

R

**ESERVEDELSLISTE
OG BRUGERVEJLEDNING**

Roerenser

Thyregod TR6



Årgang 1999

2. Udgave



Maskinfabrikken Thyregod A/s

H.A. Norlyk & Sønner A/s

Borgergade 46, Thyregod

DK-7323 Glve

Tlf: 75734099

WWW.Thyregod.com

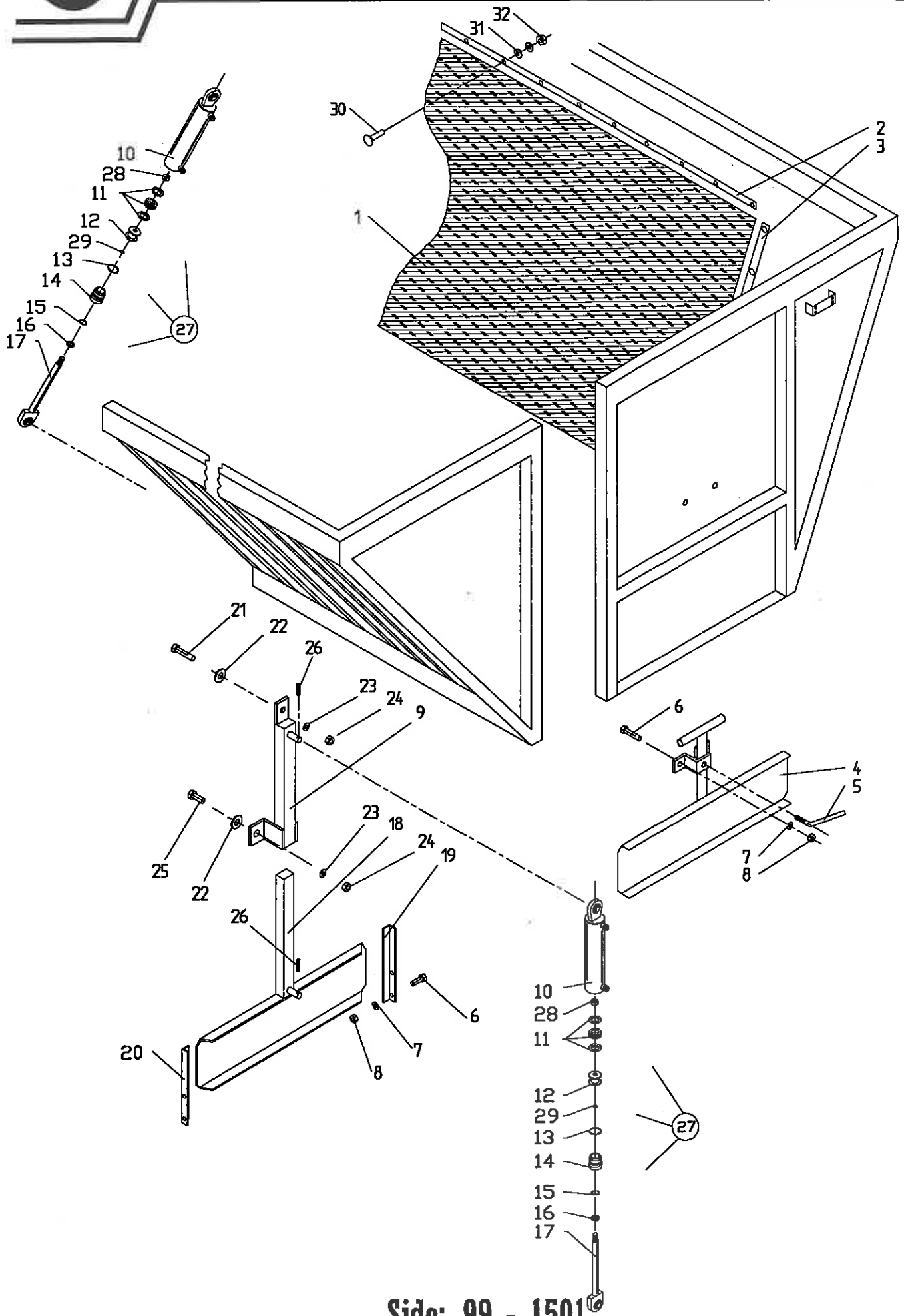
Fax: 75734492

E-mail: thyregod@industri.dk

INDHOLDSFORTEGNELSE

SIDE

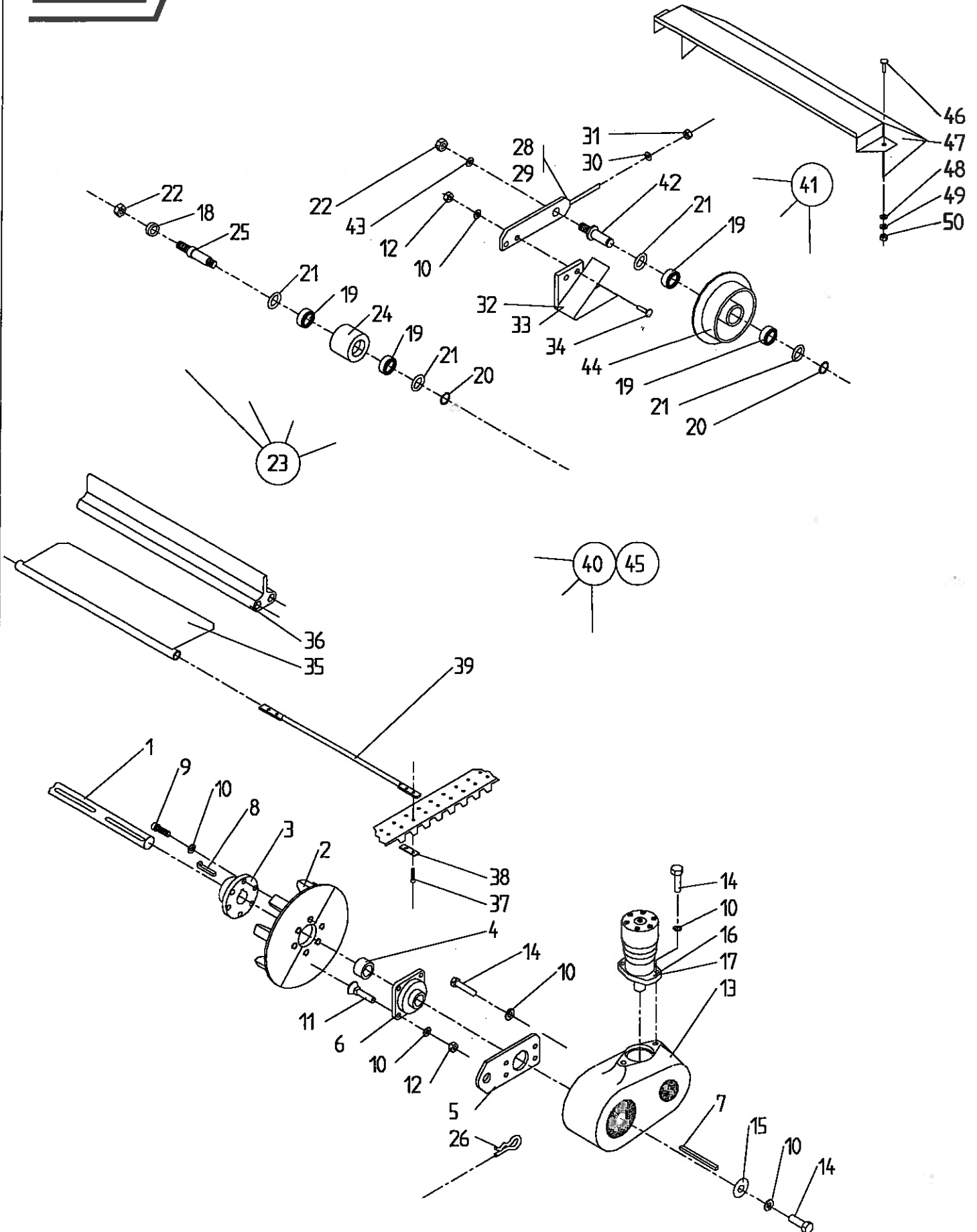
| | |
|---|-------------|
| BATTERI | 1520 |
| BRÆNDSTOFTANK | 1519 |
| CENTRALSMØRING | 1527 |
| EL - BETJENING | 1524 |
| EL - LYS | 1525 |
| GUMMIVALSEBORD..... | 1507 |
| GUMMIVALSEBORD - SKÆRME | 1508 |
| HJUL MED HJULAKSLER..... | 1526 |
| HYDRAULIK..... | 1522 |
| JERNVASEBORD..... | 1504 |
| JERNVASEBORD - SKÆRME | 1505 |
| KÆDE I TANK..... | 1502 |
| LYS OG REFLEXER..... | 1525 |
| LÆSSELEVATOR..... | 1512 |
| LÆSSELEVATOR - YDERSTE LED | 1513 |
| MOTOR | 1518 |
| MOTORSKÆRME..... | 1520 |
| STØTTEBEN - BAGERSTE | 1516 |
| STØTTEBEN - FORRESTE | 1515 |
| TANK | 1501 |
| TANKKLAP | 1501 |
| TRANSMISSION FOR KÆDE I TANK | 1502 |
| UDSTØDNING | 1519 |
| UNDERELEVATOR | 1510 |
| UNDERELEVATOR - SKÆRME | 1511 |
| INDEX..... | 1-4 |
| BRUGERVEJLEDNING | 1-19 |





TR-6

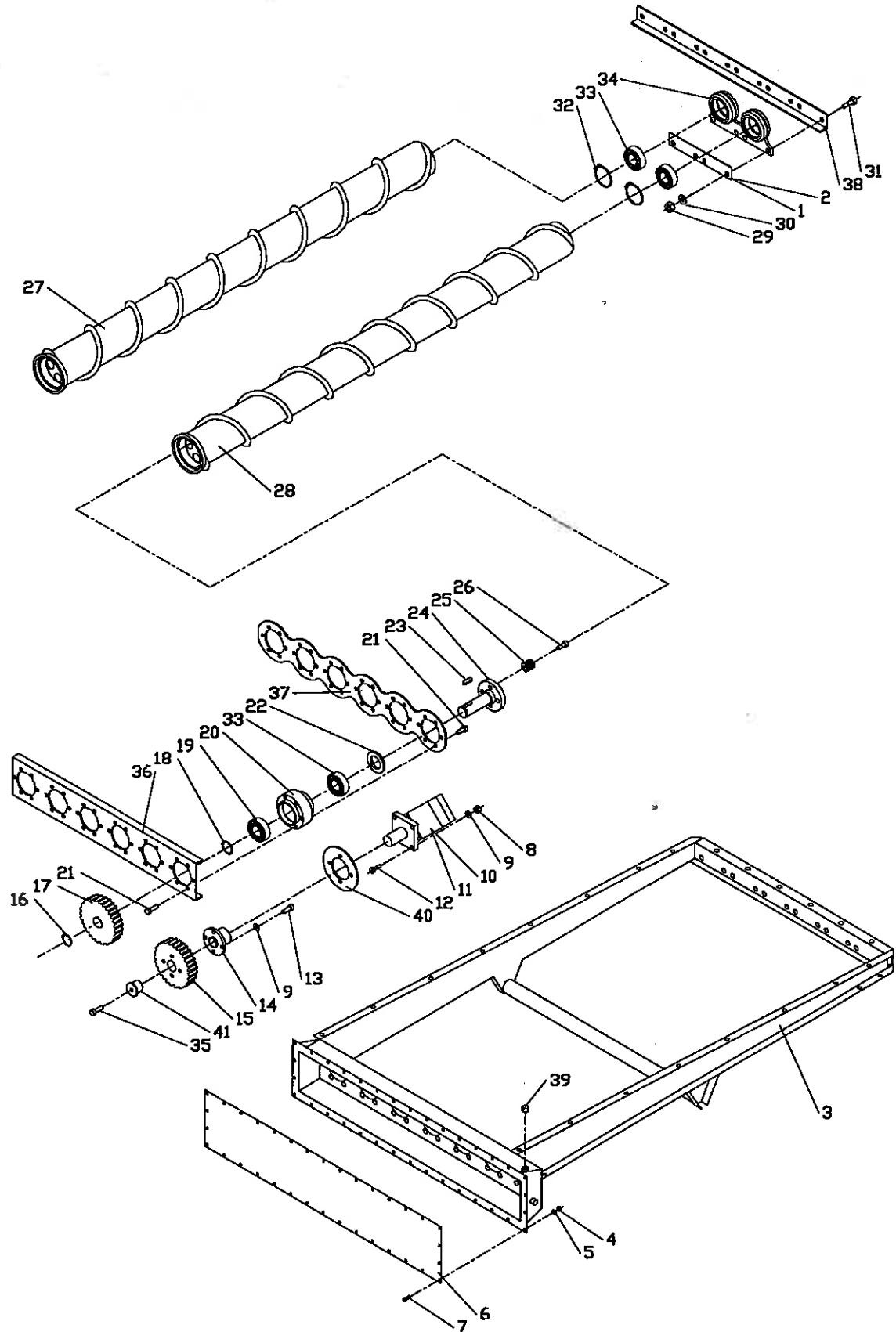
| NR. NO. NR. | BESTIL PART NO. TEIL NR. | BENÆVNELSE | DESCRIPTION | BEZEICHNUNG | BEMÆRKNING REMARKS BEMERKUNGEN |
|-------------------|--------------------------------|--------------|---------------|----------------|--------------------------------------|
| 1 | 39618950 | GUMMIPLADE | RUBBER PLATE | GUMMIPLATTE | |
| 2 | 39618960 | SKINNE | RAIL | SCHEINE | |
| 3 | 39618970 | SKINNE | RAIL | SCHEINE | |
| 4 | 39215110 | TANK KLAP | TANK PLATE | TANKPLATTE | |
| 5 | 39618890 | GEVINDSTANG | ROD | STANGE | |
| 6 | 1922628 | STÅLBOLT | BOLT | BOLZ | M10X30 |
| 7 | 1930945 | FJEDERSKIVE | SPRING WASHER | FEDERSCHEIBE | M10 |
| 8 | 1930728 | STÅLMØTRIK | NUT | MUTTER | M10 |
| 9 | 39622490 | OPLÆNG | CONSOLE | KONSOLE | |
| 10 | 855084 | CYLINDERRØR | CYLINDER | ZYLINDER | |
| 11 | 700265 | PAKNING | GASKET | PACHUNG | SIMKO 40X32X9X21 |
| 12 | 855085 | STEMPEL | PISTON | KOLBEN | |
| 13 | 700450 | O-RING | O-RING | O-RING | Ø40X3 |
| 14 | 855020 | OMLØBER | UNION NUT | ÜBERWURFMUTTER | |
| 15 | 700272 | BACK-UP RING | BACK-UP RING | MANSCHETTE | Ø25,2/20 |
| 16 | 700215 | SKRABERING | RING | RING | AS 20X30X7/10 |
| 17 | 855086 | STEMPELSTANG | PISTON ROD | KOLBENSTANGE | |
| 18 | 39622500 | TANKKLAP | TANK PLATE | TANKPLATTE | |
| 19 | 39618901 | SKINNE | RAIL | SCHEINE | |
| 20 | 39618902 | SKINNE | RAIL | SCHEINE | |
| 21 | 1922657 | STÅLBOLT | BOLT | BOLZEN | M12X70 |
| 22 | 1930927 | SPÆNDESKIVE | WASHER | SCHEIBE | M12 |
| 23 | 1930947 | FJEDERSKIVE | WASHER | SCHEIBE | M12 |
| 24 | 1930730 | STÅLMØTRIK | NUT | MUTTER | M12 |
| 25 | 1923153 | SÆTSKRUE | SET SCREW | SETZSCHRAUBE | M12X30 |
| 26 | 911574 | RØRSTIFT | ROLLER PIN | STIFT | 8X50 |
| 27 | 855016 | CYLINDER | CYLINDER | ZYLINDER | POS. 10-17,28,29 |
| 28 | 1930807 | LÅSEMØTRIK | NUT | MUTTER | M16 |
| 29 | 700401 | O-RING | O-RING | O-RING | Ø17X3 |
| 30 | 1926006 | BRÆDDEBOLT | BOLT | BOLZEN | M8X30 |
| 31 | 1930924 | SPÆNDESKIVE | WASHER | SCHEIBE | M8 |
| 32 | 1930727 | STÅLMØTRIK | NUT | MUTTER | M8 |





TR-6

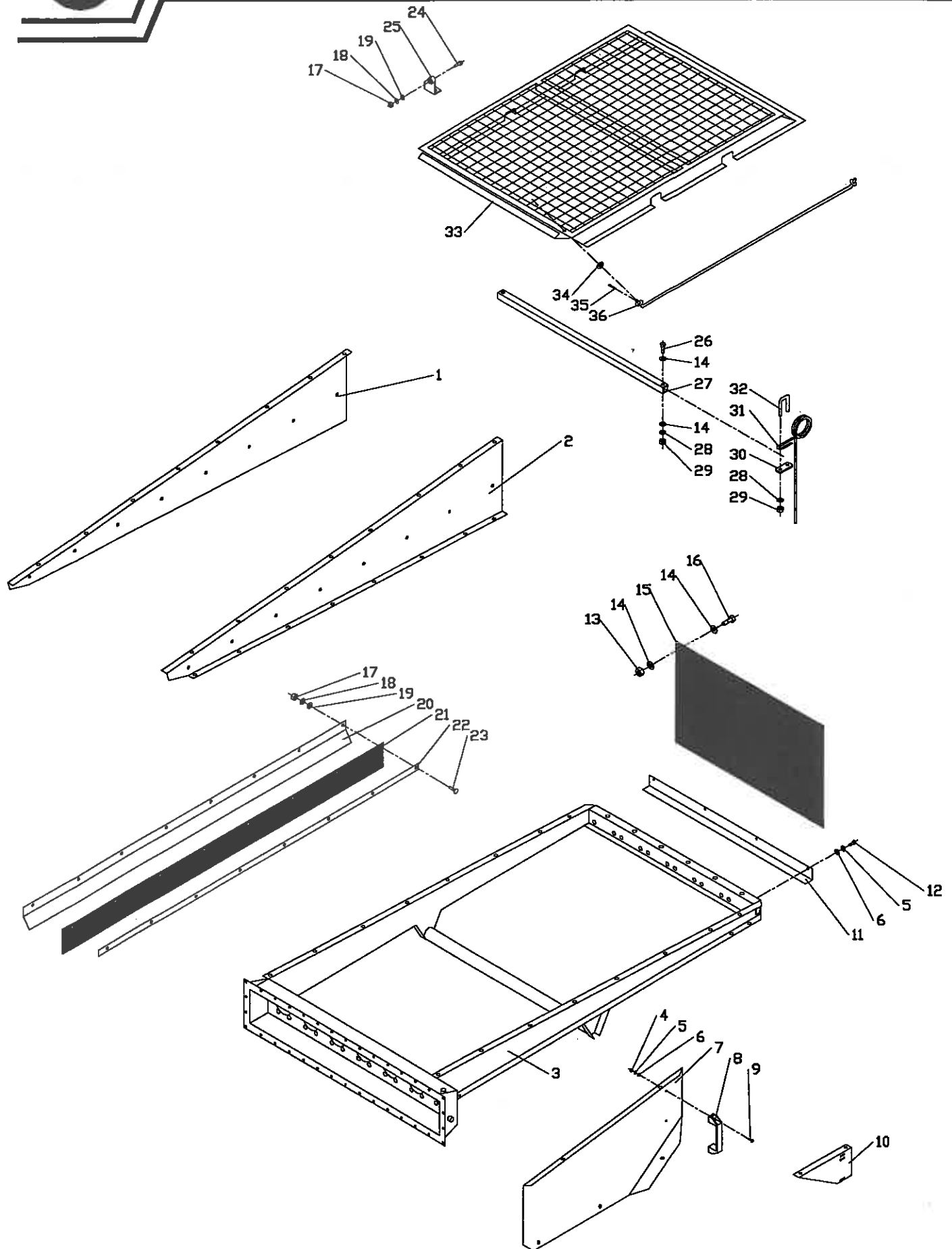
| NR. NO. NR. | BESTIL PART NO. TEIL NR. | BENÆVNELSE | DESCRIPTION | BEZEICHNUNG | BEMÆRKNING REMARKS BEMERKUNGEN |
|-------------------|--------------------------------|----------------------|--------------------|----------------------|--------------------------------------|
| 1 | 39618010 | AKSEL | SHAFT | WELLE | |
| 2 | 39215010 | KÆDEHJUL 14 TDS. | CHAIN WHEEL | KETTENRAD | |
| 3 | 39618020 | NAV | HUB | NABE | |
| 4 | 39616412 | RØR | TUBE | ROHR | |
| 5 | 15329850 | MOMENTPLADE F.GEAR | PLATE FOR GEAR | PLATTE | |
| 6 | 500964 | FLANGELEJE | FLANGED BEARING | LAGER | PCJ-40 |
| 7 | 931413 | PASFEDER | KEY | PASSFEDER | A12X8X120 |
| 8 | 931079 | HAGEKILE | KEY | PASSFEDER | 12X8X50 |
| 9 | 1905583 | UNBRACOSKRUE | CAP SCREW | IMBUSSSCHRAUBE | MC12X30 |
| 10 | 1930947 | FJEDERSKIVE | WASHER | SCHEIBE | M12 |
| 11 | 1904279 | STÅLPLOVBOLT | BOLT | BOLZ | M12X40 |
| 12 | 1930730 | STÅLMØTRIK | NUT | MUTTER | M12 |
| 13 | 851449 | GEAR | GEAR | GETRIEBE | RT-160 |
| 14 | 1902304 | STÅLBOLT | BOLT | BOLZ | M12X30 |
| 15 | 26483530 | SPÆNDESKIVE | WASHER PLATE | SPANNPLATTE | |
| 16 | 851006 | OLIEMOTOR | OIL MOTOR | ÖL-MOTOR | OMP-200 |
| 17 | 851091 | PAKNINGSSÆT | GASKET | PACHUNG | OMP |
| 18 | 26482700 | RING | RING | RING | |
| 19 | 500798 | KUGLELEJE | BALL BEARING | KUGELLAGER | 6205-2RS |
| 20 | 932025 | SEEGERRING | SNAP RING | SEEGERRING | Ø25U |
| 21 | 39620650 | SPÆNDESKIVE | WASHER | SCHEIBE | |
| 22 | 1930809 | LÅSEMØTRIK | NUT | MUTTER | M20 |
| 23 | 26482430 | BÆRERULLE KPL. | ROLLER CPL. | ROLLEN CPL. | POS. 19-25 |
| 24 | 26478590 | RULLE | ROLLER | RULLEN | |
| 25 | 26482440 | TAP | PIN | ZAPF | |
| 26 | 910334 | R-SPLIT | SPLIT | SPLINT | Ø7 |
| 27 | | | | | |
| 28 | 39618071 | STRAMMEBESLAG H. | RETAINER BAR RIGHT | SPANNBESCHLAG RECHTS | |
| 29 | 39618072 | STRAMMEBESLAG V. | RETAINER BAR LEFT | SPANNBESCHLAG LINKS | |
| 30 | 1930907 | SPÆNDESKIVE | WASHER | SCHEIBE | M12 |
| 31 | 1930805 | LÅSEMØTRIK | NUT | MUTTER | M12 |
| 32 | 39618111 | SKRABER HØJRE | SCRAPER RIGHT | SCHABER RECHTS | |
| 33 | 39618112 | SKRABER VENSTRE | SCRAPER LEFT | SCHABER LINKS | |
| 34 | 1926057 | STÅLBRÆDDEBOLT | BOLT | BOLZ | M12X45 |
| 35 | 39329240 | OPLUKKERLED | STONE TRAP | SKIN KLASPE | 3 LED |
| 36 | 39621000 | GUMMIMEDBRINGER | RUBBER CATCHER | GUMMIMITNEHMER | 6 STK |
| 37 | 1905620 | UNBRACOSKRUE | CAP SCREW | INBRAKOSCHRAUBE | MK6X25 |
| 38 | 39619120 | NITTEPLADE | RIVETING PLATE | NIEUNGSPLATTE | |
| 39 | 39618450 | KÆDESTANG MED GEVIND | ROD IRON | STANGE | |
| 40 | 39215800 | BUNDKÆDE KPL. | BELT CPL. | BAND KPL. | POS. 35-39 |
| 41 | 39618040 | VENDEHJUL KPL. | TURNING WHEEL CPL. | WENDERAD KPL. | POS. 19-22,42-44 |
| 42 | 39616840 | AKSELTAP | SHAFT PIN | ACHSZAPFEN | |
| 43 | 1930910 | SPÆNDESKIVE | WASHER | SCHEIBE | M20 |
| 44 | 24307410 | RULLE | ROLLER | RULLEN | |
| 45 | 39215809 | <i>Ref. sta.</i> | BELT CPL. | BAND KPL. | <u>REP.STK.</u> |
| 46 | 1926023 | BRÆDDEBOLT | BOLT | BOLZ | M10X25 |
| 47 | 15329450 | SKÆRM | SCREEN | SCHIRM | |
| 48 | 1930905 | SPÆNDESKIVE | WASHER | SCHEIBE | M10 |
| 49 | 1930945 | FJEDERSKIVE | WASHER | SCHEIBE | M10 |
| 50 | 1930728 | STÅLMØTRIK | NUT | MUTTER | M10 |





TR-6

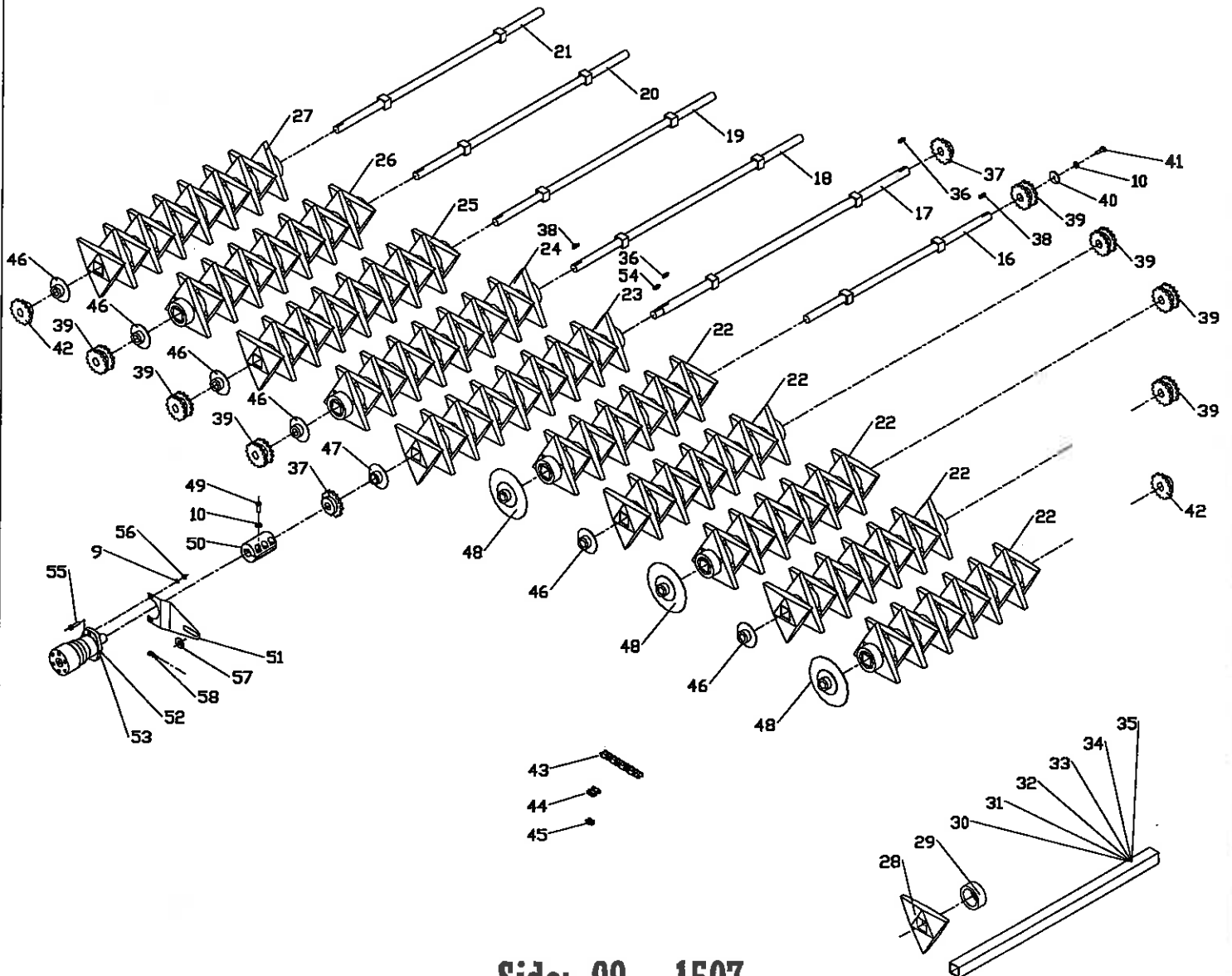
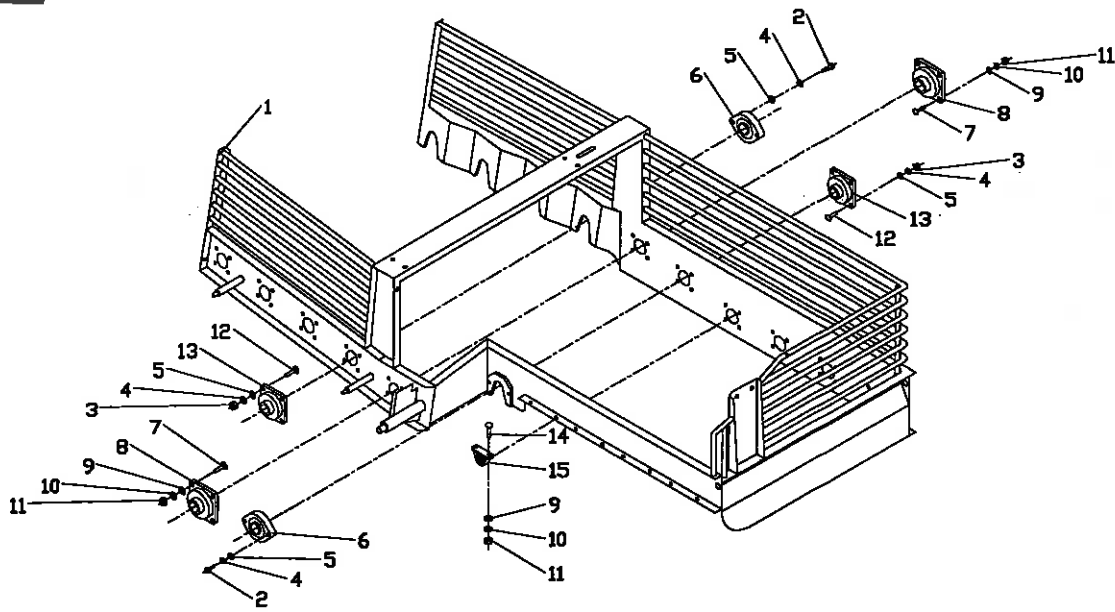
| NR. NO. NR. | BESTIL. PART NO. TRIL NR. | BENÆVNELSE | DESCRIPTION | BEZEICHNUNG | BEMÆRKNING REMARKS BEMERKUNGEN |
|-------------------|---------------------------------|------------------|--------------|----------------|--------------------------------------|
| 1 | 15652631 | MELLEMLADE | PLATE | PLATTE | 2 MM |
| 2 | 15652632 | MELLEMLADE | PLATE | PLATTE | 3 MM |
| 3 | 15106930 | JERNVASEBORD | FRAME | RAHME | |
| 4 | 1930802 | LÅSEMØTRIK | NUT | MUTTER | M8 |
| 5 | 1930924 | SPÆNDESKIVE | WASHER | SCHEIBE | M8 |
| 6 | 15329830 | LÅG | COVER | DECKEL | |
| 7 | 1923077 | STÅLBOLT | BOLT | BOLZ | M8X20 |
| 8 | 1930805 | LÅSEMØTRIK | NUT | MUTTER | M12 |
| 9 | 1930907 | SPÆNDESKIVE | WASHER | SCHEIBE | M12 |
| 10 | 851038 | OLIEMOTOR | OILMOTOR | ÖL-MOTOR | OMS-200-Ø32 |
| 11 | 851092 | PAKNINGSSÆT | GASKET | PACHUNG | OMS-Ø32 |
| 12 | 1923155 | STÅLSÆTSKRUE | BOLT | BOLZEN | M12X40 |
| 13 | 1922655 | STÅLBOLT | BOLT | BOLZ | M12X50 |
| 14 | 15650440 | NAV | HUB | NABE | |
| 15 | 15650430 | KÆDEHJUL | CHAIN WHEEL | KETTENRAD | 38 TDS. |
| 16 | 932040 | SEEGERRING | SNAP RING | SEEGERRING | U-40 |
| 17 | 15650420 | KÆDEHJUL | CHAIN WHEEL | KETTENRAD | 38 TDS. |
| 18 | 932453 | PASSKIVE | WASHER | SCHEIBE | PS40X50X0,5 |
| 19 | 500021 | KUGLELEJE | BALL BEARING | KUGELLAGER | 6208 |
| 20 | 15329780 | NAV | HUB | NABE | |
| 21 | 1906582 | UNBRACOSKRUE | SCREW | SCHRAUBE | MC LH 12X25 |
| 22 | 509119 | SIMMERING | SEAL | DICHTUNG | 50X80X10 |
| 23 | 931407 | PASFEDER | KEY | PASSFEDER | A12X8X40 |
| 24 | 15329790 | AKSEL | SHAFT | WELLE | |
| 25 | 600419 | VIBRATIONSDÆMPER | RUBBER BLOCK | GUMMIKLOTZ | Ø32X32 |
| 26 | 1905596 | UNBRACOSKRUE | SCREW | SCHRAUBE | MC16X50 |
| 27 | 15329802 | VALSE VENSTRE | ROLLER | WALSE | |
| 28 | 15329801 | VALSE HØJRE | ROLLER | WALSE | |
| 29 | 1930807 | LÅSEMØTRIK | NUT | MUTTER | M16 |
| 30 | 1930929 | SPÆNDESKIVE | WASHER | SCHEIBE | M16 |
| 31 | 1923204 | STÅLSÆTSKRUE | SCREW | SCHRAUBE | M16X40 |
| 32 | 932280 | SEEGERRING | SNAP RING | SEEGERRING | I-80 |
| 33 | 500688 | KUGLELEJE | BALL BEARING | KUGELLAGER | 6208-RS |
| 34 | 15329810 | LEJEHUS | BEARING | LAGER | |
| 35 | 1905539 | UNBRACOSKRUE | CAP SCREW | IMBUSSSCHRAUBE | MC8X50 |
| 36 | 15340620 | PLADE | PLATE | PLATTE | |
| 37 | 15340630 | PLADE | PLATE | PLATTE | |
| 38 | 15340860 | SPÆNEPLADE | PLATE | PLATTE | |
| 39 | 940004 | RØRPROP | PLUG | PROPFEN | |
| 40 | 15653170 | SKIVE | WASHER | SCHEIBE | |
| 41 | 15653000 | LÅSEKLUMP | BLOCK | KLOTZ | |





TR-6

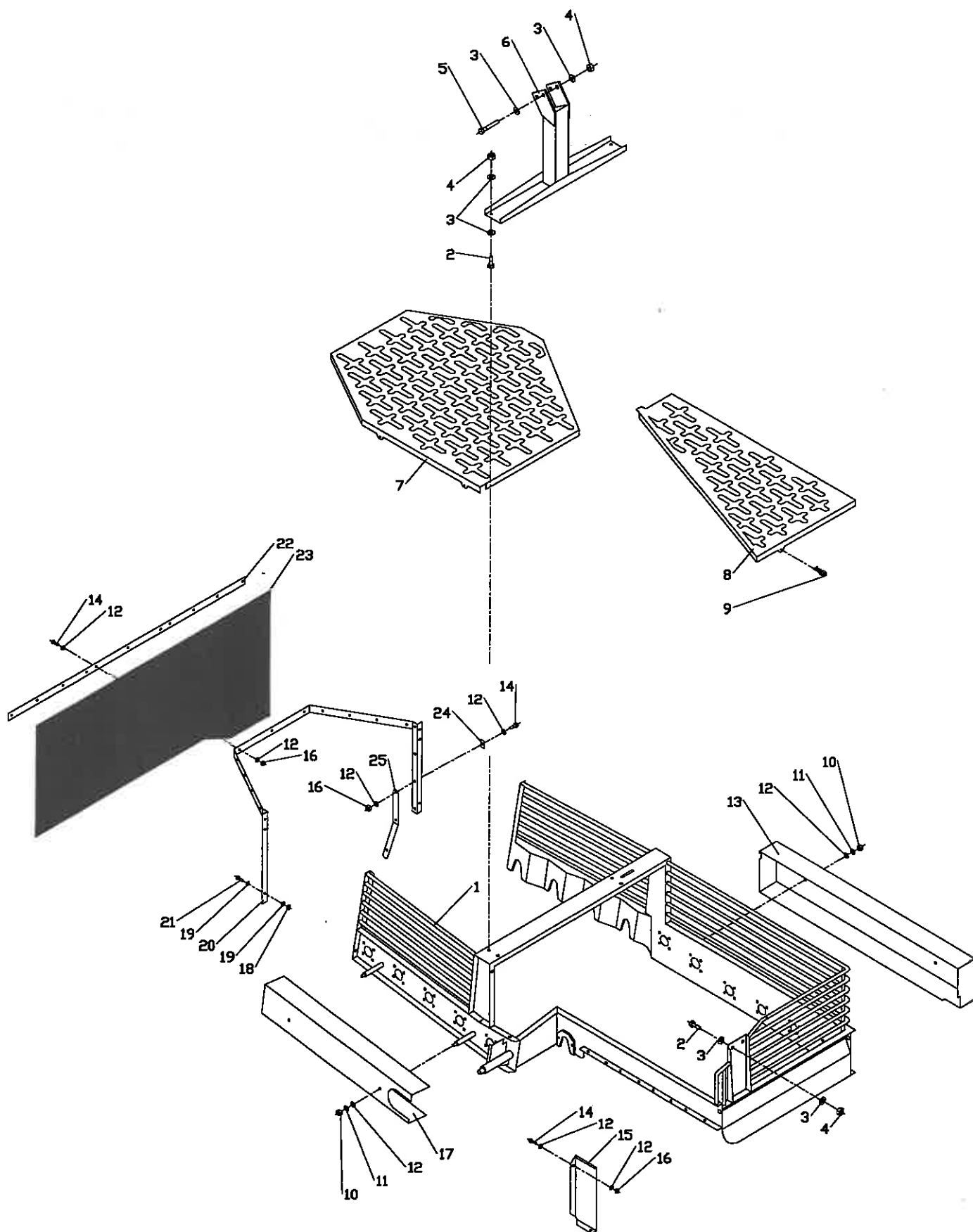
| NR. NO. NR. | BESTIL PART NO. TEIL NR. | BENÆVNELSE | DESCRIPTION | BEZEICHNUNG | BEMÆRKNING REMARKS BEMERKUNGEN |
|-------------------|--------------------------------|---------------|---------------|--------------|--------------------------------------|
| 1 | 15329841 | SKÆRM | SCREEN | SCHIRM | |
| 2 | 15329842 | SKÆRM | SCREEN | SCHIRM | |
| 3 | 15106930 | JERNVÅLSEBORD | FRAME | RAHME | |
| 4 | 1930726 | STÅLMØTRIK | NUT | MUTTER | M6 |
| 5 | 1930943 | FJEDERSKIVE | WASHER | SCHEIBE | M6 |
| 6 | 1930923 | SPÆNDESKIVE | WASHER | SCHEIBE | M6 |
| 7 | 15215970 | SKÆRM | SCREEN | SCHIRM | |
| 8 | 803066 | HÅNDTAG | HANDLE | HANDGRIFF | |
| 9 | 1923052 | STÅLSÆTSKRUE | SET SCREW | SETZSCHRAUBE | M6X20 |
| 10 | 15651550 | BESLAG | CONSOLE | KONSOLE | |
| 11 | 15340650 | SKÆRM | SCREEN | SCHIRM | |
| 12 | 1923053 | STÅLSÆTSKRUE | SCREW | SCHRAUBE | M6X25 |
| 13 | 1930803 | LÅSEMØTRIK | NUT | MUTTER | M10 |
| 14 | 1930905 | SPÆNDESKIVE | WASHER | SCHEIBE | M10 |
| 15 | 15654190 | GUMMIPLADE | RUBBER PLATE | GUMMIPLATTE | |
| 16 | 1922627 | STÅLSÆTSKRUE | SCREW | SCHRAUBE | M10X25 |
| 17 | 1930727 | STÅLMØTRIK | NUT | MUTTER | M8 |
| 18 | 1930944 | FJEDERSKIVE | SPRING WASHER | FEDERSCHEIBE | M8 |
| 19 | 1930924 | SPÆNDESKIVE | WASHER | SCHEIBE | M8 |
| 20 | 15652150 | SKINNE | RAIL | SCHIENE | |
| 21 | 15652160 | GUMMIPLADE | RUBBER PLATE | GUMMIPLATTE | |
| 22 | 15652140 | SKINNE | RAIL | SCHIENE | |
| 23 | 1926005 | BRÆDDEBOLT | BOLT | BOLT | M8X25 |
| 24 | 1923082 | STÅLSÆTSKRUE | SCREW | SCHRAUBE | M8X45 |
| 25 | 15651390 | HÆNGSEL | HOLDER | HALTER | |
| 26 | 1922632 | STÅLSÆTSKRUE | SCREW | SCHRAUBE | M10X50 |
| 27 | 15651480 | PROFIL | CONSOLE | KONSOLE | |
| 28 | 1930945 | FJEDERSKIVE | WASHER | SCHEIBE | M10 |
| 29 | 1930728 | STÅLMØTRIK | NUT | MUTTER | M10 |
| 30 | 90406370 | SPÆNDEBESLAG | HOLDER | HALTER | |
| 31 | 15301971 | FJEDERTAND | SPRING | FEDER | |
| 32 | 90414950 | BØJLE | SCHACKLE | BÜGEL | |
| 33 | 15340120 | TRÅDSKÆRM | SCREEN | SCHIRM | |
| 34 | 1930907 | SPÆNDESKIVE | WASHER | SCHEIBE | M12 |
| 35 | 910764 | SPLIT | PIN | STIFT | Ø5X40 |
| 36 | 15654210 | STANG | ROD | STANGE | |





TR-6

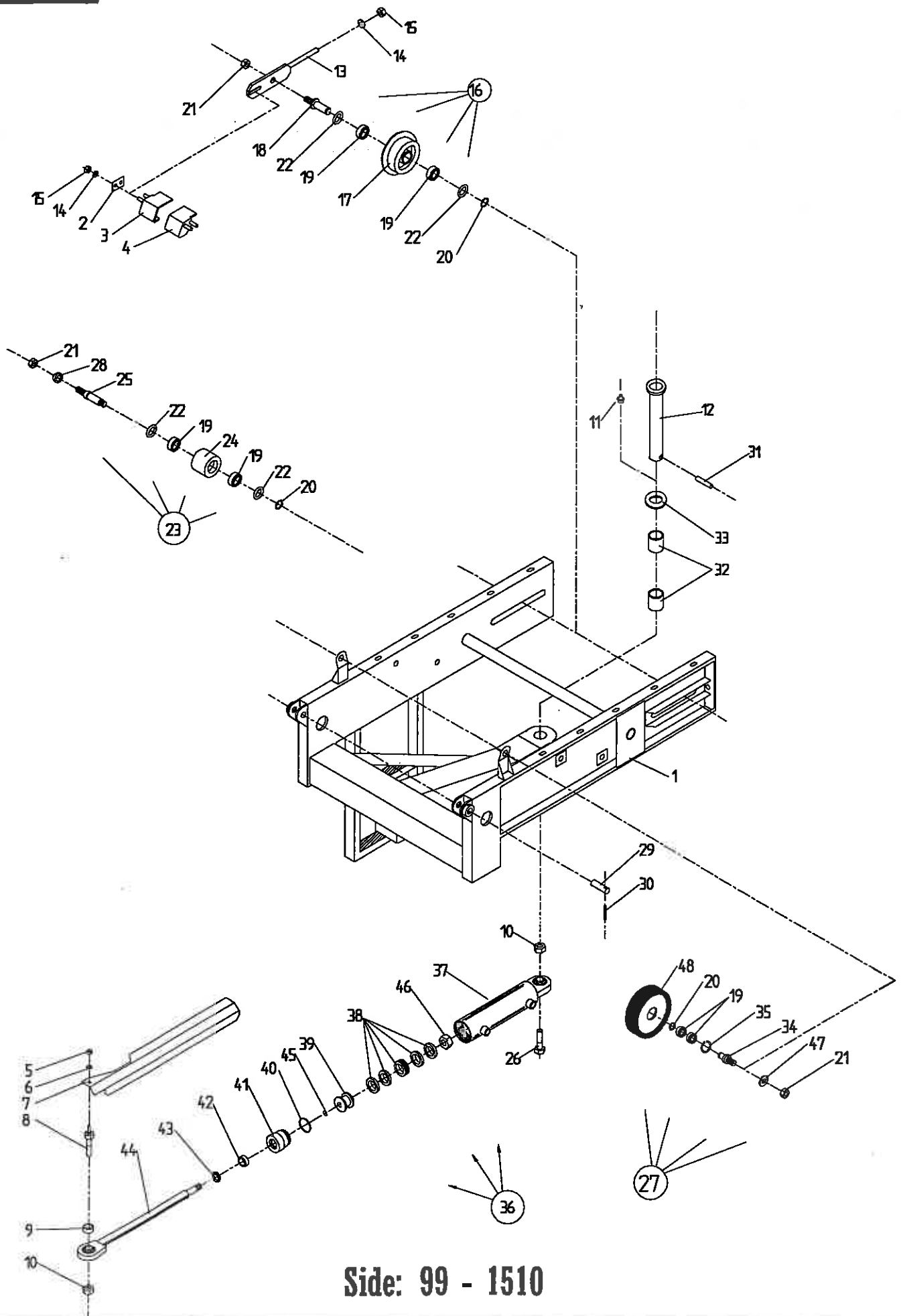
| NR. NO. NR. | BESTIL. PART NO. TEIL NR. | BENÆVNELSE | DESCRIPTION | BEZEICHNUNG | BEMÆRKNING REMARKS BEMERKUNGEN |
|-------------------|---------------------------------|-----------------|--------------------|-----------------|--------------------------------------|
| 1 | 15107000 | RAMME | FRAME | RAHME | |
| 2 | 1923103 | STÅLSÆTSKRUE | SET SCREW | SETZSCHRAUBE | M10X25 |
| 3 | 1930728 | STÅLMØTRIK | NUT | MUTTER | M10 |
| 4 | 1930945 | FJEDERSKIVE | WASHER | SCHEIBE | M10 |
| 5 | 1930905 | SPÆNDESKIVE | WASHER | SCHEIBE | M10 |
| 6 | 500982 | FLANGELEJE | BEARING | LAGER | GLCTE 30 |
| 7 | 1926054 | STÅLBRÆDDEBOLT | BOLT | BOLZEN | M12X30 |
| 8 | 500963 | FLANGELEJE | BEARING | LAGER | PCJ-35 |
| 9 | 1930907 | SPÆNDESKIVE | WASHER | SCHEIBE | M12 |
| 10 | 1930947 | FJEDERSKIVE | SPRING WASHER | FEDERSCHEIBE | M12 |
| 11 | 1930730 | STÅLMØTRIK | NUT | MUTTER | M12 |
| 12 | 1926023 | STÅLBRÆDDEBOLT | BOLT | BOLZEN | M10X25 |
| 13 | 500962 | FLANGELEJE | BEARING | LAGER | PCJ-30 |
| 14 | 1922653 | STÅLSÆTSKRUE | SET SCREW | SETZSCHRAUBE | M12X40 |
| 15 | 500932 | STÅLEJE | BEARING | LAGER | PASE 30 |
| 16 | 15652885 | AKSEL | SHAFT | WELLE | |
| 17 | 15652860 | AKSEL | SHAFT | WELLE | |
| 18 | 15652881 | AKSEL | SHAFT | WELLE | |
| 19 | 15652882 | AKSEL | SHAFT | WELLE | |
| 20 | 15652883 | AKSEL | SHAFT | WELLE | |
| 21 | 15652884 | AKSEL | SHAFT | WELLE | |
| 22 | 15340760 | GUMMIVALSE KPL. | RUBBER ROLLER CPL. | GUMMIWALZE KPL. | POS. 28-30 |
| 23 | 15340770 | GUMMIVALSE KPL. | RUBBER ROLLER CPL. | GUMMIWALZE KPL. | POS. 28-29,31 |
| 24 | 15340780 | GUMMIVALSE KPL. | RUBBER ROLLER CPL. | GUMMIWALZE KPL. | POS. 28-29,32 |
| 25 | 15340790 | GUMMIVALSE KPL. | RUBBER ROLLER CPL. | GUMMIWALZE KPL. | POS. 28-29,33 |
| 26 | 15340800 | GUMMIVALSE KPL. | RUBBER ROLLER CPL. | GUMMIWALZE KPL. | POS. 28-29,34 |
| 27 | 15340810 | GUMMIVALSE KPL. | RUBBER ROLLER CPL. | GUMMIWALZE KPL. | POS. 28-29,35 |
| 28 | 39215160 | TREKANT | TRIANGLE ROLLER | DREIECK ROLLEN | |
| 29 | 15620925 | BØSNING | BUSH | BUSCHE | 37,5MM |
| 30 | 15616934 | PROFIL | CONSOLE | KONSOLE | L=812 |
| 31 | 15616933 | PROFIL | CONSOLE | KONSOLE | L=1080 |
| 32 | 15616935 | PROFIL | CONSOLE | KONSOLE | L=1045 |
| 33 | 15616936 | PROFIL | CONSOLE | KONSOLE | L=1010 |
| 34 | 15616937 | PROFIL | CONSOLE | KONSOLE | L=975 |
| 35 | 15616938 | PROFIL | CONSOLE | KONSOLE | L=940 |
| 36 | 931384 | PASFEDER | KEY | PASFEDER | A10X8X40 |
| 37 | 28621680 | KÆDEHJUL | CHAIN WHEEL | KETTENRAD | 15 TDR. |
| 38 | 931366 | PASFEDER | KEY | PASFEDER | ASX7X40 |
| 39 | 39617000 | KÆDEHJUL | CHAIN WHEEL | KETTENRAD | 2X15 TDR. |
| 40 | 26483530 | SKIVE | WASHER | SCHEIBE | |
| 41 | 1923151 | STÅLSÆTSKRUE | SCREW | SCHRAUBE | M12X20 |
| 42 | 25438860 | KÆDEHJUL | CHAIN WHEEL | KETTENRAD | 15 TDR. |
| 43 | 503007 | RULLEKÆDE | CHAIN | KETTE | 3/4" 36 LED |
| 44 | 503004 | SAMLELED | JOINT LINK | SAMMELGLIED | 3/4" SVÆR |
| 45 | 503005 | FORKRØBBET LED | JOINT LINK | SAMMELGLIED | 3/4" SVÆR |
| 46 | 39620890 | SKIVE | WASHER | SCHEIBE | |
| 47 | 15654160 | SKIVE | WASHER | SCHEIBE | |
| 48 | 39622110 | SKIVE | WASHER | SCHEIBE | |
| 49 | 1905583 | UNBRACOSKRUE | CAP SCREW | IMBUSSSCHRAUBE | MC12X30 |
| 50 | 26320500 | MUFFEKOBLING | BUSH | BUCHSE | Ø32-32 |
| 51 | 28628280 | MOMENTPLADE | PLATE | PLATTE | |
| 52 | 851042 | OLIEMOTOR KPL. | OIL MOTOR CPL. | ÖL-MOTOR KPL. | OMR-250-Ø32 |
| 53 | 851094 | PAKNINGSSÆT | GASKET CPL. | PACKUNG KPL. | OMR |
| 54 | 931386 | PASFEDER | KEY | PASFEDER | A10X8X50 |
| 55 | 1923154 | SÆTSKRUE | SCREW | SCHRAUBE | M12X35 |
| 56 | 1930805 | LÅSEMØTRIK | NUT | MUTTER | M12 |
| 57 | 1930910 | SPÆNDESKIVE | WASHER | SPANNSCHEIBE | M20 |
| 58 | 910329 | R-SPLIT | SPLIT | SPLINT | Ø5 |





TR-6

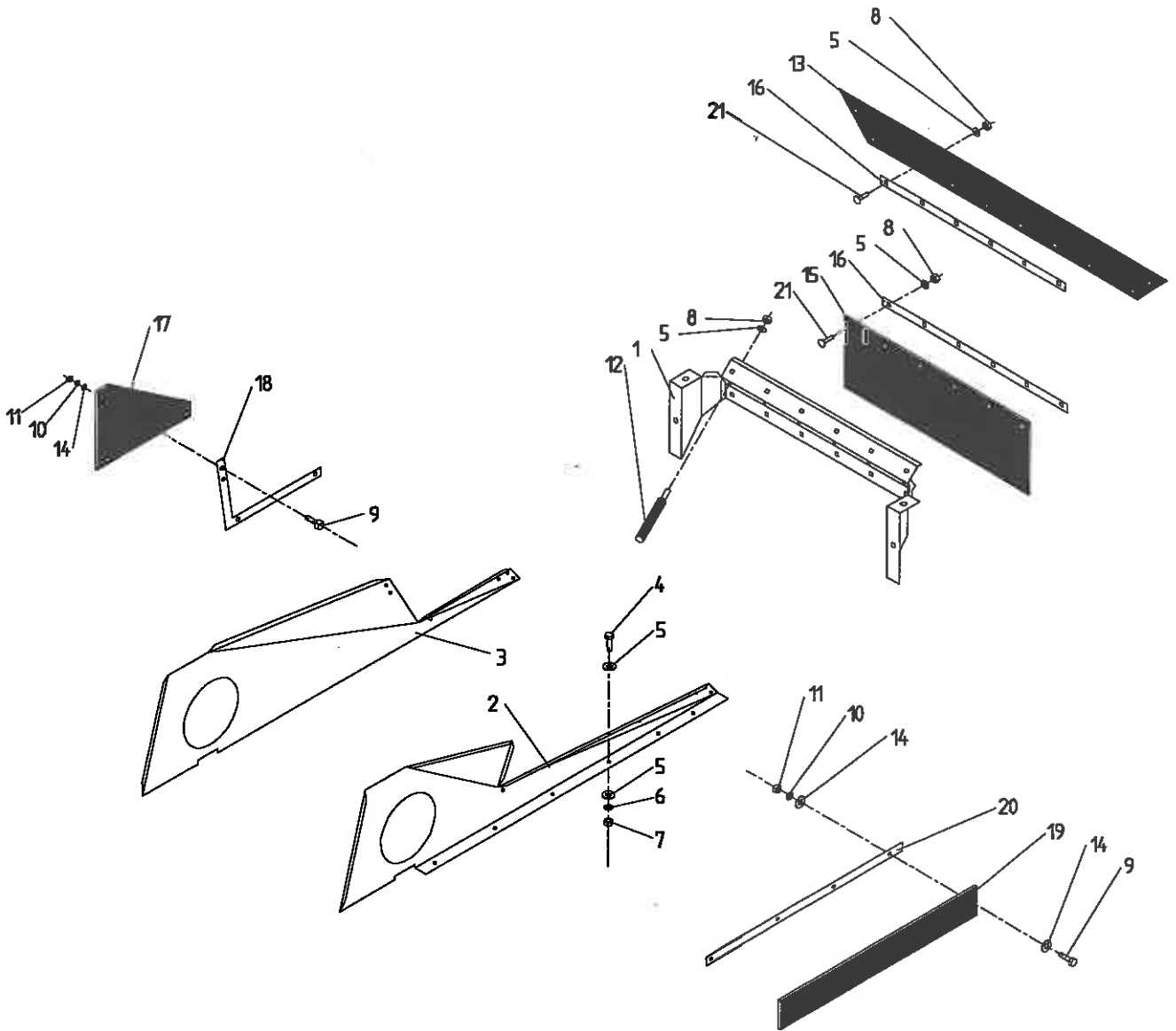
| NR. NO. NR. | BESTIL. PART NO. TEIL NR. | BENÆVNELSE | DESCRIPTION | BEZEICHNUNG | BEMÆRKNING REMARKS BEMERKUNGEN |
|-------------------|---------------------------------|--------------|--------------|--------------|--------------------------------------|
| 1 | 15107000 | RAMME | FRAME | RAHME | |
| 2 | 1923202 | STÅLSÆTSKRUE | SCREW | SCHRAUBE | M16X30 |
| 3 | 1930929 | SPÆNDESKIVE | WASHER | SCHEIBE | M16 |
| 4 | 1930807 | LÅSEMØTRIK | NUT | MUTTER | M16 |
| 5 | 1922710 | STÅLBOLT | BOLT | BOLZ | M16X120 |
| 6 | 15651560 | OPHLÆNG | CONSOLE | KONSOLE | |
| 7 | 15340840 | SKÆRM | SCREEN | SCHIRM | |
| 8 | 15340850 | SKÆRM | SCREEN | SCHIRM | |
| 9 | 910329 | R-SPLIT | SPLIT | SPLINT | Ø5 |
| 10 | 1930728 | STÅLMØTRIK | NUT | MUTTER | M10 |
| 11 | 1930945 | FJEDERSKIVE | WASHER | SCHEIBE | M10 |
| 12 | 1930905 | SPÆNDESKIVE | WASHER | SCHEIBE | M10 |
| 13 | 15340720 | SKÆRM | SCREEN | SCHIRM | |
| 14 | 1923103 | STÅLSÆTSKRUE | SET SCREW | SETZSCHRAUBE | M10X25 |
| 15 | 15340710 | SKÆRM | SCREEN | SCHIRM | |
| 16 | 1930803 | LÅSEMØTRIK | NUT | MUTTER | M10 |
| 17 | 15340740 | SKÆRM | SCREEN | SCHIRM | |
| 18 | 1930802 | LÅSEMØTRIK | NUT | MUTTER | M8 |
| 19 | 1930904 | SPÆNDESKIVE | WASHER | SCHEIBE | M8 |
| 20 | 15340820 | SKÆRM | SCREEN | SCHIRM | |
| 21 | 1923079 | STÅLSÆTSKRUE | SET SCREW | SETZSCHRAUBE | M8X30 |
| 22 | 15652930 | SKINNE | RAIL | SCHIENE | |
| 23 | 15340830 | GUMMIPLADE | RUBBER PLATE | GUMMIPLATTE | |
| 24 | 15654200 | SPÆNDESKIVE | WASHER | SCHEIBE | |
| 25 | 15652920 | VINGE | PLATE | PLATTE | |





TR-6

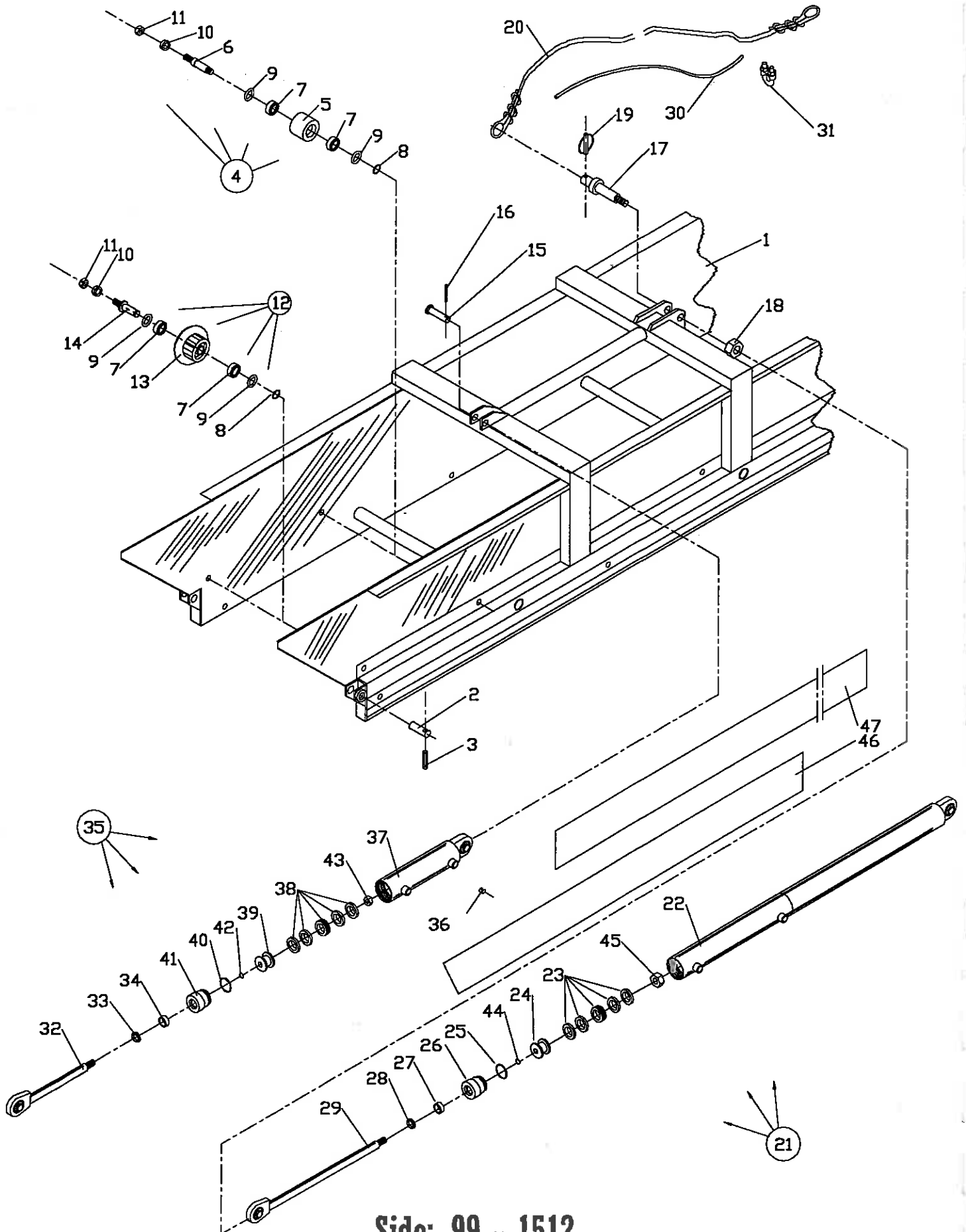
| NR. NO. NR. | BESTIL. PART NO. TEIL NR. | BENÆVNELSE | DESCRIPTION | BEZEICHNUNG | BEMÆRKNING REMARKS BEMERKUNGEN |
|-------------------|---------------------------------|------------------|--------------------|----------------|--------------------------------------|
| 1 | 15106920 | UNDERELEVATOR | ELEVATOR | ELEVATOR | |
| 2 | 39628420 | SPÆNDEPLADE | PLATE | PLATTE | |
| 3 | 39329511 | SKRABER HØJRE | SCRAPER RIGHT | SCHABER RECHTS | |
| 4 | 39329512 | SKRABER VENSTRE | SCRAPER LEFT | SCHABER LINKS | |
| 5 | 1930728 | STÅLMØTRIK | NUT | MUTTER | M10 |
| 6 | 1930945 | FJEDERSKIVE | WASHER | SCHEIBE | M10 |
| 7 | 15340520 | SKÆRM | SCREEN | SCHIRM | |
| 8 | 39619270 | BOLT F. CYLINDER | BOLT | BOLZEN | |
| 9 | 39622240 | AFSTANDSBØSNING | BUSH | BUSCHE | |
| 10 | 1930610 | LÅSEMØTRIK | NUT | MUTTER | M24 CADM. |
| 11 | 501802 | SMØRENIPPEL | GREASE FITTING | SCHMIERNIPPEL | 1/8"RG |
| 12 | 39616790 | AKSEL | SHAFT | WELLE | |
| 13 | 39628460 | STRAMMEBESLAG | TENSION FITTING | SPANNBESCHLAG | |
| 14 | 1930947 | FJEDERSKIVE | WASHER | SCHEIBE | M12 |
| 15 | 1930730 | STÅLMØTRIK | NUT | MUTTER | M12 |
| 16 | 39616830 | VENDEHJUL KPL. | TURNING WHEEL CPL. | WENDERAD KPL. | POS. 17-22 |
| 17 | 39326780 | RULLE | ROLLER | ROLLEN | |
| 18 | 39616840 | TAP | PIN | ZAPF | |
| 19 | 500798 | KUGLELEJE | BALL BEARING | KUGELLAGER | 6205-2RS |
| 20 | 932025 | SEEGERRING | SNAP RING | SEEGERRING | Ø25U |
| 21 | 1930809 | LÅSEMØTRIK | NUT | MUTTER | M20 |
| 22 | 39620650 | SPÆNDESKIVE | WASHER | SCHEIBE | |
| 23 | 26482430 | BÆRERULLE KPL. | ROLLER CPL. | ROLLEN KPL. | POS. 19-25 |
| 24 | 26478590 | RULLE | ROLLER | ROLLEN | |
| 25 | 26482440 | TAP | PIN | ZAPFEN | |
| 26 | 39619200 | BOLT F. CYLINDER | BOLT | BOLZEN | |
| 27 | 15340610 | SKRÅRULLE KPL. | ROLLER CPL. | ROLLEN KPL. | POS.19-21,34,35,47,48 |
| 28 | 26482700 | RING | RING | RING | |
| 29 | 39616570 | TAP | PIN | ZAPF | |
| 30 | 911672 | RØRSTIFT | ROLLER PIN | STIFT | Ø10X40 |
| 31 | 911678 | RØRSTIFT | ROLLER PIN | STIFT | Ø10X70 |
| 32 | 25455390 | BRONZEBØSNING | BUSH | BUCHSE | |
| 33 | 25466360 | SKIVE | WASHER | SCHEIBE | |
| 34 | 15652000 | TAP | PIN | ZAPF | |
| 35 | 932252 | SEEGERRING | SNAP RING | SEEGERRING | Ø52I |
| 36 | 855047 | CYLINDER KPL. | CYLINDER CPL. | ZYLINDER KPL. | POS. 37-46 |
| 37 | 855081 | CYLINDERRØR | CYLINDER | ZYLINDER | |
| 38 | 700267 | PAKNING | GASKET | PACHUNG | SIMKO 320 75X55X22,5X5,2 |
| 39 | 855082 | STEMPEL | PISTON ROD | KOLBEN | |
| 40 | 700505 | O-RING | O-RING | O-RING | Ø71X3 |
| 41 | 855050 | OMLØBER | UNION NUT | ÜBERWURFMUTTER | |
| 42 | 509083 | PAKNING | GASKET | PACHUNG | SI 35X45X10 |
| 43 | 700233 | SKRABER | SCRAPER | SCHABER | AS 35X45X7/10 |
| 44 | 855083 | STEMPELSTANG | PISTON ROD | KOLBENSTANGE | |
| 45 | 700432 | O-RING | O-RING | O-RING | Ø25X3 |
| 46 | 1930810 | LÅSEMØTRIK | NUT | MUTTER | M24 |
| 47 | 1930930 | SPÆNDESKIVE | WASHER | SCHEIBE | M20 |
| 48 | 15651990 | SKRÅRULLE | ROLLER | ROLLEN | |





TR-6

| NR. NO. NR. | BESTIL PART NO. TEIL NR. | BENÆVNELSE | DESCRIPTION | BEZEICHNUNG | BEMÆRKNING REMARKS BEMERKUNGEN |
|-------------------|--------------------------------|-------------|--------------|-------------|--------------------------------------|
| 1 | 15340510 | BAGSKÆRM | HOLDER | HALTER | |
| 2 | 15340600 | SIDEPLADE | PLATE | PLATTE | |
| 3 | 15340590 | SIDEPLADE | PLATE | PLATTE | |
| 4 | 1926023 | BRÆDDEBOLT | BOLT | BOLZ | M10X25 |
| 5 | 1930905 | SPÆNDESKIVE | WASHER | SCHEIBE | M10 |
| 6 | 1930945 | FJEDERSKIVE | WASHER | SCHEIBE | M10 |
| 7 | 1930728 | STÅLMØTRIK | NUT | MUTTER | M10 |
| 8 | 1930803 | LÅSEMØTRIK | NUT | MUTTER | M10 |
| 9 | 1926005 | BRÆDDEBOLT | BOLT | BOLT | M8X25 |
| 10 | 1930944 | FJEDERSKIVE | WASHER | SCHEIBE | M8 |
| 11 | 1930727 | STÅLMØTRIK | NUT | MUTTER | M8 |
| 12 | 64416700 | GUMMIFINGER | RUBBER | GUMMI | |
| 13 | 15652320 | GUMMIPLADE | RUBBER PLATE | GUMMIPLATTE | |
| 14 | 1930924 | SPÆNDESKIVE | WASHER | SCHEIBE | M8 |
| 15 | 15652300 | GUMMIPLADE | RUBBER PLATE | GUMMIPLATTE | |
| 16 | 15652310 | SKINNE | RAIL | SCHEINE | |
| 17 | 15652360 | GUMMIPLADE | RUBBER PLATE | GUMMIPLATTE | |
| 18 | 15652380 | SKINNE | RAIL | SCHEINE | |
| 19 | 15652350 | GUMMIPLADE | RUBBER PLATE | GUMMIPLATTE | |
| 20 | 15652370 | SKINNE | RAIL | SCHEINE | |
| 21 | 1926024 | BRÆDDEBOLT | BOLT | BOLZ | M10X30 |





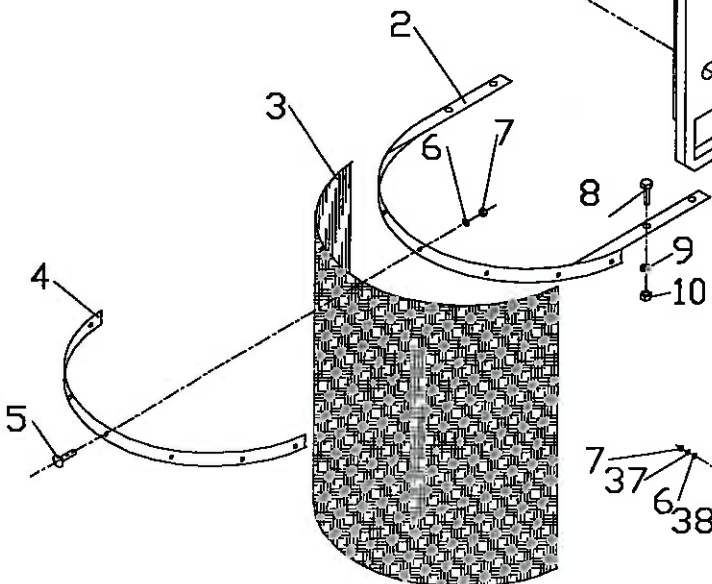
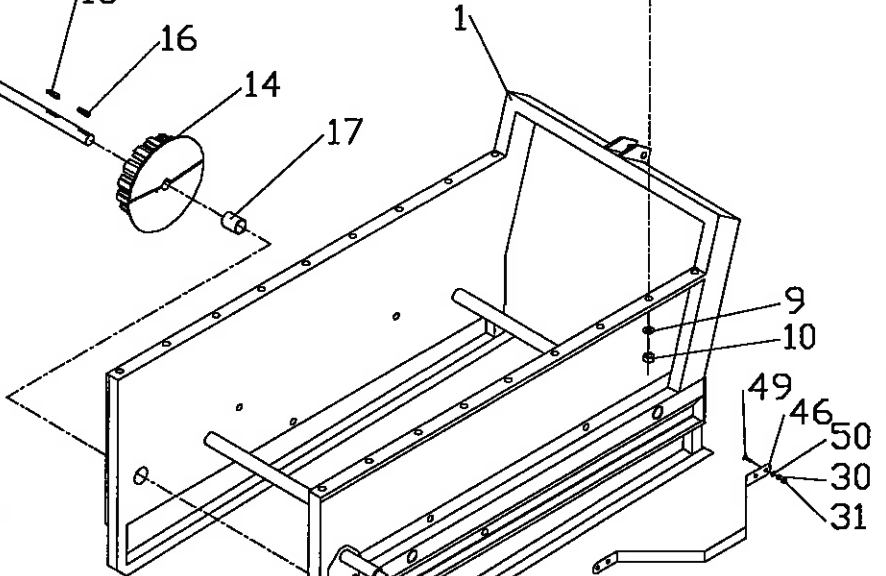
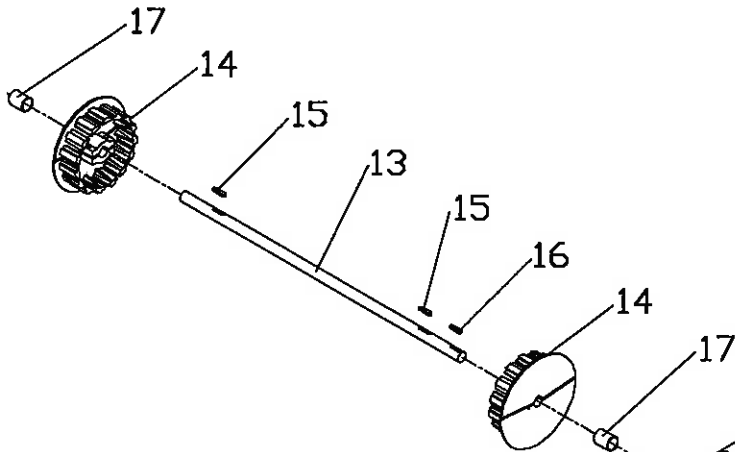
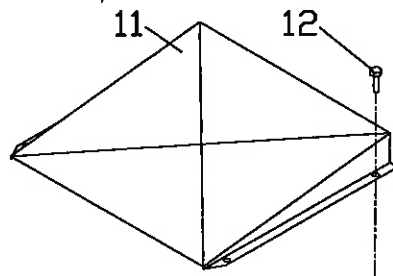
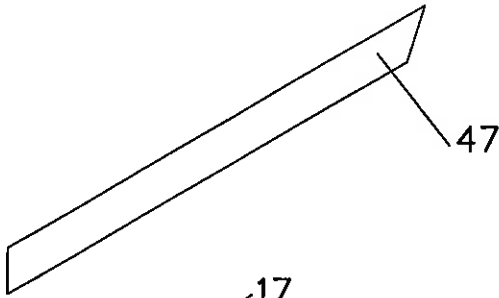
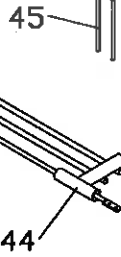
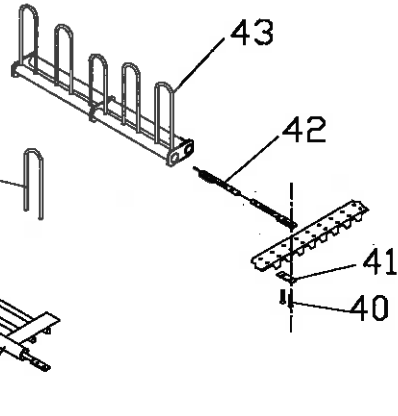
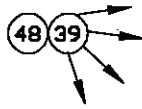
TR-6

| NR. NO. NR. | BESTIL. PART NO. TEIL NR. | BENÆVNELSE | DESCRIPTION | BEZEICHNUNG | BEMÆRKNING REMARKS BEMERKUNGEN |
|-------------------|---------------------------------|--------------------|---------------|----------------|--------------------------------------|
| 1 | 39106270 | STOR ELEVATOR | ELEVATOR | ELEVATOR | |
| 2 | 39616570 | TAP | PIN | ZAPF | |
| 3 | 911672 | RØRSTIFT | ROLLER PIN | STIFT | Ø10X40 |
| 4 | 26482430 | BÆRERULLE KPL. | ROLLER CPL. | ROLLER KPL. | POS. 5-9,11 |
| 5 | 26478590 | RULLE | ROLLER | ROLLEN | |
| 6 | 26482440 | AKSELTAP | SHAFT PIN | ACHSZAPF | |
| 7 | 500798 | KUGLELEJE | BALL BEARING | KUGLELLAGER | 6205-2RS |
| 8 | 932025 | SEGERING | SNAP RING | SEGGERRING | Ø25U |
| 9 | 39620650 | SPÆNDESKIVE | WASHER | SCHEIBE | |
| 10 | 26482700 | RING | RING | RING | |
| 11 | 1930809 | LÅSEMØTRIK | NUT | MUTTER | M20 |
| 12 | 39616850 | BÆRERULLE KPL. | ROLLER CPL. | ROLLEN KPL. | POS. 7-9,11-14 |
| 13 | 63412880 | RULLE | ROLLER | ROLLEN | |
| 14 | 39616840 | TAP | PIN | ZAPF | |
| 15 | 25455560 | BOLT | BOLT | BOLZ | |
| 16 | 910762 | SPLIT | SPLIT | SPLINT | Ø5X30 |
| 17 | 27609840 | BOLT | BOLT | BOLZ | |
| 18 | 1930810 | LÅSEMØTRIK | NUT | MUTTER | M24 |
| 19 | 910980 | TRAKTORSPLIT | LINCH PIN | KLAPPSPLINT | Ø10 |
| 20 | 39620990 | STÅLKABEL KPL. | CABLE CPL. | KABEL KPL. | POS. 30-31 |
| 21 | 855042 | CYLINDER KPL. | CYLINDER CPL. | ZYLINDER KPL. | POS. 22-29,44-45 |
| 22 | 855070 | CYLINDERRØR | CYLINDER | ZYLINDER | |
| 23 | 700267 | PAKNING | GASKET | PACHUNG | SIMKO 320 75X55X22,5X5,2 |
| 24 | 855071 | STEMPEL | PISTON | KOLBEN | |
| 25 | 700505 | O-RING | O-RING | O-RING | Ø71X3 |
| 26 | 855045 | OMLØBER | UNION NUT | ÜBERWURFMUTTER | |
| 27 | 700282 | PAKNING | GASKET | PACHUNG | NI-300 35X45X10 |
| 28 | 700233 | SKRABERING | SCRAPER | SCHABER | AS 35X45X7/10 |
| 29 | 855072 | STEMPELSTANG | PISTON ROD | KOLBENSTANGE | |
| 30 | 39620995 | GUMMISNOR | RUBBER STRAP | GUMMIBAND | 1000 MM |
| 31 | 912006 | WIRELÅS | | | 3/8" |
| 32 | 855067 | STEMPELSTANG | PISTON ROD | KOLBENSTANGE | |
| 33 | 700230 | SKRABERING | SCRAPER | ABSTREICHER | AS 30X40X7/10 |
| 34 | 700281 | PAKNING | GASKET | PACHUNG | NI-300 30X40X10 |
| 35 | 855006 | CYLINDER KPL. | CYLINDER CPL. | ZYLINDER KPL. | POS. 32-43 |
| 36 | 26435830 | DRØVLEPROP | PLUG | PROPFEN | |
| 37 | 855068 | CYLINDERRØR | CYLINDER | ZYLINDER | |
| 38 | 700266 | PAKNING | GASKET | PACHUNG | SIMKO 320 60X48X14X28 |
| 39 | 855069 | STEMPEL | PISTON | KOLBEN | |
| 40 | 700451 | O-RING | O-RING | O-RING | Ø56X3 |
| 41 | 855009 | OMLØBER | UNION NUT | ÜBERWURFMUTTER | |
| 42 | 700401 | O-RING | O-RING | O-RING | Ø17X3 |
| 43 | 1930807 | LÅSEMØTRIK | NUT | MUTTER | M16 |
| 44 | 700432 | O-RING | O-RING | O-RING | Ø25X3 |
| 45 | 1930810 | LÅSEMØTRIK | NUT | MUTTER | M24 |
| 46 | 39622562 | PÅSVEJSNINGSPLADER | PLATE | PLATTE | REP.STK. |
| 47 | 39622561 | PÅSVEJSNINGSPLADER | PLATE | PLATTE | REP.STK. |



51

Kort bøjle
15613293

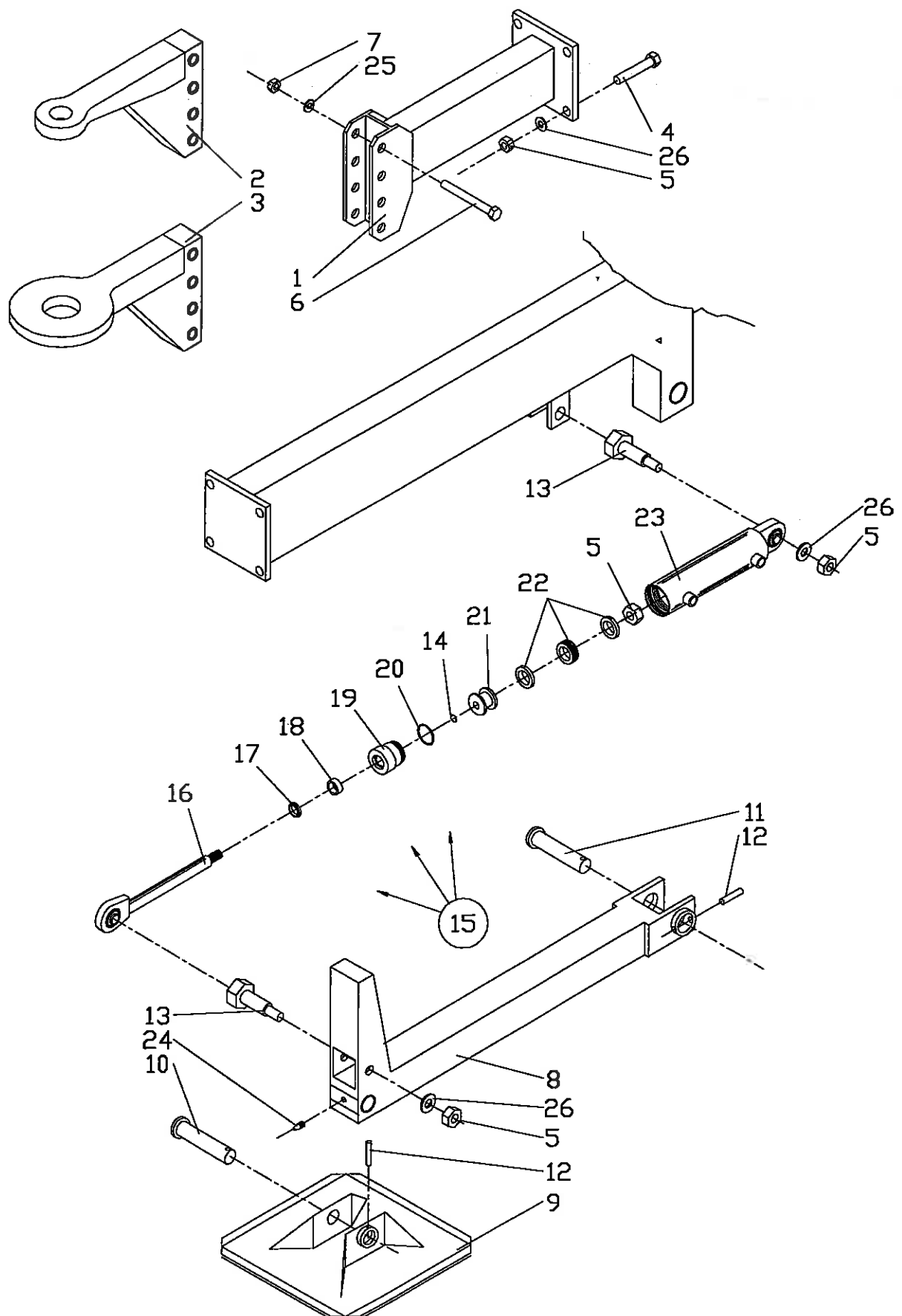




TR-6

| NR. NO. NR. | BESTIL. PART NO. TEIL NR. | BENÆVNELSE | DESCRIPTION | BEZEICHNUNG | BEMÆRKNING REMARKS BEMERKUNGEN |
|-------------------|---------------------------------|-----------------------------|-------------------------|------------------------|--------------------------------------|
| 1 | 39106280 | LILLE ELEVATOR | ELEVATOR | ELEVATOR | |
| 2 | 39616510 | HOLDER F. GUMMISKÆRM | HOLDER F. RUBBER SCREEN | HALTER FÜR GUMMISCHIRM | |
| 3 | 39616540 | GUMMIPLADE | RUBBER PLATE | GUMMIPLATTE | |
| 4 | 39616550 | HULSKINNE | RAIL | SCHIENE | |
| 5 | 1924053 | BRÆDDEBOLT | BOLT | BOLZ | M8X30 |
| 6 | 1930924 | SPÆNDESKIVE | WASHER | SCHEIBE | M8 |
| 7 | 1930727 | STÅLMØTRIK | NUT | MUTTER | M8 |
| 8 | 1920206 | STÅLBOLT | BOLT | BOLZEN | M10X30 |
| 9 | 1930945 | FJEDERSKIVE | WASHER | SCHEIBE | M10 |
| 10 | 1930728 | STÅLMØTRIK | NUT | MUTTER | M10 |
| 11 | 39329500 | PLADE | PLATE | PLATTE | |
| 12 | 1922626 | STÅLBOLT | BOLT | BOLZEN | M10X20 |
| 13 | 15329980 | DRIVAKSEL | SHAFT | WELLE | |
| 14 | 36105060 | KÆDEHJUL | CHAIN WHEEL | KETTENRAD | |
| 15 | 931386 | PASFEDER | KEY | PASFEDER | A10X8X50 |
| 16 | 931385 | PASFEDER | KEY | PASFEDER | A10X8X45 |
| 17 | 28430676 | AFSTANDSBØSNING | BUSH | BUCHSE | |
| 18 | 500963 | FLANGELEJE | BEARING | LAGER | PCJ-30 |
| 19 | 1904279 | STÅLPLOVBOLT | BOLT | BOLZ | M12X40 |
| 20 | 1930907 | SPÆNDESKIVE | WASHER | SCHEIBE | M12 |
| 21 | 1930805 | LÅSEMØTRIK | NUT | MUTTER | M12 |
| 22 | 64429210 | KONSOL | CONSOLE | KONSOLE | |
| 23 | 1923154 | STÅLSÆTSKRUE | SCREW | SCHRAUBE | M12X35 |
| 24 | 92326410 | MUFFEKOBLING | BUSH | BUCHSE | Ø35 |
| 25 | 1905583 | UNBRACOSKRUE | SCREW | SCHRAUBE | MC12X30 |
| 26 | 26492710 | STANG | ROD | STANGE | |
| 27 | 26492731 | SKÆRM | SCREEN | SCHIRM | |
| 28 | 26492732 | SKÆRM | SCREEN | SCHIRM | |
| 29 | 1923052 | SÆTSKRUE | SCREW | SCHRAUBE | M6X20 |
| 30 | 1930943 | FJEDERSKIVE | SPRING WASHER | FEDERSCHEIBE | M6 |
| 31 | 1930726 | STÅLMØTRIK | NUT | MUTTER | M6 |
| 32 | 851039 | OLEMOTOR | OIL MOTOR | ÖL-MOTOR | OMH-500-Ø35 |
| 33 | 851098 | PAKNINGSSÆT | GASKET | PACKUNG | |
| 34 | 1922615 | STÅLBOLT | BOLT | BOLZ | M8X65 |
| 35 | 39626660 | HOLDER | HOLDER | HALTER | |
| 36 | 39626650 | SKINNE | RAIL | SCHEINE | |
| 37 | 1930944 | FJEDERSKIVE | SPRING WASHER | FEDERSCHEIBE | M8 |
| 38 | 39626630 | SKINNE | RAIL | SCHEINE | |
| 39 | 15215171 | ELEVATOR KÆDE KPL. | ELEVATOR BELT CPL. | ELEVATOR KETTEN KPL. | POS. 40-43 |
| 40 | 1905620 | UNBRACOSKRUE | SCREW | SCHRAUBE | MK6X25 |
| 41 | 39619120 | BOLTEPLADE | PLATE | PLATTE | |
| 42 | 39618440 | STANG | ROD IRON | STANGE | |
| 43 | 15340450 | MEDBRINGER | CATCHER | MITNEHMER | |
| 44 | 39327070 | ÅBNE LED | STONE TRAP | SKINKLAPPE | |
| 45 | 39613291 | BØJLE | ROD | STANGE | REP.STK. |
| 46 | 15652280 | BØJLE | SCREEN | SCHIRM | |
| 47 | 39622563 | PÅSVEJSNINGSPLADER | PLATE | PLATTE | REP.STK. |
| 48 | 39215179 | ELEVATOR KÆDE KPL. REP.STK. | ELEVATOR BELT CPL. | ELEVATOR KETTEN KPL. | REP.STK. |
| 49 | 1924001 | BRÆDDEBOLT | BOLT | BOLZ | M6X20 |
| 50 | 1930923 | SPÆNDESKIVE | WASHER | SCHEIBE | M6 |

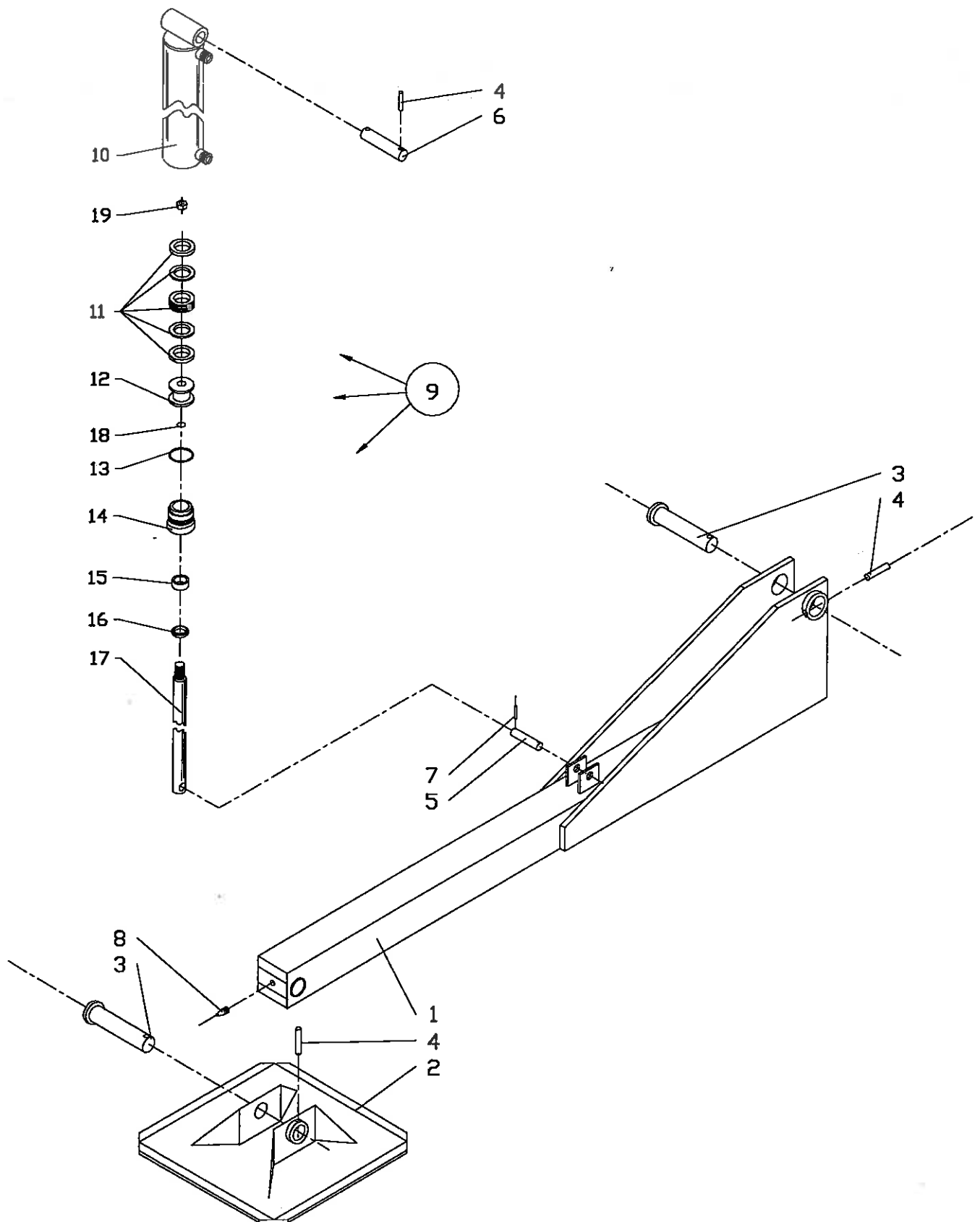
51 15613293 Løs bøjle i midten af medbringer





TR-6

| NR. NO. NR. | BESTIL PART NO. TEIL NR. | BENÆVNELSE | DESCRIPTION | BEZEICHNUNG | BEMÆRKNING REMARKS BEMERKUNGEN |
|-------------------|--------------------------------|------------------|--------------------|--------------------|--------------------------------------|
| 1 | 39326960 | TRÆKBOM | SUSPENSION ROD | SCHLEPPENSTANG | |
| 2 | 15615661 | TRÆKØJE | SUSPENSION ROD | SCHLEPPENSTANG | Ø40 |
| 3 | 39615660 | VBG TRÆKØJE | VBG SUSPENSION ROD | VBG SCHLEPPENSTANG | Ø50 |
| 4 | 1905606 | UNBRACOSKRUE | CAP SCREW | IMBUSSSCHRAUBE | MC24X80 |
| 5 | 1930810 | LÅSEMØTRIK | NUT | MUTTER | M24 |
| 6 | 1922741 | STÅLBOLT | BOLT | BOLZ | M20X130 |
| 7 | 1930809 | LÅSEMØTRIK | NUT | MUTTER | M20 |
| 8 | 39329490 | STØTTEBEN - FORR | STAY LEG | FUSSSTÜTZEN | |
| 9 | 39617721 | FODPLADE | PLATE | PLATTE | |
| 10 | 39617740 | BOLT | BOLT | BOLZ | |
| 11 | 39617750 | BOLT | BOLT | BOLZ | |
| 12 | 911674 | RØRSTIFT | ROLLER PIN | STIFT | Ø10X50 |
| 13 | 26497740 | BOLT | BOLT | BOLZ | |
| 14 | 700432 | O-RING | O-RING | O-RING | Ø25X3 |
| 15 | 855073 | CYLINDER KPL. | CYLINDER CPL. | ZYLINDER KPL. | POS.5,14-23 |
| 16 | 855089 | STEMPELSTANG | PISTON ROD | KOLBENSTANGE | |
| 17 | 700233 | SKRABERING | SCRAPER RING | ABSTREIFRING | AS 35X45X7/10 |
| 18 | 700282 | PAKNING | GASKET | PACHUNG | NI-300 35X45X10 |
| 19 | 855075 | OMLØLBER | UNION NUT | ÜBERWURFMUTTER | |
| 20 | 700505 | O-RING | O-RING | O-RING | Ø71X3 |
| 21 | 855076 | STEMPEL | PISTON | KOLBEN | |
| 22 | 700267 | PAKNING | GASKET | PACHUNG | SIMKO 320 75X55X22,5X5,2 |
| 23 | 855077 | CYLINDER RØR | CYLINDER | ZYLINDER | |
| 24 | 501802 | SMØRENIPPEL | GREASE FITTING | SCHMIERNIPPEL | 1/8"RG |
| 25 | 930950 | FJEDERSKIVE | WASHER | SCHEIBE | M20 |
| 26 | 1930912 | SPÆNDESKIVE | WASHER | SCHEIBE | M24 |





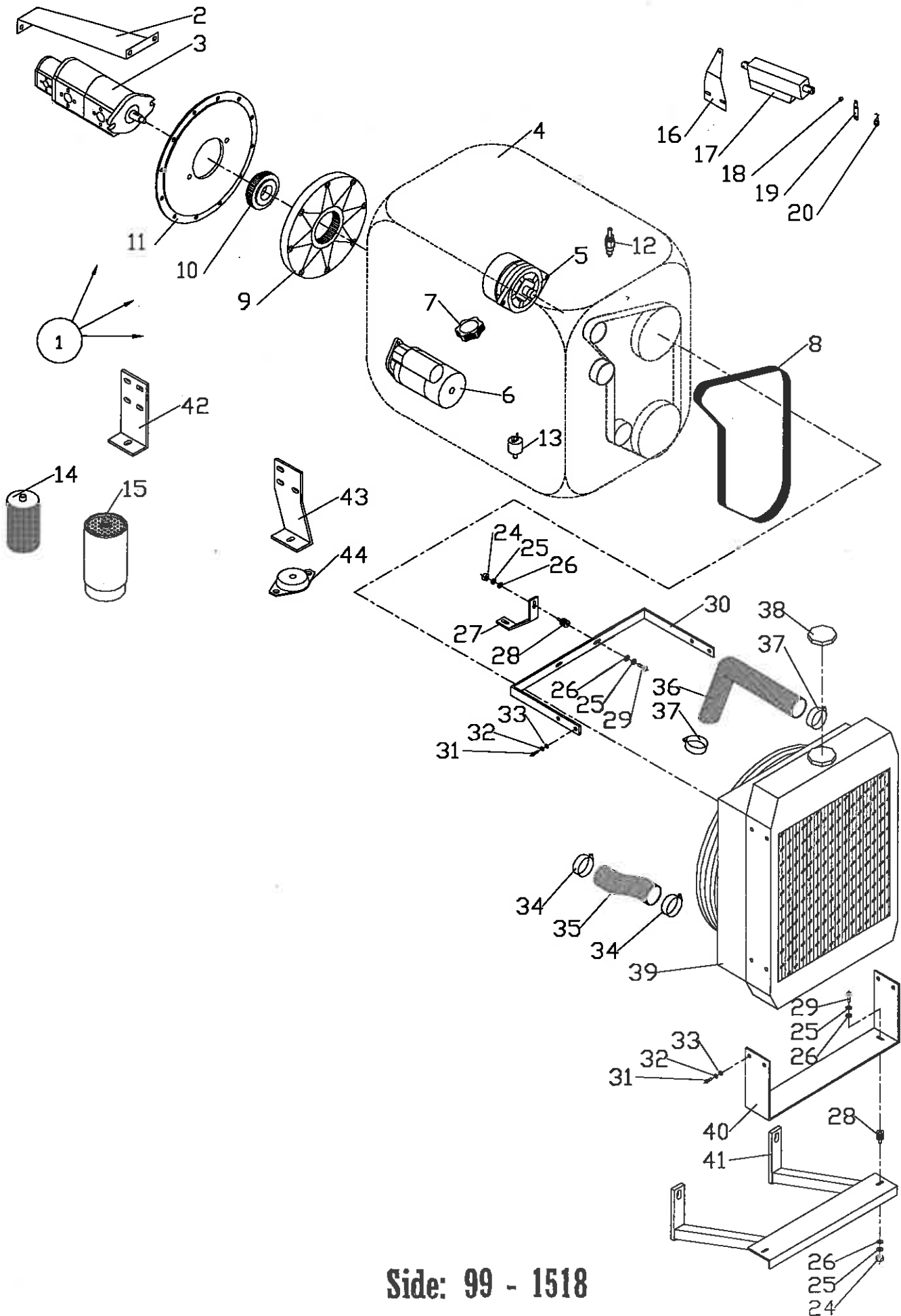
TR-6

| NR. NO. NR. | BESTIL. PART NO. TEIL NR. | BENÆVNELSE | DESCRIPTION | BEZEICHNUNG | BEMÆRKNING REMARKS BEMERKUNGEN |
|-------------------|---------------------------------|-----------------|----------------|----------------|--------------------------------------|
| 1 | 39326930 | STØTTEBEN - BAG | STAY LEG | FUSSSTÜTZEN | |
| 2 | 39617722 | FODPLADE | PLATE | PLATTE | |
| 3 | 30494380 | BOLT | BOLT | BOLZ | |
| 4 | 911674 | RØRSTIFT | ROLLER PIN | STIFT | Ø10X50 |
| 5 | 63409540 | SPLITBOLT | BOLT | BOLZ | |
| 6 | 25438352 | TAP | PIN | ZAPF | |
| 7 | 910766 | SPLIT | PIN | STIFT | Ø5X50 |
| 8 | 501802 | SMØRENIPPEL | GREASE FITTING | SCHMIERNIPPEL | 1/8" RG |
| 9 | 855057 | CYLINDER KPL. | CYLINDER CPL. | ZYLINDER KPL. | POS.10-18 |
| 10 | 855078 | CYLINDERRØR | CYLINDER | ZYLINDER | |
| 11 | 700266 | PAKNING | GASKET | PACHUNG | SEMKO 320 60X48X14X28 |
| 12 | 855079 | STEMPEL | PISTON | KOLBEN | |
| 13 | 700451 | O-RING | O-RING | O-RING | Ø56X3 |
| 14 | 855060 | OMLØBER | UNION NUT | ÜBERWURFMUTTER | |
| 15 | 700284 | PAKNING | GASKET | PACHUNG | NI-300 45X55X10 |
| 16 | 700235 | SKRABERING | RING | RING | AS 45X55X7/10 |
| 17 | 855080 | STEMPELSTANG | PISTON ROD | KOLBENSTANGE | |
| 18 | 700432 | O-RING | O-RING | O-RING | Ø25X3 |
| 19 | 1930810 | LÅSEMØTRIK | NUT | MUTTER | M24 |



Motor

Roerenser TR-6

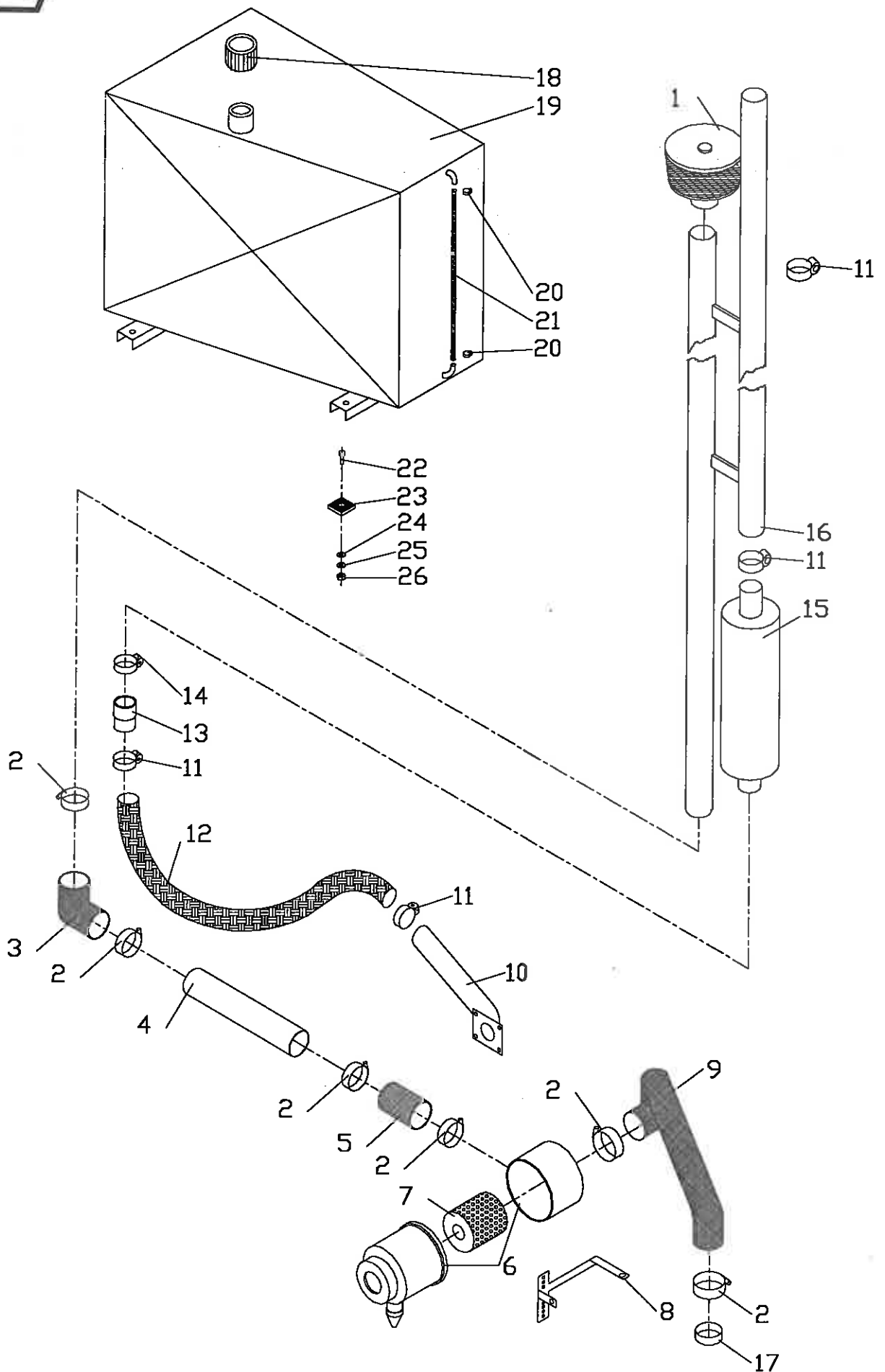


Side: 99 - 1518



TR-6

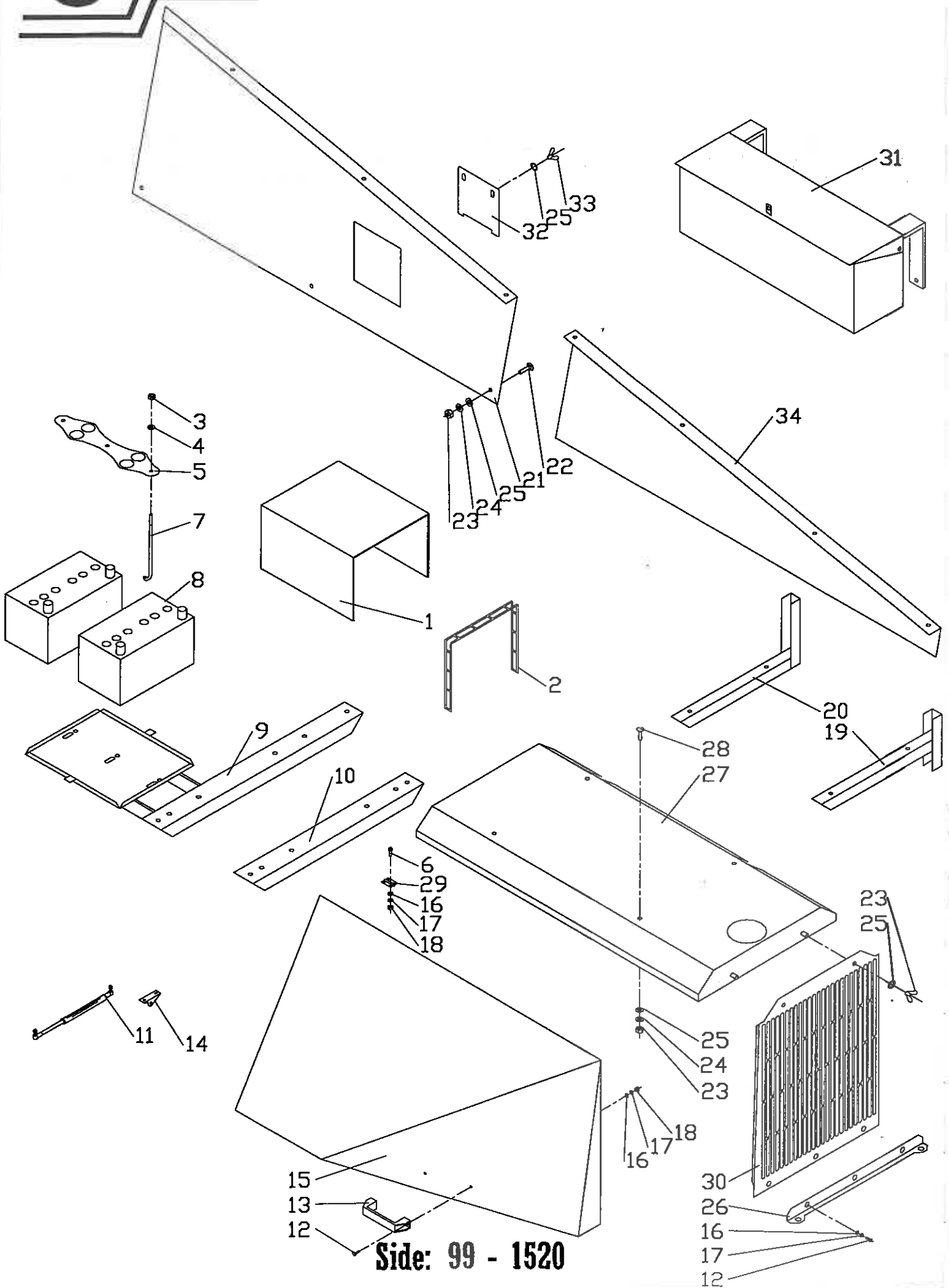
| NR. NO. NR. | BESTIL. PART NO. TEIL NR. | BENÆVNELSE | DESCRIPTION | BEZEICHNUNG | BEMÆRKNING REMARKS BEMERKUNGEN |
|-------------------|---------------------------------|----------------------|---------------|------------------|--------------------------------------|
| 1 | 850373 | SVINGHJUL KPL. | COUPLING CPL. | KUPPLUNG KPL. | POS. 9-11 |
| 2 | 15340530 | PLADE | PLATE | PLATTE | |
| 3 | 851230 | PUMPE | PUMP | PUMPE | KP30.38/30.34/20.20/D |
| 4 | 850291 | MOTOR JOHN DEERE | MOTOR | MOTOR | 24V 4,5l |
| 5 | 850301 | GENERATOR | | | 24V |
| 6 | 850302 | STARTER | | | 24V |
| 7 | 850303 | PROP | PLUG | PROPFEN | |
| 8 | 850304 | KILEREM | V-BELT | KELRIEMEN | |
| 9 | 850305 | NYLON FLANGE | PLATE | PLATTE | |
| 10 | 850346 | KOBLING PUMPE | COUPLING | KUPPLUNG | |
| 11 | 850347 | KOBLINGSFLANGE | PLATE | PLATTE | |
| 12 | 850314 | TEMPERATUR FØLER | | | |
| 13 | 850315 | OLIE TRYKS INDIKATOR | | | |
| 14 | 850283 | BRÆNDSTOFFILTER | FUEL FILTER | BRENNSTOFFFILTER | |
| 15 | 850284 | OLIEFILTER | OIL FILTER | ÖL-FILTER | |
| 16 | 39623160 | BESLAG | BRACKET | KONSOLE | |
| 17 | 862286 | EL-AKTIVATOR | EL-AKTIVATOR | EL-AKTIVATOR | |
| 18 | 15653370 | BØSNING | BUSH | BUCHSE | |
| 19 | 850374 | REGULERINGSARM | ARM | ARM | |
| 20 | 850375 | FJEDER | SPRING | FEDER | |
| 21 | | | | | |
| 22 | | | | | |
| 23 | | | | | |
| 24 | 1930727 | STÅLMØTRIK | NUT | MUTTER | M8 |
| 25 | 1930944 | FJEDERSKIVE | WASHER | SCHEIBE | M8 |
| 26 | 1930904 | SPÆNDESKIVE | WASHER | SCHEIBE | M8 |
| 27 | 39629120 | STIVER | HOLDER | HALTER | |
| 28 | 600416 | VIBRATIONSDÆMPER | RUBBER BLOCK | GUMMIKLOTZ | Ø30X20 |
| 29 | 1923075 | STÅLSÆTSKRUE | SET SCREW | SETZSCHRAUBE | M8X12 |
| 30 | 39629110 | BØJLE | SCHACKLE | BÜGEL | |
| 31 | 922101 | STÅLBOLT | BOLT | BOLZ | 3/8"X16 |
| 32 | 1930945 | FJEDERSKIVE | WASHER | SCHEIBE | M10 |
| 33 | 1930905 | SPÆNDESKIVE | WASHER | SCHEIBE | M10 |
| 34 | 850298 | SPÆNDEBÅND | CLAMP | SPANNBÜGEL | 50-65 |
| 35 | 850311 | KØLERSLANGE TRYK | HOSE | SCHLAUCH | |
| 36 | 850310 | KØLERSLANGE RETUR | HOSE | SCHLAUCH | |
| 37 | 850278 | SPÆNDEBÅND | CLAMP | SPANNBÜGEL | 38-50 |
| 38 | 850309 | PROP | PLUG | PROPFEN | |
| 39 | 850308 | KØLER | | | |
| 40 | 39329180 | PLADE | PLATE | PLATTE | |
| 41 | 39329170 | KØLEROPHÆNG | CONSOLE | KONSOLE | |
| 42 | 15650080 | MOTOROPHÆNG | CONSOLE | KONSOLE | |
| 43 | 15650060 | MOTOROPHÆNG | CONSOLE | KONSOLE | |
| 44 | 600417 | VIBRATIONSDÆMPER | RUBBER BLOCK | GUMMIKLOTZ | |





TR-6

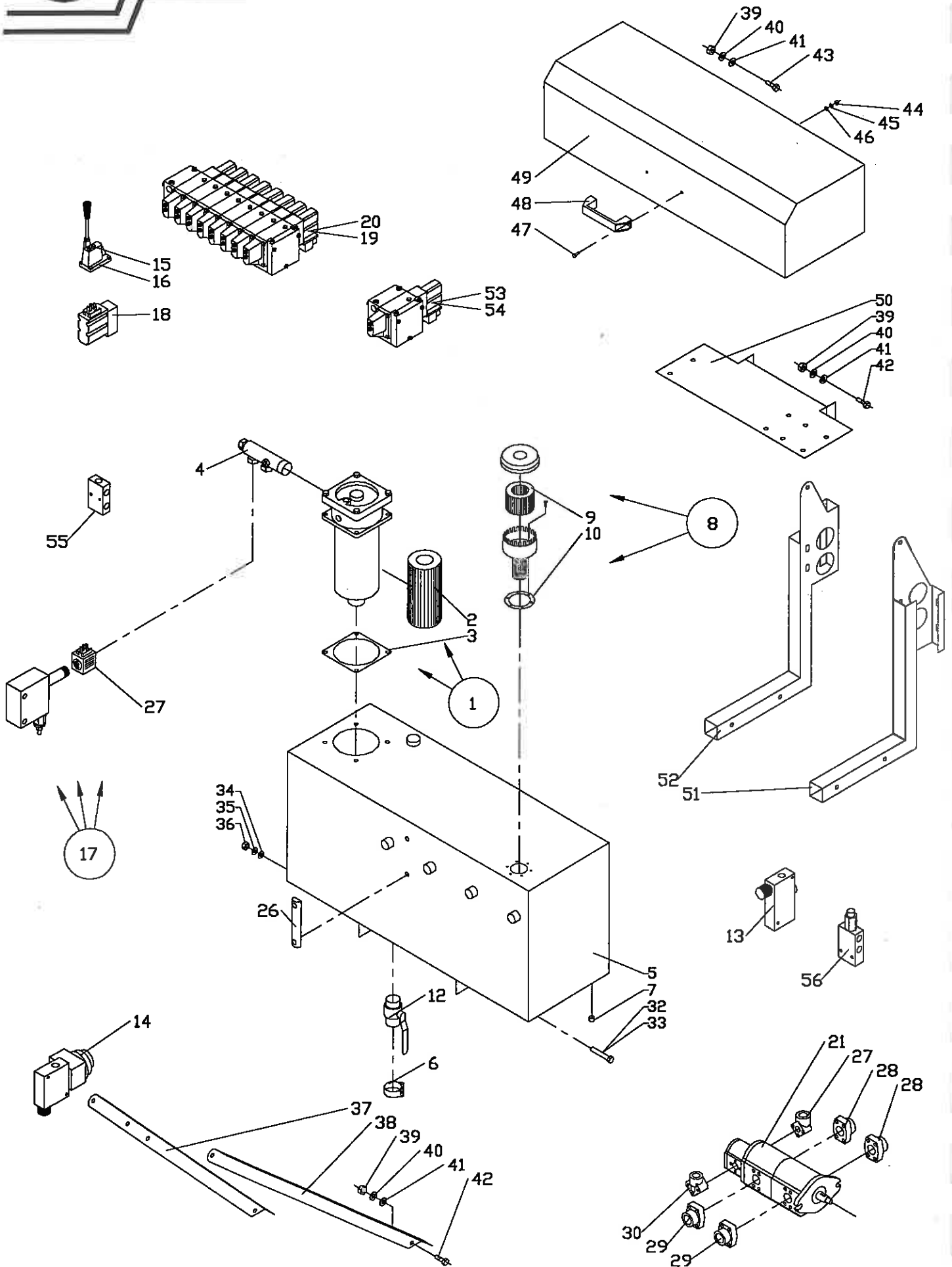
| NR. NO. NR. | BESTIL. PART NO. TEIL NR. | BENÆVNELSE | DESCRIPTION | BEZEICHNUNG | BEMÆRKNING REMARKS BEMERKUNGEN |
|-------------------|---------------------------------|-------------------|------------------|------------------|--------------------------------------|
| 1 | 850318 | LUFT CYKLOM KPL. | AIR CYCLONE CPL. | LUFTZYKLONE KPL. | |
| 2 | 702890 | SPÆNDEBÅND | CLAMP | SPANNBÜGEL | 68-85 |
| 3 | 850307 | GUMMIBØJNING | RUBBER BUSH | GUMMI BUSCHE | Ø76X90° |
| 4 | 15623223 | RØR | PIPE | ROHR | |
| 5 | 39629310 | SLANGE | HOSE | SCHLAUCH | |
| 6 | 850312 | LUFTFILTER KPL. | AIR-FILTER CPL. | LUFTFILTER KPL. | |
| 7 | 850285 | LUFTFILTERINDSATS | AIR-FILTER | LUFTFILTER | |
| 8 | 39329190 | OPHÆNG | CONSOLE | KONSOLE | |
| 9 | 850313 | LUFTFILTERSLANGE | HOSE | SCHLAUCH | |
| 10 | 39623470 | UDSTØDNINGSRØR | EXHAUST PIPE | ABGASROHR | |
| 11 | 850071 | SPÆNDEBÅND | CLAMP | SPANNBÜGEL | Ø63 |
| 12 | 850074 | FLEX-RØR | FLEX-PIPE | FLEX-ROHR | Ø60X1 MTR. |
| 13 | 39618610 | SAMLERØR | PIPE JOINER | SAMMELROHR | |
| 14 | 850072 | SPÆNDEBÅND | CLAMP | SPANNBÜGEL | Ø68,5 |
| 15 | 850068 | LYDPOTTE | EXHAUST PIPE | ABGASROHR | |
| 16 | 39327860 | UDSTØDNINGSRØR | EXHAUST PIPE | ABGASROHR | |
| 17 | 15652620 | BØSNING | BUSH | BUCHSE | |
| 18 | 851295 | PÅFYLDNINGSSTUTS | STUB | STUTZEN | |
| 19 | 15215910 | DIESELTANK | DIESEL TANK | DIESELTANK | |
| 20 | 851992 | SPÆNDEBÅND | CLIP | SPANNBAND | |
| 21 | 39629322 | KLAR SLANGE | HOSE | SCHLAUCH | 595MM |
| 22 | 1920209 | STÅLBOLT | BOLT | BOLZ | M10X45 |
| 23 | 15651520 | GUMMIPLADE | RUBBER PLATE | GUMMIPLATTE | |
| 24 | 1930905 | SPÆNDESKIVE | WASHER | SCHEIBE | M10 |
| 25 | 1930945 | FJEDERSKIVE | WASHER | SCHEIBE | M10 |
| 26 | 1930728 | STÅLMØTRIK | NUT | MUTTER | M10 |





TR-6

| NR. NO. NR. | BESTIL. PART NO. TEIL NR. | BENÆVNELSE | DESCRIPTION | BEZEICHNUNG | BEMÆRKNING REMARKS BEMERKUNGEN |
|-------------------|---------------------------------|------------------|-------------------|---------------------|--------------------------------------|
| 1 | 39628610 | LÅG FOR BATTERI | COVER FOR BATTERY | DECKEL FÜR BATTERIE | |
| 2 | 39628620 | GUMMISTROP | RUBBER | GUMMI | |
| 3 | 1930802 | LÅSEMØTRIK | NUT | MUTTER | M8 |
| 4 | 1930904 | SKIVE | WASHER | SCHEIBE | M8 |
| 5 | 15651500 | BESLAG | CONSOLE | KONSOLE | |
| 6 | 1905619 | UNBRACOSKRUE | CAP SCREW | IMBUSSSCHRAUBE | MK6X20 |
| 7 | 39629130 | BOLT | BOLT | BOLZ | |
| 8 | 850297 | BATTERI | BATTERY | BATTERIE | 12V-100A |
| 9 | 15340000 | OPHÆNGPROFIL | CONSOLE | KONSOLE | |
| 10 | 15650112 | OPHÆNGPROFIL | CONSOLE | KONSOLE | |
| 11 | 850344 | GAS CYLINDER | GAS CYLINDER | GAS CYLINDER | |
| 12 | 1923052 | STÅLSÆTSKRUE | SET SCREW | SETZSCHRAUBE | M6X20 |
| 13 | 803066 | HÅNDTAG | HANDLE | HANDGRIF | |
| 14 | 850345 | MONTERINGSBESLAG | HOLDER | HALTER | |
| 15 | 15340060 | PLADESKÆRM | SCREEN | SCHIRM | |
| 16 | 1930903 | SPÆNDESKIVE | WASHER | SCHEIBE | M6 |
| 17 | 1930943 | FJEDERSKIVE | WASHER | SCHEIBE | M6 |
| 18 | 1930726 | STÅLMØTRIK | NUT | MUTTER | M6 |
| 19 | 15340071 | HOLDER | HOLDER | HALTER | |
| 20 | 15340072 | HOLDER | HOLDER | HALTER | |
| 21 | 15329470 | SKÆRM | SCREEN | SCHIRM | |
| 22 | 1926023 | BRÆDDEBOLT | BOLT | BOLZ | M10X25 |
| 23 | 1930728 | STÅLMØTRIK | NUT | MUTTER | M10 |
| 24 | 1930945 | FJEDERSKIVE | WASHER | SCHEIBE | M10 |
| 25 | 1930905 | SPÆNDESKIVE | WASHER | SCHEIBE | M10 |
| 26 | 15650140 | SKINNE | RAIL | SCHEINE | |
| 27 | 15340050 | SKÆRM | SCREEN | SCHIRM | |
| 28 | 1922633 | STÅLBRÆDDEBOLT | BOLT | BOLZ | M10X60 |
| 29 | 850343 | HÆNGSEL | HOLDER | HALTER | |
| 30 | 15340030 | SKÆRM | SCREEN | SCHIRM | |
| 31 | 39215000 | VÆRKTØJSKASSE | SPARE PARTS BOX | ERSATZTEILKASTEN | |
| 32 | 28627670 | LUKKEPLADE | PLADE | PLATTE | |
| 33 | 1930326 | FLØJMØTRIK | NUT | MUTTER | M10 |
| 34 | 15340270 | SKÆRM | SCREEN | SCHIRM | |



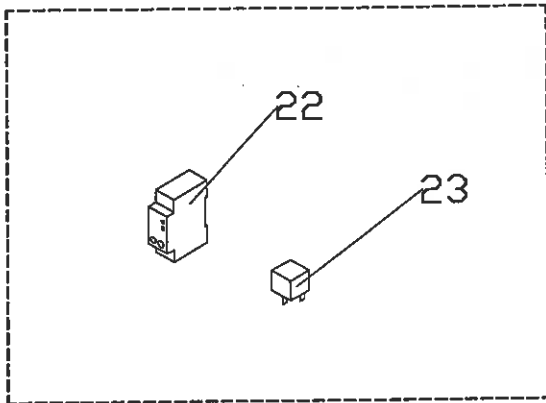


TR-6

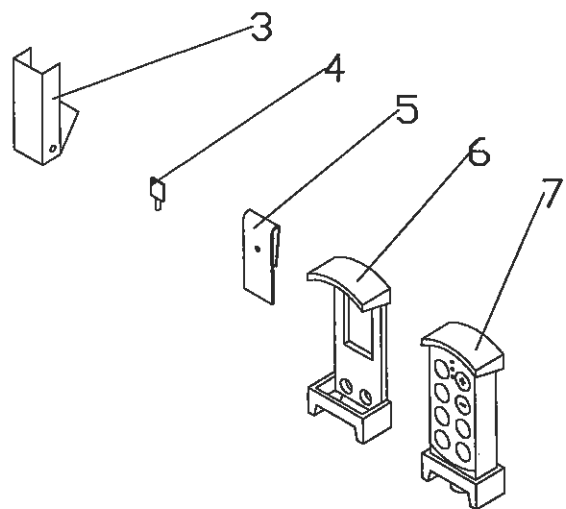
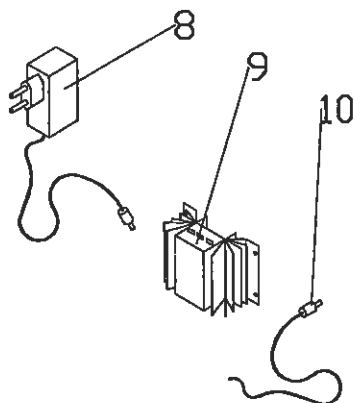
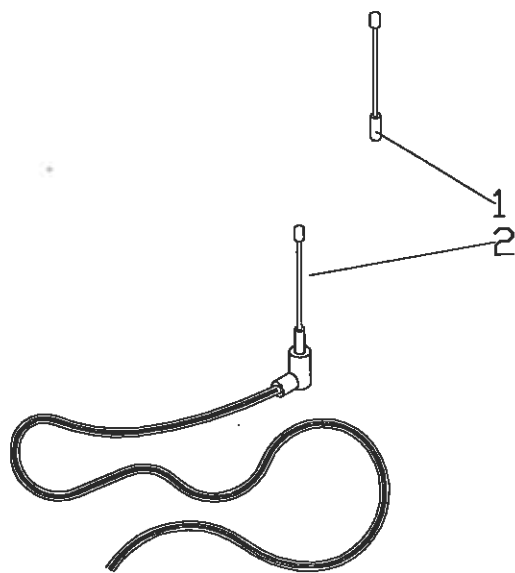
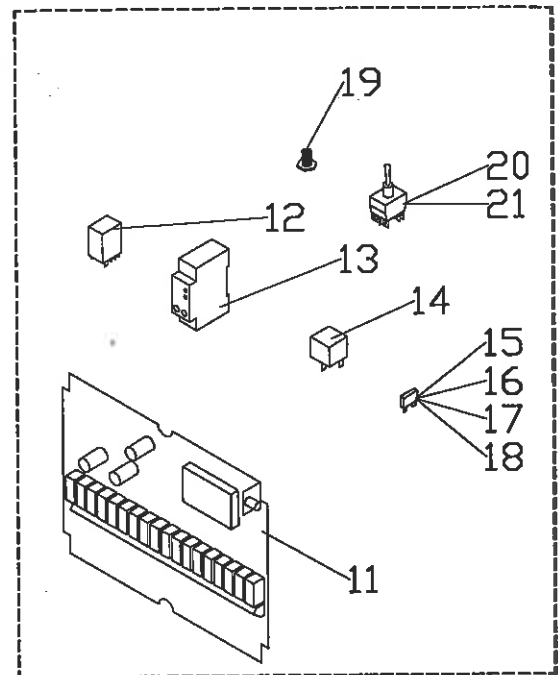
| NR. NO. NR. | BESTIL. PART NO. TEIL NR. | BENÆVNELSE | DESCRIPTION | BEZEICHNUNG | BEMÆRKNING REMARKS BEMERKUNGEN |
|-------------------|---------------------------------|----------------------|-----------------------|----------------------|--------------------------------------|
| 1 | 851236 | RETURFILTER KPL. | RETURN FILTER CPL. | RÜCKLEITUNG KPL. | |
| 2 | 851237 | FILTERINDSATS | REPLACEMENT FILTER | FILTER EINSATZ | POS. 2-3 |
| 3 | 851238 | PAKNING | GASKET | PACHUNG | |
| 4 | 28615960 | RETTURRØR | BUSH | BUCHSE | |
| 5 | 28328100 | OLIETANK | OIL TANK | ÖL-TANK | HÄNDEL 68 220L |
| 6 | 851990 | SLANGBÅND | HOSE RING | SCHLAUCH RING | |
| 7 | 15340530 | PLADE | PLATE | PLATTE | S-50/12 |
| 8 | 851243 | LUFTFILTER KPL. | FILTER CPL. | FILTER KPL. | |
| 9 | 851244 | FILTERINDSATS | REPLACEMENT FILTER | FILTER EINSATZ | POS. 9-10 |
| 10 | 851245 | PAKNING | GASKET | PACKUNG | |
| 11 | 702386 | SIKKERHEDSVENTIL | PRESSURE RELIEF VALVE | DRÜCK REGLER VENTILE | VMP 10/3 |
| 12 | 702364 | KUGLEHANE | BALL VALVE | KUGELHAHN | 1" |
| 13 | 702374 | REGULERINGSVENTIL | VALVE | WENTIL | VPR/3/EP/MGB12 |
| 14 | 702356 | REGULERINGSVENTIL | VALVE | WENTIL | VPR/3/ET/REM3/4"/24" |
| 15 | 702021 | SKRUE + MØTRIK | SCREW + NUT | SCHRAUBE + MUTTER | |
| 16 | 702019 | HÅNDTAGSHUS | HANDLE | HANDGRIF | |
| 17 | 702235 | SIKKERHEDSVENTIL | VALVE | WENTIL | |
| 18 | 702224 | EL-MODUL | EL-MODUL | EL-MODUL | 24V 210 BAR |
| 19 | 702248 | PAKNINGSSÆT | SEAL SET | DICHTUNGSSATZ | PVG 32 24V |
| 20 | 702234 | VENTILBLOK | VALVE | WENTIL | 8 BLOKS PVG-32/8 |
| 21 | 851230 | PUMPE | PUMP | PUMPE | |
| 22 | 702024 | VALVOIL | VALVOIL | VALVOIL | KP30.38/30.34/20.20/D |
| 23 | 702025 | VALVOIL | VALVOIL | VALVOIL | SD11/3 18L-18L-18L |
| 24 | 851443 | KONTRA/DRØVLE VENTIL | VALVE | WENTIL | SD11/3 18L-48L-48L |
| 25 | 702360 | KUGLEHANE | BALL VALVE | KUGELHAHN | 3/8" 1/2" |
| 26 | 851242 | OLIESTANDSGLAS KPL. | OIL LEVET GLASS CPL. | ÖL-STAND KPL. | |
| 27 | 702233 | SPOLE | RELAY | RELÄ | HXC-127/T |
| 28 | 851255 | FLANGE | FLANGED | FLANCHEN | 24V |
| 29 | 702347 | FLANGE | FLANGED | FLANCHEN | 3/4" |
| 30 | 702346 | FLANGE | FLANGED | FLANCHEN | 1" 3/4" |
| 31 | 851256 | FLANGE | FLANGED | FLANCHEN | |
| 32 | 1920214 | STÅLBOLT | BOLT | BOLZ | 1/2" |
| 33 | 1920215 | STÅLBOLT | BOLT | BOLZ | M10X70 |
| 34 | 1930905 | SPÆNDESKIVE | WASHER | SCHEIBE | M10X75 |
| 35 | 1930945 | FJEDERSKIVE | SPRING WASHER | FEDERSCHEIBE | M10 M10 |
| 36 | 1930728 | STÅLMØTRIK | NUT | MUTTER | |
| 37 | 15651491 | STIVER | HOLDER | HALTER | M10 |
| 38 | 15651492 | STIVER | HOLDER | HALTER | |
| 39 | 1930730 | STÅLMØTRIK | NUT | MUTTER | |
| 40 | 1930947 | FJEDERSKIVE | WASHER | SCHEIBE | M12 M12 |
| 41 | 1930907 | SPÆNDESKIVE | WASHER | SCHEIBE | |
| 42 | 1923153 | STÅLSÆTSKRUE | SET SCREW | SETZSCHRAUBE | M12 |
| 43 | 1923152 | STÅLSÆTSKRUE | SET SCREW | SETZSCHRAUBE | M12X30 |
| 44 | 1930726 | STÅLMØTRIK | NUT | MUTTER | M12X25 |
| 45 | 1930943 | FJEDERSKIVE | WASHER | SCHEIBE | M6 M6 |
| 46 | 1930903 | SPÆNDESKIVE | WASHER | SCHEIBE | |
| 47 | 1923052 | STÅLSÆTSKRUE | SET SCREW | SETZSCHRAUBE | M6 |
| 48 | 803066 | HÅNDTAG | HANDLE | HANDGRIF | M6X20 |
| 49 | 15340080 | DÆKSKÆRM | SCREEN | SCHIRM | |
| 50 | 15651350 | PLADE | PLATE | PLATTE | |
| 51 | 15340091 | OPHÆNG FORR. | CONSOLE | KONSOLE | |
| 52 | 15340092 | OPHÆNG BAG. | CONSOLE | KONSOLE | |
| 53 | 702241 | PAKNINGSSÆT | SEAL SET | DICHTUNGSSATZ | |
| 54 | 702252 | VENTILBLOK | VALVE | WENTIL | 1 BLOKS |
| 55 | 702304 | PILOTKONTRA VENTIL | VALVE | WENTIL | PVG 32/1 |
| 56 | 702305 | OVERCENTER VENTIL | VALVE | WENTIL | |



Bagerste box



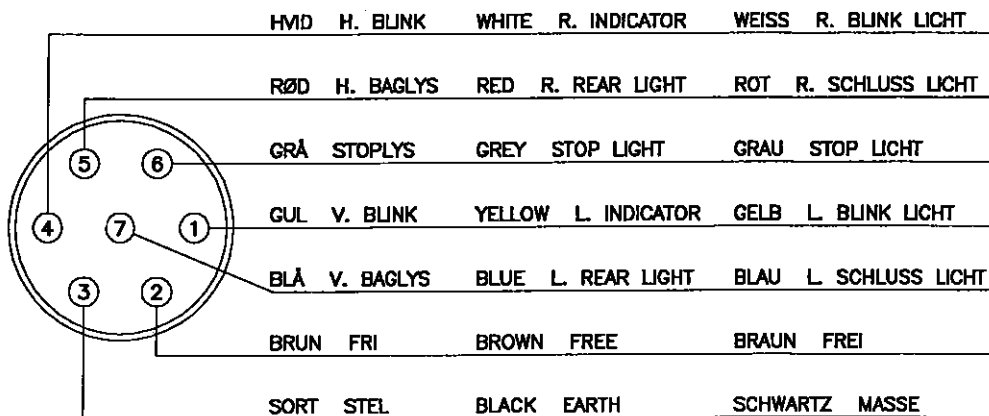
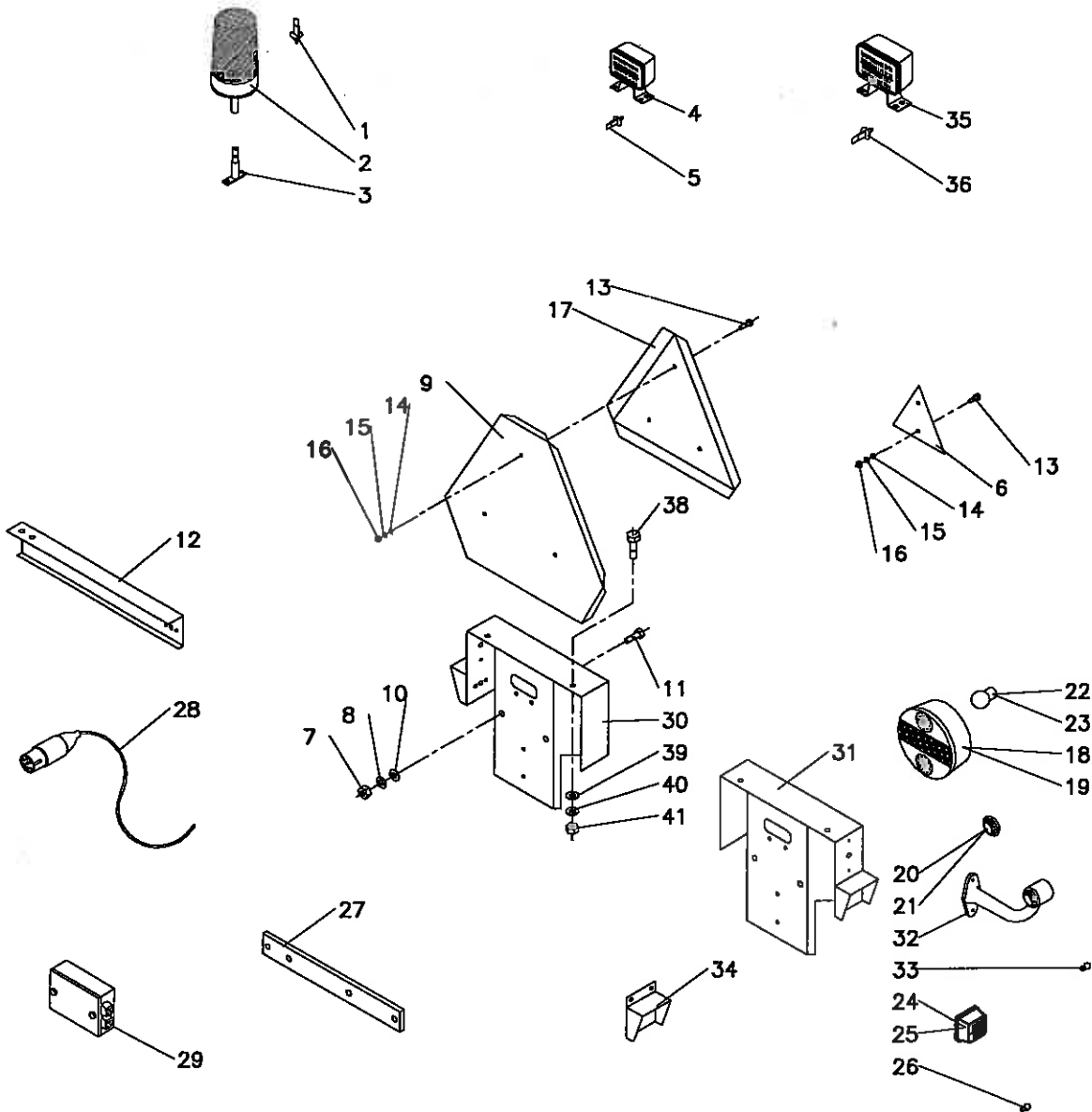
Forreste box





TR-6

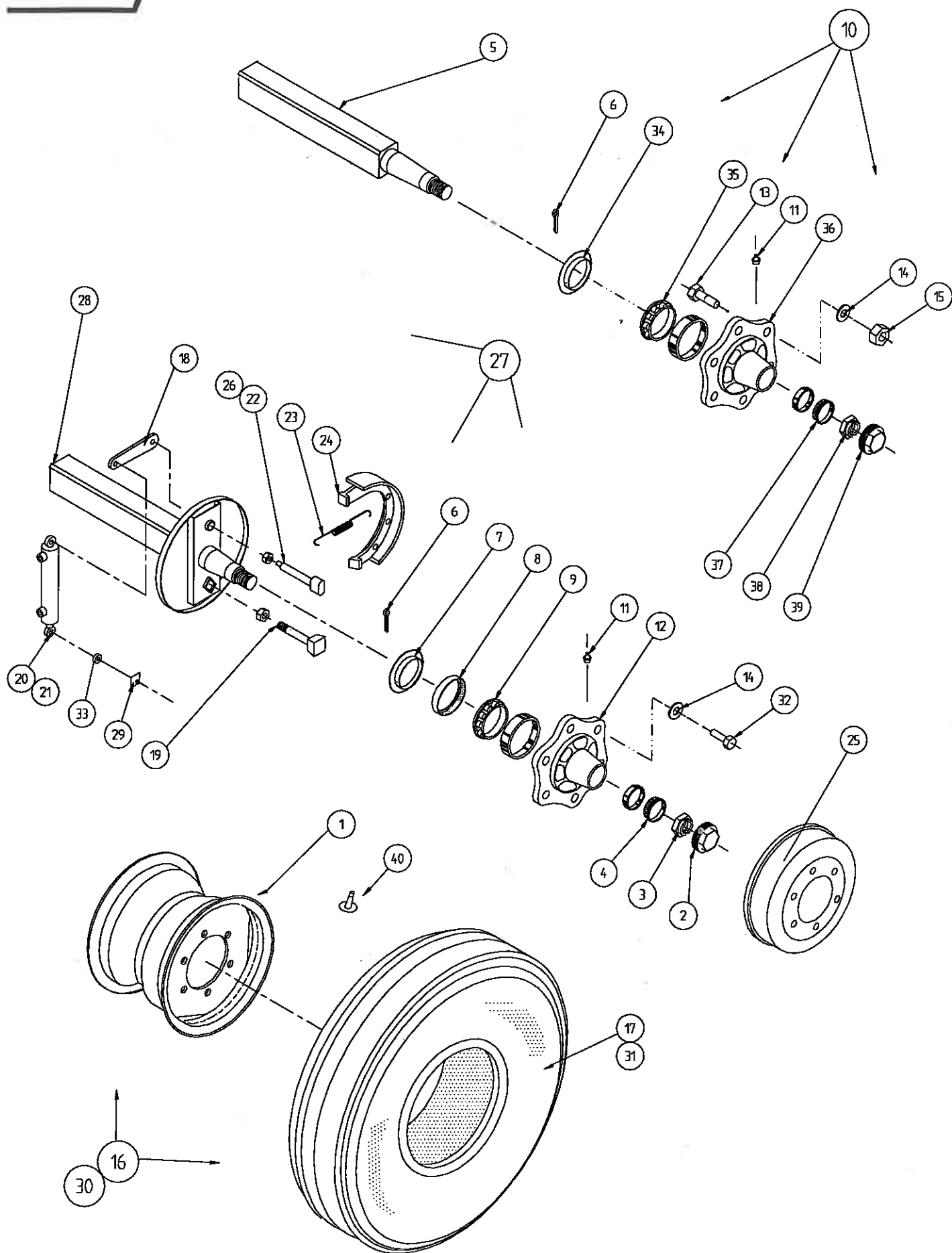
| NR. NO. NR. | BESTIL. PART NO. TEIL NR. | BENÆVNELSE | DESCRIPTION | BEZEICHNUNG | BEMÆRKNING REMARKS BEMERKUNGEN |
|-------------------|---------------------------------|---------------------|--------------|----------------------|--|
| 1 | 862700 | ANTENDEPISK | AERIAL LOOSE | ANTENNE TEIL | |
| 2 | 862701 | ANTENNE KPL | AERIAL CPL. | ANTENNE KPL | |
| 3 | 862706 | BESLAG | BRACKET | KONSOLE | |
| 4 | 862705 | NØGLE | KEY | SCHUSSEL | |
| 5 | 862704 | HOLDER | HOLDER | HALTER | |
| 6 | 862703 | GUMMIKAPPE | RUBBER | GUMMI | |
| 7 | 862702 | SENDER | TRANSMITTER | SENDER | OPGIV SERIE NR |
| 8 | 862707 | LADER | CHARGER | LADER | 220V-12V |
| 9 | 862708 | OMFORMER | CONVERTER | UMFORMER | 24V-12V |
| 10 | 862709 | LEDNING F. OMFORMER | WIRE | LEILUNG FÜR UMFORMER | |
| 11 | 862710 | PRINT | PRINT | PRINT | OPGIV SERIE NR |
| 12 | 862380 | RELÆ | RELAY | RELAIS | MOTORGAS - BØRSTE - CENTRALSMØR. |
| 13 | 862042 | TIMER | TIMER | TIMER | HOVED - |
| 14 | 862080 | RELÆ | RELAY | RELAIS | ELEV. KÆDE - NØDSTOP - 5A |
| 15 | 862093 | FLADSIKRING | SAFETY FUSE | SICHRUNG | |
| 16 | 862095 | FLADSIKRING | SAFETY FUSE | SICHRUNG | 10A |
| 17 | 862097 | FLADSIKRING | SAFETY FUSE | SICHRUNG | 20A |
| 18 | 862098 | FLADSIKRING | SAFETY FUSE | SICHRUNG | 30A |
| 19 | 862167 | GUMMIHÆTTE | RUBBER | GUMMI | |
| 20 | 862368 | KONTAKT | SWITCH | KONTAKT | 2 X LÅS |
| 21 | 861726 | KONTAKT | SWITCH | KONTAKT | 2 X FJEDER |
| 22 | 861439 | TIMER | TIMER | TIMER | VALSEBORD |
| 23 | 862080 | RELÆ | RELAY | RELAIS | TANKÆDE - |





TR-6

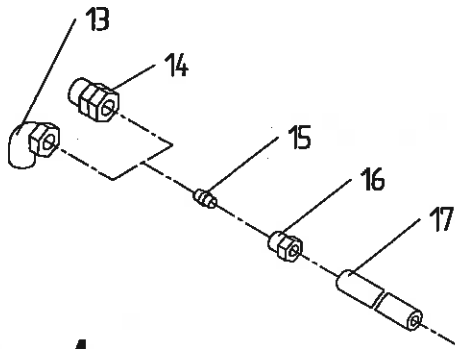
| NR. NO. NR. | BESTIL. PART NO. TEIL NR. | BENÆVNELSE | DESCRIPTION | BEZEICHNUNG | BEMÆRKNING REMARKS BEMERKUNGEN |
|-------------------|---------------------------------|----------------------|-------------------------|---------------------------|--------------------------------------|
| 1 | 861157 | PÆRE | BULB | BIRNE | 24V 55W H1 |
| 2 | 850107 | ROTORBLINK | BEAM | WARNUNGSLICHT | 24V |
| 3 | 861058 | HOLDER | HOLDER | HALTER | |
| 4 | 861056 | ARBEJDSLYGTE | WORKING LIGHT | ARBEITSLICHT | |
| 5 | 861152 | PÆRE | BULB | BIRNE | 24V 21W P21W |
| 6 | 861051 | REFLEX TREKANT | REFLECTING TRIANGLE | DREICKIGER REFLEX | 175X175X175MM |
| 7 | 1930730 | STÅLMØTRIK | NUT | MUTTER | M12 |
| 8 | 1930947 | FJEDERSKIVE | WASHER | SCHEIBE | M12 |
| 9 | 28328900 | PLADE | PLATE | PLATTE | |
| 10 | 1930907 | SPÆNDESKIVE | WASHER | SCHEIBE | M12 |
| 11 | 1923153 | STÅLSÆTSKRUE | SET SCREW | SETZSCHRAUBE | M12X30 |
| 12 | 15650840 | KONSOL | BRACKET | BESCHLAG | |
| 13 | 1923041 | STÅLSÆTSKRUE | SET SCREW | SETZSCHRAUBE | M5X16 |
| 14 | 1930902 | SPÆNDESKIVE | WASHER | SCHEIBE | M5 |
| 15 | 1930942 | FJEDERSKIVE | WASHER | SCHEIBE | M5 |
| 16 | 1930725 | STÅLMØTRIK | NUT | MUTTER | M5 |
| 17 | 861052 | STOR REFLEX TREKANT | BIG REFLECTING TRIANGLE | GROSSE DREIECKIGER REFLEX | |
| 18 | 861005 | BAGLYS | TAIL-LIGHT | SCHLUSSLICHT | ST. |
| 19 | 861004 | BAGLYS | TAIL-LIGHT | SCHLUSSLICHT | TYSKLAND |
| 20 | 862369 | GLAS LØS | GLASS | GLAS | HVID |
| 21 | 862370 | GLAS LØS | GLASS | GLAS | RØD |
| 22 | 861152 | PÆRE | BULB | BIRNE | 24V 21W |
| 23 | 861150 | PÆRE | BULB | BIRNE | 24V 10W |
| 24 | 862361 | SIDEMARKERINGSLYS | SIDE LIGHT | POSITIONSLICHT | GUL |
| 25 | 862362 | POSITIONSLYGTELYS | SIDE LIGHT | POSITIONSLICHT | HVID |
| 26 | 861159 | PÆRE | BULB | BIRNE | 24V-5W-C5W |
| 27 | 15651670 | KONSOL | BRACKET | BESCHLAG | |
| 28 | 861501 | STIK 7-POL | | | |
| 29 | 862359 | SAMLEDÅSE | BOX | BOX | |
| 30 | 28328722 | LYGTEKASSE - HØJRE | COVERFOR LIGHT - RIGHT | SCHEINWERFERHAUS - RECHTS | |
| 31 | 28328721 | LYGTEKASSE - VENSTRE | COVERFOR LIGHT - LEFT | SCHEINWERFERHAUS - LINKS | |
| 32 | 862360 | SLINGRELYGTE | LIGHT | LICHT | |
| 33 | 861160 | PÆRE FOR SLINGER | BULB | BIRNE | 24V-5W-R5W |
| 34 | 28627370 | LYGTEKONSOL | LIGHT BRACKET | LICHTBESCHLAG | |
| 35 | 861103 | ARBEJDSLYGTE | WORKING LIGHT | ARBEITSLICHT | |
| 36 | 861158 | PÆRE | BULB | BIRNE | 24V 70W H3 |
| 37 | | | | | |
| 38 | 1923077 | STÅLSÆTSKRUE | SET SCREW | SETZSCHRAUBE | M8X20 |
| 39 | 1930904 | SPÆNDESKIVE | WASHER | SCHEIBE | M8 |
| 40 | 1930944 | FJEDERSKIVE | WASHER | SCHEIBE | M8 |
| 41 | 1930727 | STÅLMØTRIK | NUT | MUTTER | M8 |



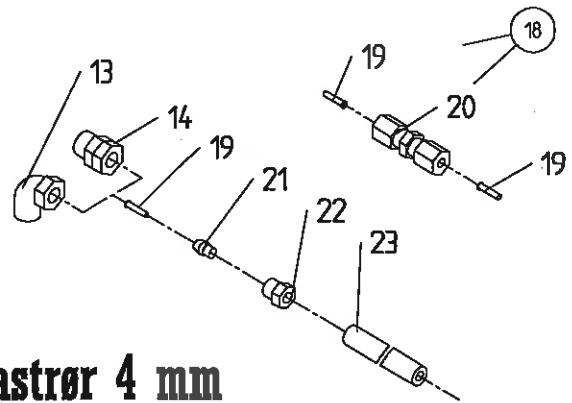


TR-6

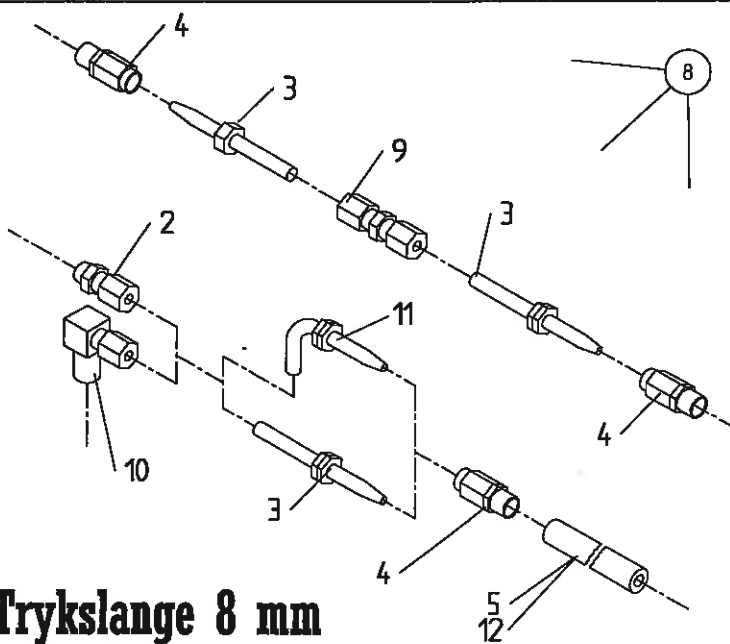
| NR. NO. NR. | BESTIL PART NO. TEIL NR. | BENÆVNELSE | DESCRIPTION | BEZEICHNUNG | BEMÆRKNING REMARKS BEMERKUNGEN |
|-------------------|--------------------------------|------------------------|----------------------|-------------------|---|
| 1 | 800942 | FÆLG | RIM | TUBE | 16X22,5 E80 |
| 2 | 800237 | NAVKAPSEL | HUB CAP | ACHSKAPSEL | |
| 3 | 1930162 | KRONEMØTRIK | NUT | MUTTER | M36X1,5 |
| 4 | 500335 | KONISK RULLELEJE | TAPER ROLLER BEARING | KEGLEROLLENLAGER | LM 102949/910 |
| 5 | 15340460 | HJULAKSEL | WHEEL AXLE | RADWELLE | |
| 6 | 910804 | SPLIT | SPLIT | SPLINT | Ø6X50 |
| 7 | 800284 | TÆTNINGSPLADE | TIGHTENING PLATE | DICHTUNGSPLATTE | Ø70/99 |
| 8 | 509200 | SIMMERING | SEAL | DICHTUNG | 70X100 - 10 |
| 9 | 500309 | KONISK RULLELEJE | TAPER ROLLER BEARING | KEGELROLLENLAGER | 30211 |
| 10 | 800600 | NAV + AKSEL KPL. | HUB + AXLE CPL. | NABE + WELLE KPL. | POS. 5,6,11,13-15,34-39 |
| 11 | 501852 | SMØRENIPPEL | GREASE FITTING | SCHMIERNIPPEL | H1A-6MM |
| 12 | 800293 | NAVHUS | HUB | NABE | L55-6 |
| 13 | 800199 | NAVOLT | BOLT | BOLZEN | M18X1,5 |
| 14 | 930420 | FJEDERSKIVE | WASHER | SCHEIBE | M18 - KONISK |
| 15 | 930185 | MØTRIK | NUT | MUTTER | M18X1,5 |
| 16 | 800945 | HJUL KPL. | WHEEL CPL. | RAD KPL. | POS. 1,17,40 |
| 17 | 800943 | DÆK | TYRE | REIFEN | TWIN 404 500/60-22,5 |
| 18 | 800975 | BREMSEARM | BRAKE ARM | BREMSEARM | |
| 19 | 800974 | JUSTERBOLT | BOLT | BOLZ | |
| 20 | 853027 | CYLINDER | CYLINDER | CYLINDER | |
| 21 | 853028 | PAKNINGSSÆT | SEAL SET | DICHTUNGSSATZ | |
| 22 | 800972 | BREMSENØGLE | BRAKE KEY | BREMSENÖCKEL | FOR KABEL |
| 23 | 800971 | BREMSEFJEDER | BRAKE SPRING | BRAKEFEDER | |
| 24 | 800949 | BREMSEBAKKESÆT | BRAKE | BREMSE | |
| 25 | 800948 | BREMSETROMLE | BRAKE DRUM | BREMSETROMMEL | |
| 26 | 800973 | BREMSENØGLE | BRAKE KEY | BREMSENÖCKEL | FOR CYLINDER |
| 27 | 800946 | BREMSEAKSEL KPL. M CYL | BRAKE SHAFT CPL. | BREMSEWELLE KPL. | POS.2-4,6-9,11-12, 14-15,18-21,23-28 |
| 28 | 800947 | BREMSEAKSEL | BRAKE SHAFT | BREMSEWELLE KPL. | |
| 29 | 15651790 | LAB | HOLDER | HALTER | |
| 30 | 800978 | HJUL KPL. | WHEEL CPL. | RAD KPL. | POS. 1,31,40 |
| 31 | 800979 | DÆK | TYRE | REIFEN | TWIN 404 550/60-22,5 |
| 32 | 800198 | NAVOLT | BOLT | BOLZEN | M18X2,5X55 |
| 33 | 15651780 | BØSNING | BUSH | BUCHSE | |
| 34 | 800254 | TÆTNINGSPLADE | TIGHTENING PLATE | DICHTUNGSPLATTE | |
| 35 | 500311 | KONISK RULLELEJE | TAPER ROLLER BEARING | KEGELROLLENLAGER | 30213 |
| 36 | 800295 | NAVHUS | HUB | NABE | FL65-6 |
| 37 | 500308 | KONISK RULLELEJE | TAPER ROLLER BEARING | KEGELROLLENLAGER | 3021⊗ |
| 38 | 1930163 | KRONEMØTRIK | NUT | MUTTER | M39X2 |
| 39 | 800239 | NAVKAPSEL | HUB CAP | ACHSKAPSEL | |
| 40 | 800944 | VENTIL | VENTIL | WENTIL | TR-618-A |



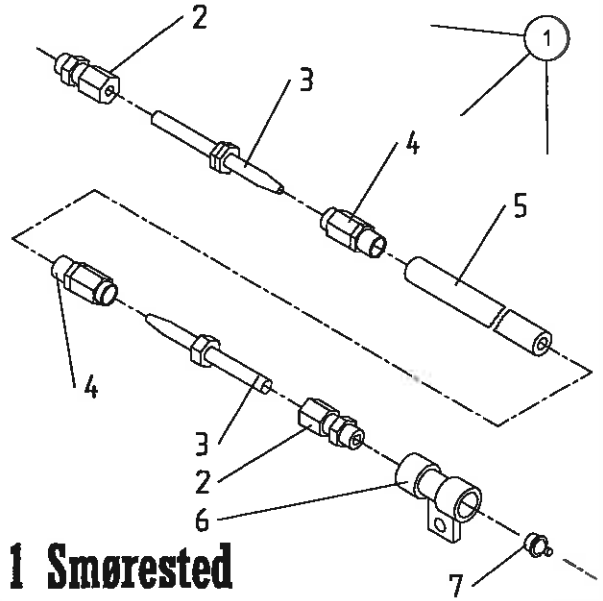
Stålrør 4 mm



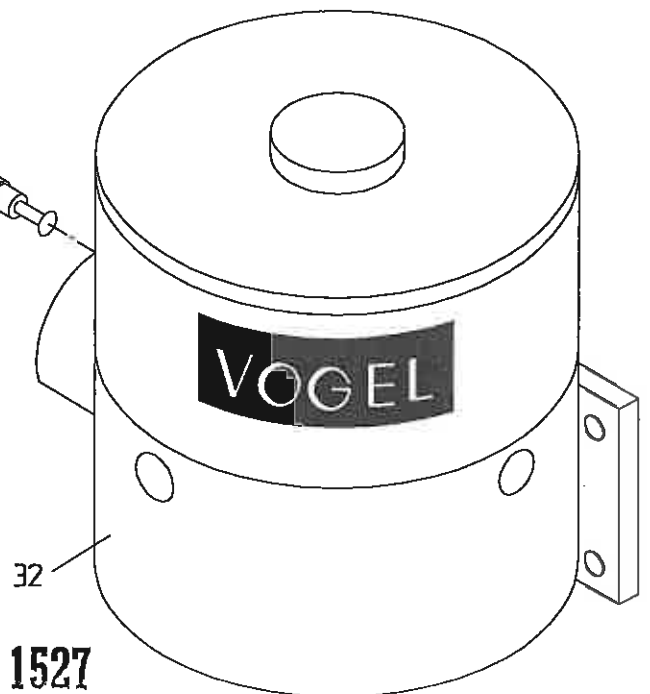
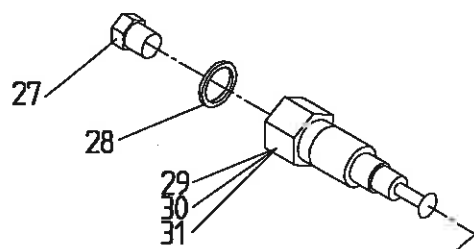
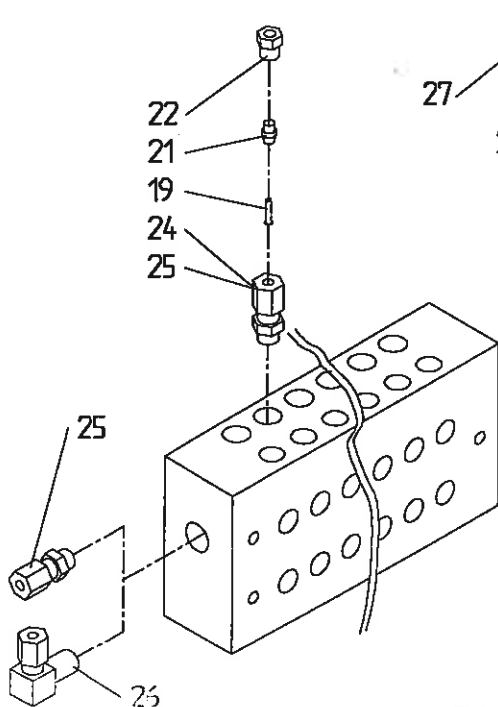
Plastrør 4 mm



Tryksslange 8 mm



1 Smørested





TR-6

| NR. NO. NR. | BESTIL. PART NO. TEIL NR. | BENÆVNELSE | DESCRIPTION | BEZEICHNUNG | BEMÆRKNING REMARKS BEMERKUNGEN |
|-------------------|---------------------------------|------------------------|--|-------------------------------|--------------------------------------|
| 1 | 705000 | 1 SMØRESTED KPL. | 1 SCHMIERSTELLEN CPL. | | POS. 1-7 |
| 2 | 705025 | TILSLUTNING | ADAPTERS | ANSCHLUßSLÜCKE | 1/8"-Ø6 |
| 3 | 705003 | RØRSTUTS | TUBE STUB | ROHSTUTZEN | |
| 4 | 705002 | OMLØBER | SLEEVE | SCHRAUBHÜLSE | |
| 5 | 705001 | TRYKSLANGE | HIGH-PRESSURE HOSE | HOCHDRUCKSCHLAUCH | |
| 6 | 705026 | HOLDER | HOLDER | ROHRVERBINDER | |
| 7 | 501802 | SMØRENIPPEL | GREASE FITTING | SCHMIERNIPPEL | 1/8" RG |
| 8 | 705048 | SAMLESÆT KPL. | VERSCHRAUBUNGEN CPL. | VERBINDER KPL. | POS. 3,4,9 |
| 9 | 705027 | SAMLER | VERSCHRAUBUNGEN | VERBINDER | |
| 10 | 705028 | VINKEL | ELBOW | WINKEL | 1/8"-Ø6 |
| 11 | 705005 | RØRSTUTS | TUBE STUB | ROHRSTUTZEN | |
| 12 | 705004 | TRYKSLANGE MED FEDT | HIGH-PRESSURE HOSE FILLED WITH GREASE | HOCHDRUCKSCHLAUCH MIT FETT | |
| 13 | 705015 | VINKEL | ELBOW | WINKEL | 1/8"-Ø4 |
| 14 | 705011 | TILSLUTNING | ADAPTERS | ANSCHLUßSLÜCKE | 1/8"-Ø4-Ø6 |
| 15 | 705010 | SKÆRERING TIL STÅLRØR | RING | RING | |
| 16 | 705009 | OMLØBER TIL STÅLRØR | UNIONS | ÜBERWURFSCHAUBEN | |
| 17 | 705036 | STÅLRØR | PIPE | ROHR | Ø4 |
| 18 | 705046 | SAMLESÆT KPL. | VERSCHRAUBUNGEN CPL. | VERBINDER KPL. | POS. 19,20 |
| 19 | 705008 | INDSATS TIL PLASTRØR | REINFORCING SOCKETS | EINSTECKHÜLSEN | |
| 20 | 705029 | SAMLER | VERSCHRAUBUNGEN | VERBINDER | |
| 21 | 705007 | SKÆRERING TIL PLASTRØR | RING | RING | |
| 22 | 705006 | OMLØBER TIL PLASTRØR | UNIONS | ÜBERWURFSCHAUBEN | |
| 23 | 705021 | PLASTRØR | HOSE | SCHLAUCH | Ø4 |
| 24 | 705012 | TILSLUTNING | ADAPTERS | ANSCHLUßSLÜCKE | M10-Ø4 |
| 25 | 705030 | TILSLUTNING | ADAPTERS | ANSCHLUßSLÜCKE | M10-Ø6 |
| 26 | 705031 | VINKEL | ELBOW | WINKEL | M10-Ø6 |
| 27 | 705032 | TILSLUTNING | ADAPTERS | ANSCHLUßSLÜCKE | |
| 28 | 705033 | SKIVE | WASHER | SCHEIBE | |
| 29 | 705034 | DOSERSTEMPEL | PUMP ELEMENTS | PUMPENELEMENTE | 2,5CM ³ /MIN |
| 30 | 705017 | DOSERSTEMPEL | PUMP ELEMENTS | PUMPENELEMENTE | 1,8CM ³ /MIN |
| 31 | 705018 | DOSERSTEMPEL | PUMP ELEMENTS | PUMPENELEMENTE | 0,8CM ³ /MIN |
| 32 | 705035 | PUMPE | PUMPS | PUMPEN | 24V |

INDEX - TR-6

| VAREN. . | SIDE | PAG | VAREN. . | SIDE | PAG | VAREN. . | SIDE | PAG |
|----------|----------------|-----|----------|----------------|-----|----------|----------------|-----|
| 500021 | SIDE 99 - 1504 | 19 | 702252 | SIDE 99 - 1522 | 54 | 803066 | SIDE 99 - 1522 | 48 |
| 500308 | SIDE 99 - 1526 | 37 | 702304 | SIDE 99 - 1522 | 55 | 850068 | SIDE 99 - 1519 | 15 |
| 500309 | SIDE 99 - 1526 | 9 | 702305 | SIDE 99 - 1522 | 56 | 850071 | SIDE 99 - 1519 | 11 |
| 500311 | SIDE 99 - 1526 | 35 | 702346 | SIDE 99 - 1522 | 30 | 850072 | SIDE 99 - 1519 | 14 |
| 500335 | SIDE 99 - 1526 | 4 | 702347 | SIDE 99 - 1522 | 29 | 850074 | SIDE 99 - 1519 | 12 |
| 500688 | SIDE 99 - 1504 | 33 | 702356 | SIDE 99 - 1522 | 14 | 850107 | SIDE 99 - 1525 | 2 |
| 500798 | SIDE 99 - 1502 | 19 | 702360 | SIDE 99 - 1522 | 25 | 850278 | SIDE 99 - 1518 | 37 |
| 500798 | SIDE 99 - 1510 | 19 | 702364 | SIDE 99 - 1522 | 12 | 850283 | SIDE 99 - 1518 | 14 |
| 500798 | SIDE 99 - 1512 | 7 | 702374 | SIDE 99 - 1522 | 13 | 850284 | SIDE 99 - 1518 | 15 |
| 500932 | SIDE 99 - 1507 | 15 | 702386 | SIDE 99 - 1522 | 11 | 850285 | SIDE 99 - 1519 | 7 |
| 500962 | SIDE 99 - 1507 | 13 | 702890 | SIDE 99 - 1519 | 2 | 850291 | SIDE 99 - 1518 | 4 |
| 500963 | SIDE 99 - 1507 | 8 | 705000 | SIDE 99 - 1527 | 1 | 850297 | SIDE 99 - 1520 | 8 |
| 500963 | SIDE 99 - 1513 | 18 | 705001 | SIDE 99 - 1527 | 5 | 850298 | SIDE 99 - 1518 | 34 |
| 500964 | SIDE 99 - 1502 | 6 | 705002 | SIDE 99 - 1527 | 4 | 850301 | SIDE 99 - 1518 | 5 |
| 500982 | SIDE 99 - 1507 | 6 | 705003 | SIDE 99 - 1527 | 3 | 850302 | SIDE 99 - 1518 | 6 |
| 501802 | SIDE 99 - 1510 | 11 | 705004 | SIDE 99 - 1527 | 12 | 850303 | SIDE 99 - 1518 | 7 |
| 501802 | SIDE 99 - 1515 | 24 | 705005 | SIDE 99 - 1527 | 11 | 850304 | SIDE 99 - 1518 | 8 |
| 501802 | SIDE 99 - 1516 | 8 | 705006 | SIDE 99 - 1527 | 22 | 850305 | SIDE 99 - 1518 | 9 |
| 501802 | SIDE 99 - 1527 | 7 | 705007 | SIDE 99 - 1527 | 21 | 850307 | SIDE 99 - 1519 | 3 |
| 501852 | SIDE 99 - 1526 | 11 | 705008 | SIDE 99 - 1527 | 19 | 850308 | SIDE 99 - 1518 | 39 |
| 503004 | SIDE 99 - 1507 | 44 | 705009 | SIDE 99 - 1527 | 16 | 850309 | SIDE 99 - 1518 | 38 |
| 503005 | SIDE 99 - 1507 | 45 | 705010 | SIDE 99 - 1527 | 15 | 850310 | SIDE 99 - 1518 | 36 |
| 503007 | SIDE 99 - 1507 | 43 | 705011 | SIDE 99 - 1527 | 14 | 850311 | SIDE 99 - 1518 | 35 |
| 509083 | SIDE 99 - 1510 | 42 | 705012 | SIDE 99 - 1527 | 24 | 850312 | SIDE 99 - 1519 | 6 |
| 509119 | SIDE 99 - 1504 | 22 | 705015 | SIDE 99 - 1527 | 13 | 850313 | SIDE 99 - 1519 | 9 |
| 509200 | SIDE 99 - 1526 | 8 | 705017 | SIDE 99 - 1527 | 30 | 850314 | SIDE 99 - 1518 | 12 |
| 600416 | SIDE 99 - 1518 | 28 | 705018 | SIDE 99 - 1527 | 31 | 850315 | SIDE 99 - 1518 | 13 |
| 600417 | SIDE 99 - 1518 | 44 | 705021 | SIDE 99 - 1527 | 23 | 850318 | SIDE 99 - 1519 | 1 |
| 600419 | SIDE 99 - 1504 | 25 | 705025 | SIDE 99 - 1527 | 2 | 850343 | SIDE 99 - 1520 | 29 |
| 700215 | SIDE 99 - 1501 | 16 | 705026 | SIDE 99 - 1527 | 6 | 850344 | SIDE 99 - 1520 | 11 |
| 700230 | SIDE 99 - 1512 | 33 | 705027 | SIDE 99 - 1527 | 9 | 850345 | SIDE 99 - 1520 | 14 |
| 700233 | SIDE 99 - 1510 | 43 | 705028 | SIDE 99 - 1527 | 10 | 850346 | SIDE 99 - 1518 | 10 |
| 700233 | SIDE 99 - 1512 | 28 | 705029 | SIDE 99 - 1527 | 20 | 850347 | SIDE 99 - 1518 | 11 |
| 700233 | SIDE 99 - 1515 | 17 | 705030 | SIDE 99 - 1527 | 25 | 850373 | SIDE 99 - 1518 | 1 |
| 700235 | SIDE 99 - 1516 | 16 | 705031 | SIDE 99 - 1527 | 26 | 850374 | SIDE 99 - 1518 | 19 |
| 700265 | SIDE 99 - 1501 | 11 | 705032 | SIDE 99 - 1527 | 27 | 850375 | SIDE 99 - 1518 | 20 |
| 700266 | SIDE 99 - 1512 | 38 | 705033 | SIDE 99 - 1527 | 28 | 851006 | SIDE 99 - 1502 | 16 |
| 700266 | SIDE 99 - 1516 | 11 | 705034 | SIDE 99 - 1527 | 29 | 851038 | SIDE 99 - 1504 | 10 |
| 700267 | SIDE 99 - 1510 | 38 | 705035 | SIDE 99 - 1527 | 32 | 851039 | SIDE 99 - 1513 | 32 |
| 700267 | SIDE 99 - 1512 | 23 | 705036 | SIDE 99 - 1527 | 17 | 851042 | SIDE 99 - 1507 | 52 |
| 700267 | SIDE 99 - 1515 | 22 | 705046 | SIDE 99 - 1527 | 18 | 851091 | SIDE 99 - 1502 | 17 |
| 700272 | SIDE 99 - 1501 | 15 | 705048 | SIDE 99 - 1527 | 8 | 851092 | SIDE 99 - 1504 | 11 |
| 700281 | SIDE 99 - 1512 | 34 | 800198 | SIDE 99 - 1526 | 32 | 851094 | SIDE 99 - 1507 | 53 |
| 700282 | SIDE 99 - 1512 | 27 | 800199 | SIDE 99 - 1526 | 13 | 851098 | SIDE 99 - 1513 | 33 |
| 700282 | SIDE 99 - 1515 | 18 | 800237 | SIDE 99 - 1526 | 2 | 851230 | SIDE 99 - 1518 | 3 |
| 700284 | SIDE 99 - 1516 | 15 | 800239 | SIDE 99 - 1526 | 39 | 851230 | SIDE 99 - 1522 | 21 |
| 700401 | SIDE 99 - 1501 | 29 | 800254 | SIDE 99 - 1526 | 34 | 851236 | SIDE 99 - 1522 | 1 |
| 700401 | SIDE 99 - 1512 | 42 | 800284 | SIDE 99 - 1526 | 7 | 851237 | SIDE 99 - 1522 | 2 |
| 700432 | SIDE 99 - 1510 | 45 | 800293 | SIDE 99 - 1526 | 12 | 851238 | SIDE 99 - 1522 | 3 |
| 700432 | SIDE 99 - 1512 | 44 | 800295 | SIDE 99 - 1526 | 36 | 851242 | SIDE 99 - 1522 | 26 |
| 700432 | SIDE 99 - 1515 | 14 | 800600 | SIDE 99 - 1526 | 10 | 851243 | SIDE 99 - 1522 | 8 |
| 700432 | SIDE 99 - 1516 | 18 | 800942 | SIDE 99 - 1526 | 1 | 851244 | SIDE 99 - 1522 | 9 |
| 700450 | SIDE 99 - 1501 | 13 | 800943 | SIDE 99 - 1526 | 17 | 851245 | SIDE 99 - 1522 | 10 |
| 700451 | SIDE 99 - 1512 | 40 | 800944 | SIDE 99 - 1526 | 40 | 851255 | SIDE 99 - 1522 | 28 |
| 700451 | SIDE 99 - 1516 | 13 | 800945 | SIDE 99 - 1526 | 16 | 851256 | SIDE 99 - 1522 | 31 |
| 700505 | SIDE 99 - 1510 | 40 | 800946 | SIDE 99 - 1526 | 27 | 851295 | SIDE 99 - 1519 | 18 |
| 700505 | SIDE 99 - 1512 | 25 | 800947 | SIDE 99 - 1526 | 28 | 851443 | SIDE 99 - 1522 | 24 |
| 700505 | SIDE 99 - 1515 | 20 | 800948 | SIDE 99 - 1526 | 25 | 851449 | SIDE 99 - 1502 | 13 |
| 702019 | SIDE 99 - 1522 | 16 | 800949 | SIDE 99 - 1526 | 24 | 851990 | SIDE 99 - 1522 | 6 |
| 702021 | SIDE 99 - 1522 | 15 | 800971 | SIDE 99 - 1526 | 23 | 851992 | SIDE 99 - 1519 | 20 |
| 702024 | SIDE 99 - 1522 | 22 | 800972 | SIDE 99 - 1526 | 22 | 853027 | SIDE 99 - 1526 | 20 |
| 702025 | SIDE 99 - 1522 | 23 | 800973 | SIDE 99 - 1526 | 26 | 853028 | SIDE 99 - 1526 | 21 |
| 702224 | SIDE 99 - 1522 | 18 | 800974 | SIDE 99 - 1526 | 19 | 855006 | SIDE 99 - 1512 | 35 |
| 702233 | SIDE 99 - 1522 | 27 | 800975 | SIDE 99 - 1526 | 18 | 855009 | SIDE 99 - 1512 | 41 |
| 702234 | SIDE 99 - 1522 | 20 | 800978 | SIDE 99 - 1526 | 30 | 855016 | SIDE 99 - 1501 | 27 |
| 702235 | SIDE 99 - 1522 | 17 | 800979 | SIDE 99 - 1526 | 31 | 855020 | SIDE 99 - 1501 | 14 |
| 702241 | SIDE 99 - 1522 | 53 | 803066 | SIDE 99 - 1505 | 8 | 855042 | SIDE 99 - 1512 | 21 |
| 702248 | SIDE 99 - 1522 | 19 | 803066 | SIDE 99 - 1520 | 13 | 855045 | SIDE 99 - 1512 | 26 |

INDEX - TR-6

| VAREN. . | SIDE | POS | VAREN. . | SIDE | POS | VAREN. . | SIDE | POS |
|----------|----------------|-----|----------|----------------|-----|----------|----------------|-----|
| 855047 | SIDE 99 - 1510 | 36 | 862710 | SIDE 99 - 1524 | 11 | 1923052 | SIDE 99 - 1522 | 47 |
| 855050 | SIDE 99 - 1510 | 41 | 910329 | SIDE 99 - 1507 | 58 | 1923053 | SIDE 99 - 1505 | 12 |
| 855057 | SIDE 99 - 1516 | 9 | 910329 | SIDE 99 - 1508 | 9 | 1923075 | SIDE 99 - 1518 | 29 |
| 855060 | SIDE 99 - 1516 | 14 | 910334 | SIDE 99 - 1502 | 26 | 1923077 | SIDE 99 - 1504 | 7 |
| 855067 | SIDE 99 - 1512 | 32 | 910762 | SIDE 99 - 1512 | 16 | 1923077 | SIDE 99 - 1525 | 38 |
| 855068 | SIDE 99 - 1512 | 37 | 910764 | SIDE 99 - 1505 | 35 | 1923079 | SIDE 99 - 1508 | 21 |
| 855069 | SIDE 99 - 1512 | 39 | 910766 | SIDE 99 - 1516 | 7 | 1923082 | SIDE 99 - 1505 | 24 |
| 855070 | SIDE 99 - 1512 | 22 | 910804 | SIDE 99 - 1526 | 6 | 1923103 | SIDE 99 - 1507 | 2 |
| 855071 | SIDE 99 - 1512 | 24 | 910960 | SIDE 99 - 1512 | 19 | 1923103 | SIDE 99 - 1508 | 14 |
| 855072 | SIDE 99 - 1512 | 29 | 911574 | SIDE 99 - 1501 | 26 | 1923151 | SIDE 99 - 1507 | 41 |
| 855073 | SIDE 99 - 1515 | 15 | 911672 | SIDE 99 - 1510 | 30 | 1923152 | SIDE 99 - 1522 | 43 |
| 855075 | SIDE 99 - 1515 | 19 | 911672 | SIDE 99 - 1512 | 3 | 1923153 | SIDE 99 - 1501 | 25 |
| 855076 | SIDE 99 - 1515 | 21 | 911674 | SIDE 99 - 1515 | 12 | 1923153 | SIDE 99 - 1522 | 42 |
| 855077 | SIDE 99 - 1515 | 23 | 911674 | SIDE 99 - 1516 | 4 | 1923153 | SIDE 99 - 1525 | 11 |
| 855078 | SIDE 99 - 1516 | 10 | 911678 | SIDE 99 - 1510 | 31 | 1923154 | SIDE 99 - 1507 | 55 |
| 855079 | SIDE 99 - 1516 | 12 | 912006 | SIDE 99 - 1512 | 31 | 1923154 | SIDE 99 - 1513 | 23 |
| 855080 | SIDE 99 - 1516 | 17 | 922101 | SIDE 99 - 1518 | 31 | 1923155 | SIDE 99 - 1504 | 12 |
| 855081 | SIDE 99 - 1510 | 37 | 930185 | SIDE 99 - 1526 | 15 | 1923202 | SIDE 99 - 1508 | 2 |
| 855082 | SIDE 99 - 1510 | 39 | 930420 | SIDE 99 - 1526 | 14 | 1923204 | SIDE 99 - 1504 | 31 |
| 855083 | SIDE 99 - 1510 | 44 | 930950 | SIDE 99 - 1515 | 25 | 1924001 | SIDE 99 - 1513 | 49 |
| 855084 | SIDE 99 - 1501 | 10 | 931079 | SIDE 99 - 1502 | 8 | 1924053 | SIDE 99 - 1513 | 5 |
| 855085 | SIDE 99 - 1501 | 12 | 931366 | SIDE 99 - 1507 | 38 | 1926005 | SIDE 99 - 1505 | 23 |
| 855086 | SIDE 99 - 1501 | 17 | 931384 | SIDE 99 - 1507 | 36 | 1926005 | SIDE 99 - 1511 | 9 |
| 855089 | SIDE 99 - 1515 | 16 | 931385 | SIDE 99 - 1513 | 16 | 1926006 | SIDE 99 - 1501 | 30 |
| 861004 | SIDE 99 - 1525 | 19 | 931386 | SIDE 99 - 1507 | 54 | 1926023 | SIDE 99 - 1502 | 46 |
| 861005 | SIDE 99 - 1525 | 18 | 931386 | SIDE 99 - 1513 | 15 | 1926023 | SIDE 99 - 1507 | 12 |
| 861051 | SIDE 99 - 1525 | 6 | 931407 | SIDE 99 - 1504 | 23 | 1926023 | SIDE 99 - 1511 | 4 |
| 861052 | SIDE 99 - 1525 | 17 | 931413 | SIDE 99 - 1502 | 7 | 1926023 | SIDE 99 - 1520 | 22 |
| 861056 | SIDE 99 - 1525 | 4 | 932025 | SIDE 99 - 1502 | 20 | 1926024 | SIDE 99 - 1511 | 21 |
| 861058 | SIDE 99 - 1525 | 3 | 932025 | SIDE 99 - 1510 | 20 | 1926054 | SIDE 99 - 1507 | 7 |
| 861103 | SIDE 99 - 1525 | 35 | 932025 | SIDE 99 - 1512 | 8 | 1926057 | SIDE 99 - 1502 | 34 |
| 861150 | SIDE 99 - 1525 | 23 | 932040 | SIDE 99 - 1504 | 16 | 1930162 | SIDE 99 - 1526 | 3 |
| 861152 | SIDE 99 - 1525 | 22 | 932252 | SIDE 99 - 1510 | 35 | 1930163 | SIDE 99 - 1526 | 38 |
| 861152 | SIDE 99 - 1525 | 5 | 932280 | SIDE 99 - 1504 | 32 | 1930326 | SIDE 99 - 1520 | 33 |
| 861157 | SIDE 99 - 1525 | 1 | 932453 | SIDE 99 - 1504 | 18 | 1930725 | SIDE 99 - 1525 | 16 |
| 861158 | SIDE 99 - 1525 | 36 | 940004 | SIDE 99 - 1504 | 39 | 1930726 | SIDE 99 - 1505 | 4 |
| 861159 | SIDE 99 - 1525 | 26 | 1902304 | SIDE 99 - 1502 | 14 | 1930726 | SIDE 99 - 1513 | 31 |
| 861160 | SIDE 99 - 1525 | 33 | 1904279 | SIDE 99 - 1502 | 11 | 1930726 | SIDE 99 - 1520 | 18 |
| 861439 | SIDE 99 - 1524 | 22 | 1904279 | SIDE 99 - 1513 | 19 | 1930726 | SIDE 99 - 1522 | 44 |
| 861501 | SIDE 99 - 1525 | 28 | 1905539 | SIDE 99 - 1504 | 35 | 1930727 | SIDE 99 - 1501 | 32 |
| 861726 | SIDE 99 - 1524 | 21 | 1905583 | SIDE 99 - 1502 | 9 | 1930727 | SIDE 99 - 1505 | 17 |
| 862042 | SIDE 99 - 1524 | 13 | 1905583 | SIDE 99 - 1507 | 49 | 1930727 | SIDE 99 - 1511 | 11 |
| 862080 | SIDE 99 - 1524 | 14 | 1905583 | SIDE 99 - 1513 | 25 | 1930727 | SIDE 99 - 1513 | 7 |
| 862080 | SIDE 99 - 1524 | 23 | 1905596 | SIDE 99 - 1504 | 26 | 1930727 | SIDE 99 - 1518 | 24 |
| 862093 | SIDE 99 - 1524 | 15 | 1905606 | SIDE 99 - 1515 | 4 | 1930727 | SIDE 99 - 1525 | 41 |
| 862095 | SIDE 99 - 1524 | 16 | 1905619 | SIDE 99 - 1520 | 6 | 1930728 | SIDE 99 - 1501 | 8 |
| 862097 | SIDE 99 - 1524 | 17 | 1905620 | SIDE 99 - 1502 | 37 | 1930728 | SIDE 99 - 1502 | 50 |
| 862098 | SIDE 99 - 1524 | 18 | 1905620 | SIDE 99 - 1513 | 40 | 1930728 | SIDE 99 - 1505 | 29 |
| 862167 | SIDE 99 - 1524 | 19 | 1906582 | SIDE 99 - 1504 | 21 | 1930728 | SIDE 99 - 1507 | 3 |
| 862286 | SIDE 99 - 1518 | 17 | 1920206 | SIDE 99 - 1513 | 8 | 1930728 | SIDE 99 - 1508 | 10 |
| 862359 | SIDE 99 - 1525 | 29 | 1920209 | SIDE 99 - 1519 | 22 | 1930728 | SIDE 99 - 1510 | 5 |
| 862360 | SIDE 99 - 1525 | 32 | 1920214 | SIDE 99 - 1522 | 32 | 1930728 | SIDE 99 - 1511 | 7 |
| 862361 | SIDE 99 - 1525 | 24 | 1920215 | SIDE 99 - 1522 | 33 | 1930728 | SIDE 99 - 1513 | 10 |
| 862362 | SIDE 99 - 1525 | 25 | 1922615 | SIDE 99 - 1513 | 34 | 1930728 | SIDE 99 - 1519 | 26 |
| 862368 | SIDE 99 - 1524 | 20 | 1922626 | SIDE 99 - 1513 | 12 | 1930728 | SIDE 99 - 1520 | 23 |
| 862369 | SIDE 99 - 1525 | 20 | 1922627 | SIDE 99 - 1505 | 16 | 1930728 | SIDE 99 - 1522 | 36 |
| 862370 | SIDE 99 - 1525 | 21 | 1922628 | SIDE 99 - 1501 | 6 | 1930730 | SIDE 99 - 1501 | 24 |
| 862380 | SIDE 99 - 1524 | 12 | 1922632 | SIDE 99 - 1505 | 26 | 1930730 | SIDE 99 - 1502 | 12 |
| 862700 | SIDE 99 - 1524 | 1 | 1922633 | SIDE 99 - 1520 | 28 | 1930730 | SIDE 99 - 1507 | 11 |
| 862701 | SIDE 99 - 1524 | 2 | 1922653 | SIDE 99 - 1507 | 14 | 1930730 | SIDE 99 - 1510 | 15 |
| 862702 | SIDE 99 - 1524 | 7 | 1922655 | SIDE 99 - 1504 | 13 | 1930730 | SIDE 99 - 1522 | 39 |
| 862703 | SIDE 99 - 1524 | 6 | 1922657 | SIDE 99 - 1501 | 21 | 1930730 | SIDE 99 - 1525 | 7 |
| 862704 | SIDE 99 - 1524 | 5 | 1922710 | SIDE 99 - 1508 | 5 | 1930802 | SIDE 99 - 1504 | 4 |
| 862705 | SIDE 99 - 1524 | 4 | 1922741 | SIDE 99 - 1515 | 6 | 1930802 | SIDE 99 - 1508 | 18 |
| 862706 | SIDE 99 - 1524 | 3 | 1923041 | SIDE 99 - 1525 | 13 | 1930802 | SIDE 99 - 1520 | 3 |
| 862707 | SIDE 99 - 1524 | 8 | 1923052 | SIDE 99 - 1505 | 9 | 1930803 | SIDE 99 - 1505 | 13 |
| 862708 | SIDE 99 - 1524 | 9 | 1923052 | SIDE 99 - 1513 | 29 | 1930803 | SIDE 99 - 1508 | 16 |
| 862709 | SIDE 99 - 1524 | 10 | 1923052 | SIDE 99 - 1520 | 12 | 1930803 | SIDE 99 - 1511 | 8 |

INDEX - TR-6

| VARENR. | SIDE | POS | VARENR. | SIDE | POS | VARENR. | SIDE | POS |
|---------|----------------|-----|----------|----------------|-----|----------|----------------|-----|
| 1930805 | SIDE 99 - 1502 | 31 | 1930945 | SIDE 99 - 1507 | 4 | 15340820 | SIDE 99 - 1508 | 20 |
| 1930805 | SIDE 99 - 1504 | 8 | 1930945 | SIDE 99 - 1508 | 11 | 15340830 | SIDE 99 - 1508 | 23 |
| 1930805 | SIDE 99 - 1507 | 56 | 1930945 | SIDE 99 - 1510 | 6 | 15340840 | SIDE 99 - 1508 | 7 |
| 1930805 | SIDE 99 - 1513 | 21 | 1930945 | SIDE 99 - 1511 | 6 | 15340850 | SIDE 99 - 1508 | 8 |
| 1930807 | SIDE 99 - 1501 | 28 | 1930945 | SIDE 99 - 1513 | 9 | 15340860 | SIDE 99 - 1504 | 38 |
| 1930807 | SIDE 99 - 1504 | 29 | 1930945 | SIDE 99 - 1518 | 32 | 15615661 | SIDE 99 - 1515 | 2 |
| 1930807 | SIDE 99 - 1508 | 4 | 1930945 | SIDE 99 - 1519 | 25 | 15616933 | SIDE 99 - 1507 | 31 |
| 1930807 | SIDE 99 - 1512 | 43 | 1930945 | SIDE 99 - 1520 | 24 | 15616934 | SIDE 99 - 1507 | 30 |
| 1930809 | SIDE 99 - 1502 | 22 | 1930945 | SIDE 99 - 1522 | 35 | 15616935 | SIDE 99 - 1507 | 32 |
| 1930809 | SIDE 99 - 1510 | 21 | 1930947 | SIDE 99 - 1501 | 23 | 15616936 | SIDE 99 - 1507 | 33 |
| 1930809 | SIDE 99 - 1512 | 11 | 1930947 | SIDE 99 - 1502 | 10 | 15616937 | SIDE 99 - 1507 | 34 |
| 1930809 | SIDE 99 - 1515 | 7 | 1930947 | SIDE 99 - 1507 | 10 | 15616938 | SIDE 99 - 1507 | 35 |
| 1930810 | SIDE 99 - 1510 | 10 | 1930947 | SIDE 99 - 1510 | 14 | 15620925 | SIDE 99 - 1507 | 29 |
| 1930810 | SIDE 99 - 1510 | 46 | 1930947 | SIDE 99 - 1522 | 40 | 15623223 | SIDE 99 - 1519 | 4 |
| 1930810 | SIDE 99 - 1512 | 18 | 1930947 | SIDE 99 - 1525 | 8 | 15650060 | SIDE 99 - 1518 | 43 |
| 1930810 | SIDE 99 - 1512 | 45 | 15106920 | SIDE 99 - 1510 | 1 | 15650080 | SIDE 99 - 1518 | 42 |
| 1930810 | SIDE 99 - 1515 | 5 | 15106930 | SIDE 99 - 1504 | 3 | 15650112 | SIDE 99 - 1520 | 10 |
| 1930810 | SIDE 99 - 1516 | 19 | 15106930 | SIDE 99 - 1505 | 3 | 15650140 | SIDE 99 - 1520 | 26 |
| 1930902 | SIDE 99 - 1525 | 14 | 15107000 | SIDE 99 - 1507 | 1 | 15650420 | SIDE 99 - 1504 | 17 |
| 1930903 | SIDE 99 - 1520 | 16 | 15107000 | SIDE 99 - 1508 | 1 | 15650430 | SIDE 99 - 1504 | 15 |
| 1930903 | SIDE 99 - 1522 | 46 | 15215171 | SIDE 99 - 1513 | 39 | 15650440 | SIDE 99 - 1504 | 14 |
| 1930904 | SIDE 99 - 1508 | 19 | 15215910 | SIDE 99 - 1519 | 19 | 15650840 | SIDE 99 - 1525 | 12 |
| 1930904 | SIDE 99 - 1518 | 26 | 15215970 | SIDE 99 - 1505 | 7 | 15651350 | SIDE 99 - 1522 | 50 |
| 1930904 | SIDE 99 - 1520 | 4 | 15301971 | SIDE 99 - 1505 | 31 | 15651390 | SIDE 99 - 1505 | 25 |
| 1930904 | SIDE 99 - 1525 | 39 | 15329450 | SIDE 99 - 1502 | 47 | 15651480 | SIDE 99 - 1505 | 27 |
| 1930905 | SIDE 99 - 1502 | 48 | 15329470 | SIDE 99 - 1520 | 21 | 15651491 | SIDE 99 - 1522 | 37 |
| 1930905 | SIDE 99 - 1505 | 14 | 15329780 | SIDE 99 - 1504 | 20 | 15651492 | SIDE 99 - 1522 | 36 |
| 1930905 | SIDE 99 - 1507 | 5 | 15329790 | SIDE 99 - 1504 | 24 | 15651500 | SIDE 99 - 1520 | 5 |
| 1930905 | SIDE 99 - 1508 | 12 | 15329801 | SIDE 99 - 1504 | 28 | 15651520 | SIDE 99 - 1519 | 23 |
| 1930905 | SIDE 99 - 1511 | 5 | 15329802 | SIDE 99 - 1504 | 27 | 15651550 | SIDE 99 - 1505 | 10 |
| 1930905 | SIDE 99 - 1518 | 33 | 15329810 | SIDE 99 - 1504 | 34 | 15651560 | SIDE 99 - 1508 | 6 |
| 1930905 | SIDE 99 - 1519 | 24 | 15329830 | SIDE 99 - 1504 | 6 | 15651670 | SIDE 99 - 1525 | 27 |
| 1930905 | SIDE 99 - 1520 | 25 | 15329841 | SIDE 99 - 1505 | 1 | 15651780 | SIDE 99 - 1526 | 33 |
| 1930905 | SIDE 99 - 1522 | 34 | 15329842 | SIDE 99 - 1505 | 2 | 15651790 | SIDE 99 - 1526 | 29 |
| 1930907 | SIDE 99 - 1502 | 30 | 15329850 | SIDE 99 - 1502 | 5 | 15651990 | SIDE 99 - 1510 | 48 |
| 1930907 | SIDE 99 - 1504 | 9 | 15329980 | SIDE 99 - 1513 | 13 | 15652000 | SIDE 99 - 1510 | 34 |
| 1930907 | SIDE 99 - 1505 | 34 | 15340000 | SIDE 99 - 1520 | 9 | 15652140 | SIDE 99 - 1505 | 22 |
| 1930907 | SIDE 99 - 1507 | 9 | 15340030 | SIDE 99 - 1520 | 30 | 15652150 | SIDE 99 - 1505 | 20 |
| 1930907 | SIDE 99 - 1513 | 20 | 15340050 | SIDE 99 - 1520 | 27 | 15652160 | SIDE 99 - 1505 | 21 |
| 1930907 | SIDE 99 - 1522 | 41 | 15340060 | SIDE 99 - 1520 | 15 | 15652280 | SIDE 99 - 1513 | 46 |
| 1930907 | SIDE 99 - 1525 | 10 | 15340071 | SIDE 99 - 1520 | 19 | 15652300 | SIDE 99 - 1511 | 15 |
| 1930910 | SIDE 99 - 1502 | 43 | 15340072 | SIDE 99 - 1520 | 20 | 15652310 | SIDE 99 - 1511 | 16 |
| 1930910 | SIDE 99 - 1507 | 57 | 15340080 | SIDE 99 - 1522 | 49 | 15652320 | SIDE 99 - 1511 | 13 |
| 1930912 | SIDE 99 - 1515 | 26 | 15340091 | SIDE 99 - 1522 | 51 | 15652350 | SIDE 99 - 1511 | 19 |
| 1930923 | SIDE 99 - 1505 | 6 | 15340092 | SIDE 99 - 1522 | 52 | 15652360 | SIDE 99 - 1511 | 17 |
| 1930923 | SIDE 99 - 1513 | 50 | 15340120 | SIDE 99 - 1505 | 33 | 15652370 | SIDE 99 - 1511 | 20 |
| 1930924 | SIDE 99 - 1501 | 31 | 15340270 | SIDE 99 - 1520 | 34 | 15652380 | SIDE 99 - 1511 | 18 |
| 1930924 | SIDE 99 - 1504 | 5 | 15340450 | SIDE 99 - 1513 | 43 | 15652620 | SIDE 99 - 1519 | 17 |
| 1930924 | SIDE 99 - 1505 | 19 | 15340460 | SIDE 99 - 1526 | 5 | 15652631 | SIDE 99 - 1504 | 1 |
| 1930924 | SIDE 99 - 1511 | 14 | 15340510 | SIDE 99 - 1511 | 1 | 15652632 | SIDE 99 - 1504 | 2 |
| 1930924 | SIDE 99 - 1513 | 6 | 15340520 | SIDE 99 - 1510 | 7 | 15652860 | SIDE 99 - 1507 | 17 |
| 1930927 | SIDE 99 - 1501 | 22 | 15340530 | SIDE 99 - 1518 | 2 | 15652881 | SIDE 99 - 1507 | 18 |
| 1930929 | SIDE 99 - 1504 | 30 | 15340530 | SIDE 99 - 1522 | 7 | 15652882 | SIDE 99 - 1507 | 19 |
| 1930929 | SIDE 99 - 1508 | 3 | 15340590 | SIDE 99 - 1511 | 3 | 15652883 | SIDE 99 - 1507 | 20 |
| 1930930 | SIDE 99 - 1510 | 47 | 15340600 | SIDE 99 - 1511 | 2 | 15652884 | SIDE 99 - 1507 | 21 |
| 1930942 | SIDE 99 - 1525 | 15 | 15340610 | SIDE 99 - 1510 | 27 | 15652885 | SIDE 99 - 1507 | 16 |
| 1930943 | SIDE 99 - 1505 | 5 | 15340620 | SIDE 99 - 1504 | 36 | 15652920 | SIDE 99 - 1508 | 25 |
| 1930943 | SIDE 99 - 1513 | 30 | 15340630 | SIDE 99 - 1504 | 37 | 15652930 | SIDE 99 - 1508 | 22 |
| 1930943 | SIDE 99 - 1520 | 17 | 15340650 | SIDE 99 - 1505 | 11 | 15653000 | SIDE 99 - 1504 | 41 |
| 1930943 | SIDE 99 - 1522 | 45 | 15340710 | SIDE 99 - 1508 | 15 | 15653170 | SIDE 99 - 1504 | 40 |
| 1930944 | SIDE 99 - 1505 | 18 | 15340720 | SIDE 99 - 1508 | 13 | 15653370 | SIDE 99 - 1518 | 18 |
| 1930944 | SIDE 99 - 1511 | 10 | 15340740 | SIDE 99 - 1508 | 17 | 15654160 | SIDE 99 - 1507 | 47 |
| 1930944 | SIDE 99 - 1513 | 37 | 15340760 | SIDE 99 - 1507 | 22 | 15654190 | SIDE 99 - 1505 | 15 |
| 1930944 | SIDE 99 - 1518 | 25 | 15340770 | SIDE 99 - 1507 | 23 | 15654200 | SIDE 99 - 1508 | 24 |
| 1930944 | SIDE 99 - 1525 | 40 | 15340780 | SIDE 99 - 1507 | 24 | 15654210 | SIDE 99 - 1505 | 36 |
| 1930945 | SIDE 99 - 1501 | 7 | 15340790 | SIDE 99 - 1507 | 25 | 24307410 | SIDE 99 - 1502 | 44 |
| 1930945 | SIDE 99 - 1502 | 49 | 15340800 | SIDE 99 - 1507 | 26 | 25438352 | SIDE 99 - 1516 | 6 |
| 1930945 | SIDE 99 - 1505 | 28 | 15340810 | SIDE 99 - 1507 | 27 | 25438860 | SIDE 99 - 1507 | 42 |

INDEX - TR-6

| VARENR. | SIDE | POS | VARENR. | SIDE | POS | VARENR. | SIDE | POS |
|----------|----------------|-----|----------|----------------|-----|---------|------|-----|
| 25455390 | SIDE 99 - 1510 | 32 | 39616840 | SIDE 99 - 1502 | 42 | | | |
| 25455560 | SIDE 99 - 1512 | 15 | 39616840 | SIDE 99 - 1510 | 18 | | | |
| 25466360 | SIDE 99 - 1510 | 33 | 39616840 | SIDE 99 - 1512 | 14 | | | |
| 26320500 | SIDE 99 - 1507 | 50 | 39616850 | SIDE 99 - 1512 | 12 | | | |
| 26435830 | SIDE 99 - 1512 | 36 | 39617000 | SIDE 99 - 1507 | 39 | | | |
| 26478590 | SIDE 99 - 1502 | 24 | 39617721 | SIDE 99 - 1515 | 9 | | | |
| 26478590 | SIDE 99 - 1510 | 24 | 39617722 | SIDE 99 - 1516 | 2 | | | |
| 26478590 | SIDE 99 - 1512 | 5 | 39617740 | SIDE 99 - 1515 | 10 | | | |
| 26482430 | SIDE 99 - 1502 | 23 | 39617750 | SIDE 99 - 1515 | 11 | | | |
| 26482430 | SIDE 99 - 1510 | 23 | 39618010 | SIDE 99 - 1502 | 1 | | | |
| 26482430 | SIDE 99 - 1512 | 4 | 39618020 | SIDE 99 - 1502 | 3 | | | |
| 26482440 | SIDE 99 - 1502 | 25 | 39618040 | SIDE 99 - 1502 | 41 | | | |
| 26482440 | SIDE 99 - 1510 | 25 | 39618071 | SIDE 99 - 1502 | 28 | | | |
| 26482440 | SIDE 99 - 1512 | 6 | 39618072 | SIDE 99 - 1502 | 29 | | | |
| 26482700 | SIDE 99 - 1502 | 18 | 39618111 | SIDE 99 - 1502 | 32 | | | |
| 26482700 | SIDE 99 - 1510 | 28 | 39618112 | SIDE 99 - 1502 | 33 | | | |
| 26482700 | SIDE 99 - 1512 | 10 | 39618440 | SIDE 99 - 1513 | 42 | | | |
| 26483530 | SIDE 99 - 1502 | 15 | 39618450 | SIDE 99 - 1502 | 39 | | | |
| 26483530 | SIDE 99 - 1507 | 40 | 39618610 | SIDE 99 - 1519 | 13 | | | |
| 26492710 | SIDE 99 - 1513 | 26 | 39618890 | SIDE 99 - 1501 | 5 | | | |
| 26492731 | SIDE 99 - 1513 | 27 | 39618901 | SIDE 99 - 1501 | 19 | | | |
| 26492732 | SIDE 99 - 1513 | 28 | 39618902 | SIDE 99 - 1501 | 20 | | | |
| 26497740 | SIDE 99 - 1515 | 13 | 39618950 | SIDE 99 - 1501 | 1 | | | |
| 27609840 | SIDE 99 - 1512 | 17 | 39618960 | SIDE 99 - 1501 | 2 | | | |
| 28328100 | SIDE 99 - 1522 | 5 | 39618970 | SIDE 99 - 1501 | 3 | | | |
| 28328721 | SIDE 99 - 1525 | 31 | 39619120 | SIDE 99 - 1502 | 38 | | | |
| 28328722 | SIDE 99 - 1525 | 30 | 39619120 | SIDE 99 - 1513 | 41 | | | |
| 28328900 | SIDE 99 - 1525 | 9 | 39619200 | SIDE 99 - 1510 | 26 | | | |
| 28430676 | SIDE 99 - 1513 | 17 | 39619270 | SIDE 99 - 1510 | 8 | | | |
| 28615960 | SIDE 99 - 1522 | 4 | 39620650 | SIDE 99 - 1502 | 21 | | | |
| 28621660 | SIDE 99 - 1507 | 37 | 39620650 | SIDE 99 - 1510 | 22 | | | |
| 28627370 | SIDE 99 - 1525 | 34 | 39620650 | SIDE 99 - 1512 | 9 | | | |
| 28627670 | SIDE 99 - 1520 | 32 | 39620890 | SIDE 99 - 1507 | 46 | | | |
| 28628280 | SIDE 99 - 1507 | 51 | 39620990 | SIDE 99 - 1512 | 20 | | | |
| 30494380 | SIDE 99 - 1516 | 3 | 39620995 | SIDE 99 - 1512 | 30 | | | |
| 36105060 | SIDE 99 - 1513 | 14 | 39621000 | SIDE 99 - 1502 | 36 | | | |
| 39106270 | SIDE 99 - 1512 | 1 | 39622110 | SIDE 99 - 1507 | 48 | | | |
| 39106280 | SIDE 99 - 1513 | 1 | 39622240 | SIDE 99 - 1510 | 9 | | | |
| 39215000 | SIDE 99 - 1520 | 31 | 39622490 | SIDE 99 - 1501 | 9 | | | |
| 39215010 | SIDE 99 - 1502 | 2 | 39622500 | SIDE 99 - 1501 | 18 | | | |
| 39215110 | SIDE 99 - 1501 | 4 | 39622561 | SIDE 99 - 1512 | 47 | | | |
| 39215160 | SIDE 99 - 1507 | 28 | 39622562 | SIDE 99 - 1512 | 46 | | | |
| 39215179 | SIDE 99 - 1513 | 48 | 39622563 | SIDE 99 - 1513 | 47 | | | |
| 39215300 | SIDE 99 - 1502 | 40 | 39623160 | SIDE 99 - 1518 | 16 | | | |
| 39215309 | SIDE 99 - 1502 | 45 | 39623470 | SIDE 99 - 1519 | 10 | | | |
| 39326780 | SIDE 99 - 1510 | 17 | 39626630 | SIDE 99 - 1513 | 38 | | | |
| 39326930 | SIDE 99 - 1516 | 1 | 39626650 | SIDE 99 - 1513 | 36 | | | |
| 39326960 | SIDE 99 - 1515 | 1 | 39626660 | SIDE 99 - 1513 | 35 | | | |
| 39327070 | SIDE 99 - 1513 | 44 | 39628420 | SIDE 99 - 1510 | 2 | | | |
| 39327860 | SIDE 99 - 1519 | 16 | 39628460 | SIDE 99 - 1510 | 13 | | | |
| 39329170 | SIDE 99 - 1518 | 41 | 39628610 | SIDE 99 - 1520 | 1 | | | |
| 39329180 | SIDE 99 - 1518 | 40 | 39628620 | SIDE 99 - 1520 | 2 | | | |
| 39329190 | SIDE 99 - 1519 | 8 | 39629110 | SIDE 99 - 1518 | 30 | | | |
| 39329240 | SIDE 99 - 1502 | 35 | 39629120 | SIDE 99 - 1518 | 27 | | | |
| 39329490 | SIDE 99 - 1515 | 8 | 39629130 | SIDE 99 - 1520 | 7 | | | |
| 39329500 | SIDE 99 - 1513 | 11 | 39629310 | SIDE 99 - 1519 | 5 | | | |
| 39329511 | SIDE 99 - 1510 | 3 | 39629322 | SIDE 99 - 1519 | 21 | | | |
| 39329512 | SIDE 99 - 1510 | 4 | 63409540 | SIDE 99 - 1516 | 5 | | | |
| 39613291 | SIDE 99 - 1513 | 45 | 63412880 | SIDE 99 - 1512 | 13 | | | |
| 39615660 | SIDE 99 - 1515 | 3 | 64416700 | SIDE 99 - 1511 | 12 | | | |
| 39616412 | SIDE 99 - 1502 | 4 | 64429210 | SIDE 99 - 1513 | 22 | | | |
| 39616510 | SIDE 99 - 1513 | 2 | 90406370 | SIDE 99 - 1505 | 30 | | | |
| 39616540 | SIDE 99 - 1513 | 3 | 90414350 | SIDE 99 - 1505 | 32 | | | |
| 39616550 | SIDE 99 - 1513 | 4 | 92326410 | SIDE 99 - 1513 | 24 | | | |
| 39616570 | SIDE 99 - 1510 | 29 | | | | | | |
| 39616570 | SIDE 99 - 1512 | 2 | | | | | | |
| 39616790 | SIDE 99 - 1510 | 12 | | | | | | |
| 39616830 | SIDE 99 - 1510 | 16 | | | | | | |



BRUGERVEJLEDNING FOR: ROERENSER TR-6



Vigtigt: Før maskinen tages i brug, er det vigtigt, at denne brugervejledning gennemlæses grundigt, og at man sætter sig ind i sikkerhedsanvisningerne!

Ved alle henvisninger til højre og venstre side, er maskinen set bagfra mod traktor eller læssemaskine.

Skulle der opstå spørgsmål, når denne vejledning er gennemlæst, er De velkommen til at kontakte forhandler eller fabrikken.

Forhandler:

Dato: _____



Maskinfabrikken Thyregod A/s

N.A. Norlyk & Sønner A/s

Borgergade 46, Thyregod

DK-7323 Give

Tlf.: 75734099

WWW.Thyregod.com

Fax: 75734492

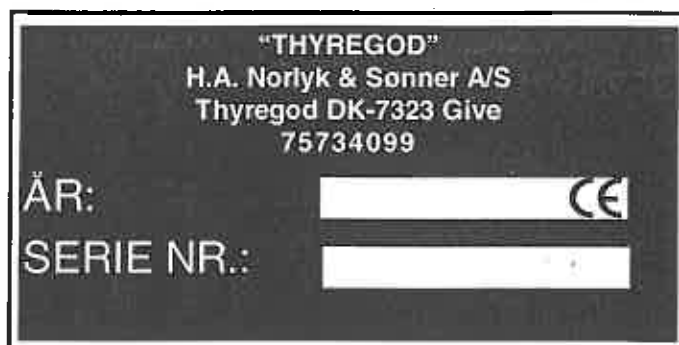
E-mail: thyregod@industri.dk

INDHOLDSFORTEGNELSE

| | | |
|--------------|---|-----------|
| 1.0 | Typeskilt | 3 |
| 1.1 | Maskinens anvendelse | 3 |
| 1.2 | Generelle sikkerhedsanvisninger | 4 |
| 1.2.1 | Placering af nødstop | 4 |
| 1.3 | Garanti - reklamationer | 5 |
| 1.4 | Montering af maskinen efter traktor/læssemaskine | 5 |
| 1.5 | Støj | 5 |
| 1.6 | Opstilling af maskine | 6 |
| 1.7 | Betjening af maskine | 6 |
| 1.7.2 | Fjernbetjeningsenheder | 7 |
| 1.7.3 | Betjening af sender | 8 |
| 1.8 | Kontrollbokse | 9 |
| 1.8.1 | Kontrollboks - sikringer og relæer | 10 |
| 1.8.2 | Kontrollboks for rensbord | 11 |
| 1.9 | Betjeningsboks for motor | 12 |
| 2.0 | Motor | 13 |
| 3.0 | Centralsmøreanlæg | 14 |
| 4.0 | Indstilling - olietryk og oliemængde | 15 |
| 5.0 | Vedligeholdelse | 16 |
| 6.0 | Fejlfinding på maskinen | 17 |
| 6.1 | Fejlfindings skema | 18 |
| 6.1 | Fejlfindings skema | 19 |
| 7.0 | Tekniske specifikationer | 20 |
| 8.0 | Tekniske invormation - John Deere Power Tech | 21 |

1.0 Typeskilt

Maskinens typeskilt ser således ud:



1.1 Maskinens anvendelse og funktion



Denne maskine er konstrueret til brug for rensning af roer og lignende rodfrugter for jord. Maskinen er udelukkende konstrueret til dette formål og må ikke anvendes til andre rensningsformål, f.eks. sortering af sten og lign. uden fabrikkens samtykke. I modsat fald bortfalder fabrikkens garanti.

Maskinen er forsynet med en tank hvori rodfrugterne læsses med læssemaskine. Derfra ledes de ved hjælp af en bundkæde til 1. rensbord, som er forsynet med jernvalser, som parvis har samme rotationsretning. Roerne ledes herfra til 2. rensbord, som afhængig af model kan være forsynet med henholdsvis gummivalser eller en kombination af gummi- valser og en kostevalse. Fra 2. rensbord ledes roerne over på læseelevatoren og videre ad denne op i transportvognen.



Vigtigt:

Ved transport af maskinen skal støttebenene være låst med de dertil indrettede kæder, og elevatoren skal være klappet ind og på plads i holderen.

Maskinen er som standard forsynet med dieselmotor, som leverer energien til maskinens drift.

1.2 Generelle sikkerhedsforanstaltninger ved brug af maskinen

Husk ved al vedligeholdelses- og reparationsarbejde på maskine:



- stands motor.
- ved arbejde på elevator, sænk denne, eller sørg for forsvarlig understøtning.
- påmonter alle afskærmninger inden maskinen startes.
- kontroller inden igangsætning at der ikke er efterladt værktøj eller lignende på maskinen.
- vær sikker på at maskinen er fuldstændig stoppet inden der udføres arbejde på den, fjern startnøglen så maskinen ikke kan startes uforvarende.
- Sikkerhedskæder på støtteben og hæk **SKAL** altid være monteret under transport.

Husk ved al kørsel og arbejde med maskinen:

- betjen altid maskinens funktioner fra de dertil indrettede pladser.
- tillad ikke nogen person/personer at køre med på maskinen.
- sørg for at der holdes en rimelig sikkerhedsafstand til maskinen.
- sørg for at kontrolboksen til maskinen er ordentligt fastgjort i læssemaskinens førerkabine.
- informer de personer der skal arbejde i nærheden af maskinen om sikkerhedsreglerne, samt placeringen af nødstop.
- under enhver bakning med traktor og maskine bør føreren orientere sig grundigt, og om fornødent give signal (tud i hornet) hvis personer opholder sig i umiddelbar nærhed af maskinen.
- vær opmærksom på maskinens højde, bredde (og vægt) når der køres på smalle veje og arbejdes under lavthængende grene, luftledninger mm.
- vær opmærksom på, at maskinen kan blive meget høj under drift.
- husk af hensyn til de øvrige trafikanter at slukke maskinens arbejdslys under transport.

1.2.1 Placering af nødstop

Maskinen er forsynet med nødstop følgende steder:

- ved rensbord



- på forreste kontrolboks



- på begge sendere



1.3 Garanti-reklamationer.

Der må kun foretages garantireparationer efter forudgående aftale med fabrikken. Ved reklamationer skal defekte dele returneres franko til fabrikken for besigtigelse. På indkøbte dele (dæk, kuglelejer, hydraulik, mm.) yder fabrikken kun den samme garanti som vore leverandører yder os. Der ydes ingen garanti på sliddele. Fabrikken påtager sig intet ansvar for driftstab o. lign. i forbindelse med funktionssvigt. Se i øvrigt vore almindelige salgsbetingelser.

1.4 Montering af maskinen efter traktor eller læssemaskine

Maskinen er konstrueret til transport efter traktor eller læssemaskine. Maskinen monteres i traktorens eller læssemaskinens træk gaffel med en nagel med låsesplit. Bemærk at maskinens trækøje kan indstilles i forskellige højder (og vendes) for at opnå den mest hensigtsmæssige efterspænding. Det er endvidere muligt, som ekstraudstyr at få forskellige typer trækøjer. I specielle tilfælde, kontakt fabrikken for yderligere information.



Bemærk:

Roerenseren kan, afhængig af model, være udstyret med hydrauliske bremsesystemer.

Bremserne må kun tilsluttes bremsesystemer med max. 40 bars tryk, da de ellers vil blive ødelagt.

Roerenseren leveres standard med alm. hydraulik stik, kontakt forhandler af læssemaskine for andre typer af stik.

Maskinens rotorblink og arbejdslys drives af maskinens el-anlæg. Kørellys (blinklys, o.lign.) drives af traktorens el-anlæg. Bemærk at maskinens kørellys som standard er udstyret til 24 volt anlæg, men kan leveres med 12 volt anlæg.

Kontroller dagligt lys og advarselsblink.

Under transporten skal læseelevatoren ligge hen langs læssetragten.

Maskinen leveres fra fabrikken i drift klar stand.

1.5 Støj

Maskinens støjniveau (målt som A-vægtet lydtryk) er 92 dB(A)

1.6 Opstilling af maskine

Maskinen opstilles med støttebenene, så den står plant og stabilt, også ved belastning under arbejdet. Husk inden udklapning at fjerne sikkerhedskæderne.

Bagerste støtteben skal være slået ned, inden læseelevatoren drejes ud!

Efter at læseelevatoren er slået ud, klappes sidehækken ud, og maskinens hældning justeres med de to støtteben, hvorefter maskinen er klar til drift.



Advarsel:

Læseelevatoren kan i arbejdsstilling blive meget høj, vær opmærksom på højspændingsledninger o.lign. inden maskinen bringes i arbejdsstilling. Sørg for at ingen opholder sig ved drejepunktet under ud- og indklapning af elevatoren.

1.7 Betjening af maskine

Roerenseren drives gennem det hydrauliske system af dieselmotoren.

Angående motor og opstart af denne, se afsnit 1.9. side 12

Motoromdrejningerne reguleres automatisk ved opstart af læsekæde.

Bemærk: max 2000 motoromdrejninger/min.

Maskinen er som standard udstyret med 2 opladelige fjernbetjeningsenheder og ved hjælp af disse kan operatøren betjene alle maskinens funktioner med undtagelse af sideklap på fyldetanken som skal aktiveres fra kontrolpanelet foran på maskinen (om fjernbetjeningsenhederne se afsnit 1.7.2, side 7)

Læseelevatorens hastighed reguleres på flowventilen som er placeret ved hydraulik-tanken (se side 15, fig. 4.1)

Ved en eventuel blokering af første rensbord (sten eller lignende), er maskinen udstyret så rensvalserne reverserer et kort øjeblik, for så atter at genoptage deres oprindelige omdrejningsretning. Ved gentagne reverseringer kan det være nødvendigt at åbne dækskærmen og manuelt fjerne stenen eller fremmedlegemet. Dette må kun gøres når motoren er standset.



Advarsel: Klemningsfare ved de roterende valser!

Platformen er kun beregnet for inspektion og må ikke anvendes til andre formål, f.eks. persontransport eller manuel stenfraskilning.

Bemærk nødstop v. platform

Stå aldrig op i rensbordet med motoren i gang!

Dækskærmen skal holdes på plads under drift

Motoren skal standses inden man foretager reparation og vedligeholdelse.

1.7.2 Fjernbetjeningsenheder

Maskinen er som standard udstyret med 2 stk. opladelige 12 V fjernbetjeningsenheder. Senderne er med integreret lader, hvilket bevirker at de på en traktor eller læssemaskine med 12 volts anlæg vil kunne oplades direkte ved tilslutning til et to-polet stik ("cigar-tænderstik"). Hvis læssemaskinen er udstyret med 24 volts anlæg skal man indskyde den medleverede omformer mellem sender og maskine.

Vær opmærksom på at man ved tilslutning af ladestik på læssemaskine ikke må tilslutte dette til en strømkilde, som kan afbrydes med maskinens tændingsnøgle, da laderen oplader batteriet i en cyklus, som bliver forstyrret ved hyppig til - og frakobling, med det resultat at batterierne ødelægges.

Strømkilden skal være sikret med max. 5 A sikring.

Senderen tilsluttes ved hjælp af elstikket bag på senderen (se fig. 1.7.3, side 8)

Det vil være hensigtsmæssigt at fastmontere en holder i læssemaskinen, så den ene sender er tilsluttet maskinen, og dermed fuldt opladet, og så skifte, når den "løse" sender kræver opladning.

Senderne er forsynet med en indikator, som viser batterispændingen. Indikatoren lyser grønt når batteriet er opladet, og skifter til rødt, når der er 10 % batteri kapacitet eller ca. 1 times driftstid tilbage.



Bemærk.

Af hensyn til batteriernes levetid bør enheden ikke oplades før indikatoren lyser rødt.

Af hensyn til sikkerheden ved betjeningen, er maskinen udstyret således, at begge fjernbetjeningsenheder skal have kontinuerlig kontakt med modtageenheden på maskinen. Hvis dette ikke er tilfældet (f.eks. hvis den ene enhed løber tom for strøm, eller den ligger i en lastbil, som fjerner sig fra rensere) vil nødstop funktionen på maskinen træde i kraft, og lukke maskinen ned.



Bemærk venligst:

Sikkerhedssystemet forudsætter at alle nødstop på maskinen (og på de to fjernbetjeningsenheder) skal være deaktiveret, inden motoren vil starte.

Såfremt at den ene fjernbetjeningsenhed er ude af funktion eller udenfor rækkevidde, så motoren ikke vil starte, eller man af andre årsager har behov for at frakoble en eller begge fjernsendere, kan dette ske ved at åbne kontrolboksen foran på maskinen og derefter vippe kontakten på off (fig. 1.7.1).

Man bør så huske at nødstopet ikke virker på denne fjernbetjening, og man bør derfor lægge den væk for at undgå uheld.



fig. 1.7.1

1.7.3 Betjening af sender

Man aktiverer senderen ved at holde de to nederste knapper (on/off knappen og den gul-grønne niveaувælgerknap) ned på samme tid i mindst to sekunder (husk at nødstoppet nederst på senderen skal være ude). Når man slipper knapperne vil batteri indikatoren og den gule niveaुकnap lyse, for at markere at senderen er funktionsdygtig.

Senderens betjeningsfunktioner er opdelt i to niveauer: et "gult" og et "grønt", markeret med henholdsvis gul og grøn tekst på senderen. Det gule niveau aktiverer læsseelevatorløft, knækket øverst på læsseelevator, elevatorkrøj, og tankkæde on/off. Det grønne niveau aktiverer forreste og bagerste støtteben, omdrejninger på børste i rensbord og hæver/sænker tankklap.

Man skifter mellem de to niveauer ved at trykke på den gul/grønne niveaувælgerknap, Niveauindikatoren vil derefter skifte mellem den grønne og den gule lysdiode og dermed indikere, hvilket niveau man er på.

Alle on/off funktioner (bund- og elevatorkæde) aktiveres/deaktiveres med et enkelt tryk på den pågældende knap.

Alle cylinderfunktioner og reguleringsfunktioner (f.eks løft af støtteben eller omdrejningsregulering på kost) betjenes ved at presse den pågældende knap ned samtidig med at man presser henholdsvis "+" eller "-".

Hvis læsekæde stoppes fra fjernbetjeningen (ved tryk på elevator on/off), stopper tankbundkæde og rensborde samtidigt for at undgå overbelastning. Når læsekæde igen aktiveres starter de pågældende funktioner ligeledes op igen.

Sender - funktioner

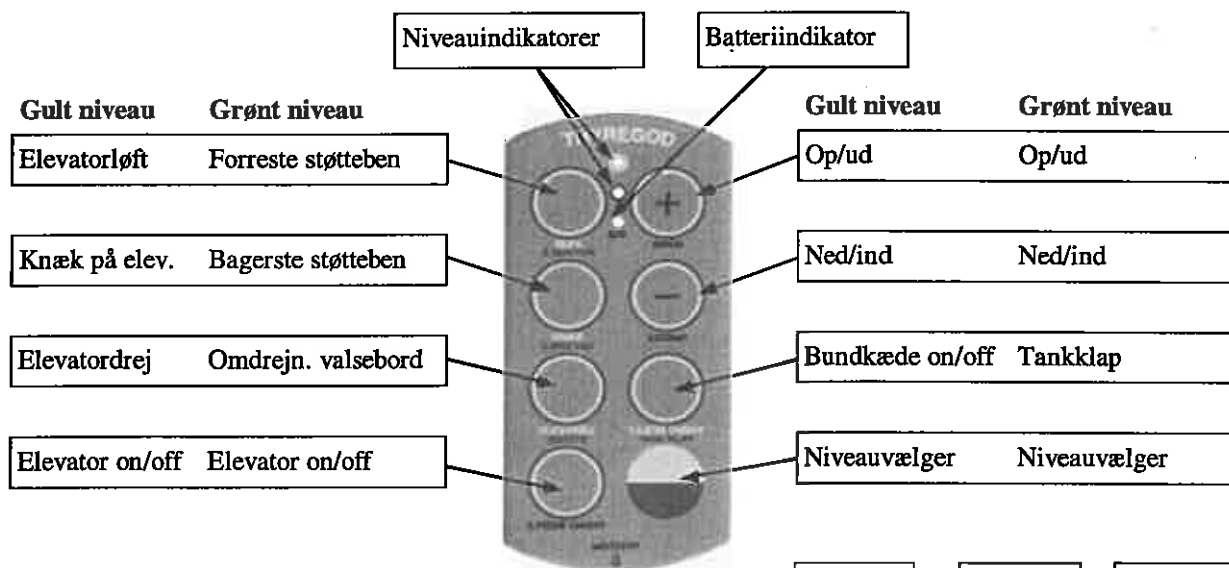


fig. 1.7.2

Bemærk venligst:

Senderen kan aflåses med nøgle.

Dette bevirker at alle funktioner blokeres og at maskinen ikke vil kunne starte, medmindre at den pågældende sender frakobles på kontrolboksen, som vist i fig. 1.7.1 på side 7.

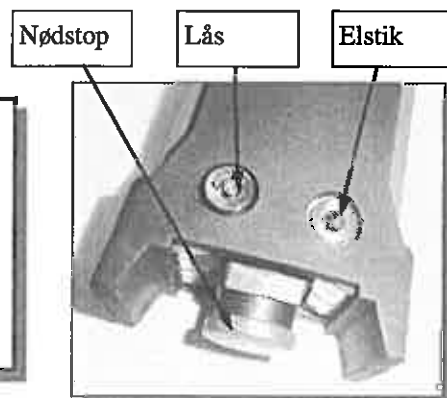
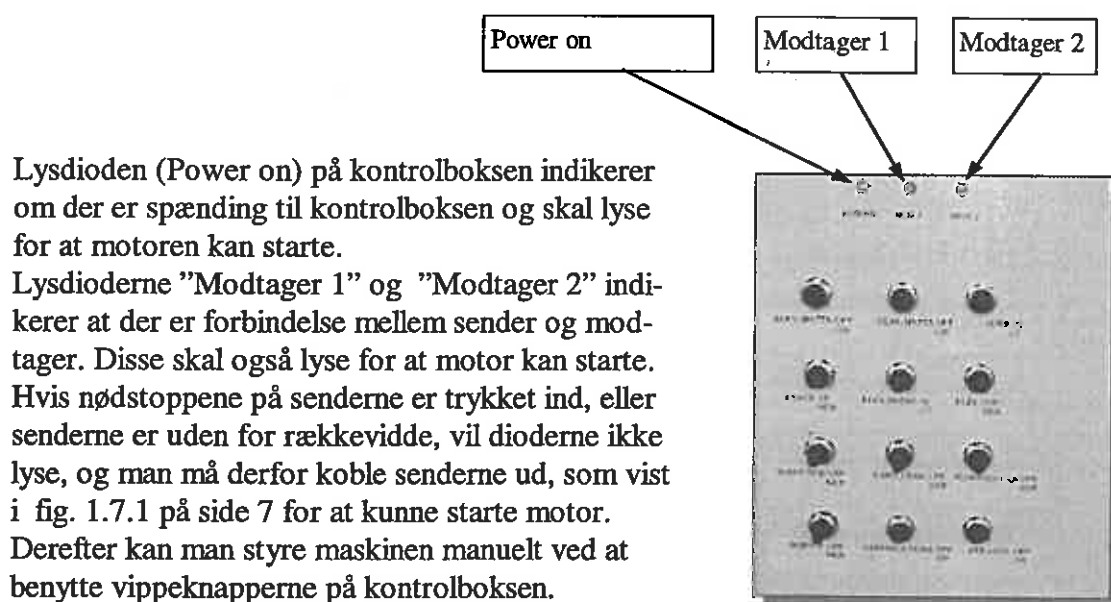


fig. 1.7.3

1.8 Kontrolboks

Forrest på maskinen sidder kontrolskabet, hvori betjeningsboks for motor samt elkontrolboks forefindes. Angående betjeningsboks for motor og opstart af motor, se side 11. På elkontrolboksen sidder kontakter for manuel aktivering af maskinens funktioner. Kontakternes funktion fremgår af de påklæbede labels. Under normal drift (fjernbetjeningsdrift) vil kontakterne være slukkede. **Dog skal den store sidehæk i tanken altid aktiveres fra betjeningspanelet.** Såfremt man aktiverer maskinens funktioner manuelt med disse kontakter, vil de overstyre fjernbetjeningen, og man vil derfor ikke længere kunne betjene den pågældende funktion herfra.



Lysdioden (Power on) på kontrolboksen indikerer om der er spænding til kontrolboksen og skal lyse for at motoren kan starte.

Lysdioderne "Modtager 1" og "Modtager 2" indikerer at der er forbindelse mellem sender og modtager. Disse skal også lyse for at motor kan starte. Hvis nødstoppe på senderne er trykket ind, eller senderne er uden for rækkevidde, vil dioderne ikke lyse, og man må derfor koble senderne ud, som vist i fig. 1.7.1 på side 7 for at kunne starte motor. Derefter kan man styre maskinen manuelt ved at benytte vippeknapperne på kontrolboksen.

fig. 1.8.1



Advarsel: Bemærk ved opstart af motor!

Vær opmærksom på at knapperne på kontrolboks overstyrrer fjernbetjeningssenderne.

Hvis bundkæde og renseruller+læssekæde er manuelt aktiveret på betjeningsboksen, starter disse op, når motoren startes.

Hvis kæderne er manuelt aktiveret på betjeningsboksen kan de ikke deaktiveres på fjernbetjeningssender.

Sørg for at alle er fri af maskinen inden motor startes.



NØDSTOP

Bemærk: Kontrolboksen er forsynet med et nødstop på siden

1.8.1 Kontrolboks - sikringer og relæer

Roerenserens sikringspanel forefindes i kontrolboksen forrest på maskinen.

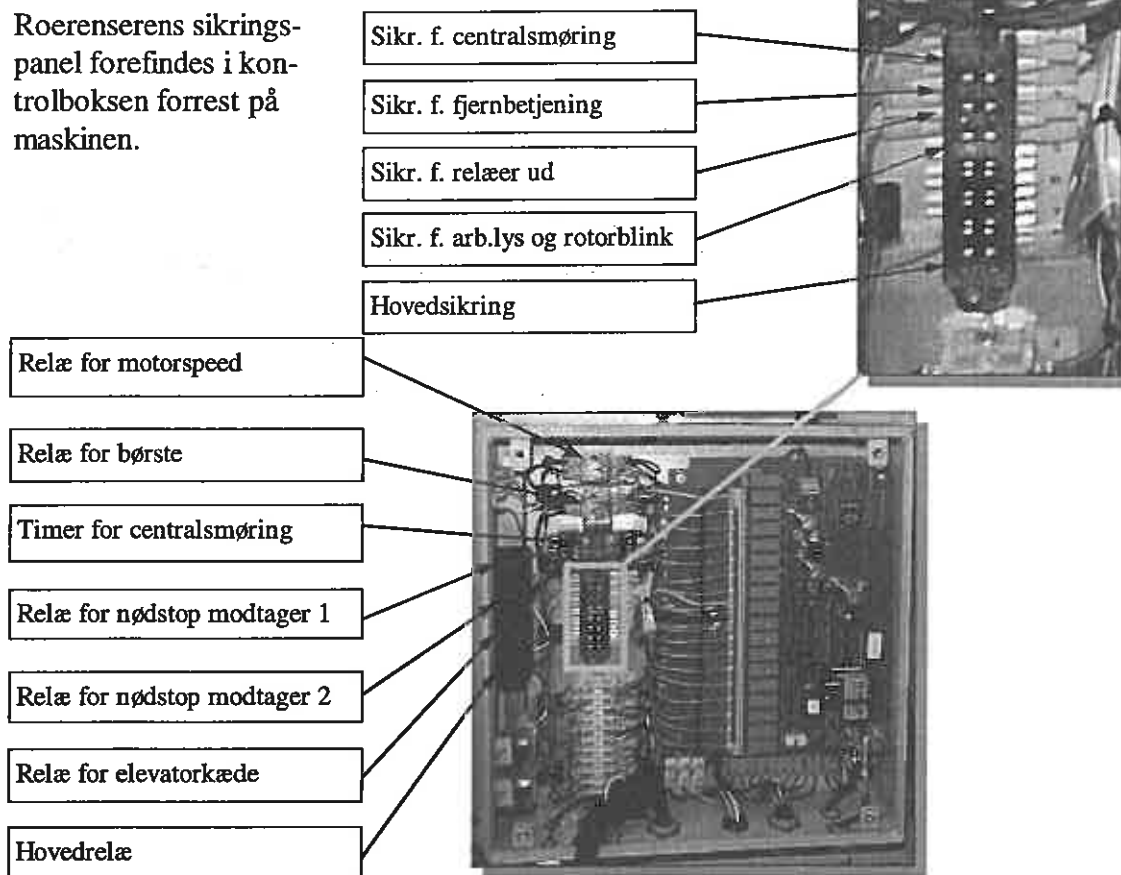


fig. 1.8.2

I kontrolboksen for motor sidder en 10A hovedsikring. Denne sikrer kontrolboksens interne komponenter og herunder også nødstopfunktionen på maskinen. Såfremt motoren ikke vil starte og der ikke er lys i panelet eller ure på kontrolboksen, skal sikringen skiftes. Dette gøres ved at afmontere de 4 stk. 6 mm skruer under boksen, løfte denne af beslaget og derefter skrue bagpladen af boksen. Derefter vil man kunne udskifte sikringen (markeret med "MAIN" på bundpladen) med reservesikringen, som sidder ved siden af (markeret med "SPARE").

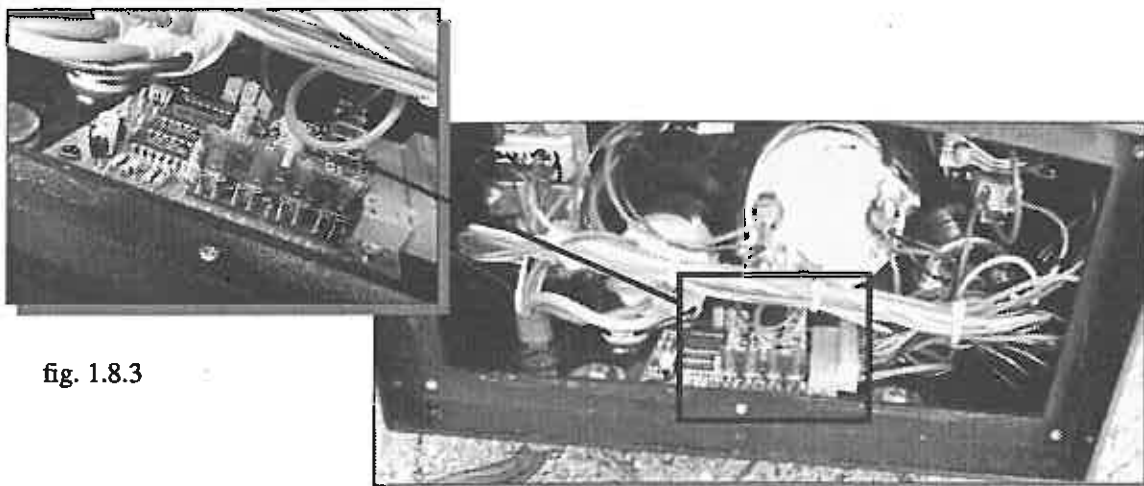


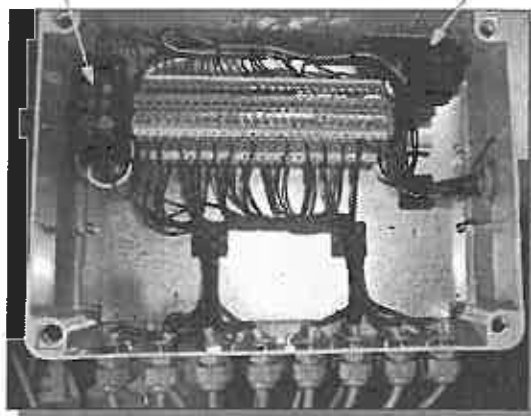
fig. 1.8.3

1.8.2 Kontrolboks for rensbord

Over motoren, på siden af tanken, sidder kontrolboks for rensbord. Denne boks styrer den automatiske reversering af første rensbord ved eventuelle blokeringer.

Timer:
Regulerer reverserings-
tiden og trykopbyg-
ningstiden

Relæ:
Frakobler bund-kæde
når rensruller
reverserer



Timer funktion:

Timer styrer længden af det tidsrum, som rensrullerne reverserer i, samt styrer længden af det tidsrum der går fra en blokering sker, (og dermed opbygning af en trykspids i hydraulik anlægget) til rensrullerne reverserer.

Timeren er forud indstillet fra fabrikken, og bør kun justeres hvis det er absolut nødvendigt. Justeringen baseres på en visuel vurdering af flowet hen over rensbordet, både før og efter reverseringen.

Justeringen (førtid) foretages på den røde drejeknap på fronten af timeren. Man bedes bemærke at bundkæden kører videre i det tidsrum der går fra blokeringen opstår, til rensrullerne påbegynder reverseringen (det tidsrum som grå knap styre), det betyder at jo længere dette tidsrum er, jo flere roer vil der være på rensbordet når rensrullerne har afsluttet reverseringen. Ligeledes bør reverseringstiden kun være nøjagtig så lang, at blokeringen fjernes, af hensyn til flowet over rensbordet.



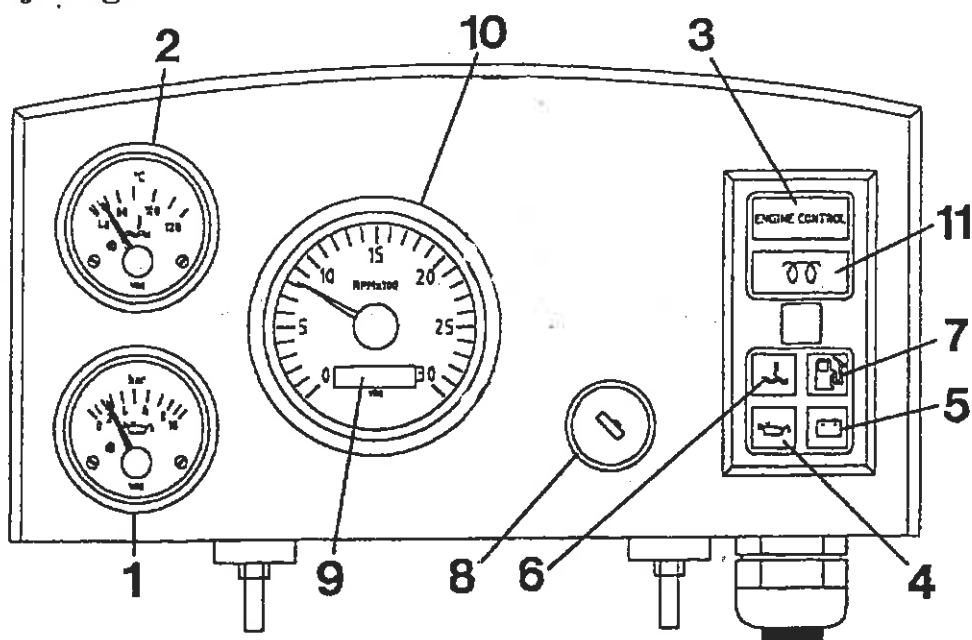
Advarsel: Klemnings fare ved de roterende valser!

Platformen er kun beregnet for inspektion under justering og må ikke anvendes til andre formål, f.eks. persontransport eller manuel stenfraskilning. Bemærk nødstop v. platform
Stå aldrig op i rensbordet med motoren i gang!

Dækskærmen skal holdes på plads og intakt.

Stands altid motoren inden der foretages reparationer og vedligeholdelse på maskinen.

1.9 Betjeningsboks for motor



- | | | |
|----------------------------|--|--|
| 1. Olietrykmanometer | 5. Ladelampe | 8. Startnøgle |
| 2. Vandtemperaturmåler | 6. Vandtemperaturlampe | 9. Timetæller |
| 3. Indikator for motorvagt | 7. Brændstofindikator (ikke i brug) | 10. Omdrejningstæller |
| 4. Olielampe | | 11. Indikator for forvarmer (ikke i brug) |

**Bemærk venligst:**

Inden motoren kan startes skal nødstoppe på de to fjernbetjeningsenheder samt nødstoppet ved rensbordet og nødstoppet på kontrolboksen være deaktiveret.

Start af motor:

- Drej tændingsnøgle til position I
Alle kontrollamper vil nu lyse for en lampekontrol, hvorefter de slukkes igen undtagen olielampe.
- Drej nøglen videre til "III", da der ikke findes forvarmer på denne motortype.
- Når motoren starter, slukker lade- og olielampe og indikator for motorvagt tænder efter et kort tidsrum for at vise at funktionen er aktiveret

**Vigtigt:**

Motorvagten stopper motoren, hvis olietryk eller ladestrøm forsvinder, eller hvis motoren overophedes.

Motorvagten fungerer kun hvis advarsel lamperne er slukket inden indikator for motorvagt tændes.

Grunden til et evt. stop vil fremgå af hvilken lampe på panelet, der lyser.

Man må aldrig genstarte motoren uden at have lokaliseret fejlen, da motorvagten så ikke længere er i funktion!

Når tændingsnøglen drejes "nulstilles" motorvagten igen.

2.0 Motor

Renseren er forsynet med en 4-cylindret dieselmotor, der leverer energi til renserens drift. Motoren er dimensioneret til at arbejde ved et omdrejningstal på 1800 - 2000 o/min. og speeder automatisk op til det forudindstillede omdrejningstal når læsekæde startes.



Bemærk venligst:
Motoren er forsynet med 24 V vekselstrømsgenerator

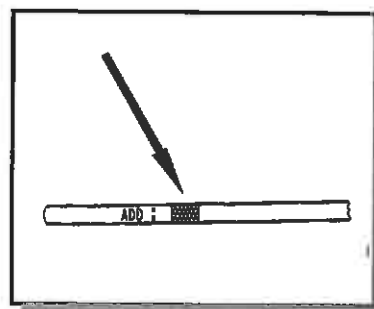
Generelt skal man hver dag inden opstart:

1. Checke olieniveau og om nødvendigt efterfylde
2. Checke vædskeniveau på køler og om nødvendigt efterfylde.
3. Rense køler for urenheder
4. Rense luftfilter og cyklon
5. Checke ventilatorrem
6. Checke vædskestand på batteri
7. Efterse motoren for fejl og mangler, og udbedre disse.



Vigtigt:
Motoren er påfyldt en speciel John Deere indkørselsolie. Motoroliefilter og motorolie skal skiftes første gang efter 100 driftstimer. Herefter skiftes for hver 250 driftstimer

Hvis oliestanden under den daglige kontrol ligger i det skraverede felt på oliepinde, er det ikke nødvendigt at efterfylde.



Vigtigt:
Der foreligger separat brugervejledning for motoren, som omhandler alle specifikke spørgsmål vedrørende drift og vedligeholdelse. Se denne for yderligere oplysninger vedrørende vedligeholdelsesintervaller.

3.0 Centralsmøreanlæg

Maskinen er forsynet med centralsmøreanlæg. Anlægget består af en pumpe med fedtbeholder, som gennem trykslanger er forbundet med fordelere, som deler fedtet ud til alle smøresteder, incl. rullekæder.

Anlægget styres af en timer, som bestemmer funktionstiden, og pauserne mellem smøringerne. Timeren er placeret i styreboksen forrest på maskinen.

Når tændingen slutes på maskinen, er centralsmøringen fra fabrikken indstillet til at køre i 5 min. Derefter kører centralsmøringen 5 min. hver time.

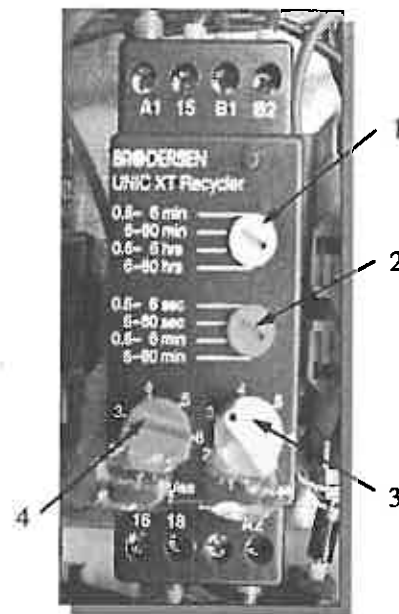
Bemærk at tildelingen af fedt til alle smøresteder deles ud over flere smørecykluser.

Da maskinen smører hvergang tændingen tilsluttes, kan der ved hyppige start/stop eller i andre tilfælde være behov for at ændre på indstillingen.

Man kan øge pausen mellem tildelingerne, ved at dreje pauseknappen (fig. 4.0, pos. 3) med uret.

Man kan ændre på tildelingstiden ved at dreje pulseknappen. Med uret = længere tildelingstid, mod uret = kortere tildelingstid.

Bemærk venligst: Kontroller efter hver justering, og med jævne mellemrum at maskinen smøres som tilsigtet. Fabrikken påtager sig intet erstatningsansvar på lejer o.lign. i tilfælde af funktionssvigt på centralsmøreanlægget.



1. Intervallvælger for pause
2. Intervallvælger for pulse
3. Pauseknep
4. Pulseknep (funktionstid)

Centralsmøreanlægget påfyldes fedt af klasse II. Påfyldningen foretages ved hjælp af en tryksmører gennem smøreniplen fastgjort på stelrammen.

Sørg for ved påfyldning af fedt, samt ved evt. reparation/vedligeholdelse af anlægget at udvise størst mulig grad af renlighed, da snavs i fedtet kan forårsage funktionssvigt i anlægget

4.0 Indstilling - olietryk og oliemængde

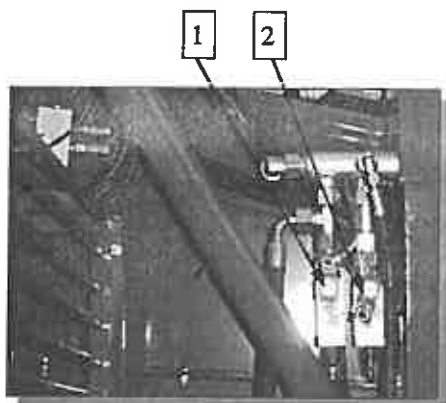


fig. 4.0

1. On/Off ventil for renserullebord
2. On/Off ventil for bundkæde i tank

Advarsel:

Klemnings fare ved drejepunktet for læseelevator. Udvis største agtpågivenhed ved indstilling af flowventil.



fig. 4.1

Omdrejninger på læsekæde reguleres på flowventilen placeret bag motoren.

For at mindske slid på kæde og ruller bør hastigheden på læsekæden bør kun lige være så høj, at den kan fjerne de rensede roer.

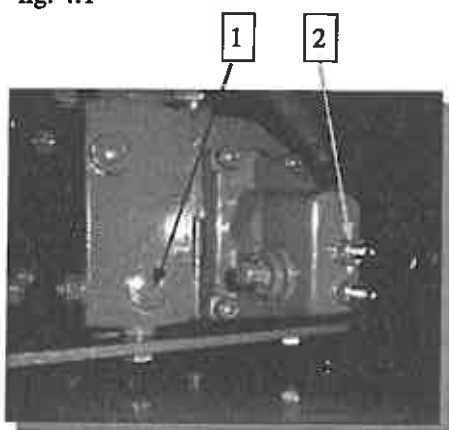


fig. 4.2

1. Sikkerhedsventil for cylinderfunktioner
2. Mængderegulering på cylinderfunkt.

Sikkerhedsventil for cylinderfunktioner sidder i endestykket på den store ventilblok. Sikkerhedsventilen er indstillet og plomberet fra fabrikken og må ikke efterjusteres.

Mængden af olie på hver funktion på ventilblokken kan justeres på ventilen ved at løsne kontramøtrikken og justere med en 3 mm unbrakonøgle (fig. 4.2 pos 2).

Kontramøtrikken bør kun spændes let, for ikke at ødelægge gevindene.



Bemærk:

Ved service og reparationer, hvor kuglehanerne under tanken har været lukket, er det af yderste vigtighed at disse genåbnes inden motoren startes, da der ellers er fare for havari på pumperne.

5.0 Vedligeholdelse

Kæder, ruller og trækjul:

Kæderne strækker sig under brugen. I løbet af første sæson op til 1%. Dette får størst indflydelse på læsekæden, som jævnlige bør strammes efter.

Kontroller at ruller altid løber rundt - specielt i frostvejr.

Alle løse bolte bør straks efterspændes og årsagen til fremmede lyde undersøges og eventuelle fejl udbedres.

En lille korrektion i tide kan ofte afværge et større havari.

Husk: Ved service, hvor der har været lukket for oliehanerne under tanken, at genåbne disse, da start af motor ellers kan medføre havari på oliepumper.

Motor:

Angående daglig vedligehold og klargøring af motor, se afsnit 3.0 side 14

Smøring af maskinen.

Maskinen bliver automatisk smurt af centralsmøreanlægget. Dog skal fodplader for støtteben, forreste støtteben samt kugleled på krøjecylinder for elevator smøres manuelt. Dette gøres for hver 50 driftstimer. Smørestederne er mærket med labels som angiver smørintervallerne. **Kontroller jævnlige at centralsmøreanlægget smører maskinen som tilsigtet.**

Daglig vedligeholdelse:

- børst maskinen ren for det værste snavs, vær især opmærksom på belægninger i renskasse og læseelevator.
- rens luftfilter på motor.
- kontroller at køleribber på motor ikke er tilstoppet.
- kontroller oliestand på motor og hydrauliksystem.
- kontroller oliestand på alle gearkasser
- kontroller at alle ruller og trækjul løber frit.
- kontroller hydraulikslanger og rør m.m. for lækage
- ret eventuelle fejl og mangler.

Ved sæson afslutning:

- rengør maskinen grundigt.
- smør samtlige smøresteder, lad maskinen køre en halv time for at fortrænge vand fra lejer o.l.
- skift olie og oliefilter på motor
- skift hydraulikoliefilter
- udskift slidte dele.
- sprøjt maskinen ind i vandfortrængende olie
- sæt maskinen et tørt sted.
- tag fjernbetjeningsenderne med ind og opbevar dem et tørt sted

6.0 Fejlfinding på maskinen

Generelt om fejlfinding inden brug af fejlfindings skemaet:

Ved driftsforstyrrelser på maskinen bør man, inden man påbegynder fejlfinding i det elektriske system, undersøge om der er tilstrækkelig spænding på batteriet.

Start endvidere med at undersøge om kontakter fungerer, og om der er brud på ledninger o. lign.

Husk at alle nødstop skal være deaktiveret for at maskinen kan starte og at fjernsenderne skal være indenfor rækkevidde af modtageren.

Fjernsenderne skal være tændt og batterierne opladt.

Kontroller at de to gule lamper for fjernbetjeningsmodtagerne på kontrolboksen er tændt.

Ved problemer med betjeningsfunktionerne, bør man prøve at betjene maskinen manuelt, for at undersøge om problemet er begrænset til fjernsenderne.

Fejlfindings skemaet er ingen reparationshåndbog, og må kun bruges som inspiration til at lokalisere fejlen. I tvivlstilfælde er fabrikken til rådighed med råd og vejledning



Husk ved al vedligeholdelse- og reparationsarbejde på maskinen:

- stands maskinens motor og fjern startnøglen.
- ved arbejde på maskinens elevator, sænk denne eller sørg for tilstrækkelig understøtning af denne.
- påmonter alle afskærmninger inden maskinen startes.
- kontroller inden igangsætning, at der ikke er efterladt værktøj på maskinen.



Husk ved reparation af det hydrauliske system, hvor kuglehanerne under tanken har været lukket, at genåbne disse, da pumperne ellers kan havarere!
Skift aldrig en sikring uden at have lokaliseret fejlen.

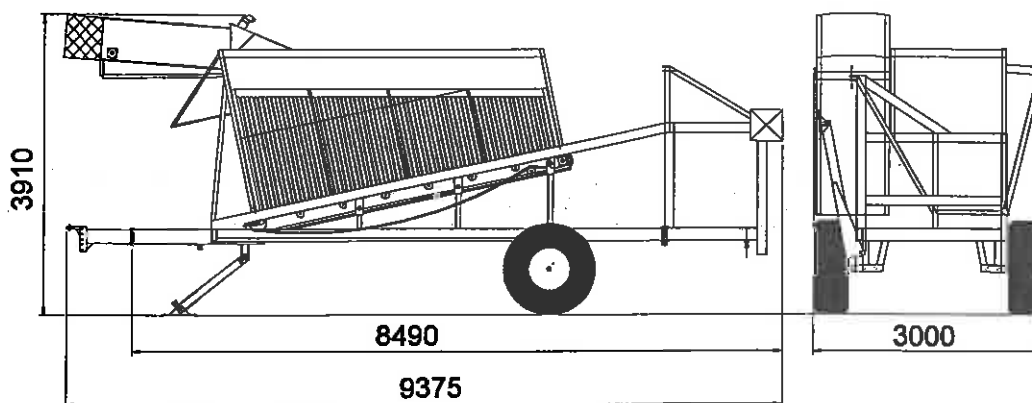
6.1 Fejlfindings skema

| Fejl | Mulig årsag | Ubedring | Omtalt side |
|---|--|---|---|
| Maskinen er død | 1. Batterispænding er væk | 1. Oplad batteri | - |
| Motor tørner, men starter ikke | 1. Ingen brændstof 2. Et af nødstoppe er aktiveret 3. Sikring i betjeningsboks for motor er sprunget 4. Sikring for fjernbetjening i kontrolboks er sprunget 5. En af senderne er udenfor rækkevidde 6. En af senderne er løbet tør for strøm 7. En af senderne er låst med nøgle 8. En af senderne er defekt | 1. Påfyld brændstof og udluft system 2. Frigør nødstop 3. Skift sikring 10A 4. Skift sikring 5 A 5. Kobl modtager fra 6. Kobl modtager fra og oplad sender 7. Lås sender op eller kobl modtager fra 8. Kobl modtager fra | 1. katalog for motor 2. s. 7 3. s. 10 4. s. 10 5. s. 7 6. s. 7 7. s. 8 8. s. 7 |
| Motor kan starte, men ingen funktioner virker | 1. Hovedsikring er sprunget 2. Hovedrelæ er defekt 3. Sikr. f. relæer ud er defekt | 1. Skift hovedsikr. 30 A 2. Skift hovedrelæ 3. Skift sikring 10 | 1. s. 10 2. s. 10 3. s. 10 |
| Motor starter men vil ikke ændre omdr. | 1. Relæ for motorspeed er defekt 2. Linak-aktivator ved dieselpumpe er defekt | 1. Skift relæ 2. Udskift Linak-aktivator | 1. s. 10 |
| Læsselevator kører ikke (alle andre funktioner virker) | 1. kæder er blokeret af et fremmedlegeme 2. Sikkerhedsventil sidder fast i åben stilling 3. Sikr. f. relæer ud i styreb. er sprunget 4. Relæ(er) er defekt | 1. Fjern fremmedlegemet 2. Rens sikkerhedsventil 3. Skift sikring 10A 4. Udskift relæ(er) | 1. - 2. - 3. s. 10 4. s. 10 |
| Bundkæde i tank kører ikke (alle andre funktioner virker) | 1. kæde er blokeret af et fremmedlegeme 2. Sikkerhedsventil sidder fast i åben stilling 3. Sikring i styreboks er sprunget | 1. Fjern fremmedlegemet 2. Rens sikkerhedsventil 3. Skift sikring 10A | 1. - 2. s. 15 3. s. 10 |
| Cylinderfunktioner virker ikke | 1. Sikkerhedsventil har ændret indstilling. 2. Elmodul på ventil er defekt 3. Hovedsikr. i kontrolboks er sprunget | 1. Kontroller trykindstill. 2. Skift elmodul 3. Skift sikring 30 A | 1. s. 15 2. s. 15 3. s. 10 |
| Olien bliver meget varm | 1. Sikkerhedsventil på kæder blæser lidt hele tiden p.g.a: a. Ændret indstilling b. Snavs mellem ventilsæde og kegle 2. Unormal intern lækage i en eller flere komponenter | 1a. Tryk kontrolleres. 1b. Sikkerhedsventil renses 2. Slidte eller defekte dele udskiftes | 1. - 2. - |
| Olien skummer p.g.a luft i systemet | 1. For lav oliestand 2. Utæt sugeledning | 1. Efterfyld olie 2. Efterse sugeslanger og forskruninger | 1. - 2. - |
| Olien bliver grålig (hydraulik system) | Vand i olien | Skift olie på systemet NB: Kondensvand tappes af tanken ved bundprop inden sæsonstart. | - |
| Bundkæde stopper ikke ved reversering | Relæ er defekt | Udskift relæ | s. 11 |

6.1 Fejlfindings skema (fortsat)

| Fejl | Mulig årsag | Udbedring | Omtalt side. |
|---|--|---|--|
| Renseruller vil ikke reversere | <ol style="list-style-type: none"> 1. Pressostat er defekt 2. Timer er defekt | <ol style="list-style-type: none"> 1. Udskift pressostat 2. Udskift timer | <ol style="list-style-type: none"> 1. - 2. s. 11 |
| Centralsmøring kører ikke | Sikring i styreboks er sprunget | Skift sikring 5 A | 16 A5.0, pos.10 |
| Centralsmøring kører, men slange er skudt af. | <ol style="list-style-type: none"> 1. En eller flere glidere i fordeler sidder fast p.g.a snavs i fedtet. 2. Smørehul i leje er blokeret | <ol style="list-style-type: none"> 1 Udskift fedt og rengør 2. Rens leje. | - |

7.0 Tekniske specifikationer



| | |
|---|---|
| Vægt: | 5500 kg |
| Tank rumindhold: | 10 m³ |
| Motor: | John Deere 4045 DF 150 Powertech |
| Effekt: | 60 kW |
| Oliekapacitet på motor: | 9.5 l |
| - fyldes altid til øverste streg på oliepind | |
| Olietype: | 15/W40 svarende til API - CD eller CE eller CCMC - D5 eller D4 |
| Hydrauliktank volumen: | 125 l |
| Total i system: | 220 l |
| Olietype: | Q8 Händel 68 eller tilsvarende |
| Gear for snekkedrev: | |
| Olievolumen: | 1.85 l |
| Olietype: | Q8 T-45-90 |
| Gear for jernrensevalser: | |
| Olie volumen: | - fyldes til midt på skueglasset |
| Olietype: | Q8 T-45-90 |
| Brændstoftank volumen | 240 l |
| Batterispænding: | 24 volt |
| Dækmontering: | 550/60-22.5 - 8 lags |
| - med bremsenav max. 40 bar | |

8.0 Tekniske information

Vedligeholdelsesskema for John Deere Power Tech

| | Dagligt | 50 timer | 250 timer | 600 timer/ 12 mdr. | 1200 timer 24 mdr. | 2000 timer |
|---|---------|----------|-----------|-----------------------|-----------------------|------------|
| Kontrollere motorolie og kølervædske | • | | | | | |
| Tømme støvudfældeventilen på luftfilter og kontrollere undertryksindikatoren* | • | | | | | |
| Inspektion af motorrum for fejl | • | | | | | |
| Tømme cyklon på indsugning | • | | | | | |
| Tømme brændstoffilter for vand | | • | | | | |
| Kontrollere vædskestand på batteri | | | • | | | |
| Skifte motorolie og filter** | | | • | | | |
| Rense ventildækselånderør | | | | • | | |
| Kontrollere luftfilterslanger for lækager Udskifte filter og forfilter | | | | • | | |
| Udskifte filterindsats i brændstoffilter | | | | • | | |
| Kontrollere udslag på remstrammer på generator og om nødvendigt udskifte rem | | | | • | | |
| Kontrollere kølerslanger | | | | • | | |
| Kontrollere kølervædskefrysepunkt | | | | • | | |
| Tryktest af kølersystem | | | | | • | |
| Gennemskylning af kølersystem | | | | | • | |
| Justering af ventilspillerum | | | | | | • |

* Skift forfilter når undertryksindikatoren viser et undertryk på 625 mm vandsøjle

** Olien skiftes første gang efter 100 timer, derefter for hver 250 driftstimer

Obs: Se i instruktions bog for John Deere motor under *smøring og vedligeholdelse* for detaljer angående ovenstående punkter.

