

Reservedelsliste med tilbehør
Ersatzteilliste mit zubehör
Spare parts list with accessories

MIISA TE 120



Årgang 2004 - 2. udgave



Thyregod A/S

Borgergade 46

Thyregod

7323 Give

Tlf.: +45 75 73 40 99

Fax: +45 75 73 44 92

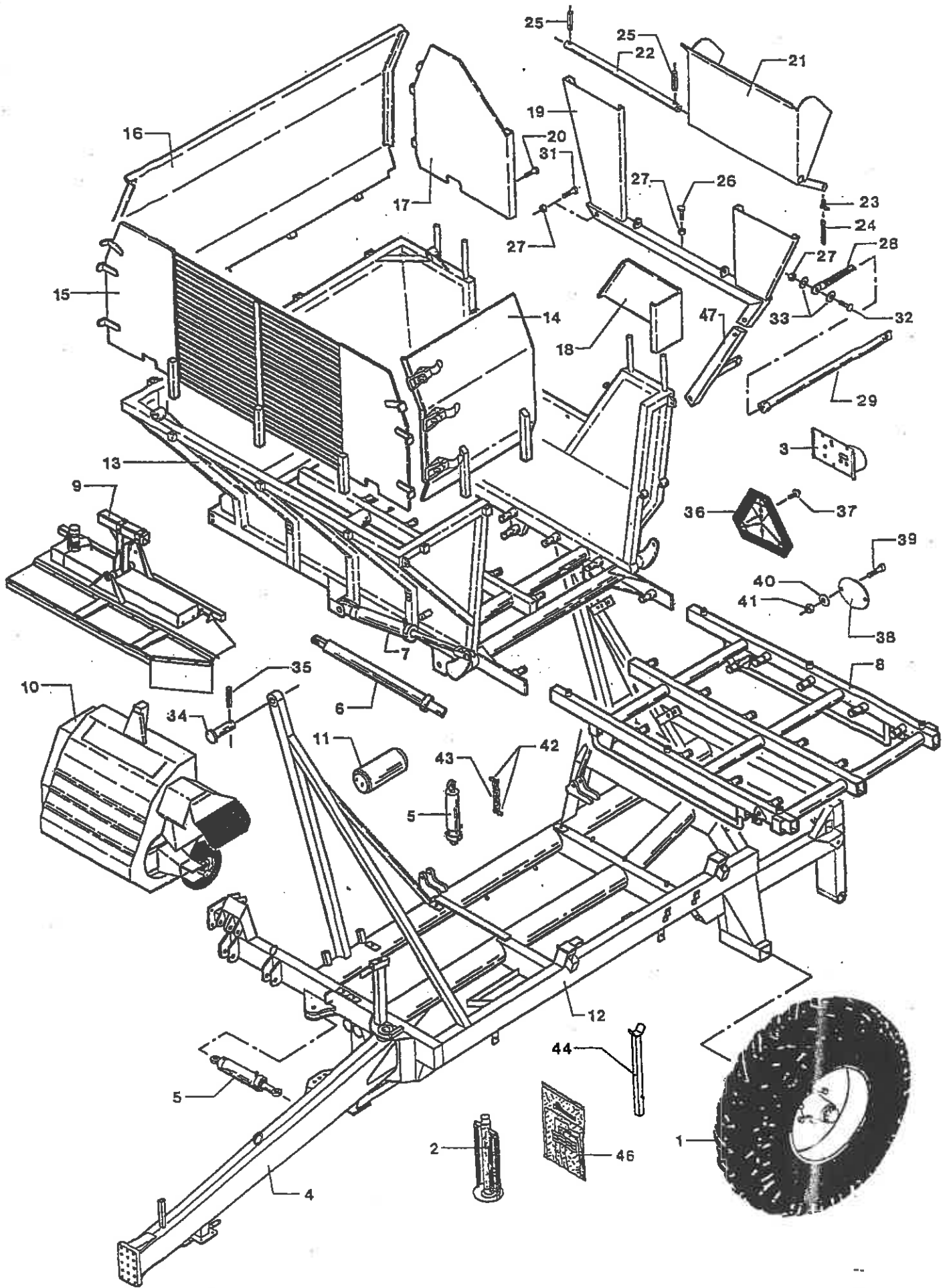
www.thyregod.com

Thyregod@thyregod.com

MIISA-TE120

| Side | Indholdsfortegnelse | Contents | Inhaltsverzeichnis |
|-------|--------------------------------------|--------------------------------|--------------------------------|
| 1/00 | Hovedramme + udstyr | Main frame + equipment | Hauptrahmen + Ausrüstung |
| 2/00 | Oversigt + drev | Survey + drive | Übersicht + Antrieb |
| 3/00 | Undermaskine | Underframe | Untermaschine |
| 5/00 | Hjul | Wheel | Rad |
| 6/00 | Hydr. bremser | Hydr. Brakes | Hydr. Bremse |
| 7/00 | Trykluffbeholder | Air container | Druckbehälter |
| 8/00 | Hydr. Sidereregulering af hjul | Hydr. Side adjustment of wheel | Hyd. Seitenregulierung von Rad |
| 9/00 | Hydr. Støtteben | Hydr. Support leg | Hydr. Stützbein |
| 10/01 | Lysanlæg | Traffic lights | Beleuchtungsanlage |
| 11/00 | Kraftaksel | PTO shaft | Gelenkwelle |
| 11/01 | Kraftaksel – 8 splines | PTO shaft – 8 splines | Gelenkwelle – 8 spline |
| 12/00 | Stjært – DK + drev 1 | Drawbar – DK + drive 1 | Deichsel – DK + Antrieb 1 |
| 12/01 | Kuglekobling | Ball cup | Kuppelkopf |
| 13/00 | Stjært – D + drev 1 | Drawbar – D + drive 1 | Deichsel – D + Antrieb 1 |
| 14/00 | Drev 2 | Drive 2 | Antrieb 2 |
| 15/00 | Drev, forreste grenhjul | Drive, front spider | Antrieb, Vorderes Siebrad |
| 16/00 | Gear + pumper | Gear + pumps | Getriebe + Pumpen |
| 16/02 | Pumpe for egen olieforsyning 98 | Pump internal oil system 98 | Pump f.eigene Ölversorgung |
| 17/00 | Forreste grenhjul | Front spider | Vorderes Siebrad |
| 18/00 | Bageste grenhjul | Rear spider | Hinteres Siebrad |
| 19/00 | Fast ramme, Holl. Bagende | Fixed elevator frame | Fester Elevatorrahmen |
| 20/00 | Bevægelig rensébånd | Movable cleaning belt | Bewegl. Reinigungsband |
| 20/01 | Afskærmning v/sv. Renseelevator | Guards | Schirme |
| 20/02 | Svensk renseselevator | Cleaning elevator | Reinigungselevator |
| 21/00 | Omløbshjul f. elevatorbånd | Turn wheel f. elev. Belt | Umlaufrad f.Elev. band |
| 22/00 | Ruller i rensébånd | Roller in cleaningbelt | Rollen f. reinigungsband |
| 23/00 | Bev. Elevatorramme + skærme | Movable el. frame + guards | Bew. El. –rahmen + Schirme |
| 24/00 | Elevatortop + løftecylinder | Elevator top + lift rum | Elev. –öberteil + Hubzylinder |
| 25/00 | Afskærmning f. holl. Bagende | Guards f. rear end | Schirme f. holl. Hinterende |
| 26/00 | Reguleringscylinder f. holl. bagende | Adj. Ram f. Dutch rear | Regulierzyl. F. Holl. –Hi. |
| 27/00 | Beslag i undermaskine | Fitting, undermachine | Beschlag, untermaschine |
| 28/00 | Tromle i undermaskine | Drum f. undermachine | Trommel f. untermaschine |
| 29/00 | Gummidaskere + afdækning | Rubber paddles + cover | Gummipaddel + Abschirm |
| 30/00 | Hydr. Indføringsrulle | Hydr. Feeding rolle | Hydr. Einführungsrolle |
| 31/00 | Oppel hjul | Lifting wheel | Oppelrad |
| 32/00 | Kitskær | Vibrating share | Polderschar |

| Side | Indholdsfortegnelse | Contents | Inhaltsverzeichnis |
|-------------|------------------------------------|-------------------------------------|----------------------------------|
| 33/00 | Dasker for kitskær | Paddle | Paddel |
| 34/00 | TT-sidestyr | Self-steering | Lenkung |
| 36/00 | Afpudser | Scalper | Nachkoepfer |
| 36/01 | Hydr. Rot. Afpudser (ekstraudstyr) | Hydr. Rot. Scalper (opt. Equipment) | Hydr. Scheibenputzer (sonderaus) |
| 37/00 | Langsgående slaglepudser | Lengthw. going flails | Laengsputzer |
| 40/00 | El box | Electric box | El. -kasten |
| 42/00 | Hydr. tank | Hydr. tank | Hydr. Bunker |
| 43/00 | Sjæart + dybdecylinder | Drawb. + depth cylinder | Deichs. + Tiefenzylinder |
| 44/00 | Cylinder f. tankelevator | Cylinder f. tank elevator | Zylinder f. Bunker |
| 45/00 | Cylinder i elevator | Cylinder in elevator | Zylinder im Elevator |
| 46/00 | Elevator | Elevator | Elevator |
| 48/00 | Ophæng for turboaftopper | Susp. f. turbo pulveriser | Aufh. f. Turbo Koepfer |
| 48/01 | Cylinder | Cylinder | Zylinder |
| 48/02 | Cylinder | Cylinder | Zylinder |
| 49/00 | Turboaftopper, skærme | Beet root topping, guards | Rotor koepfer, Schirme |
| 50/00 | Turboaftopper | Beet root topping | Rotor koepfer |
| 53/00 | Hjul for aftopper | Beet root topping, wheels | Rotor koepfer, Rad |
| 54/00 | Drev, slagleaftopper | Drive f. flail pulveriser | Antrieb f. Schl. Koepfer |
| 55/00 | Ophæng, slagleaftopper | Susp. f. flail pulveriser | Aufh. f. Schl. Koepfer |
| 56/00 | Bom + snegi, slagleaftopper | Bar + screw f. flail pulveriser | Baum + Schraube f. Schl. Koepfer |
| 58/00 | Reduktionsgear | Reduction gear | Untersetzungsgetriebe |
| 59/00 | Hydrofor | Pressure accumulator | Druckbehälter |
| 60/00 | Styreskive | Stabilizer disc | Hangscheibe |
| 63/00 | Gearkasse 155-12200 | Gearbox 155-12200 | Getriebe 155-12200 |
| 64/00 | Gearkasse 155-13000 | Gearbox 155-13000 | Getriebe 155-13000 |
| 65/00 | Gearkasse 155-13200 | Gearbox 155-13200 | Getriebe 155-13200 |
| 68/00 | Danfoss PVG 32 137-89301 | Danfoss PVG 32 137-89301 | Danfoss PVG 32 137-89301 |

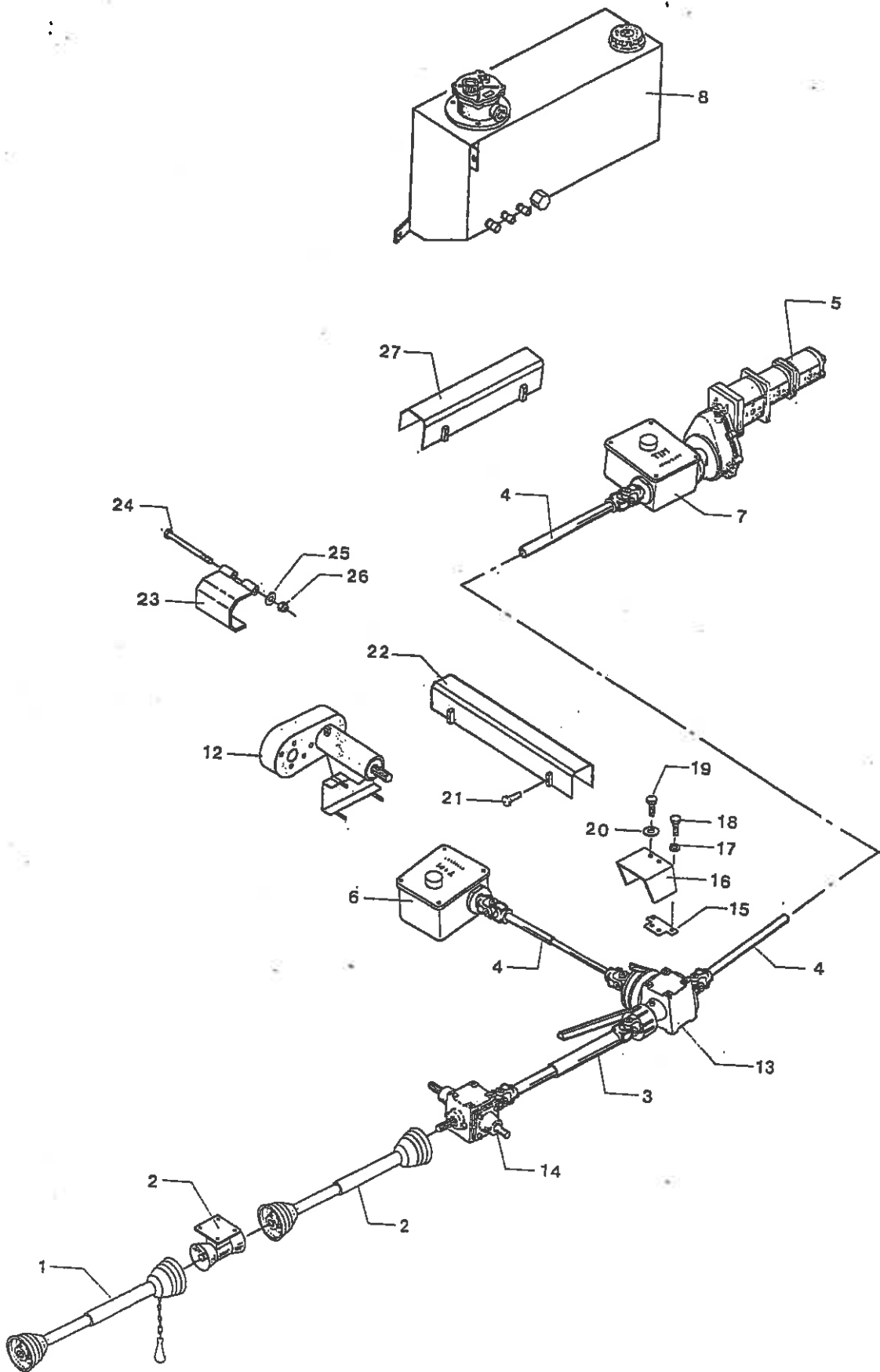


Hovedramme + udstyr

Main frame + equipment

Hauptrahmen + Ausrüstung

| | Hovedramme + udstyr | Main frame + equipment | Hauptrahmen + Ausrüstung |
|-------------|-------------------------------------|-------------------------|--------------------------|
| 1 | SIDE 5.0 | PAGE 5.0 | SEITE 5.0 |
| 2 | SIDE 9.0 | PAGE 9.0 | SEITE 9.0 |
| 3 | SIDE 10.0 | PAGE 10.0 | SEITE 10.0 |
| 4 | SIDE 13.0 | PAGE 13.0 | SEITE 13.0 |
| 4 | SIDE 12.0 | PAGE 12.0 | SEITE 12.0 |
| 5 | SIDE 43.0 | PAGE 43.0 | SEITE 43.0 |
| 6 | SIDE 44.0 | PAGE 44.0 | SEITE 44.0 |
| 7 | SIDE 45.0 | PAGE 45.0 | SEITE 45.0 |
| 8 | SIDE 46.0 | PAGE 46.0 | SEITE 46.0 |
| 9 | SIDE 48.0 | PAGE 47.0 | SEITE 47.0 |
| 9 | SIDE 49.0 | PAGE 48.0 | SEITE 48.0 |
| 9 | SIDE 50.0 | PAGE 49.0 | SEITE 49.0 |
| 10 | SIDE 54.0/55.0/56.0 | PAGE 54.0/55.0/56.0 | SEITE 54.0/55.0/56.0 |
| 11 | SIDE 59.0 | PAGE 59.0 | SEITE 59.0 |
| 12 420281 | HOVEDRAMME MIIS-TEA 12,0 M3 | MAIN FRAME | HAUPTTRAHMEN |
| 13 420280 | TE-TANK 12,0 M3 | TE-TANK 12,0 M3 | TE-BUNKER 12,0 M3 |
| 14 492366 | VENSTRE FORRESTE SKÆRM | LH FRONT GUARD | L. VORDERSCHIRM |
| 15 492374 | FORRESTE GITTER | FRONT GRATE | VORDERGITTER |
| 16 478008 | HØJRE SIDESKÆRM F/STOR AFLESSELEV. | RH SIDE GUARD/BIG UNL.E | R. SEITENSCH./GR.ABL.EL |
| 17 492364 | HØJRE BAGESTE SKÆRM | RH REAR GUARD | R. HINTERSCHIRM |
| 18 476105 | HJØRNEPLADE F. MIIS/MIIS-TEA | CORNER PLATE | ECKPLATTE |
| 19 477507 | BAGGAVL | REAR END | HINTERWAND |
| 20 14159700 | TAPSETSKRUE GROV M10 X 20 MM | STUD SET SCREW | ZAPFSETZSCHRAUBE |
| 21 476103 | BEVEGELIG LUKKEPLADE F. TE TANK | MOVAB. CLOS. PLATE/TANK | BEWEGL. SCHLIESSPL./BU. |
| 22 476132 | AKSEL Ø19 X 970 MM | SHAFT | WELLE |
| 23 14842200 | D-SJÆKEL FZB 5/16" | D-SHACKLE | D-SCHAEKEL |
| 24 14785000 | TRÆKFEJDER 1 ØJE 2 ENDER Ø5.5 X Ø46 | TENSION SPRING | ZIEHFEDER |
| 25 14528400 | JERNSELIT Ø5 X 40 MM | SPLIT PIN | EISENSPLINT |
| 26 14089800 | SETSKRUE GROV M12 X 35 MM | SET SCREW | SETZSCHRAUBE |
| 27 14430700 | LÅSEMØTRIK M12 | LOCK NUT | GEGENMUTTER |
| 28 419593 | STRAMMEBOLT | TIGHTENING BOLT | SPANNBOLZEN |
| 29 477065 | STØTTE F. BAGGAVL MIIS-TE | SUPPORT F/REAR END | STUETZE F/HINTERWAND |
| 31 14090700 | SETSKRUE GROV M12 X 80 MM | SET SCREW | SETZSCHRAUBE |
| 32 14089800 | SETSKRUE GROV M12 X 35 MM | SET SCREW | SETZSCHRAUBE |
| 33 14453000 | SVÆR SKIVE 1/2" | WASHER | SCHEIBE |
| 34 460902 | NAGLE F. TANK Ø40/10 X 152 MM | PIN F. TANK | NAGEL F/BUNKER |
| 35 14579300 | RØRSPÆNDESTIFT Ø10 X 75 MM | DOWEL | ROHRSPANNSTIFT |
| 36 12550651 | REFLEXTREKANT STOR - RØD (PLAST) | REFL. TRIANGLE BIG. RED | REFLEXDREIECK GROSS.ROT |
| 37 14203800 | PLADESKRUE M/SKIVE | SHEET SCREW W/DISC | PL.-SCHRAUBE M/SCHIEBE |
| 38 12441000 | SKILT 25 KM/H | SIGN | SCHILD |
| 39 14183500 | JERNMASKINSKRUE M5 X 16 MM | SCREW | SCHRAUBE |
| 40 14440000 | SVÆR SKIVE 5.3 X 10 X 1 MM | WASHER | SCHEIBE |
| 41 14430000 | LÅSEMØTRIK M5 | LOCK NUT | GEGENMUTTER |
| 42 14842600 | D-SJÆKEL FZB 1/2" | D-SHACKLE | D-SCHAEKEL |
| 43 443767 | KEDE FOR SLIDSKE 3 LED | CHUTE CHAIN 3-LINKS | KETTE F/RUTSCHE 3-GLIED |
| 44 419876 | TANKSTØTTE | TANK SUPPORT | BUNKERSTUETZE |
| 46 502376 | SET TRANSFER MIIS-MIIS - DK | SET TRANSFERS - DK | SATZ AUFKLEBER - DK |
| 47 477565 | | | |

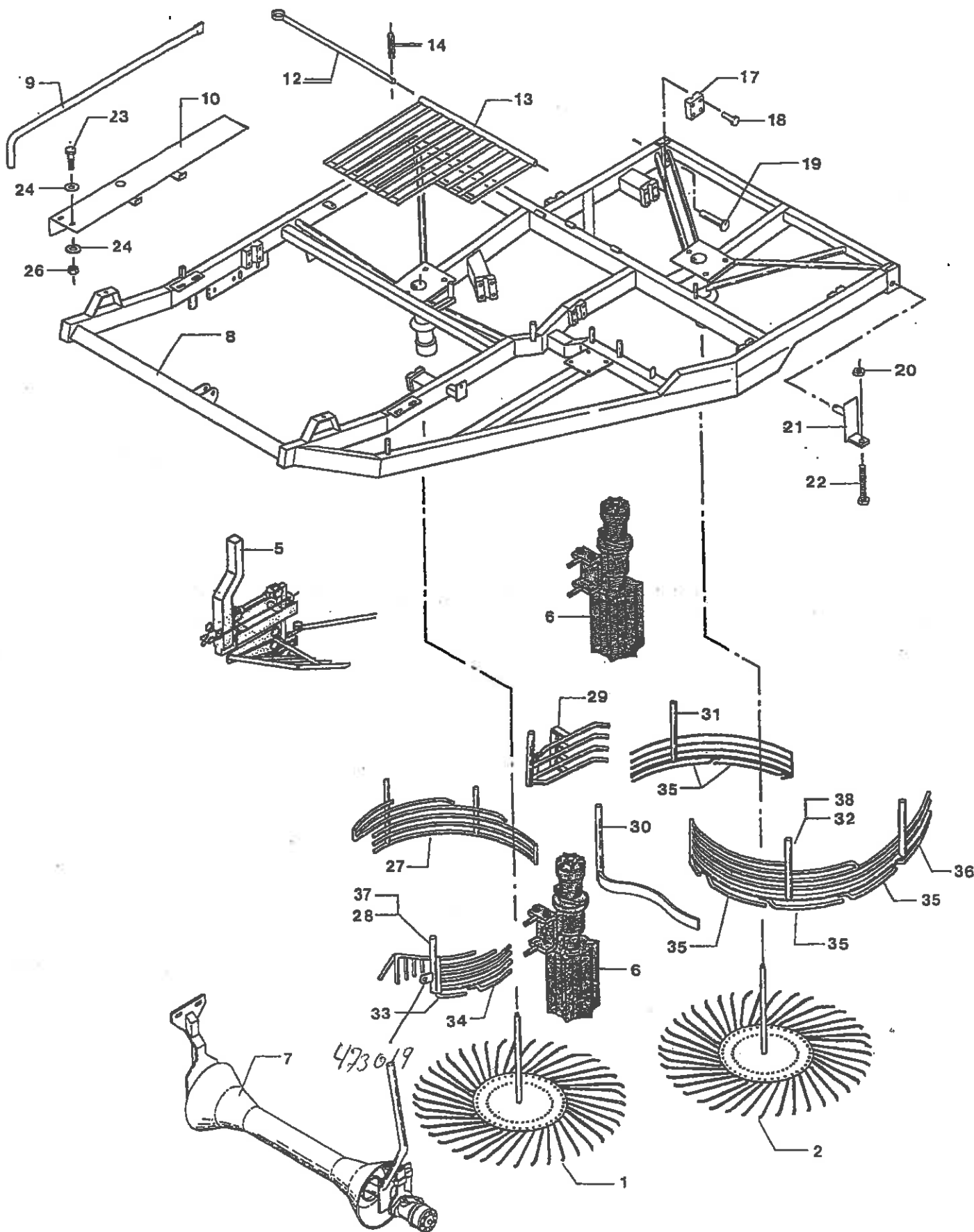


Oversigt + drev

Survey + drive

Übersicht + Antrieb

| | | | |
|-------------|-------------------------------|-------------------------|------------------------|
| 1 | SIDE 11.0 | PAGE 11.0 | SEITE 11.0 |
| 2 | SIDE 13.0 | PAGE 13.0 | SEITE 13.0 |
| 3 | SIDE 14.0 | PAGE 14.0 | SEITE 14.0 |
| 4 | SIDE 15.0 | PAGE 15.0 | SEITE 15.0 |
| 5 | SIDE 16.0 | PAGE 16.0 | SEITE 16.0 |
| 6 | SIDE 17.0 | PAGE 17.0 | SEITE 17.0 |
| 7 | SIDE 18.0 | PAGE 18.0 | SEITE 18.0 |
| 8 | SIDE 42.0 | PAGE 42.0 | SEITE 42.0 |
| 12 | SIDE 58.0 | PAGE 58.0 | SEITE 58.0 |
| 13 | SIDE 63.0 | PAGE 63.0 | SEITE 63.0 |
| 14 | SIDE 65.0 | PAGE 65.0 | SEITE 65.0 |
| 15 491692 | BESLAG F. SKERM V/GEARKASSE | FITTING F/GUARD BY GEAR | BESCHLAG F/SCHIRM A/G. |
| 16 471434 | SKERM F. TREKAKSEL | GUARD F/DRIVE SHAFT | SCHIRM F/TRIEBWELLE |
| 17 14462700 | CENTERFJEDERSKIVE M12 | SPRING WASHER | FEDERSCHEIBE |
| 18 14089600 | SÆTSKRUE GROV M12 X 25 MM | SET SCREW | SETZSCHRAUBE |
| 19 14085300 | SÆTSKRUE GROV M8 X 16 MM | SET SCREW | SETZSCHRAUBE |
| 20 14480200 | SPEC. SKIVE 25 X 8.5 X 2.0 MM | SPECIAL WASHER | SPEZIALSCHEIBE |
| 21 14159700 | TAPSÆTSKRUE GROV M10 X 20 MM | STUD SET SCREW | ZAPFSETZSCHRAUBE |
| 22 491438 | SKERM | GUARD | SCHIRM |
| 23 491089 | SKERM F. SLANGER | HOSE GUARD | SCHLAUCHSCHIRM |
| 24 14047200 | MASKINBOLT GROV M12 X 140 MM | BOLT | BOLZEN |
| 25 14453000 | SVER SKIVE 1/2" | WASHER | SCHLEIBE |
| 26 14430700 | LÅSEMØTRIK M12 | LOCK NUT | GEGENMUTTER |
| 27 491437 | SKERM | GUARD | SCHIRM |

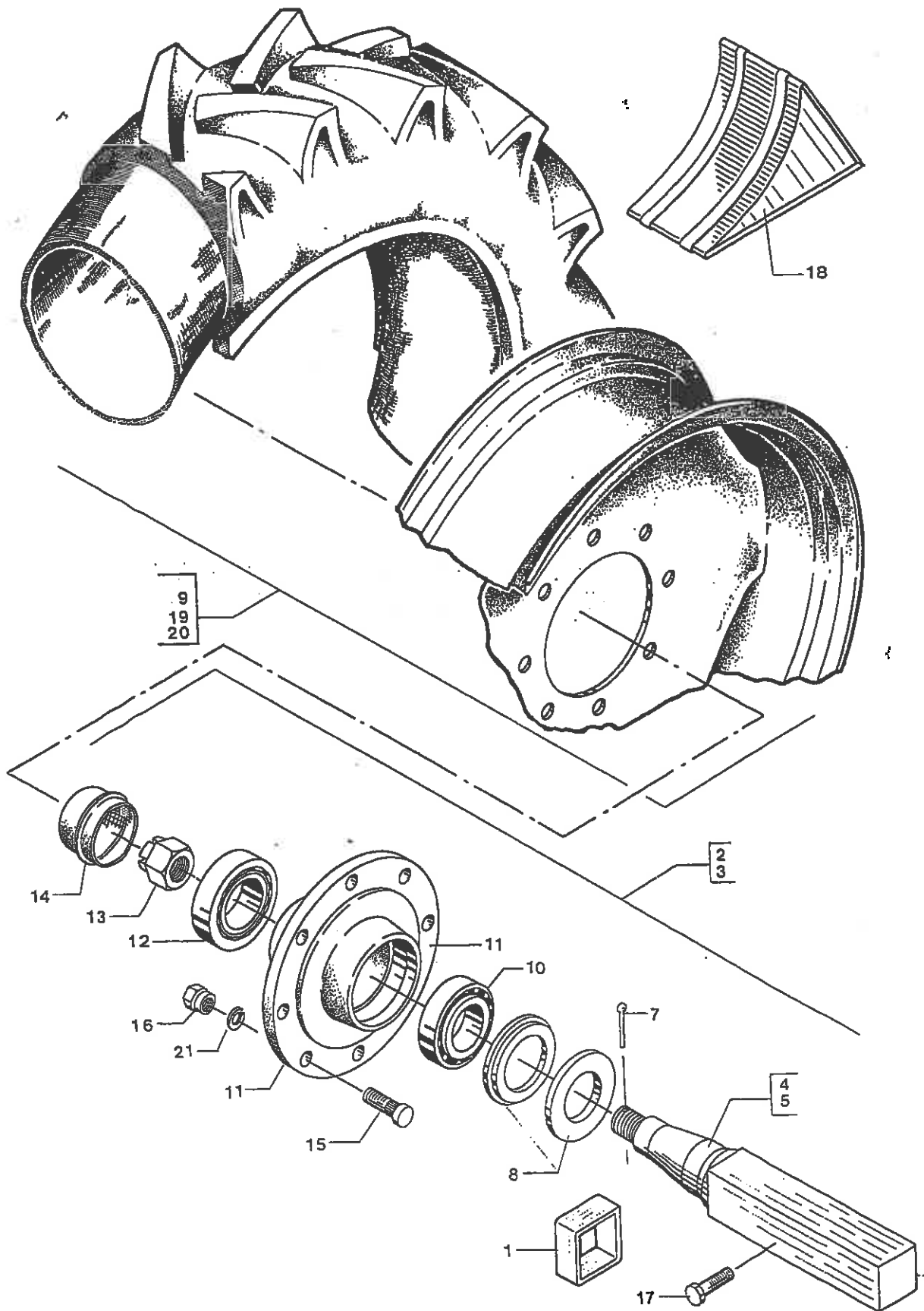


Udermaskine

Underframe

Untermaschine

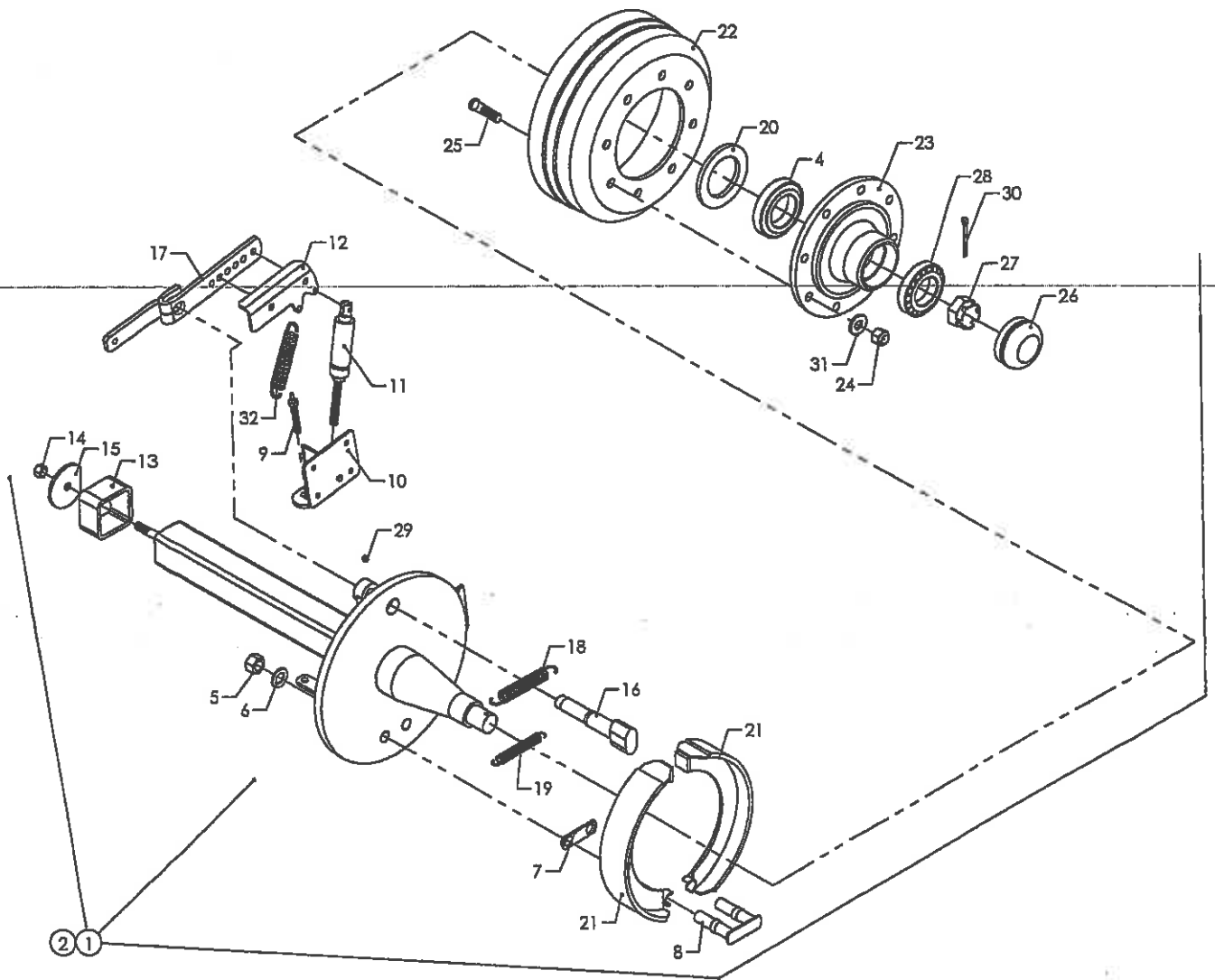
| | Udermaskine | Underframe | Untermaschine |
|-------------|------------------------------------|-------------------------|--------------------------|
| 1 | SIDE 17.0 | PAGE 17.0 | SEITE 17.0 |
| 2 | SIDE 18.0 | PAGE 18.0 | SEITE 18.0 |
| 3 | | | |
| 3 | | | |
| 4 | | | |
| 4 | | | |
| 5 | SIDE 36.0 | PAGE 36.0 | SEITE 36.0 |
| 6 | SIDE 28.0 | PAGE 28.0 | SEITE 28.0 |
| 7 | SIDE 30.0 | PAGE 30.0 | SEITE 30.0 |
| 8 491060 | UNDERMASKINE | MAIN FRAME | HAUPTTRAHMEN |
| 9 419855 | RENSESPADE | CLEANING SPADE | REINIGUNGSSPATEN |
| 10 494973 | FAST SKÆRM VED OPPELHJUL | GUARD B/LIFTING WHEEL | SCHIRM A/OPPELBRAD |
| 12 444620 | AKSEL F. RIST | SHAFT F/GRATE | WELLE F/ROST |
| 13 444621 | GITTER OVER GRENHJUL | GRATE OVER SPIDER | GITTER UE/SIEBRAD |
| 14 14563900 | RØRSPENDESTIFT Ø5 X 30 MM | DOWEL | ROHRSPANNSTIFT |
| 17 443039 | OVERDEL F.SPENDEBE. FL. 15X100X100 | CLAMP TOP PART | SPANNBESCHLAGOBERTEIL |
| 18 14092400 | SETS KRUE GROV M16 X 50 MM | SET SCREW | SETZSCHRAUBE |
| 19 471252 | NAGLE F. UNDERMASKINE Ø30 X 142 MM | PIN F/SUBFRAME | NAGEL F/UNTERMASCHINE |
| 20 491673 | TOPMØTRIK FOR OPHÆNG NV55 X 22 MM | TOP NUT F/SUSPENSION | KOPFMUTTER F/AUFHÆNG. |
| 21 491426 | BESLAG F. OPHÆNG AF UNDERMASKINE | SUBFRAME SUSP. BRACKET | BESCHLAG/UNTERM.-AUFH. |
| 22 491427 | SPINDEL | SCREW | SCHRAUBE |
| 23 14085700 | SETS KRUE GROV M8 X 35 MM | SET SCREW | SETZSCHRAUBE |
| 24 14480200 | SPEC. SKIVE 25 X 8.5 X 2.0 MM | SPECIAL WASHER | SPEZIALSCHEIBE |
| 26 14430300 | LÅSEMØTRIK M8 | LOCK NUT | GENEMMUTTER |
| 27 491085 | HØJRE FORRESTE RIST | RH FRONT GRATE | R. VORDERROST |
| 28 491084 | VENSTRE FORRESTE RIST | LH FRONT GRATE | L. VORDERROST |
| 29 491446 | LEDERIST | GUIDE GRATE | LEITROST |
| 30 491088 | LUKKEJERN F. GRENHJUL MIIS | CLOSING IRON F/SPIDER | SCHLIESSEISEN F/SIEBRAD |
| 31 491053 | HØJRE DEL AF BAGESTE RIST - 1982 | REAR CAGE RH PART | R. TEIL V/HINTERROST |
| 32 491087 | VENSTRE BAGESTE RIST | LH REAR GRATE | L. HINTERROST |
| 33 473012 | LEDEGREN F. RIST | TINE F. GRATE | ZINKE F. ROST |
| 34 491255 | LEDEGREN F. RIST | TINE F. GRATE | ZINKE F. ROST |
| 35 491255 | LEDEGREN F. RIST | TINE F. GRATE | ZINKE F. ROST |
| 36 477413 | LEDEGREN, HERDET Ø16 X 460 MM | TINE, TEMPERED | ZINKE, GEHAERTET |
| 37 | FJEDERPRISTE (EKSTRA-UDSTYR) | SPRING GRATE (OPT.EQ.) | FEDERROST (SOND.AUSRUST. |
| 37 502952 | V. FORR. RIST M/FJEDRE MIIS | LH FRONT GRATE W/SPRING | L. VORDERROST M/FEDERN |
| 37 434483 | FJEDER FOR SIDERIST | SPRING | FEDER |
| 37 14795900 | FRANSK RIST - HOLDER | FRENCH GRATE, HOLDER | FRANZOES. ROST, HALTER |
| 38 502954 | V. BAGESTE RIST M/FJEDRE | LH REAR GRATE | L. HINTERROST |
| 38 434483 | FJEDER FOR SIDERIST | SPRING | FEDER |
| 38 14795900 | FRANSK RIST - HOLDER | FRENCH GRATE, HOLDER | FRANZOES. ROST, HALTER |



| Hjul | Wheel | Rad |
|-------------|-------------------------------------|-------------------------|
| 1 494956 | AFSTANDSRING V/HJULKONSOL | SPACE RING BY WHEEL BR. |
| 2 15099171 | LØBENAV PL-ST8008 FIRK. 80 X 714 MM | RUNNING HUB |
| 3 15099145 | LØBENAV PL-ST8008 FIRK. 80 X 445 MM | RUNNING HUB |
| 4 15079696 | AKSEL F. 150-99171 FIRK.80X 964 MM | AXLE |
| 5 15079669 | SE 150-99145 | SEE 150-99145 |
| 7 14530800 | JERNSPLIT Ø8 X 80 MM | SPLIT PIN |
| 8 503111 | PAKNINGSSÆT FOR NAVHUS | GASKET SET |
| 9 500075 | HJUL KPL. 540/65-R30 TL | WHEEL CPL. |
| 9 15034950 | HJULELÆLG H=8 E=+80 GUL | WHEEL HUB |
| 9 15013900 | TRAKTORDEK 540/65 R30 TL | TRACTOR TYRE |
| 10 50033 | RULLELEJE KONISK 30215 | CONE ROLLER BEARING |
| 11 15045300 | NAVHUS ST8008 8/220/275 | HUB HOUSING |
| 12 50031 | RULLELEJE KONISK 30213 | CONE ROLLER BEARING |
| 13 14414900 | AKSELMØTRIK M52 X 2 MM | SHAFT NUT |
| 14 15049400 | NAVKÆPSEL PEITZ Ø120.1 U/GEVIND | HUB CAP WO/THREAD |
| 15 15021600 | NAVOLT M20 X 1.5 X 54 MM | HUB BOLT |
| 16 15024410 | NAVØTRIK EM20 X 1.5 MM | HUB NUT |
| 17 14164200 | TÆPSESKRUE GROV M20 X 40 MM | STUD SET SCREW |
| 18 15867600 | UNDERLAGSKILE R=600 MM | SUPPORT KEY |
| 19 500070 | HJUL 600/60 - 30.5 - 14PK | WHEEL |
| 19 15032928 | HJULELÆLG 20.00 X 30.5" 8/221/275 | WHEEL RIM |
| 19 15016720 | SLANGE 600/60 X 30.5" | TUBE |
| 19 15011635 | DEK 600/60X30,5" 14PR-TBL | |
| 20 500057 | HJUL KPL. 16.9X30-14 PLY 8 HULS | WHEEL CPL 16.9X30-14 PL |
| 20 15034901 | HJULELÆLG DW14 X 30" E=-145 - 30186 | WHEEL RIM |
| 20 15018500 | SLANGE 16.9/14 X 30" | TUBE |
| 20 15013714 | TRA. BAGDEK 16.9 X 30" - 14 PLY | TRACTOR REAR TYRE |
| 21 14465100 | KONISK FJEDERSKIVE C20 | CONIAL SPRING WASHER |
| | | ABSTANDRING A/RADKONSO. |
| | | LAUFNABE |
| | | LAUFNABE |
| | | ACHSE |
| | | SIEHE 150-99145 |
| | | EISENSPLINT |
| | | DICHTSATZ |
| | | RAD KPL. |
| | | RADFELGE |
| | | SCHLEPPERREIFEN |
| | | KEGELROLLENLAGER |
| | | NABENGEHÆUSE |
| | | KEGELROLLENLAGER |
| | | ACHSMUTTER |
| | | NABENKÆPSEL O/GEVINDE |
| | | NABBOLZEN |
| | | NÆMMUTTER |
| | | ZAPFSETZSCHRAUBE |
| | | UNTERLAGSKEIL |
| | | RAD |
| | | RADFELGE |
| | | SCHLAUCH |
| | | RAD KPL. 16.9X30-14 PLY |
| | | RADFELGE |
| | | SCHLAUCH |
| | | SCHLEPPER HINTERREIFEN |
| | | FEDERSKIVE KONISK |

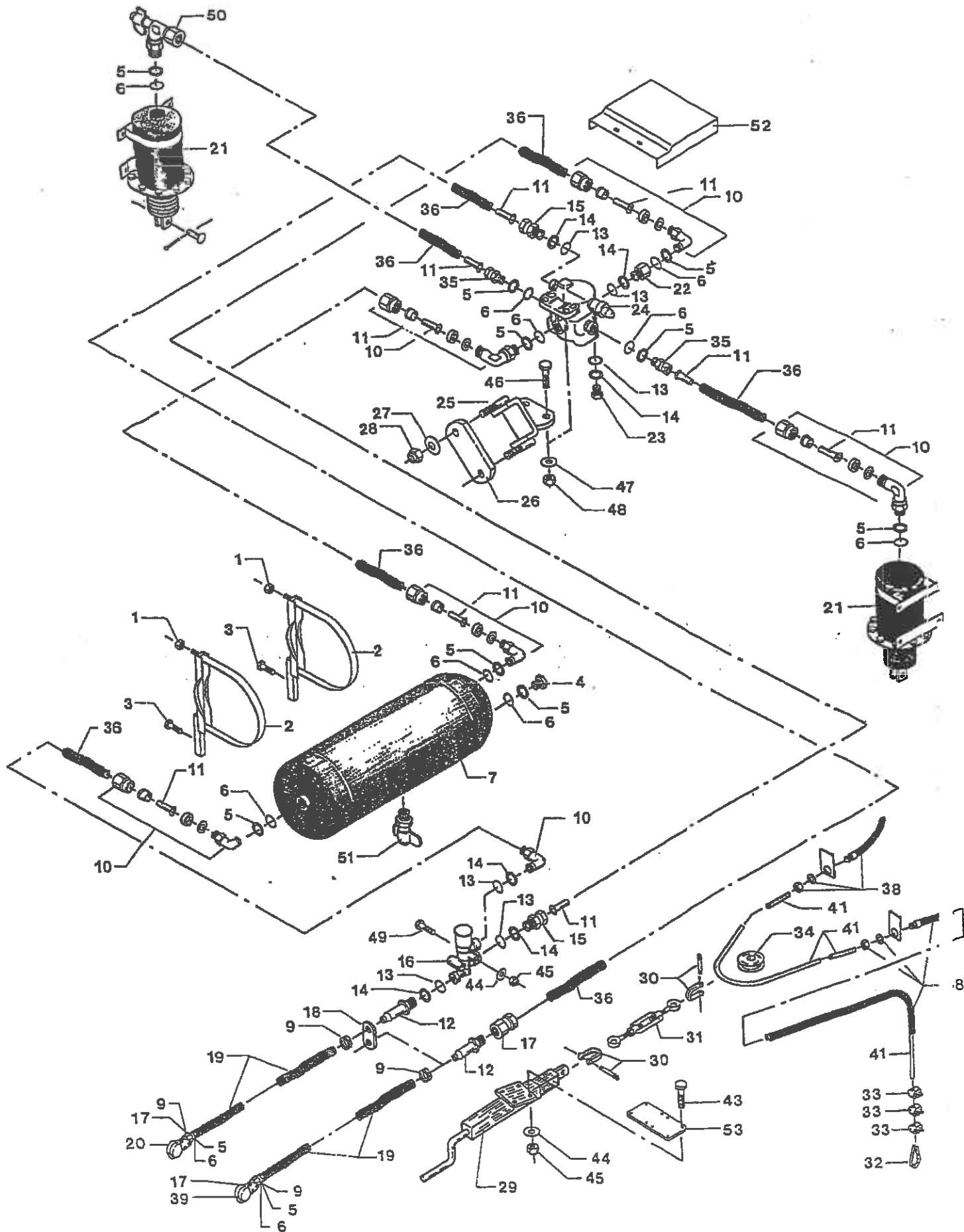


Hydraulisk bremse



Roeoptager

| Pos | Bestil nr. | Benævnelse | Description | Bezeichnung | Bemærkning |
|-----|------------|----------------------------|---------------------------|--------------------------|---------------|
| 1 | 477139 | Lang bremsenav m. konsol | Long brake hub w. brack. | Lange Bremsnabe m. Trae | |
| 2 | 477140 | Kort bremsenav m. konsol | Short brake hub w. brack. | Kurze Bremsnabe m. Trae. | 80x80 mm. |
| 3 | 15071165 | Hjulaksel | Wheel axle | Radwelle | |
| 4 | 500313 | Konisk rulleleje | Cone roller bearing | Kegeirollenlager | |
| 5 | 1930810 | Låsemøtrik | Nut | Mutter | M24 |
| 6 | 14441100 | Svær skive | Washer | Scheibe | ø25xø44x4 mm. |
| 7 | 15086901 | Laske | Splice | Laschen | |
| 8 | 15007904 | Bremsebakkebolt | Brake check bolt | Bremsbackbolzen | |
| 9 | 25443720 | Fjederholder | Spring holder | Federhalter | |
| 10 | 88695540 | Bremsebeslag | Brake fitting | Bremsbeschlag | |
| 11 | 350300 | Bremsecylinder | Brakecylinder | Bremszylinder | |
| 12 | 88709720 | Bremsebeslag | Fitting | Beschlag | |
| 13 | 494956 | Afstandsring v. hjulkonsol | Space ring by wheel br. | Abstandring a/radkonsol | |
| 14 | 1930807 | Låsemøtrik | Nut | Mutter | M16 |
| 15 | 477211 | Rondel ø102x6 | Disc | Rundell | |
| 16 | 15026643 | Bremseøgle | Brake toggle | Bremsnocken | |
| 17 | 419040 | Bremsearm (Håndbremse) | Brake lever (Handbrake) | Bremshebel (Handbremse) | |
| 18 | 14789800 | Fjeder | Spring | Feder | |
| 19 | 14789700 | Trækfjeder for bremsebakke | Tens. spring f. brake | Ziehfeder f. Bremsbacke | |
| 20 | 503111 | Pakningssæt for navhus | Gasket set | Dichtsatz | |
| 21 | 15004100 | Bremsebakkesæt | Brake | Bremse | |
| 22 | 15073303 | Bremsetromle | Brake drum | Bremsetromel | |
| 23 | 15045300 | Navhus | Hub housing | Nabengehaeuse | |
| 24 | 15024410 | Hjilmøtrik | Nut | Mutter | BM20x1,5 |
| 25 | 15021700 | Hjulbolt | Bolt | Bolzen | M20x1,5x70 |
| 26 | 15049400 | Navkapsel | Hub cap | Achskapsel | |
| 27 | 14414900 | Kronemøtrik | Nut | Mutter | M52x2 |
| 28 | 500311 | Konisk rulleleje | Bearing | Lager | 30213 |
| 29 | 13829320 | Smørenippel | Grease fitting | Schmiernippel | |
| 30 | 14530800 | Split | Split | Splint | ø8x80 |
| 31 | 14465100 | Konisk fjederskive C20 | Conical spring washer | Federscheibe konisch | |
| 32 | 14784100 | Trækfjeder | Spring | Feder | |

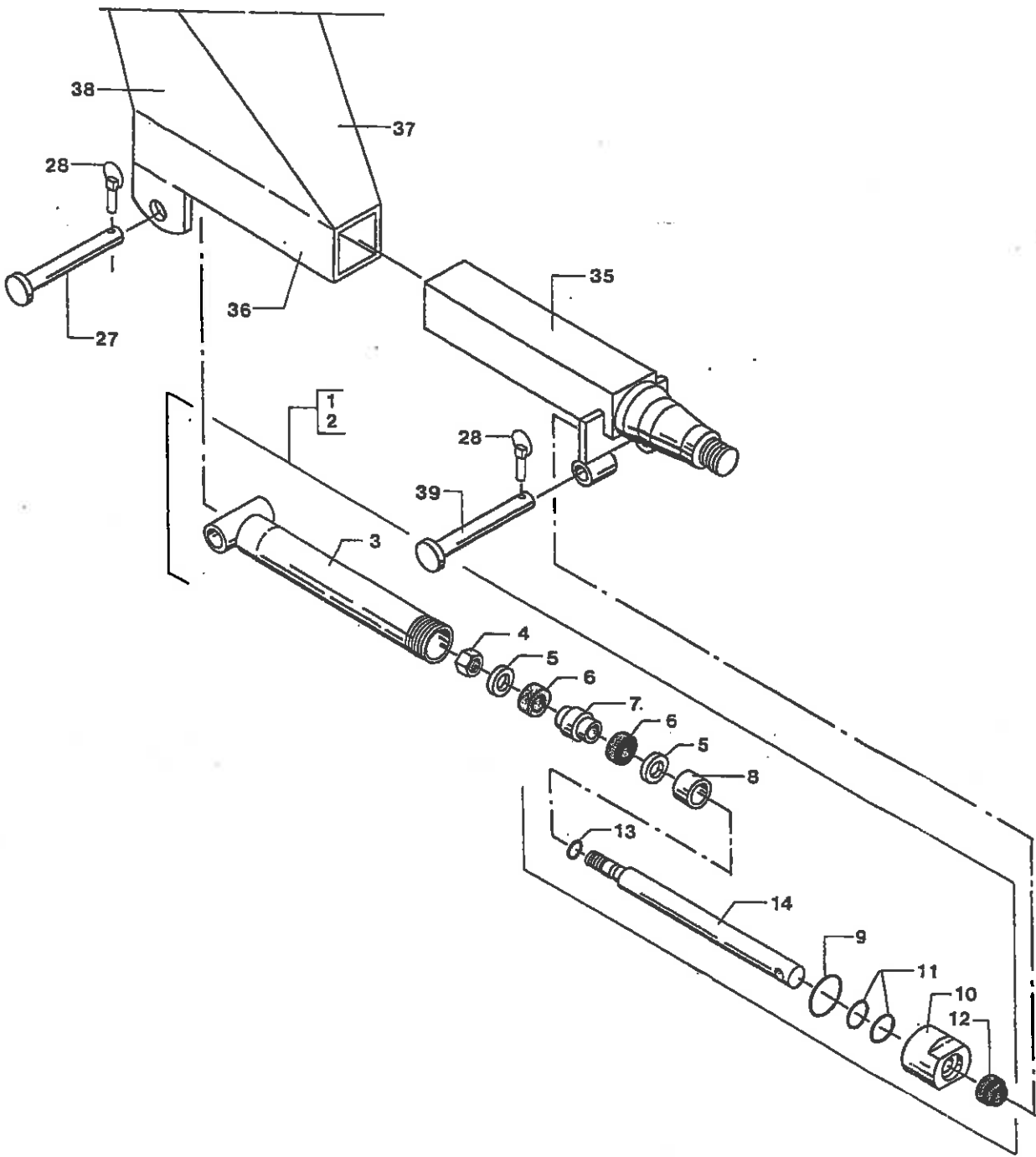


Trykluftbeholder

Air container

Druckbehälter

| Trykluftbeholder | Air container | Druckbehälter |
|------------------|-------------------------------------|-------------------------|
| 1 14410700 | MØTRIK M12 | NUT |
| 2 419042 | SPENDEBÅND | CLIP |
| 3 14159700 | TAPSETSKRUE GROV M10 X 20 MM | STUD SET SCREW |
| 4 13665904 | TESTNIPPEL M22 X 1.5 MM | TEST NIPPLE |
| 5 13255501 | PAKNINGSRING MESSING Ø22 MM | SEAL RING |
| 6 13313400 | O-RING Ø20.30 X 2.40 MM | O-RING |
| 7 13621500 | LUFTBEHOLDER - BREMSE 30 L | AIR CONTAINER - BRAKES |
| 9 14877800 | SPENDEBÅND 15 - 24 MM | CLIP |
| 10 13645301 | LUFTFORSKRUNING VINK.M22X1.5(15MM) | AIR BRANCH RIGHT-ANGLE |
| 11 13655913 | INDSTIKSBØSNING M/KRAVE Ø11 X 24 MM | INSERTION BUSH W/COLLAR |
| 12 13652100 | SLANGESTUDS M16 X 1.5 MM | HOSE STUB |
| 13 13311000 | O-RING Ø14.3 X 2.4 MM | O-RING |
| 14 13255301 | PAKNINGSRING MESSING Ø16 MM | SEAL RING |
| 15 13655532 | INDSKRUN. LIGE F/15 MM RØR M16X1.5 | PIPE CONNECTOR |
| 16 13624230 | LØSNERVENTIL 2-LEDER | RELEASE VALVE |
| 17 13361515 | SKRERERING FOR LUFT 15 MM | CLAMPING RING F/AIR |
| 17 13256899 | TRYKRING FOR LUFT 15 MM | PRESSURE RING F/AIR |
| 17 13256910 | PAKNINGSRING Ø22.33 X 14.86 X T | SEAL RING |
| 18 477213 | SLANGEHOLDER 30 X 6 X 72 MM | HOSE HOLDER |
| 19 13657300 | GUMMISLANGE D=13 MM (METER?) | RUBBER HOSE (METER?) |
| 20 13624400 | KOBLINGSHOVED M22 X 1,5 - RØD | COUPLING HEAD - RED |
| 21 13616100 | LUFTBREMSCYLINDER Ø80 MM | AIR BRAKE CYLINDER |
| 22 13665303 | NIPPELMUFFE M22 X 1,5 - M16 X 1.5 | ADAPTOR |
| 23 13648300 | PROP M16 X 1.5 MM | PLUG |
| 24 13624130 | ANHÆNGERBREMSEVENTIL 2-LEDER | EX.TRAILER BRAKE VALVE |
| 25 477210 | BESLAG (KRB/S 2RE) | FITTING |
| 26 445246 | SPENDEBESLAG | CLAMP |
| 27 14440500 | SVER SKIVE 13 X 24 X 2.5 MM | WASHER |
| 28 14430700 | LÅSEMØTRIK M12 | LOCK NUT |
| 29 477252 | HÅNDBREMSE | HAND BRAKE |
| 30 14842400 | SJÆKEL GALV. 3/8" MED MØTRIK | SHACKLE W/NUT |
| 31 14856100 | BARDUNSTRAMMER FZB 1/2" 2 ØJER | WIRE STRAINER W/2 EYES |
| 32 14837800 | KOV 1 1/2" = 6 MM | THIMBLE |
| 33 14847010 | WIRELÅS FZB DIN 1142 5.0 MM | WIRE LOCK |
| 34 660054 | FØRINGSRULLE F. WIRE | GUIDE ROLLER F/WIRE |
| 35 13642601 | LUFTFORSKRUNING LIGE M22X1.5 (15MM) | AIR BRANCH STRAIGHT |
| 36 13660000 | BREMSE RØR PLAST 15 X 20 MM (PR.M) | BRAKE PIPE (METER?) |
| 37 15834900 | BOWDENKABELHYLSTER = 1500 MM | BOWDEN CABLE COVER |
| 38 15834928 | BOWDENKABELHYLSTER M/FORSKR. 2800MM | BOWDEN CABLE COVER |
| 39 13624401 | KOBLINGSHOVED M22 X 1.5 MM - GUL | COUPLING HEAD - YELLOW |
| 41 15330900 | WIRE FZB 6 MM 7 X 19 + 7FC | WIRE |
| 43 14085500 | SETSKRUE GROV M8 X 25 MM | SET SCREW |
| 44 14450100 | LET SKIVE 1/4" | WASHER |
| 45 14430300 | LÅSEMØTRIK M8 | LOCK NUT |
| 46 14087800 | SETSKRUE GROV M10 X 40 MM | SET SCREW |
| 47 14440400 | SVER SKIVE 10.5 X 21 X 2 MM | WASHER |
| 48 14430500 | LÅSEMØTRIK M10 | LOCK NUT |
| 49 14043000 | MASKINBOLT GROV M8 X 70 MM | BOLT |
| 50 13665925 | TESTHANE 15 MM M22 X 1.5 MM | TEST TAP |
| 51 13624300 | AFVANDINGSVENTIL | DEHYDRATION VALVE |
| 52 477456 | SKÆRM OVER BREMSEREGULATOR | GUARD O/BRAKE VALVE |
| 53 475116 | BESLAG F/HÅNDBREMSE | FITTING F/HAND BRAKE |

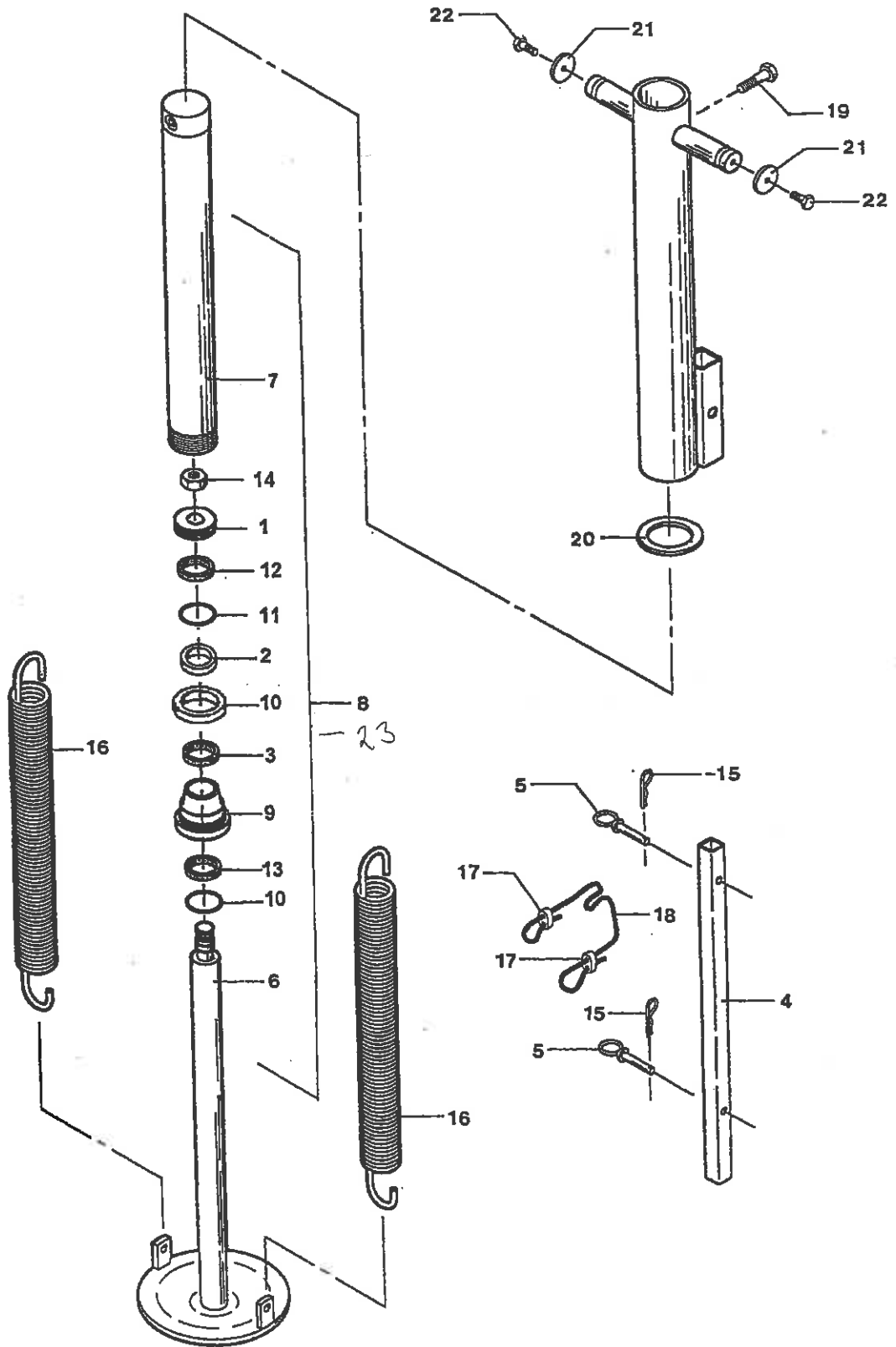


Hydr. sideregulering af hjul

Hydr. side adjustment of wheel

Hyd. Seitenregulierung von Rad

| | | | | |
|----|----------|------------------------------------|-------------------------|-------------------------|
| 1 | 502267 | CYLINDER D-42/30-415/610 | RAM | ZYLINDER |
| 2 | 350626 | PAKNINGSSÆT D-Ø42/Ø30 | GASKET SET | DICHTSATZ |
| 3 | 502381 | CYLINDERRØR Ø50 X 4 X 300 MM | CYLINDER PIPE | ZYLINDERROHR |
| 4 | 14413310 | MØTRIK MF20 X 1 MM | NUT | MUTTER |
| 5 | 443762 | SKIVE FOR Ø42 CYL. | DISC | SCHEIBE |
| 6 | 13345100 | NUTRING 42 X 30 X 10 MM | OIL SEAL | MANSCHETTE |
| 7 | 443761 | MANCHETHOLDER Ø42 DOB. Ø50 X 34 MM | OIL SEAL HOLDER, DOUBLE | HALTER F/MANSCHETTE DOP |
| 8 | 502413 | STOPRING Ø35/Ø31 X 50 MM | STOP RING | HALTERING |
| 9 | 13315000 | O-RING Ø44.2 X 5.7 MM | O-RING | O-RING |
| 10 | 491592 | TOEMØTRIK Ø50 | TOP NUT | KOPFMUTTER |
| 11 | 13314000 | O-RING Ø29.75 X 3.53 MM | O-RING | O-RING |
| 12 | 13387000 | ÆSTRYGGER 30 X 40 X 7/10 MM | WIPER | ABSTREIFER |
| 13 | 13311400 | O-RING Ø15.3 X 2.4 MM | O-RING | O-RING |
| 14 | 502382 | STEMPELSTANG Ø30 X 385 MM | PISTON ROD | KOLBENSTANGE |
| 15 | | | | |
| 16 | | | | |
| 17 | | | | |
| 18 | | | | |
| 19 | | | | |
| 20 | | | | |
| 21 | | | | |
| 22 | | | | |
| 23 | | | | |
| 24 | | | | |
| 25 | | | | |
| 26 | | | | |
| 27 | 500149 | NAGLE Ø19 X 122 MM | PIN | NAGEL |
| 28 | 14538700 | TRAKTORSPLIT Ø8 MM | LINCH PIN | SICHERUNGSSPLINT |
| 29 | | | | |
| 30 | | | | |
| 31 | | | | |
| 32 | | | | |
| 33 | | | | |
| 34 | | | | |
| 35 | 502391 | LØBENAV M/CYLINDERBESLAG FRA 1990 | RUNNING HUB W/CYL. FIT. | LAUFNABE M/ZYL.-BESCHL. |
| 36 | 502386 | TELESKOPRØR 400 MM | TELESCOPIC PIPE | TELESKOPROHR |
| 37 | 502387 | FORPLADE F/HJULKONSOL | FRONT PLATE F/WH.BRACK. | FRONTPLATTE F/RADKONSO. |
| 38 | 502388 | TREKANTPLADE F/HJULKONSOL | TRIANGLE PLATE F/WH.BR. | DREIECKPLATTE F/RADKON. |
| 39 | 443650 | NAGLE Ø19 X 165 MM | PIN | NAGEL |



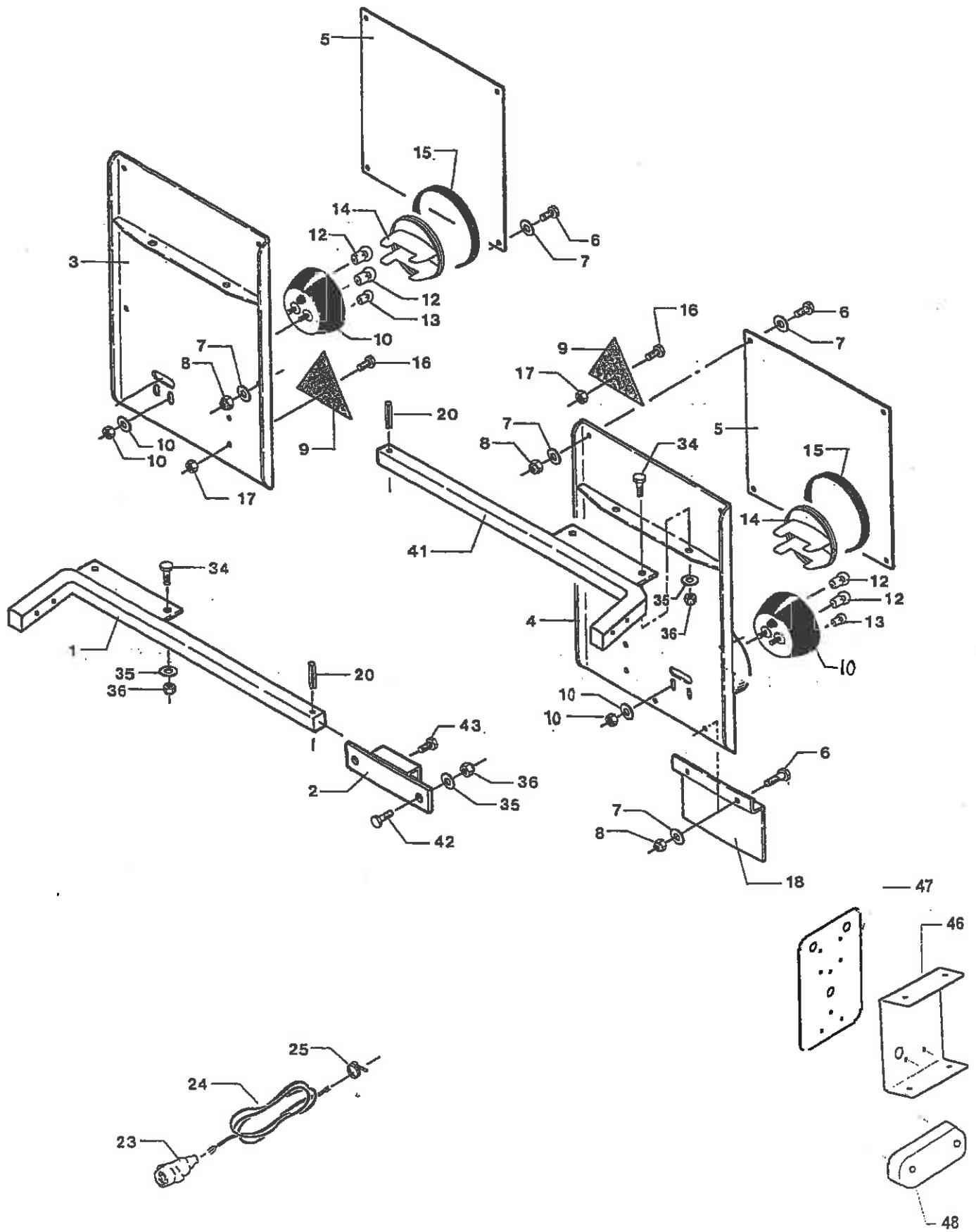
Hydr. støtteben

Hydr. support leg

Hydr. Stützbein

| | | | |
|-------------|-------------------------------------|------------------|-------------------------|
| 1 446440 | STEMPELHOVED GG25 Ø63.7/Ø30 X 40 MM | PISTON HEAD | KOLBENKOPF |
| 2 432981 | FØRINGSBÅND 25 X 5 X 144 MM | GUIDE BAND | FUEHRUNGSBAND |
| 3 13376545 | STEMPELRING Ø45 X Ø55 X 10 MM | PISTON RING | KOLBENRING |
| 4 492064 | STØTTEBEN RST.42-2. | SUPPORT LEG. | STUETZBEIN. |
| 5 493009 | NAGLE Ø12/Ø4.5 X 59 MM | PIN | NAGEL |
| 6 477571 | STEMPELSTANG, SVEJST | PISTON ROD | KOLBENSTANGE |
| 7 477572 | CYLINDERRØR, SVEJST | CYLINDER PIPE | ZYLINDERROHR |
| 8 477570 | CYLINDER D065/45-0860-1460 GD | CYLINDER | ZYLINDER |
| 9 477569 | STEMPELSTYR M72X2 / Ø45 | PISTON GUIDE | KOLBENFUHRUNG |
| 10 13313570 | O-RING Ø70,00 X 4,00 MM | O-RING | O-RING |
| 11 13314000 | O-RING Ø29.75 X 3.53 MM | O-RING | O-RING |
| 12 13376507 | STEMPELTÆTNING 65X50X29,8 MM | GASKET F/PISTON | DICKTUNG F/KOLBENS. |
| 13 13387800 | AFSTRYGGER 45 X 55 X 7/10 MM | WIPER | ABSTREIFER |
| 14 14434900 | LÅSEMØTRIK M24 | LOCK NUT | GEGENMUTTER |
| 15 14535500 | HÅRNÅLESPLIT Ø4 MM | CLEVIS PIN | SPLINT |
| 16 14787200 | TREKFNEDER 1 ØJE 2 ENDER Ø8 X Ø56 | TENSION SPRING | ZIEHFEDER |
| 17 14850300 | WIREKLEMMER 3 MM | WIRE CLIP | DRAHTKLEMME |
| 18 15330100 | WIRE PVC OVERTRUKKET 1.3 MM/2.3 MM | WIRE, PVC COATED | STAHLDRAHT, PVC-UEBERZ. |
| 19 14159700 | TAPSETSKRUE GROV M10 X 20 MM | STUD SET SCREW | ZAPFSETZSCHRAUBE |
| 20 672862 | SKIVE Ø102/Ø75.2/6 | WASHER | SCHEIBE |
| 21 446431 | STOPSKIVE Ø50/Ø9 X 6 MM | WASHER | SCHEIBE |
| 22 14085600 | SETSKRUE GROV M8 X 30 MM | SET SCREW | SETZSCHRAUBE |

23 477576 gæbningsæt



Lysanlæg - D

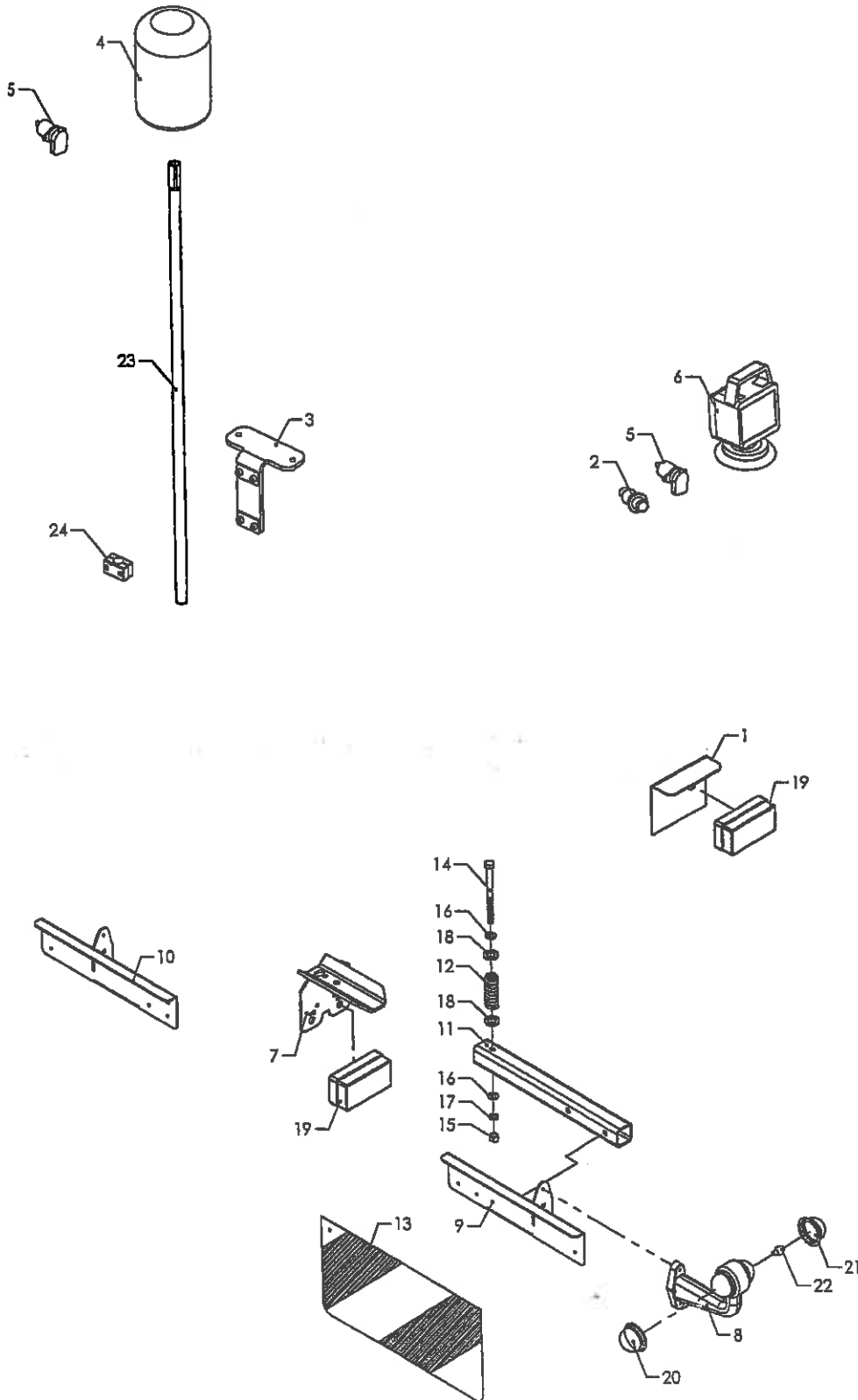
Traffic lights - D

Beleuchtungsanlage - D

| | | | |
|-------------|------------------------------------|-------------------------|--------------------------|
| 1 444501 | SKYDER FOR LYSPLADE KPL. | SLIDE F. LIGHT PLATE CP | SHIEBER F/LICHTPL. KPL |
| 2 477208 | BESLAG M. HOLDERØR (KRB/S 2RE) | FITTING W/RETAIN PIPE | BESCHLAG M/HALTERØHR |
| 3 477197 | LYSPLADE HØJRE (KRB/S 2RE) | LIGHT PLATE RH | LICHTPLATTE RECHT |
| 4 477198 | LYSPLADE VENSTRE (KRB/S 2RE) | LIGHT PLATE LH | LICHTPLATTE LINK |
| 5 12441020 | ADVARSELSTAVLE 423 X 423 X 1.25 MM | WARNING SIGN | WARNUNGSTAFEL |
| 6 14083800 | SETSKRUE GROV M6 X 16 MM | SET SCREW | SETZSCHRAUBE |
| 7 14440100 | SVÆR SKIVE 6.4 X 12.5 X 1.6 MM | WASHER | SCHEIBE |
| 8 14430100 | LÅSEMØTRIK M6 | LOCK NUT | GEGENMUTTER |
| 9 12550600 | REFLEXTREKANT LILLE - RØD | TRIANGLE REFL.SMALL RED | REFLEXDREIECK KLEIN, ROT |
| 10 12552000 | BAGLYGTE U/NUMMERPL. LYS Ø140 | REAR LIGHT WO/NU.PL.LI. | SCHLUSSLATERNE O/NR.LI. |
| 11 | | | |
| 12 12517800 | EL-PÆRE 12498 (12V 21W) | BULB | EL. BIRNE |
| 13 12519400 | EL-PÆRE 12821 (12V 5W) | BULB | EL. BIRNE |
| 14 12527800 | LYGTEGLAS TIL 125-52000/52200 | LAMP LENS | LATERNEGLAS |
| 15 17872500 | KANTBESKYTTELSESPROFIL FR. M | EDGE PROTECTION PROFILE | KANTENSCHUTZPROFIL |
| 16 14183400 | JERNMASKINSKRUE M5 X 12 MM | SCREW | SCHRAUBE |
| 17 14410100 | MØTRIK M5 | NUT | MUTTER |
| 18 477218 | PLADE 2 X 180 X 220 MM | PLATE | PLATTE |
| 19 | | | |
| 20 14566100 | RØRSPENDESTIFT Ø6 X 36 MM | DOWEL | ROHRSPANNSTIFT |
| 21 | | | |
| 22 | | | |
| 23 12516600 | HANSTIK 7-POLET | PLUG SOCKET | STECKER : |
| 24 12504900 | PVC-KABEL 0.75 KVD. 7-LEDET | PVC-CABLE | PVC-KABEL |
| 25 12526700 | KABELBÅND 170 MM LANG | CABLE BAND | KABELBAND |
| 26 | | | |
| 27 | | | |
| 28 | | | |
| 29 | | | |
| 30 14182700 | JERNMASKINSKRUE M4 X 16 MM | SCREW | SCHRAUBE |
| 31 14440000 | SVÆR SKIVE 5.3 X 10 X 1 MM | WASHER | SCHEIBE |
| 32 14410000 | MØTRIK M4 | NUT | MUTTER |
| 33 | | | |
| 34 14087600 | SETSCHRUE GROV M10 X 30 MM | SET SCREW | SETZSCHRAUBE |
| 35 14440400 | SVÆR SKIVE 10.5 X 21 X 2 MM | WASHER | SCHEIBE |
| 36 14430500 | LÅSEMØTRIK M10- | LOCK NUT | GEGENMUTTER |
| 37 14430700 | LÅSEMØTRIK M12 | LOCK NUT | GEGENMUTTER |
| 38 14085300 | SETSCHRUE GROV M8 X 16 MM | SET SCREW | SETZSCHRAUBE |
| 39 | | | |
| 40 14440500 | SVÆR SKIVE 13 X 24 X 2.5 MM | WASHER | SCHEIBE |
| 41 477206 | SKYDER F. LYSPLADE (KRB/S 2RE) | SLIDE F/LIGHT PLATE | SHIEBER F/LICHTPLATTE |
| 42 14044500 | MASKINBOLT GROV M10 X 65 MM | BOLT | BOLZEN |
| 43 14087400 | SETSCHRUE GROV M10 X 20 MM | SET SCREW | SETZSCHRAUBE |
| 44 | | | |
| 45 | | | |
| 46 477545 | PLADE F SIDEMARKERINGSLYGTE | PANEL FOR LIGHT | BLECH V. LICHT |
| 47 477546 | UNIV:PLADE F SIDEMARK.LYGTE | PANEL FOR LIGHT | BLECH V. LIGHT |
| 48 862440 | SIDEMARKERINGSLYGTE | SIDE INDIC. LIGHT | SEITENMARK.-LICHT |



Lysanlæg

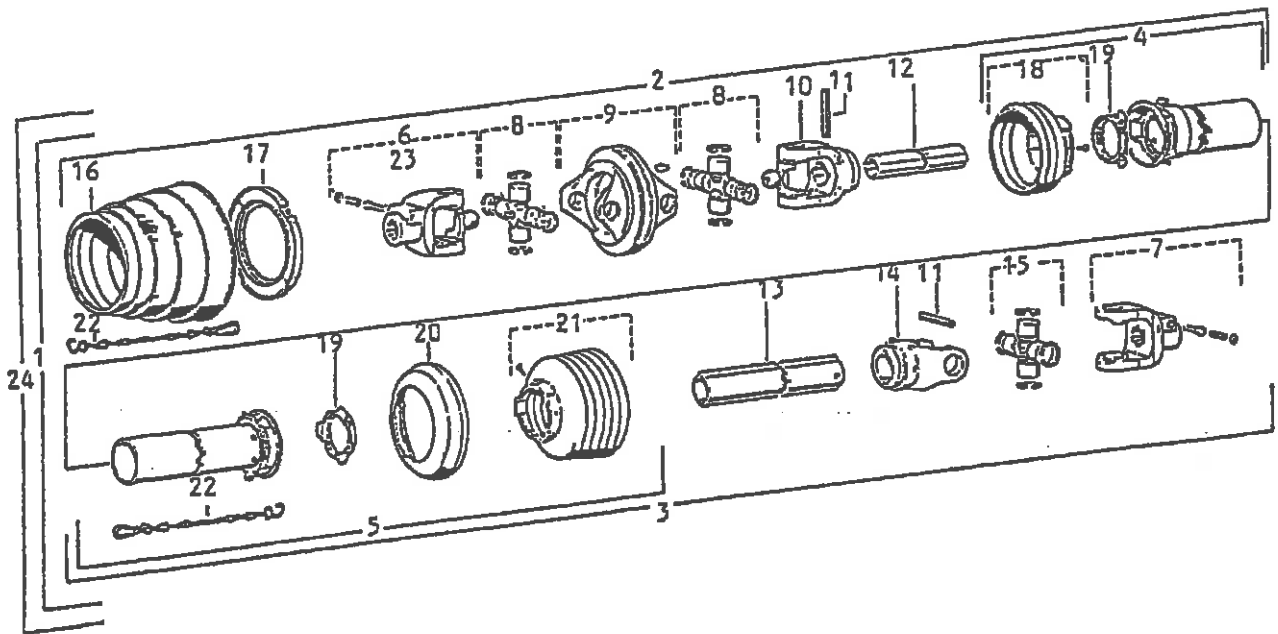


Roeoptager

| Pos | Bestil nr. | Benævnelse | Description | Bezeichnung | Bemærkning |
|-----|------------|------------------------------|-------------------|-------------------|------------|
| 1 | 88706790 | Plade f. sidemarkeringslygte | Panel f. light | Blech v. Licht | |
| 2 | 862424 | Stik 3-pol, han | Plug socket | Stecker | |
| 3 | 88705700 | Vinkelbeslag | Angle brace | Winkelband | |
| 4 | 861057 | Rotorblink | Rotor flash | Warnungslicht | 12V |
| 5 | 862423 | Stik, hun | Socket | Steckbuchse | |
| 6 | 861110 | Arbejdslygte | Working light | Arbeitslicht | |
| 7 | 88700080 | Beslag | Mounting | Beschlag | |
| 8 | 862360 | Slingelygte kpl. | Lateme cpl. | Lamp Kpl. | |
| 9 | 88700090 | Lygtebeslag, V | Mounting, L | beschlag, L | |
| 10 | 88700100 | Lygtebeslag, H | Mounting, R | Beschlag, R | |
| 11 | 88700030 | Profil | Profil | Profil | |
| 12 | 28680540 | Fjeder | Spring | Feder | |
| 13 | 12441020 | Advarselstavle | Warning sign | Warnungstafel | |
| 14 | 1920221 | Stålbolt | Bolt | Bolzen | M10x130 |
| 15 | 1930803 | Låsemøtrik | Nut | Mutter | M10 |
| 16 | 1930905 | Spændeskive | Washer | Scheibe | M10 |
| 17 | 1930945 | Fjederskive | Washer | Scheibe | M10 |
| 18 | 1930909 | Spændeskive | Washer | Scheibe | M16 |
| 19 | 862440 | Sidemarkeringslygte | Side indic. light | Seitenmark. Licht | |
| 20 | 862370 | Glas løs | Glass | Glas | Rød |
| 21 | 862369 | Glas løs | Glass | Glas | Hvid |
| 22 | 862364 | Pære | Bulb | Birne | 12V/5W R5W |
| 23 | 88700300 | Rør for rotorblink | Pipe | Rohr | |
| 24 | 702714 | Rørbærer | Pipe clamp | Rohrträger | 20 mm. |

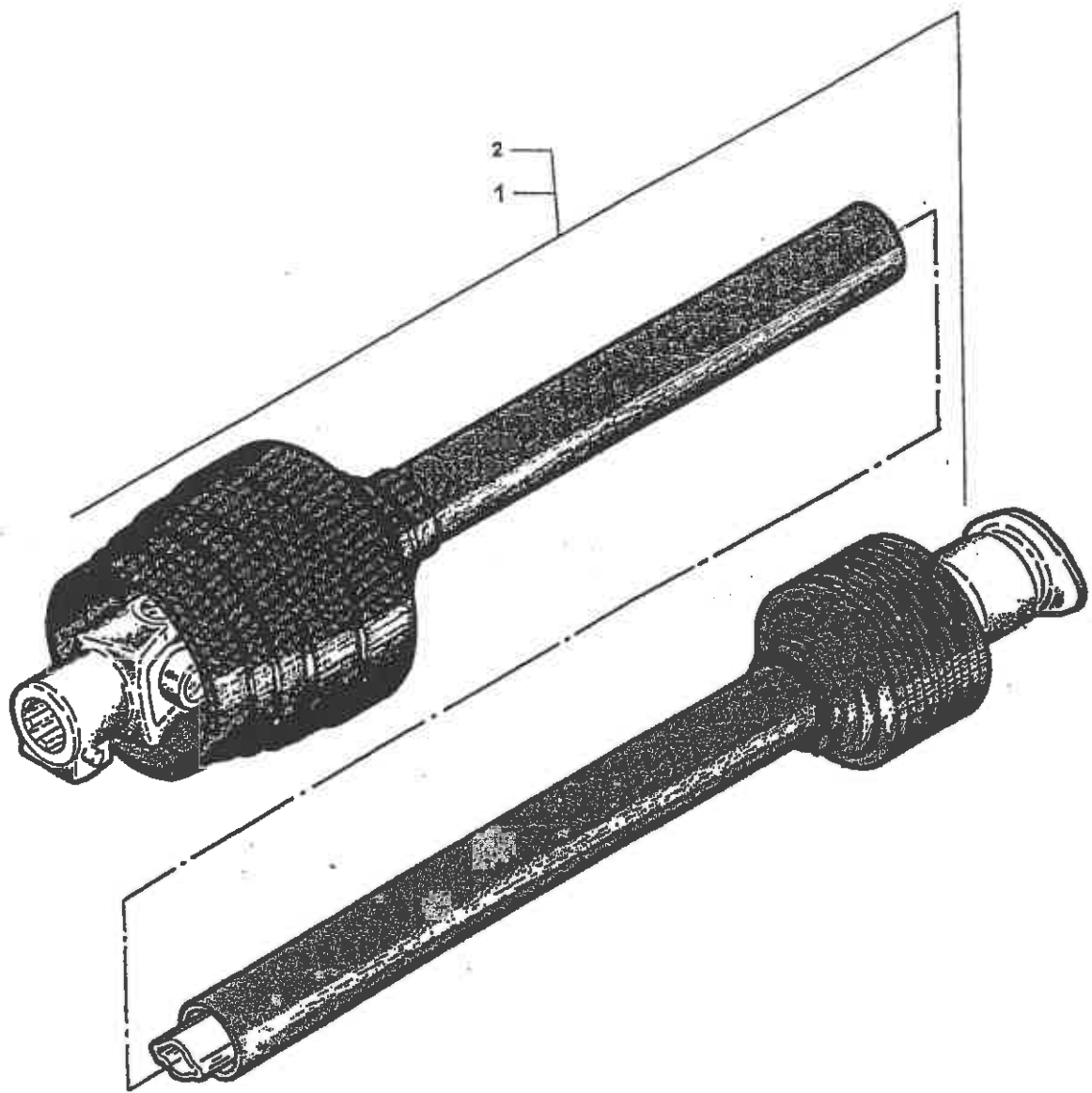


WWE2380



Roeoptager

| Pos | Bestil nr. | Benævnelse | Description | Bezeichnung | Bemærkning |
|-----|------------|----------------------------|----------------------|----------------------|---------------------------|
| 1 | 504944 | P.T.O. Aksel Kpl. 6 Spline | P.T.O. Shaft Cpl. | P.T.O. Welle Kpl. | Wwe2380-Sd25-1160(177967) |
| 2 | 504942 | 1/2 P.T.O. Aksel | 1/2 P.T.O. Shaft | 1/2 P.T.O. Welle | Wwh2380-Sd25-1085(177964) |
| 3 | 504943 | 1/2 P.T.O. Aksel | 1/2 P.T.O. Shaft | 1/2 P.T.O. Welle | Wh2300-Sd25-980 (177965) |
| 4 | 504776 | 1/2 Rørbeskytt Udv. | Outer Guard Half | Aussere Schutzölflte | Sch25-A1000-Pr3 |
| 5 | 504775 | Rørbeskyttelse Indv. | Inner Guard Half | Innere Schutzölflte | Sdh25-31000-Rp7-K |
| 6 | 504110 | Gaffel - 6 Spline | Quick-Disconnet Yoke | Aufsteckgabel | Ag2380-1 3/8" (6) |
| 7 | 504099 | Gaffel | Quick-Disconnet Yoke | Aufsteckgabel | Ag2300-1 3/8" (6) |
| 8 | 504069 | Kryds Kpl. | Cross Kit Cpl. | Kreuzgarnitur Kpl. | Ww2380 |
| 9 | 504109 | Dobb. Gaffel | Double Yoke | Doppelgabel | Dopg2380 |
| 10 | 504111 | Gaffel | Inboard Yoke | Rillengabel | RG2380-1b |
| 11 | 911679 | Rørstift | Roller Pin | Spannstift | Din1-481-10x75 |
| 12 | 504220 | Profilrør | Profile Tube, Coated | Profilrohr | 1bga-940 |
| 13 | 504221 | Profilrør | Profile Tube | Profilrohr | 2ag-930 |
| 14 | 504101 | Gaffel | Inboard Yoke | Rillengabel | RG2300-2a |
| 15 | 504073 | Kryds Kpl. | Cross Cpl. | Kreuzgarnitur Kpl. | (044444) |
| 16 | 504068 | Beskyttelseskærm | Guard Cone | Schutztrichter | Sd15/25-2380 |
| 17 | 504067 | Glideleje | Bearing Ring | Gleitring | Sd15/25-2380 |
| 18 | 504784 | Beskyttelseskærm | Guard Cone | Schutztrichter | N=RP3 |
| 19 | 504782 | Glideleje | Bearing Ring | Gleitring | (087276) |
| 20 | 504783 | Støttering | Reinforcing Coller | Stützring | (359471) |
| 21 | 504784 | Beskyttelseskærm | Guard Cone | Schutztrichter | N=RP5 |
| 22 | 504702 | Holdekæde | Safety Chain | Haltekette | 400 |
| 23 | 504107 | Gaffel - 21 Spline | Quick-Disconnet Yoke | Aufsteckgabel | |
| 24 | 504930 | P.T.O.Aksel Kpl. 21 Spline | P.T.O. Shaft Cpl. | P.T.O. Welle Kpl. | |



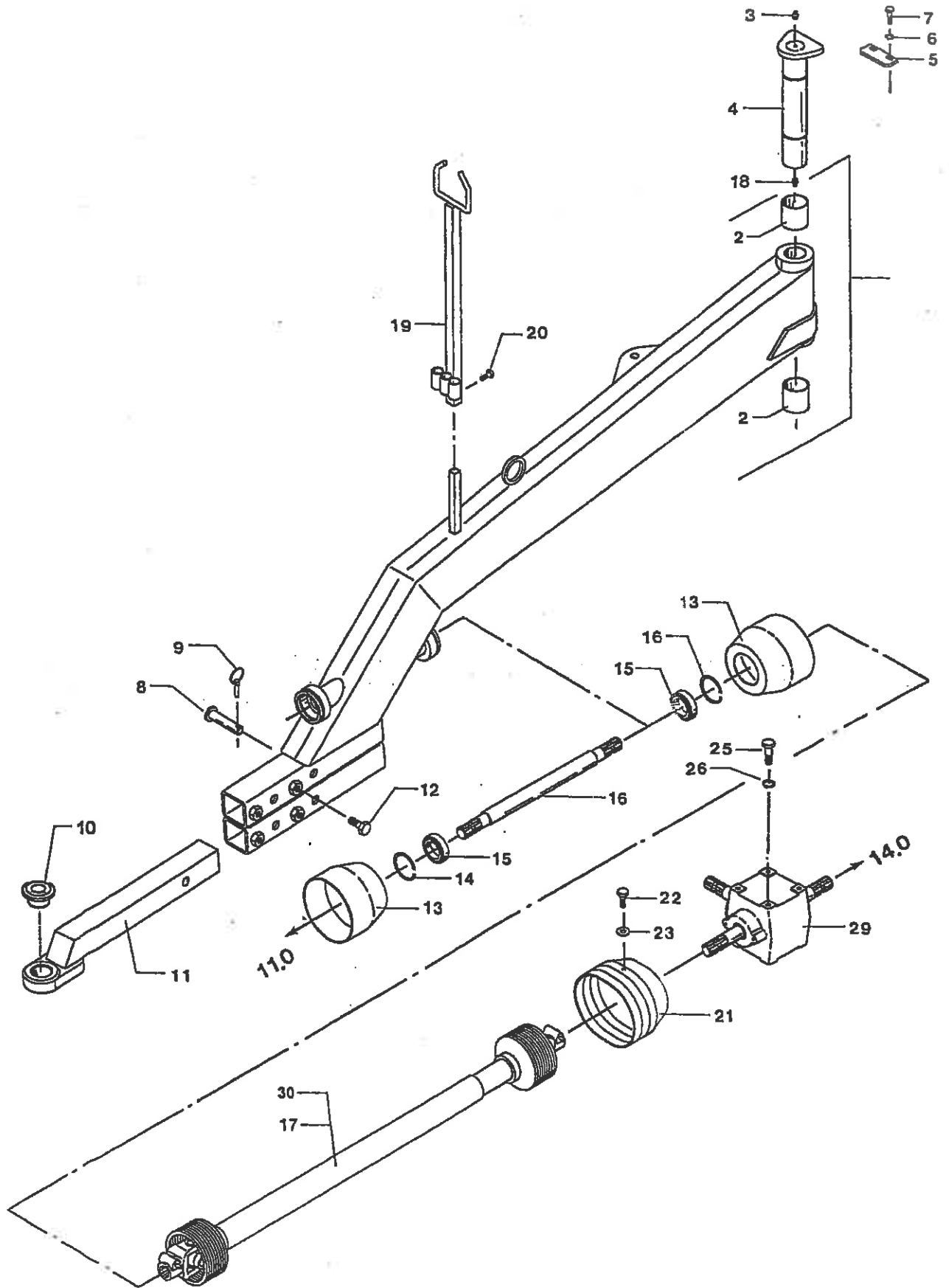
MIISA-TE120 / KRB/S-212 RESERVEDELSLISTE MED TILBEHØR
 MIISA-TE120 / KRB/S-212 SPARE PARTS LIST WITH ACCESSORIES
 MIISA-TE120 / KRB/S-212 ERSATZTEILLISTE MIT ZUBEHOER

Kraftaksel WWE - 8 splines

P.T.O. shaft WWE - 8 splines

Gelenkwelle WWE - 8 spline

| | WALTERSCHEID PTO-AKSLER | WALTERSCHEID PTO SHAFTS | WALTERSCHEID GELENKWELL |
|------------|----------------------------------|-------------------------|-------------------------|
| 1 | KRAFTAKSEL WW2480-SD25 1210 | PTO-SHAFT | GELENKWELLE |
| 1 15407811 | NÅLELEJEKRYDS WW 80 GR.-W2480 | UNIV. JOINT W/BEARINGS | KREUZGARNITUR |
| 1 15481601 | NÅLELEJEKRYDS W2400-350000 | UNIV. JOINT W/BEARINGS | KREUZGARNITUR |
| 1 15481602 | FRILØBSKOBLING 1 3/8"FS/1R-W2480 | OVERRUNNING CLUTCH | FREILAUFKUPPLUNG |
| 1 15439625 | BONDIOLI PTO-AKSLER | BONDIOLI PTO SHAFTS | BONDIOLI GELENKWELEN |
| 2 | KRAFTAKSEL L= 860MM | PTO SHAFT | GELENKWELLE |
| 2 15419160 | NÅLELEJEKRYDS 656 | UNIV. JOINT W/BEARINGS | KREUZGARNITUR |
| 2 15419161 | NÅLELEJEKRYDS 656 | UNIV. JOINT W/BEARINGS | KREUZGARNITUR |
| 2 15419162 | GAFFEL M/DREJELÅS 656 Z=6 | YOKE | GABEL |
| 2 15419164 | GAFFEL M/DREJELÅS 656 Z=8 | YOKE | GABEL |
| 2 15419165 | GAFFEL M/SNAPLÅS 656 Z=6 | YOKE W/SNAP LOCK | GABEL M. SCHNAPPSCHLOSS |
| 2 15419167 | | | |



Stjært - DK + drev 1

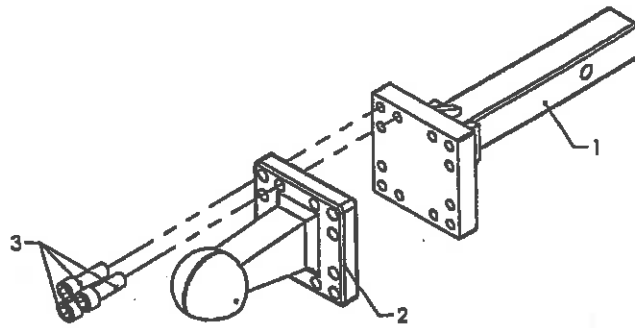
Drawbar - DK + drive 1

Deichsel - DK + Antrieb 1

| | | | |
|-------------|------------------------------------|-------------------------|-------------------------|
| 1 475054 | LANG STJERT M/KNEK (60 MM NAGLE) | LONG BENT DRAWBAR | LANGE DEICHSEL M/KNICK |
| 2 16000395 | GLIDELEJE M/TEFLON 60 X 65 X 70 MM | SLIDE BEARING W/TEFLON | GLEITLAGER M/TEFLON |
| 3 13841000 | SMØRENIPPEL LIGE MF8 X 1 MM | GREASE NIPPLE STRAIGHT | SCHMIERNIPPEL GERADE |
| 4 475087 | NAGLE F. STJERT Ø60 X 375 MM | PIN F/DRAWBAR | NAGEL F/DEICHSEL |
| 5 492021 | SPANDEBESLAG FL. 40 X 8 X 100 MM | LOCKING PLATE | SPANNBESCHLAG |
| 6 14462600 | CENTERFJEDERSKIVE M10 | SPRING WASHER | FEDERSCHEIBE |
| 7 14087400 | SETSkrUE GROV M10 X 20 MM | SET SCREW | SETZSCHRAUBE |
| 8 667088 | NAGLE Ø25 X 115 MM | PIN | NAGEL |
| 9 14538700 | TRAKTORSPLIT Ø8 MM | LINCH PIN | SICHERUNGSSPLINT |
| 10 477562 | PRODSØJE-INDLÆG Ø52,5 | HITCH EYE INSERT | ZUGOESSEN-EINSATZ |
| 11 477137 | PRODSØJETREK FOR STJERT (70 X 70) | HITCH RING F/DRAWBAR | ZUGOSE F/DEICHSEL |
| 12 14164200 | TAPSETSKRUE GROV M20 X 40 MM | STUD SET SCREW | ZARFSETZSCHRAUBE |
| 13 15489100 | BESKYTTELSESTRAGT | GUARD FUNNEL | SCHUTZTRICHTER |
| 14 14686600 | SEEGERRING INDV. Ø80 MM | CIRCLIP | SICHERUNGSPING |
| 15 15113500 | SPORKUGLELEJE ENREK. 6307-RS | STEEL BALL BEARING 1-R. | SPURKUGELLAGER 1-REIH. |
| 16 475067 | AKSEL FOR STJERT Ø41 X 616 MM | DRAWBAR SHAFT | DEICHSELWELLE |
| 17 | WALTERSCHEID PTO-AKSLER | WALTERSCHEID PTO SHAFTS | WALTERSCHEID GELENKWELL |
| 17 15402006 | KRAFTAKSEL L=610 | PTO SHAFT | GELENKWELLE |
| 17 15443600 | GAFFEL M/SNAPLÅS 1 3/8"-W2300 | YOKE W/SNAP LOCK | GABEL M/SCHNAPPSCHLOSS |
| 17 15481800 | NÅLELEJEKRYDS W2300-210000 | UNIV. JOINT W/BEARINGS | KREUZGARNTUR |
| 18 13828300 | SMØRENIPPEL 90 GR. MF8 X 1 MM | GREASE NIPPLE | SCHMIERNIPPEL |
| 19 475085 | OPSTANDER FOR KABELTRÆK (90) | UPRIGHT F/CABLE CONTROL | STÄNDER F/KABELSTEUER. |
| 20 14159700 | TAPSETSKRUE GROV M10 X 20 MM | STUD SET SCREW | ZARFSETZSCHRAUBE |
| 21 15489000 | BESKYTTELSESTRAGT | GUARD FUNNEL | SCHUTZTRICHTER |
| 22 14085300 | SETSkrUE GROV M8 X 16 MM | SET SCREW | SETZSCHRAUBE |
| 23 14462600 | CENTERFJEDERSKIVE M10 | SPRING WASHER | FEDERSCHEIBE |
| 25 14089600 | SETSkrUE GROV M12 X 25 MM | SET SCREW | SETZSCHRAUBE |
| 26 14462700 | CENTERFJEDERSKIVE M12 | SPRING WASHER | FEDERSCHEIBE |
| 29 | SIDE 64.0 | PAGE 64.0 | SEITE 64.0 |
| 30 | BONDIOLI PTO-AKSLER | BONDIOLI PTO SHAFTS | BONDIOLI GELENKWELLEN |
| 30 15419080 | KRAFTAKSEL L= 610MM | PTO SHAFT | GELENKWELLE |
| 30 15419101 | NÅLELEJEKRYDS 104 | UNIV. JOINT W/BEARINGS | KREUZGARNTUR |
| 30 15419104 | GAFFEL M/SNAPLÅS 104 | YOKE W/SNAP LOCK | GABEL M. SCHNAPPSCHLOSS |



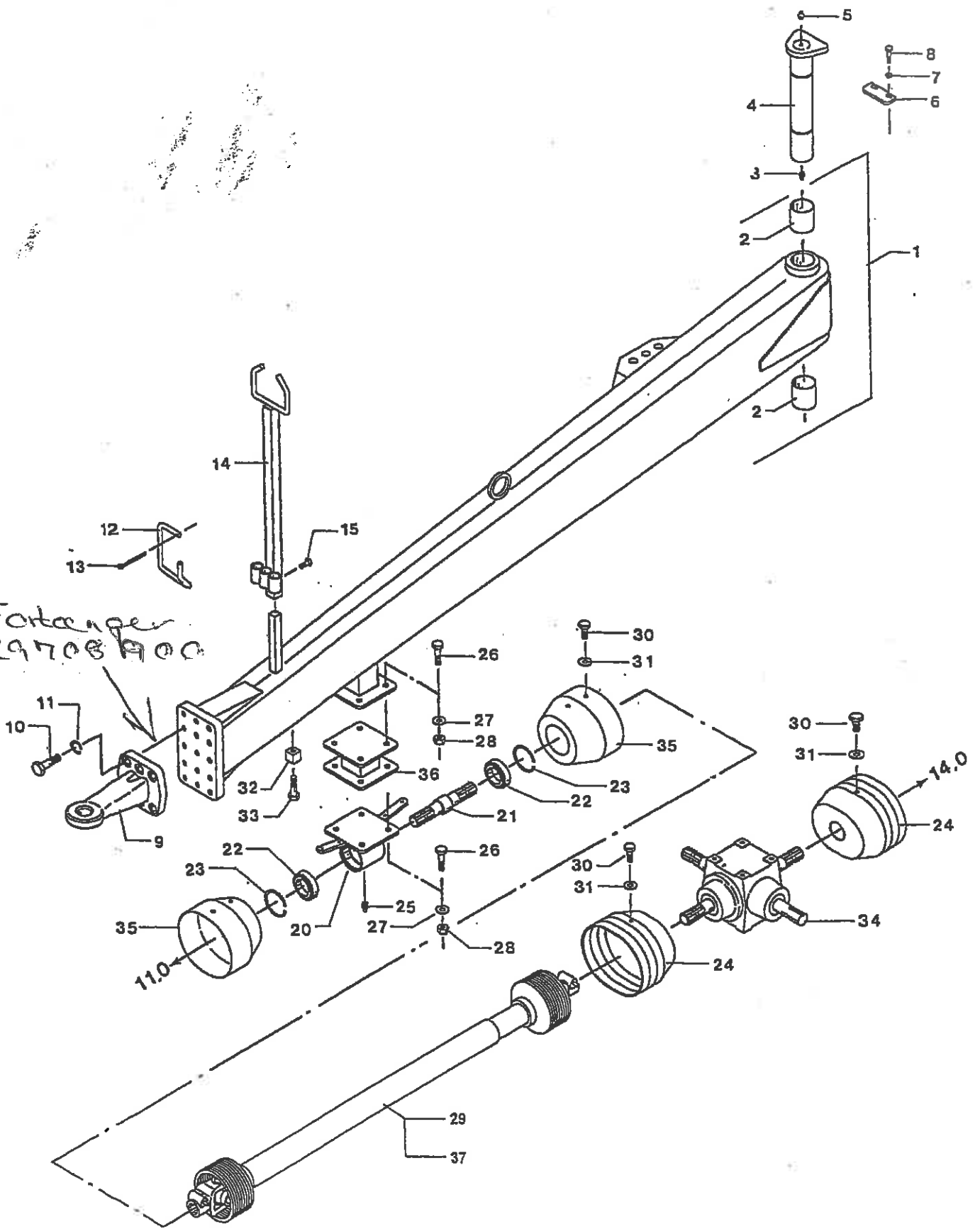
Kuglekobling



Roeoptager

| Pos | Bestil nr. | Benævnelse | Description | Bezeichnung | Bemærkning |
|-----|------------|----------------------------|-------------------------|----------------------------|------------|
| 1 | 88702700 | Trækstang for kuglekobling | Drawbar f. ballcoupling | Dreichsel f. kupplungskopf | |
| 2 | 803078 | Kuglekobling | Ball cup | Kupplungskopf | |
| 3 | 1905598 | Unbrakoskrue | Unbrako screw | Unbrakoschraube | MC20x70 |

Fortænger
29708 AOC

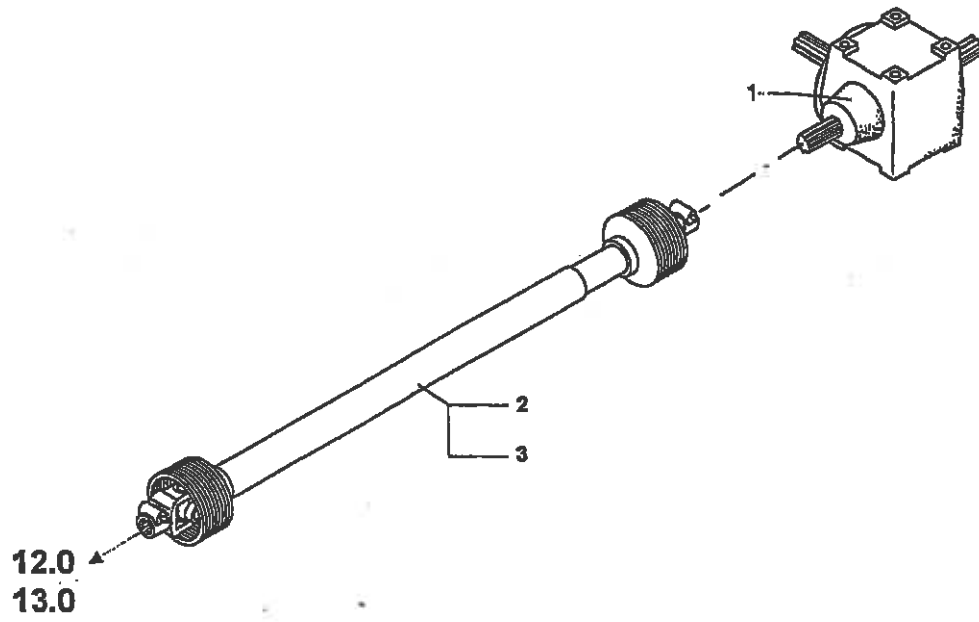


Stjært - D - + drev 1

Drawbar - D - + drive 1

Deichsel - D - + Antrib 1

| Stjært - D - + drev 1 | Drawbar - D - + drive 1 | Deichsel - D - + Antrib 1 |
|-----------------------|------------------------------------|---------------------------|
| 1 477134 | STJERT KPL. F. 60 MM NAGLE - D | DREHSEL KPL. - D |
| 2 16000395 | GLIDELEJE M/TEFLON 60 X 65 X 70 MM | GLEITLAGER M/TEFLON |
| 3 13828300 | SMØRENIPPPEL 90. GR. MF8 X 1 MM | SCHMIERNIPPPEL |
| 4 475087 | NAGLE F. STJERT Ø60 X 375 MM | NAGEL F/DEICHSEL |
| 5 13841000 | SMØRENIPPPEL LIGE MF8 X 1 MM | SCHMIERNIPPPEL GERADE |
| 6 492021 | SPANDEBESLAG FL. 40 X 8 X 100 MM | SPANNBESCHLAG |
| 7 14462600 | CENTERFJEDERSKIVE M10 | FEDERSCHEIBE |
| 8 14087400 | SETS KRUE GROV M10 X 20 MM | SETZSCHRAUBE |
| 9 477199 | TREKØJE | ZUGOESE |
| 10 14266110 | UNBRACO MC 20 X 45 MM DIN912-12.9 | UNBRACOSCHRAUBE |
| 10 | 14266110:TILSPENDINGSMOMENT:732 NM | 14266110: ZUSPANN.732NM |
| 11 14456100 | SIKRINGSKIVE 20.0 MM INDV. | FEDERENDE UNTERL.SCHEIBE |
| 12 741050 | OPHÆNGSBØJLE F. KRAFTAKSEL | AUFH.-BÜGEL F/GELENKWE. |
| 13 14525100 | JERNSPLIT Ø4 X 25 MM | EISENSPLINT |
| 14 491466 | OPSTANDER FOR KABELTREK | STÄNDER F/KABELSTEUER. |
| 15 14159700 | TAPSETSKRUE GROV M10 X 20 MM | ZAPFSETZSCHRAUBE |
| 20 491454 | LEJEHUS MED KRAVE | LAGEGEHÄUSE M/KRAGEN |
| 21 492907 | AKSEL Ø45 X 240 MM - 2 X 1 3/8" | WELLE |
| 22 15113500 | SPORRUGLELEJE ENREK. 6307-RS | SPURKUGELLAGER 1-REIH. |
| 23 14686600 | SEEGERRING INDV. Ø80 MM | SICHERUNGSPRING |
| 24 15489000 | BESKYTTELSESTRAGT | SCHUTZTRICHTER |
| 25 13841000 | SMØRENIPPPEL LIGE MF8 X 1 MM | SCHMIERNIPPPEL GERADE |
| 26 14089800 | SETS KRUE GROV M12 X 35 MM | SETZSCHRAUBE |
| 27 14453000 | SVER SKIVE 1/2" | SCHNEIBE |
| 28 14430700 | LÅSEMØTRIK M12 | GEGENMUTTER |
| 29 | WALTERSCHEID PTO-AKSLER | WALTERSCHEID GELENKWELL |
| 29 15402008 | KRAFTAKSEL L=860 | GELENKWELLE |
| 29 15443600 | GAFFEL M/SNAPLÅS 1 3/8"-W2300 | GABEL M/SCHNAPPSCHLOSS |
| 29 15481800 | NÅLELEJEKRYDS W2300-210000 | KREUZGARNITUR |
| 30 14085300 | SETS KRUE GROV M8 X 16 MM | SETZSCHRAUBE |
| 31 14480200 | SPEC. SKIVE 25 X 8.5 X 2.0 MM | SPEZIALSCHEIBE |
| 32 12643600 | KLAMME Ø12 X 15 MM | KLEMMBACKE |
| 33 14295400 | JERNTRÆSKRUE NR 5 X 32 MM | EISENHOLZSCHRAUBE |
| 34 | SIDE 65.0 | SEITE 65.0 |
| 35 15489101 | BESKYTTELSTRAGT | SCHUTZTRICHTER |
| 36 494933 | MELLEMSTYKKE FOR LEJEHUS | ZWISCHENSTUECK F/GEHÄU. |
| 37 | BONDIOLI PTO-AKSLER | BONDIOLI GELENKWELLEN |
| 37 15419090 | KRAFTAKSEL L= 860MM | GELENKWELLE |
| 37 15419101 | NÅLELEJEKRYDS 104 | KREUZGARNITUR |
| 37 15419104 | GAFFEL M/SNAPLÅS 104 | GABEL M. SCHNAPPSCHLOSS |
| 37 15419095 | GAFFEL M/SNAPLÅS 104 Z=8 | GABEL M. SCHNAPPSCHLOSS |



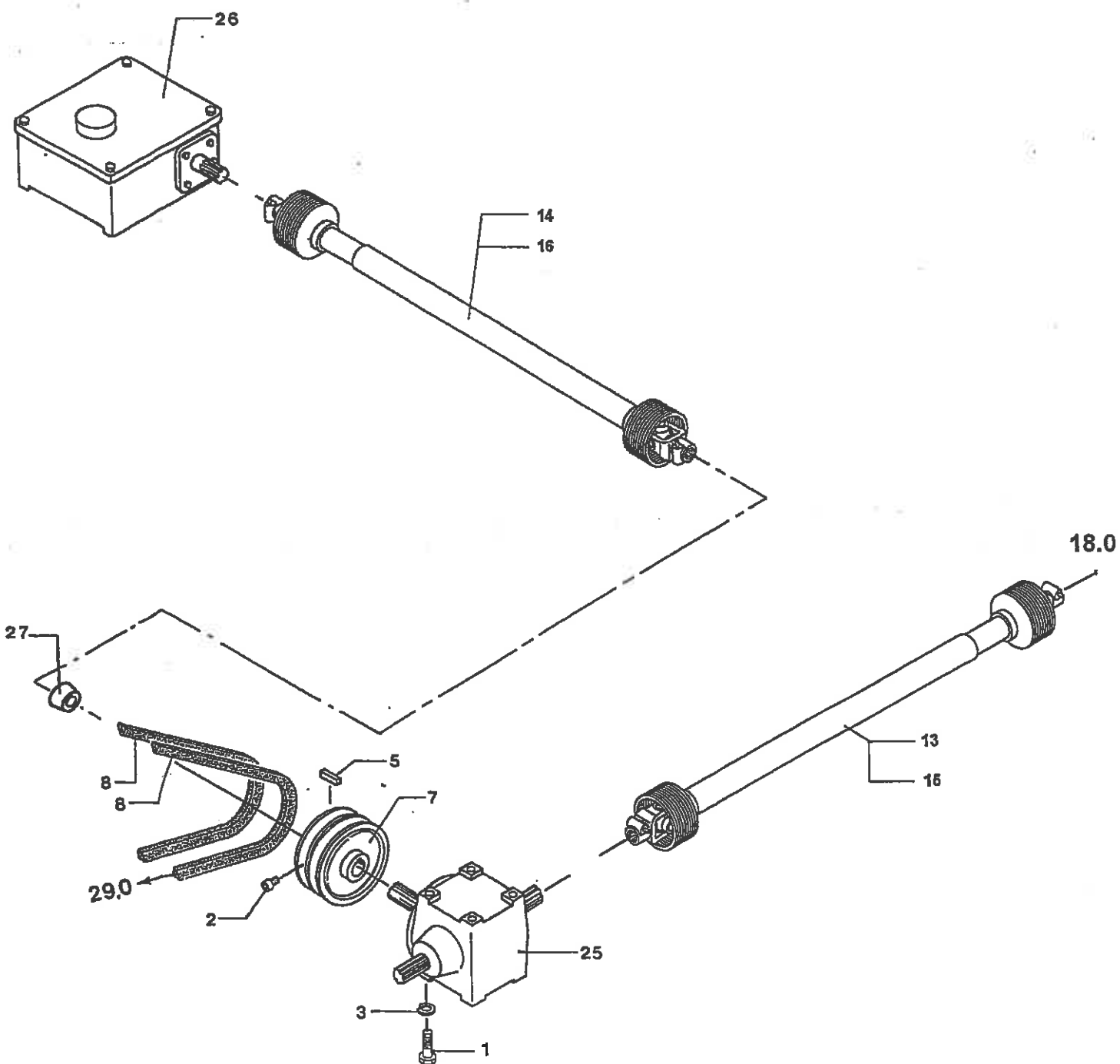
MIISA-TE120 / KRB/S-212 RESERVEDELSLISTE MED TILBEHØR
 MIISA-TE120 / KRB/S-212 SPARE PARTS LIST WITH ACCESSORIES
 MIISA-TE120 / KRB/S-212 ERSATZTEILLISTE MIT ZUBEHOER

Drev 2

Drive 2

Antrieb 2

| | SIDE 63.0 | PAGE 63.0 | SEITE 63.0 |
|------------|-------------------------------|-------------------------|-------------------------|
| 1 | WALTERSCHEID PTO-AKSLER | WALTERSCHEID PTO SHAFTS | WALTERSCHEID GELENKWELL |
| 2 | KRAFTAKSEL L=1460 | PTO SHAFT | GELENKWELLE |
| 2 15404614 | AGRASET HURTIKLÅS KPL. | AGRASET QUICK LOCK CPL | AGRASET SCHNELLSCHLOSS |
| 2 15479005 | AGRASET F. PALKOBLING | REP. KIT F/PAWL COUPL. | REP.-SATZ F/KLINKKUPPL. |
| 2 504002 | NÅLELEJEKRYDS W2300-210000 | UNIV. JOINT W/BEARINGS | KREUZGARNITUR |
| 2 15481800 | GAFFEL M/SNAPLÅS 1 3/8"-W2300 | YOKE W/SNAP LOCK | GABEL M/SCHNAPPSCHLOSS |
| 2 15443600 | GAFFEL G2300-3/8" U/S. | YOKE | GABEL |
| 2 15443679 | KOBLING 1 3/8"K34-W2300 | CLUTCH | KUPPLUNG |
| 2 15439255 | BONDIOLI PTO-AKSLER | BONDIOLI PTO SHAFTS | BONDIOLI GELENKWELLEN |
| 3 | KRAFTAKSEL L=1460MM | PTO SHAFT | GELENKWELLE |
| 3 15419110 | NÅLELEJEKRYDS 104 | UNIV. JOINT W/BEARINGS | KREUZGARNITUR |
| 3 15419101 | GAFFEL M/SNAPLÅS 104 | YOKE W/SNAP LOCK | GABEL M. SCHNAPPSCHLOSS |
| 3 15419104 | PALKOBLING SA3 | PAWL COUPLING | KLINKENAPPARAT |
| 3 15419077 | AGRASET F/PALKOBLING 103 | AGRASET F/COUPLING | AGRASET F/KLINKKUPPL. |
| 3 15419049 | | | |

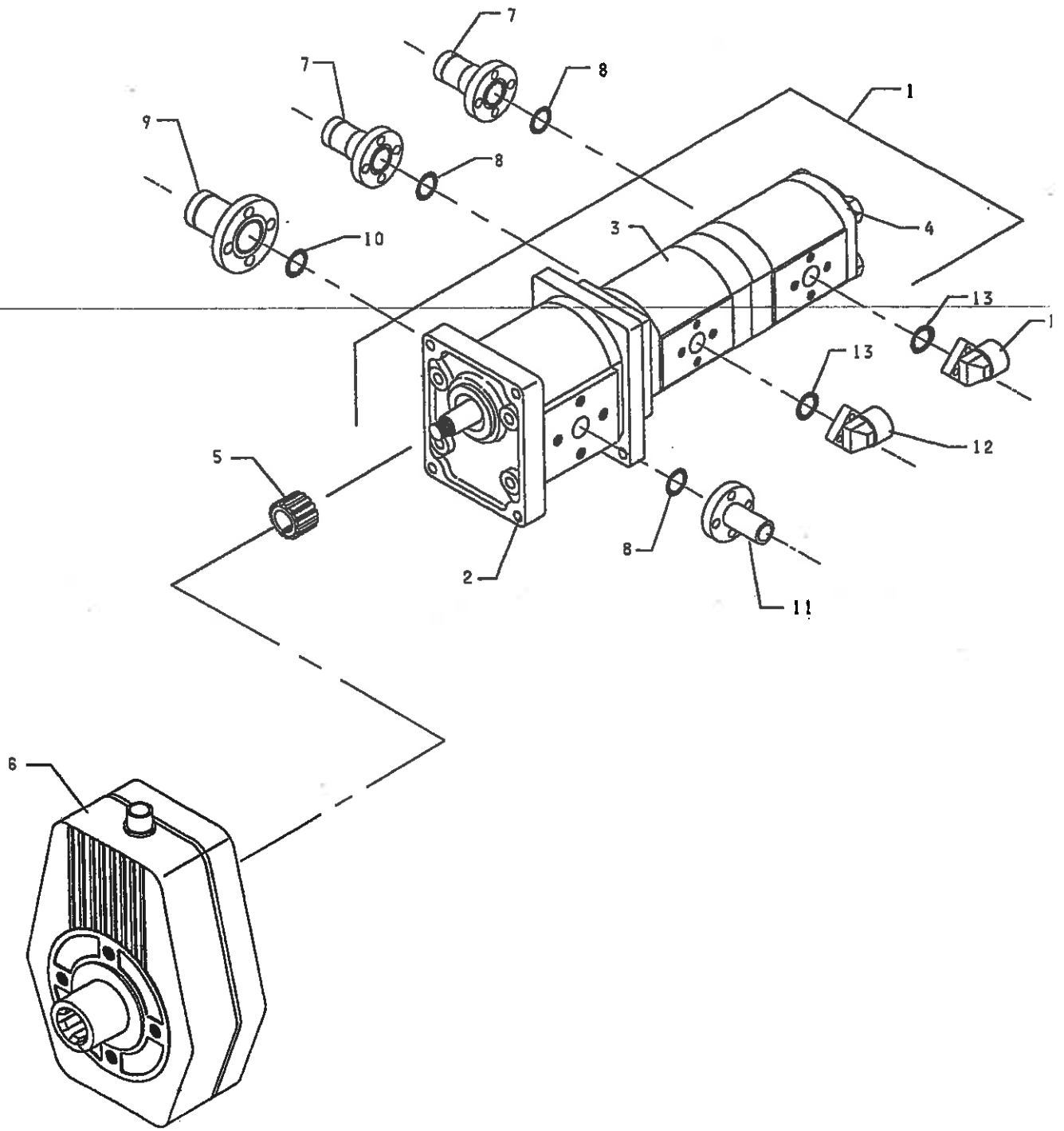


Drev, forreste grenhjul

Drive, front spider

Antrieb, Vorderes Siebrad

| | | | |
|-------------|----------------------------------|-------------------------|--------------------------|
| 1 14089700 | SETSKRUE GROV M12 X 30 MM | SET SCREW | SETZSCHRAUBE |
| 2 14256600 | UNBRACO MC 8 X 20 MM | UNBRACO SCREW | UNBRACOSCHRAUBE |
| 3 14462700 | CENTERFJEDERSKIVE M12 | SPRING WASHER | FEDERSCHEIBE |
| 5 14607400 | PASFEDER 8 X 7 X 32 MM | KEY | PASSFEDER |
| 7 15244535 | KILEREMSKIVE 2C 150 Ø35 N8 STØBE | V-BELT PULLEY, CAST | KEILRIEMENSCHLEIBE, GUSS |
| 8 15263150 | KILEREM C100 (22 X 2550 MM) | V-BELT | KEILRIEMEN |
| 13 | WALTERSCHEID PTO-AKSLER | WALTERSCHEID PTO SHAFTS | WALTERSCHEID GELENKWELL |
| 13 15401302 | KRAFTAKSEL L=265 | PTO SHAFT | GELENKWELLE |
| 13 15443600 | GAFFEL M/SNAPLÅS 1 3/8"-W2300 | YOKE W/SNAP LOCK | GABEL M/SCHNAPPSCHLOSS |
| 13 15481800 | NÅLELEJEKRYDS W2300-210000 | UNIV. JOINT W/BEARINGS | KREUZGARNITUR |
| 14 15401303 | KRAFTAKSEL L=360 | PTO SHAFT | GELENKWELLE |
| 14 15443600 | GAFFEL M/SNAPLÅS 1 3/8"-W2300 | YOKE W/SNAP LOCK | GABEL M/SCHNAPPSCHLOSS |
| 14 15481800 | NÅLELEJEKRYDS W2300-210000 | UNIV. JOINT W/BEARINGS | KREUZGARNITUR |
| 15 | BONDIOLI PTO-AKSLER | BONDIOLI PTO SHAFTS | BONDIOLI GELENKWELLEN |
| 15 15419050 | KRAFTAKSEL L= 260MM | PTO SHAFT | GELENKWELLE |
| 15 15419101 | NÅLELEJEKRYDS 104 | UNIV. JOINT W/BEARINGS | KREUZGARNITUR |
| 15 15419104 | GAFFEL M/SNAPLÅS 104 | YOKE W/SNAP LOCK | GABEL M. SCHNAPPSCHLOSS |
| 16 15419060 | KRAFTAKSEL L= 360MM | PTO SHAFT | GELENKWELLE |
| 16 15419101 | NÅLELEJEKRYDS 104 | UNIV. JOINT W/BEARINGS | KREUZGARNITUR |
| 16 15419104 | GAFFEL M/SNAPLÅS 104 | YOKE W/SNAP LOCK | GABEL M. SCHNAPPSCHLOSS |
| 17 15443600 | GAFFEL M/SNAPLÅS 1 3/8"-W2300 | YOKE W/SNAP LOCK | GABEL M/SCHNAPPSCHLOSS |
| 22 15481800 | NÅLELEJEKRYDS W2300-210000 | UNIV. JOINT W/BEARINGS | KREUZGARNITUR |
| 25 | SIDE 63.0 | PAGE 63.0 | SEITE 63.0 |
| 26 | SIDE 17.0 | PAGE 17.0 | SEITE 17.0 |
| 27 15228635 | KLEMBØSNING 2517 X Ø35 - N=8 MM | SPLIT BUSHING | KLEMMBUCHSE |



MIISA-TE120 / KRB/S-212 RESERVEDELSLISTE MED TILBEHØR
 MIISA-TE120 / KRB/S-212 SPARE PARTS LIST WITH ACCESSORIES
 MIISA-TE120 / KRB/S-212 ERSATZTEILLISTE MIT ZUBEHOER

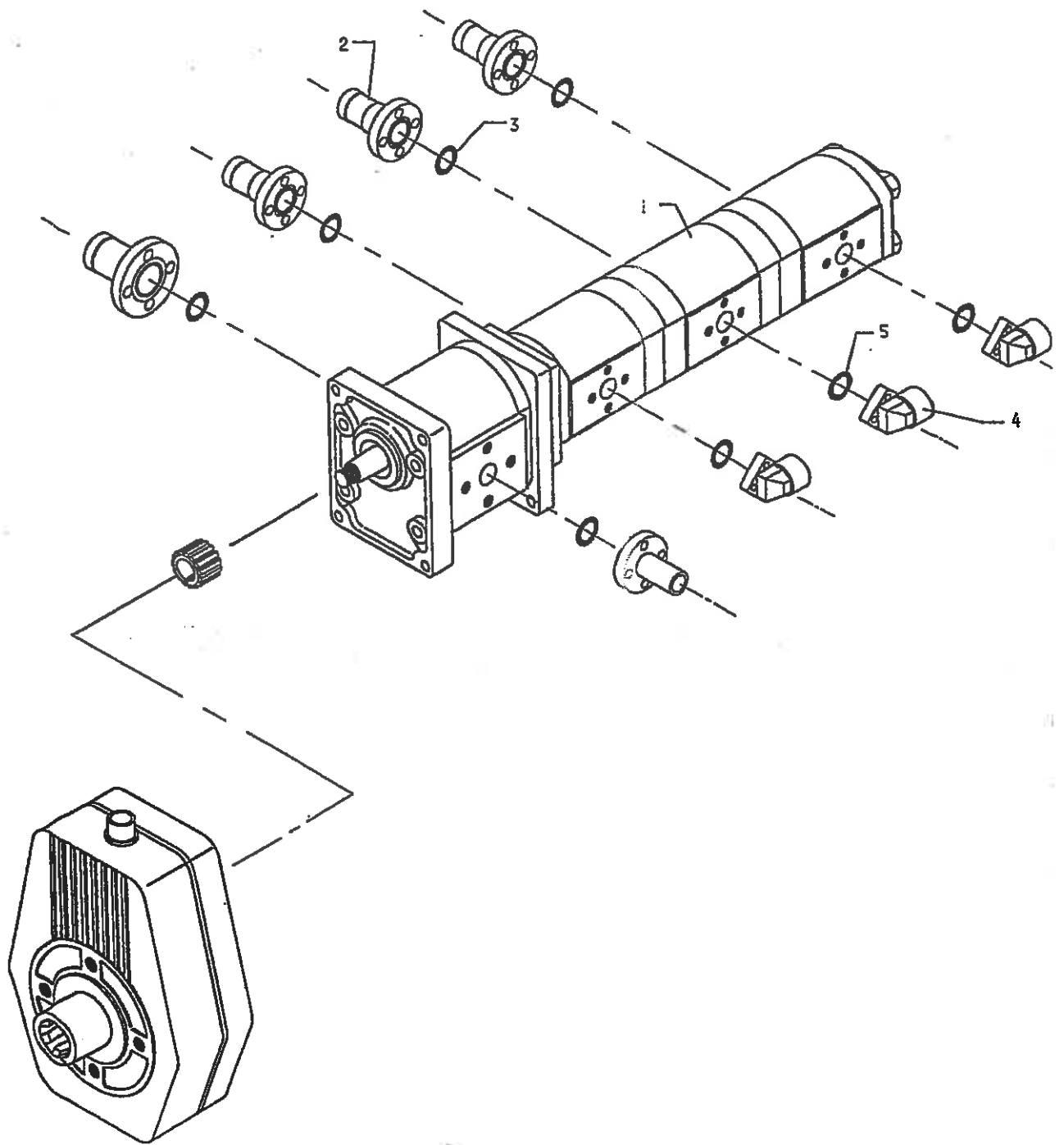
Gear + pumper

Gear + pumps

Getriebe + Pumpen

13714614

| | | | |
|-----------------------|------------------------------------|-------------------------|-------------------------|
| 1 13714530 | PUMPESET GP3D42-2D17-2D17 | PUMP KIT | PUMPSATZ |
| 2 13712643 | FORR. TANDHJULSPUMPE GP3D42 | FRONT GEAR PUMP | VORD. ZAHNRADPUMPE |
| 3 13712565 | MIDT. TANDHJULSPUMPE GP2D17 | MIDDLE GEAR PUMP | MITTLERE ZAHNRADPUMPE |
| 4 13712567 | BAG. TANDHJULSPUMPE GP2D17 | REAR GEAR PUMP | HINT. ZAHNRADPUMPE |
| 5 13776001 | MANGENOTSBØSNING Ø34.5/Ø19 X 26 MM | SPLINE BUSH | ANSCHLUSSBUCHSE |
| 6 13776020 | SPEED-UP GEAR | SPEED-UP GEAR | BESCHLEUNIGUNGSGETRIEBE |
| 7 477088 | FLANGE Ø27 MM (Ø54 X 60 MM) | FLANGE | FLANSCH |
| 8 13313523 | O-RING Ø23.52 X 1.78 MM | O-RING | O-RING |
| 9 478193 | PUMPESTUDS SUG Ø34 | PUMP CONNECTOR, SUCTION | PUMPSTUTZEN, SAUG |
| 10 13314300 | O-RING 31.20 X 3.00 MM | O-RING | O-RING |
| 11 478192 | PUMPESTUDS UDV. Ø22 | PUMP CONNECTOR, OUTER | PUMPSTUTZEN, AUSW. |
| 12 13717309 | VINKEFLANGE 1/2" | RIGHT-ANGLE FLANGE | WINKELFLANSCH |
| 13 13311501 | O-RING Ø15.88 X 2.62 MM | O-RING | O-RING |



MIISA-TE120 / KRB/S-212 RESERVEDELSLISTE MED TILBEHØR
MIISA-TE120 / KRB/S-212 SPARE PARTS LIST WITH ACCESSORIES
MIISA-TE120 / KRB/S-212 ERSATZTEILLISTE MIT ZUBEHOER

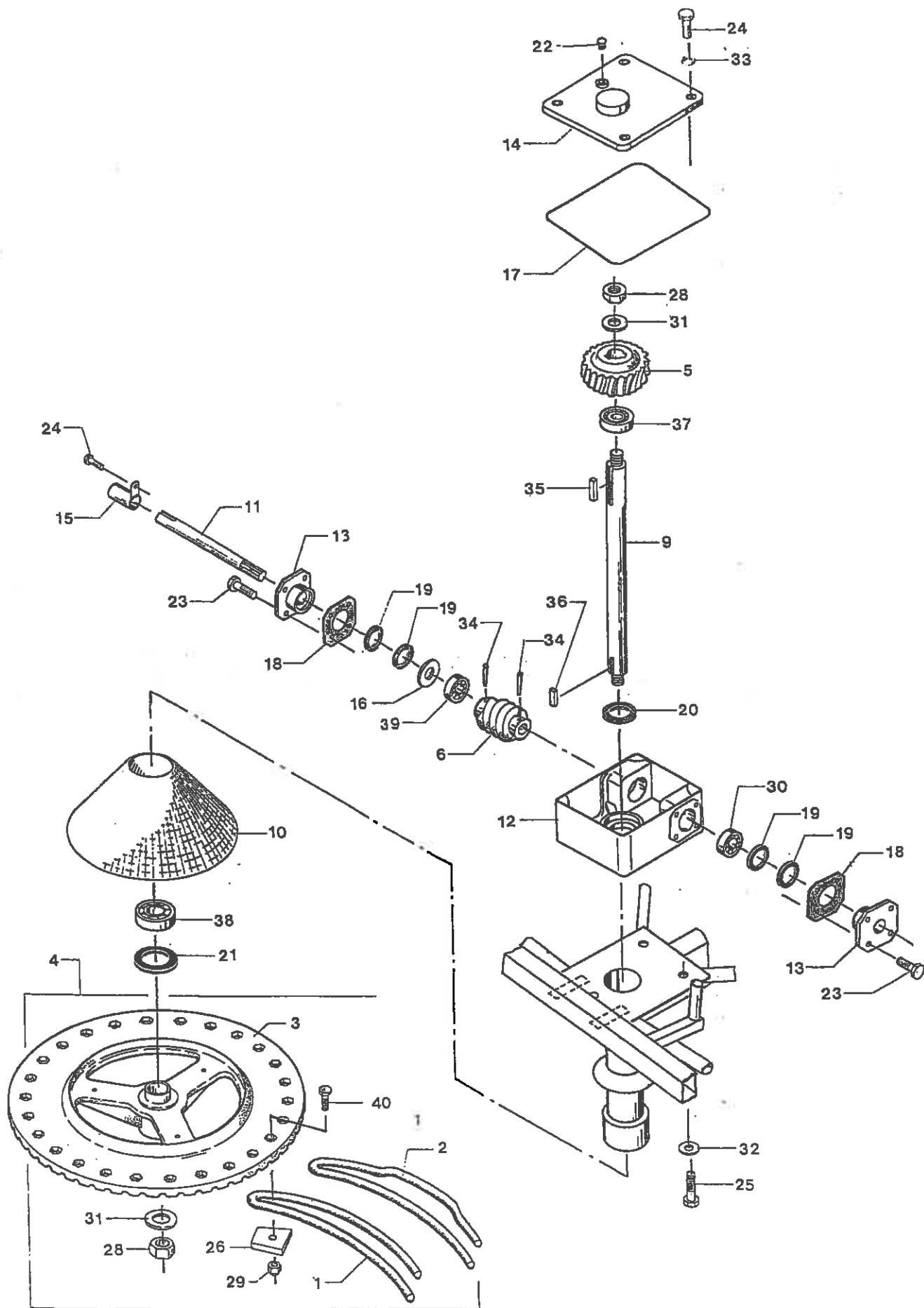
Pumpe for egen olieforsyning 9

Pump internal oil system 98

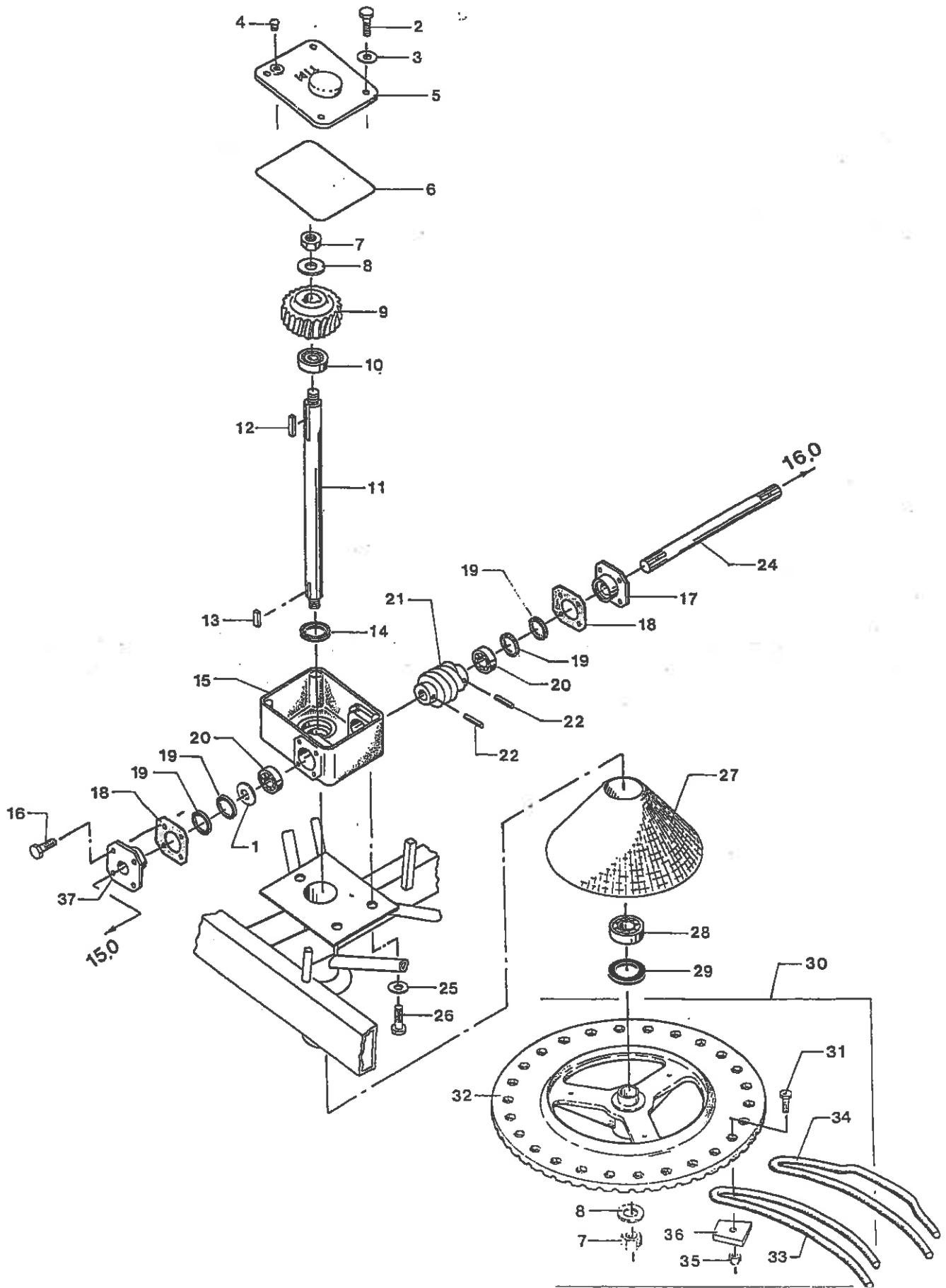
Pump f/Eigene Ölversorgung

13714613

| | | | |
|-----------------------|------------------------------|--------------------|----------------------|
| 1 13714613 | INDBYG. TANDHJ.PUMPE GP-2D26 | BUILT-IN GEAR PUMP | EINGEB. ZAHNRADPUMPE |
| 2 477088 | FLANGE Ø27 MM (Ø54 X 60 MM) | FLANGE | FLANSCH |
| 3 13313523 | O-RING Ø23.52 X 1.78 MM | O-RING | O-RING |
| 4 478191 | STUDS | BRANCH | STÜTZEN |
| 5 13311501 | O-RING Ø15.88 X 2.62 MM | O-RING | O-RING |



| | Forreste grenhjul | Front spider | Vorderes Siebrad |
|----|-------------------|-------------------------------------|--------------------------|
| 1 | 432768 | DOBBELT LEDGREN Ø19 X 1000 MM | DOUBLE TINE |
| 2 | 477426 | DOBBELT MEDBRINGERGREN Ø19 X 970 MM | DOUBLE CRANK TINE |
| 3 | 419220 | GRENHJULSPLADE M/NAV | SPIDER PLATE W/HUB |
| 4 | 477472 | GRENHJUL KPL.Ø19 9/477426 17/432768 | SPIDER CPL. |
| 5 | 470402 | SNEKKEHJUL 3-LØBET HØJRE Ø43 HUL | WORM WHEEL 3-THR. RH |
| 6 | 470469 | SNEKKE 3-LØBET HØJRE Ø35 UDB. | WORM 3-THR. RH |
| 9 | 491140 | GEARKASSEAKSEL Ø40 X 632 MM | GEAR SHAFT |
| 10 | 491186 | SE 15-40402 | SEE 15-40402 |
| 11 | 477163 | SNEKKEAKSEL F. PASF. Ø35 X 385 MM | WORM SHAFT |
| 12 | 492904 | GEARKASSEHUS STOR | GEARBOX HOUSING BIG |
| 12 | 12345225 | GEAROLIE SHELL OMALA 800, 2,5 LITER | GEAR OIL |
| 12 | 12345250 | GEAROLIE SHELL OMALA 800, 5 LITER | GEAR OIL |
| 13 | 492905 | ÅBENT ENDESTYKKE F/GEARKASSE (ALM.) | GEARB.END PIECE (R.DR.) |
| 14 | 611201 | GEARKASSELÅG | GEARBOX COVER |
| 15 | 700006 | BESKYTTELSESRØR | GUARD PIPE |
| 16 | 14481910 | SPEC. SKIVE 78 X 60 X 1 MM | SPECIAL WASHER |
| 17 | 13225000 | PAKNING F/GEARKASSELÅG 210 X 256 MM | SEAL F/GEARBOX COVER |
| 18 | 13251500 | PAPIRSPAKNING | PAPER SEAL |
| 19 | 13328000 | SIMMERRING 35 X 62 X 10 MM DOBB. | OIL SEAL |
| 20 | 13330000 | SIMMERRING 40 X 60 X 10 MM DOBB.LE. | OIL SEAL |
| 21 | 13332502 | SIMMERRING 50 X 80 10 MM | OIL SEAL |
| 22 | 13440197 | UDLUFNINGSDYSE | OILBREATHER PIPE |
| 23 | 14087500 | SETS KRUE GROV M10 X 25 MM | SET SCREW |
| 24 | 14087600 | SETS KRUE GROV M10 X 30 MM | SET SCREW |
| 25 | 14089600 | SETS KRUE GROV M12 X 25 MM | SET SCREW |
| 26 | 432764 | SPENDEPLADE | CLAMP PLATE |
| 27 | 14392010 | SPEC. BOLT SORT MF10 X 1 X 41 MM | SPEC. BOLT |
| 28 | 14406110 | MØTRIK WG 1" | NUT |
| 29 | 14431000 | LÅSEMØTRIK M16 | LOCK NUT |
| 30 | 15125800 | VINKELKONTAKTLEJE ENREK. 7307 | RIGHT-ANGLE BEARING 1-R. |
| 31 | 14453500 | SVÆR SKIVE 1" | WASHER |
| 32 | 14462700 | CENTERFJEDERSKIVE M12 | SPRING WASHER |
| 33 | 14470500 | KOBBERSKIVE 21 X 10,5 X 1,25MM | COPPER WASHER |
| 34 | 14581800 | RØRSPENDESTIFT Ø13 X 55 MM | DOWEL |
| 35 | 14611500 | PASFEDER 10 X 10 X 47 MM | KEY |
| 36 | 14617900 | DRIVKILE 10 X 10 X 90 MM | LAUNCHING WEDGE |
| 37 | 15112200 | SPORKUGLELEJE ENREK. 6208 | STEP BALL BEARING 1-R. |
| 38 | 15112400 | SPORKUGLELEJE ENREK. 6208-2RS | STEP BALL BEARING 1-R. |
| 39 | 15113100 | SPORKUGLELEJE ENREK. 6307 | STEP BALL BEARING 1-R. |
| 40 | 14092600 | SETS KRUE GROV M16 X 60 MM | SET SCREW |
| | | | DOPPELE ZINKE |
| | | | DOPPELE MITNEHMERZINKE |
| | | | SIEBRADPLATTE M/NABE |
| | | | SIEBRAD KPL. |
| | | | SCHNECKENRAD 3-GEW. R. |
| | | | SCHNECKE 3-GEW. R. |
| | | | GETRIEBEWELLE |
| | | | SIEHE 15-40402 |
| | | | SCHNECKENWELLE |
| | | | GETRIEBEGEHÄUSE GROSS |
| | | | GETRIEBEOEL |
| | | | GETRIEBEOEL |
| | | | ENDST.F/GETRIEBE (HUBR.) |
| | | | DECKEL F/GETRIEBE |
| | | | SCHUTZROHR |
| | | | SPEZIALSCHEIBE |
| | | | DICHTUNG F/GETR.-DECKEL |
| | | | PAPIERDICHTUNG |
| | | | OELFANGRING |
| | | | OELFANGRING |
| | | | OELFANGRING |
| | | | ENTLÜFTUNG |
| | | | SETZSCHRAUBE |
| | | | SETZSCHRAUBE |
| | | | SETZSCHRAUBE |
| | | | SPANNPLATTE |
| | | | SPEZ. BOLZEN |
| | | | MUTTER |
| | | | GEGENMUTTER |
| | | | WINKELKONTAKTLAGER 1-R. |
| | | | SCHEIBE |
| | | | FEDERSCHEIBE |
| | | | KUPPERSCHEIBE |
| | | | ROHRSPANNSTIFT |
| | | | PASSFEDER |
| | | | TRIEBKEIL |
| | | | SPURKUGELLAGER 1-REIH. |
| | | | SPURKUGELLAGER 1-REIH. |
| | | | SPURKUGELLAGER 1-REIH. |
| | | | SETZSCHRAUBE |

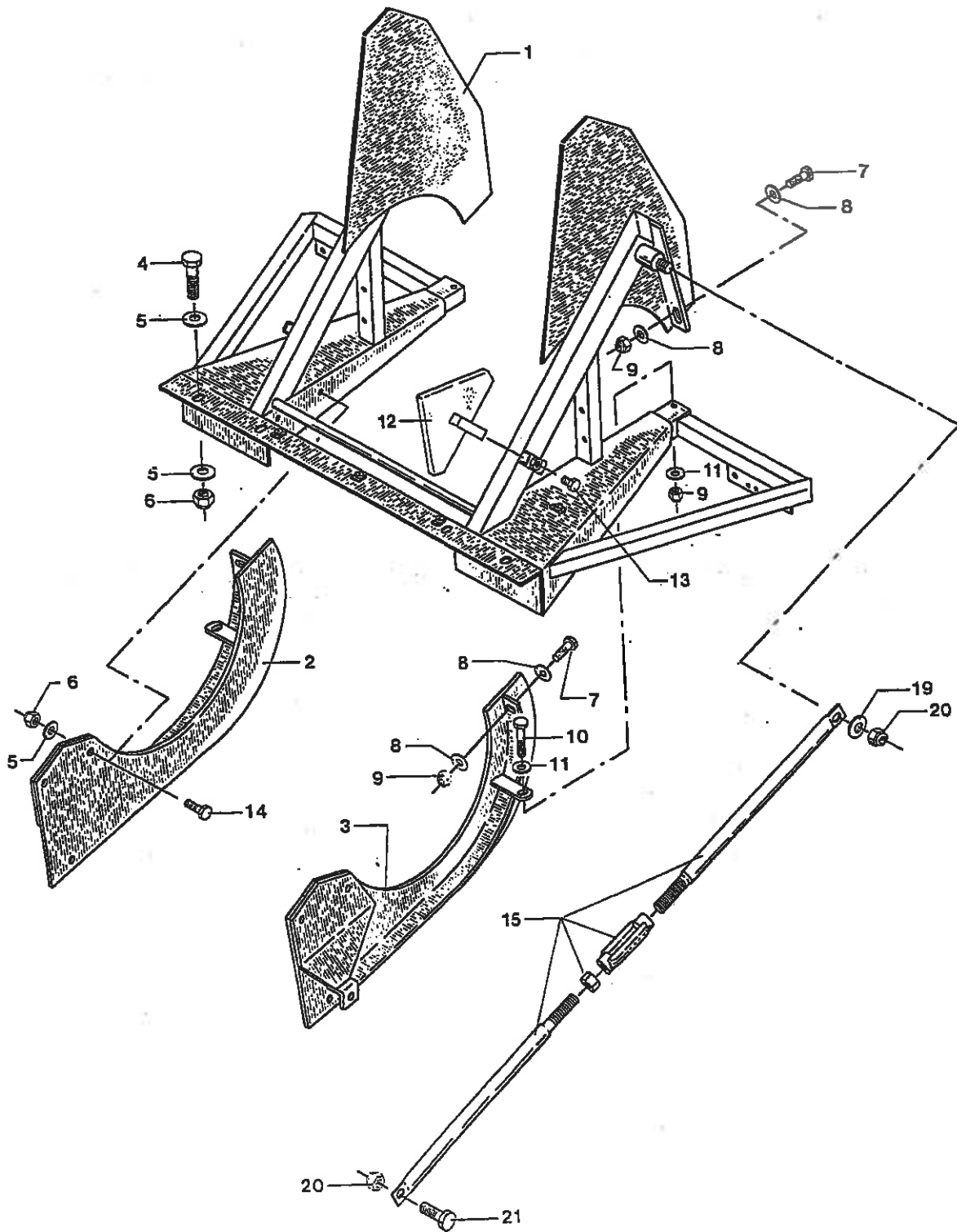


Bageste grenhjul

Rear spider

Hinteres Siebrad

| | | | |
|-------------|-------------------------------------|------------------------|-------------------------|
| 1 14481910 | SPEC. SKIVE 78 X 60 X 1 MM | SPECIAL WASHER | SPEZIALSCHEIBE |
| 2 14087600 | SÆTSKRUE GROV M10 X 30 MM | SET SCREW | SETZSCHRAUBE |
| 3 14470500 | KOBBERSKIVE 21 X 10,5 X 1,25MM | COPPER WASHER | KUPFERSCHEIBE |
| 4 13440197 | UDLUFTNINGSDYSE | OILBREATHER PIPE | ENTLUFTUNG |
| 5 611201 | GEARKASSELÅG | GEARBOX COVER | DECKEL F/GETRIEBE |
| 6 13225000 | PAKNING F/GEARKASSELÅG 210 X 256 MM | SEAL F/GEARBOX COVER | DICHTUNG F/GETR.-DECKEL |
| 7 14406110 | MØTRIK NG 1" | NUT | MUTTER |
| 8 14453500 | SVÆR SKIVE 1" | WASHER | SCHWEIBE |
| 9 471392 | SNEKKERJUL 2-LØBET HØJRE | WORM WHEEL 2 THREAD RH | SCHNECKENRAD 2-GEW. R. |
| 10 15112200 | SPORKUGLELEJE ENRÆK. 6208 | STEP BALL BEARING 1-R. | SPURKUGELLAGER 1-REIH. |
| 11 411226 | GEARKASSEAKSEL Ø40 X 695 MM | GEAR SHAFT | GETRIEBEWELLE |
| 12 14611500 | PASSFEDER 10 X 10 X 47 MM | KEY | PASSFEDER |
| 13 14617900 | DRIVKILE 10 X 10 X 90 MM | LAUNCHING WEDGE | TRIEBKEIL |
| 14 13330000 | SIMMERRING 40 X 60 X 10 MM DOBB.LE. | OIL SEAL | OELFANGRING |
| 15 492904 | GEARKASSEHUS STOR | GEARBOX HOUSING BIG | GETRIEBEGEHÄUSE GROSS |
| 15 12345225 | GEAROLIE SHELL OMALA 800, 2,5 LITER | GEAR OIL | GETRIEBEOEL |
| 15 12345250 | GEAROLIE SHELL OMALA 800, 5 LITER | GEAR OIL | GETRIEBEOEL |
| 16 14087500 | SÆTSKRUE GROV M10 X 25 MM | SET SCREW | SETZSCHRAUBE |
| 17 445368 | ENDESTYKKE F/GEARKASSE | END PIECE F GEAR | ENDSTÜCK F/GETRIEBE |
| 18 13251500 | PAPIRSPAKNING | PAPER SEAL | PAPIERDICHTUNG |
| 19 13329400 | SIMMERRING 40 X 62 X 7 MM | OIL SEAL | OELFANGRING |
| 20 15112200 | SPORKUGLELEJE ENRÆK. 6208 | STEP BALL BEARING 1-R. | SPURKUGELLAGER 1-REIH. |
| 21 445350 | SNEKKE 2-LØBET HØJRE | WORM 2-THR.RH | SCHNECKE 2-GEW. R. |
| 22 14581800 | RØRSPENDESTIFT Ø13 X 55 MM | DOWEL | ROHRSPANNSTIFT |
| 24 445360 | SNEKKEAKSEL Ø40X380 | WORM SHAFT | SCHNECKENWELLE |
| 25 14462700 | CENTERFJEDERSKIVE M12 | SPRING WASHER | FEDERSCHWEIBE |
| 26 14089600 | SÆTSKRUE GROV M12 X 25 MM | SET SCREW | SETZSCHRAUBE |
| 27 491186 | SE 15-40402 | SEE 15-40402 | SIEHE 15-40402 |
| 28 15112400 | SPORKUGLELEJE ENRÆK. 6208-2RS | STEP BALL BEARING 1-R. | SPURKUGELLAGER 1-REIH. |
| 29 13332502 | SIMMERRING 50 X 80 10 MM | OIL SEAL | OELFANGRING |
| 30 477472 | GRENHJUL KPL.Ø19 9/477426 17/432768 | SPIDER CPL. | SIEBRAD KPL. |
| 31 14092600 | SÆTSKRUE GROV M16 X 60 MM | SET SCREW | SETZSCHRAUBE |
| 32 419220 | GRENHJULSPLADE M/NAV | SPIDER PLATE W/HUB | SIEBRADPLATTE M/NABE |
| 33 432768 | DOBBELT LEDGREN Ø19 X 1000 MM | DOUBLE TIME | DOPPELE ZINKE |
| 34 477426 | DOBBELT MEDBRINGERGREN Ø19 X 970 MM | DOUBLE CRANK TIME | DOPPELE MITNEHMERZINKE |
| 35 14430100 | LÅSEMØTRIK M6 | LOCK NUT | GEGENMUTTER |
| 36 432764 | SPENDEPLADE | CLAMP PLATE | SPANNPLATTE |
| 37 445353 | | | |



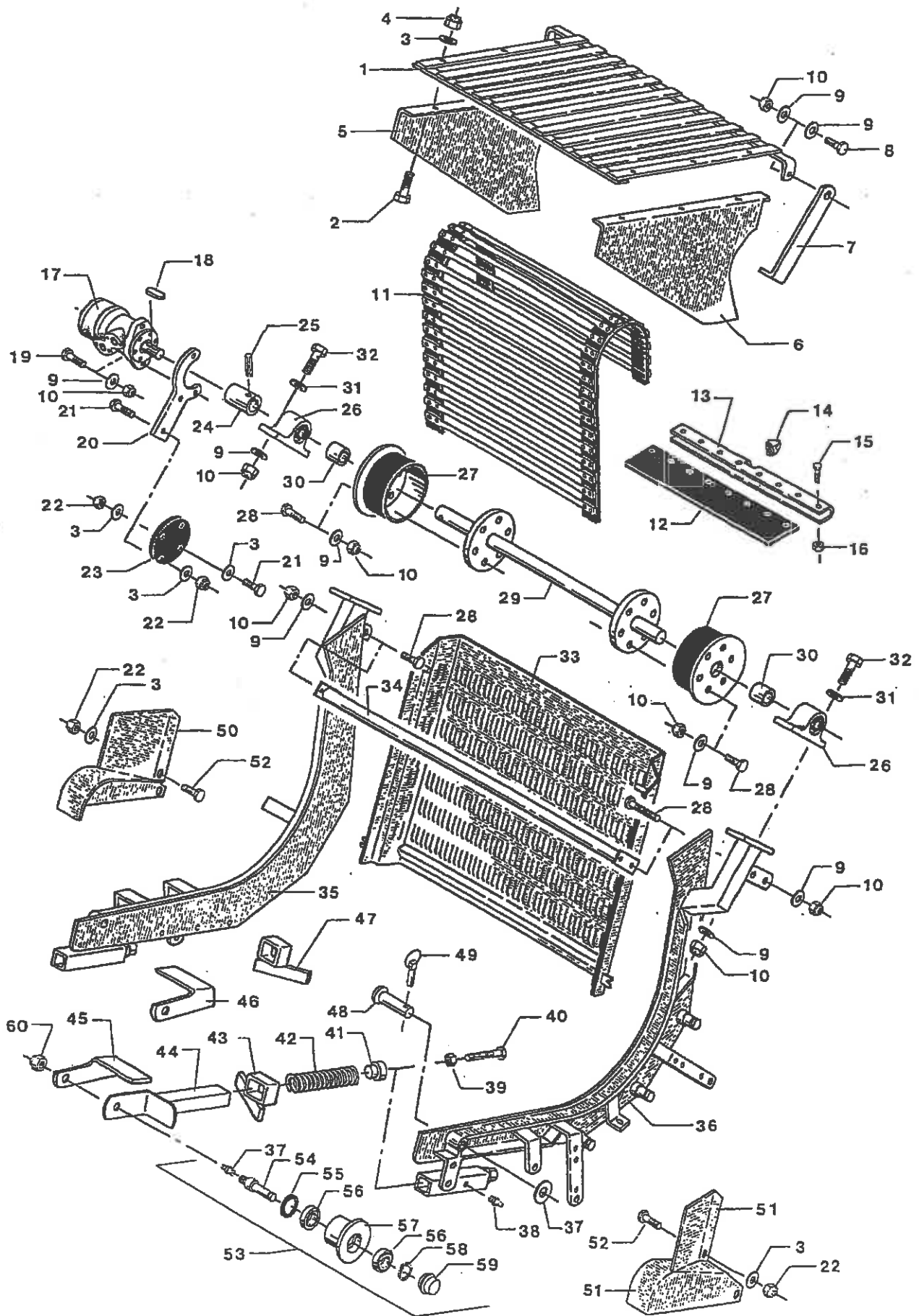
MIISA-TE120 / KRB/S-212 RESERVEDELSLISTE MED TILBEHØR
 MIISA-TE120 / KRB/S-212 SPARE PARTS LIST WITH ACCESSORIES
 MIISA-TE120 / KRB/S-212 ERSATZTEILLISTE MIT ZUBEHÖR

Fast ramme, holl. bagende

Fixed elevator frame

Fester Elevatorrahmen

| | Fast ramme, holl. bagende | Fixed elevator frame | Fester Elevatorrahmen | |
|----|---------------------------|------------------------------|-------------------------|-------------------------|
| 1 | 444661 | RAMME F. ELEVATOR | FRAME F. ELEVATOR | RAHMEN F. ELEVATOR |
| 2 | 444654 | H. NEDERSTE SIDEPLADE | RH LOW SIDE PLATE | R. UNTERE SEITENPLATTE |
| 3 | 444655 | V. NEDERSTE SIDEPLADE | LH LOW SIDE PLATE | L. UNTERE SEITENPLATTE |
| 4 | 14046800 | MASKINBOLT GROV M12 X 100 MM | BOLT | BOLZEN |
| 5 | 14440500 | SVÆR SKIVE 13 X 24 X 2.5 MM | WASHER | SCHEIBE |
| 6 | 14430700 | LÅSEMØTRIK M12 | LOCK NUT | GEGENMUTTER |
| 7 | 14087600 | SÆTSKRUE GROV M10 X 30 MM | SET SCREW | SETZSCHRAUBE |
| 8 | 14444300 | SKÆRMSKIVE 3/8" | WASHER | SCHEIBE |
| 9 | 14430500 | LÅSEMØTRIK M10 | LOCK NUT | GEGENMUTTER |
| 10 | 14044700 | MASKINBOLT GROV M10 X 75 MM | BOLT | BOLZEN |
| 11 | 14440400 | SVÆR SKIVE 10.5 X 21 X 2 MM | WASHER | SCHEIBE |
| 12 | 444672 | SKÆRMPLADE | GUARD PLATE | SCHIRMPLATTE |
| 13 | 14159700 | TAPSETSKRUE GROV M10 X 20 MM | STUD SET SCREW | ZAPFSETZSCHRAUBE |
| 14 | 14089800 | SÆTSKRUE GROV M12 X 35 MM | SET SCREW | SETZSCHRAUBE |
| 15 | 477063 | JUSTERBAR ELEVATORSTØTTE | ADJUSTAB. ELEV. SUPPORT | EINSTELLB. ELEV.-STÜTZE |
| 19 | 14440800 | SVÆR SKIVE 21 X 37 X 3 MM | WASHER | SCHEIBE |
| 20 | 14431400 | LÅSEMØTRIK M20 | LOCK NUT | GEGENMUTTER |
| 21 | 14094400 | SÆTSKRUE GROV M20 X 40 MM | SET SCREW | SETZSCHRAUBE |

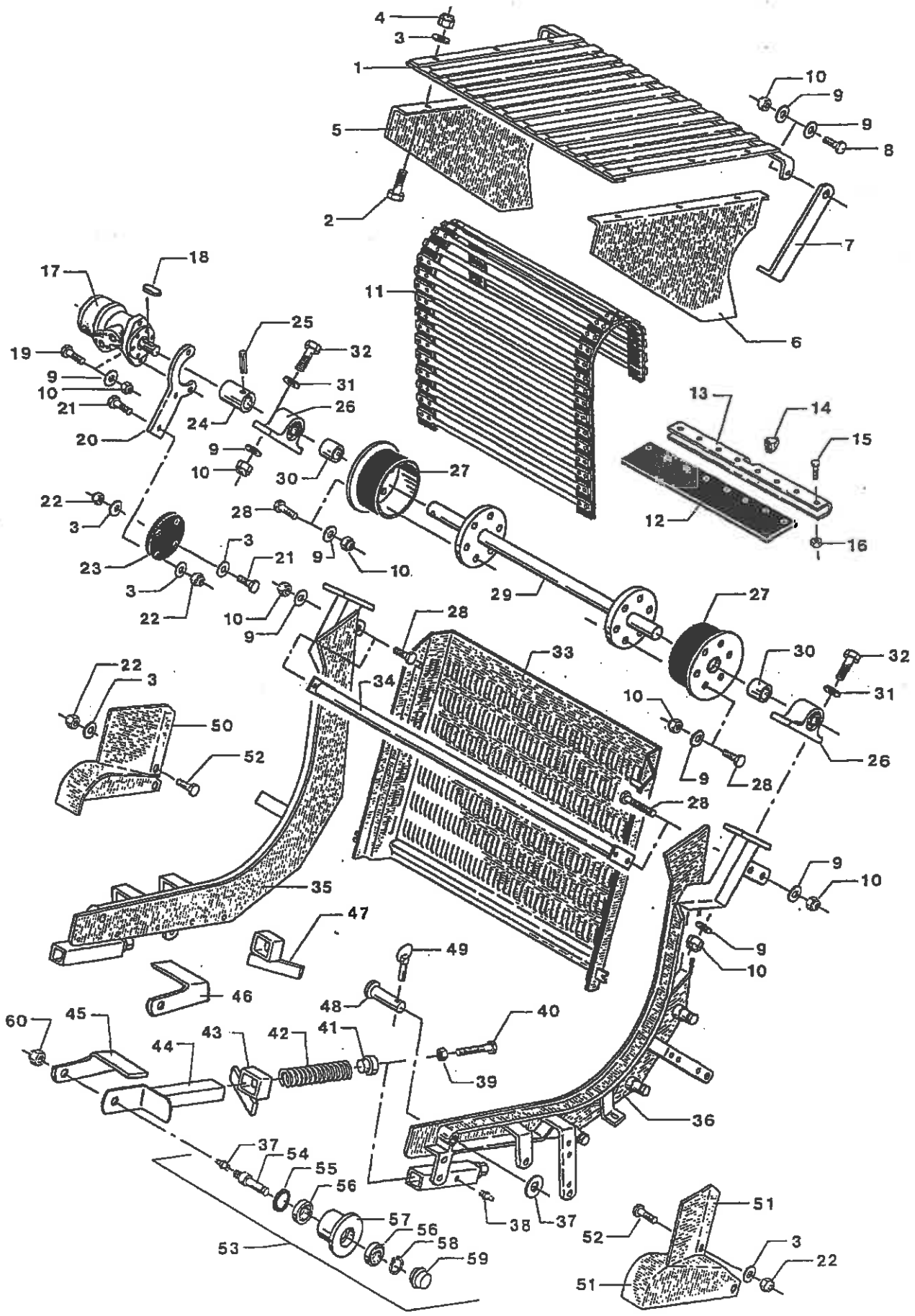


Bevægelig rensbånd

Movable cleaning belt

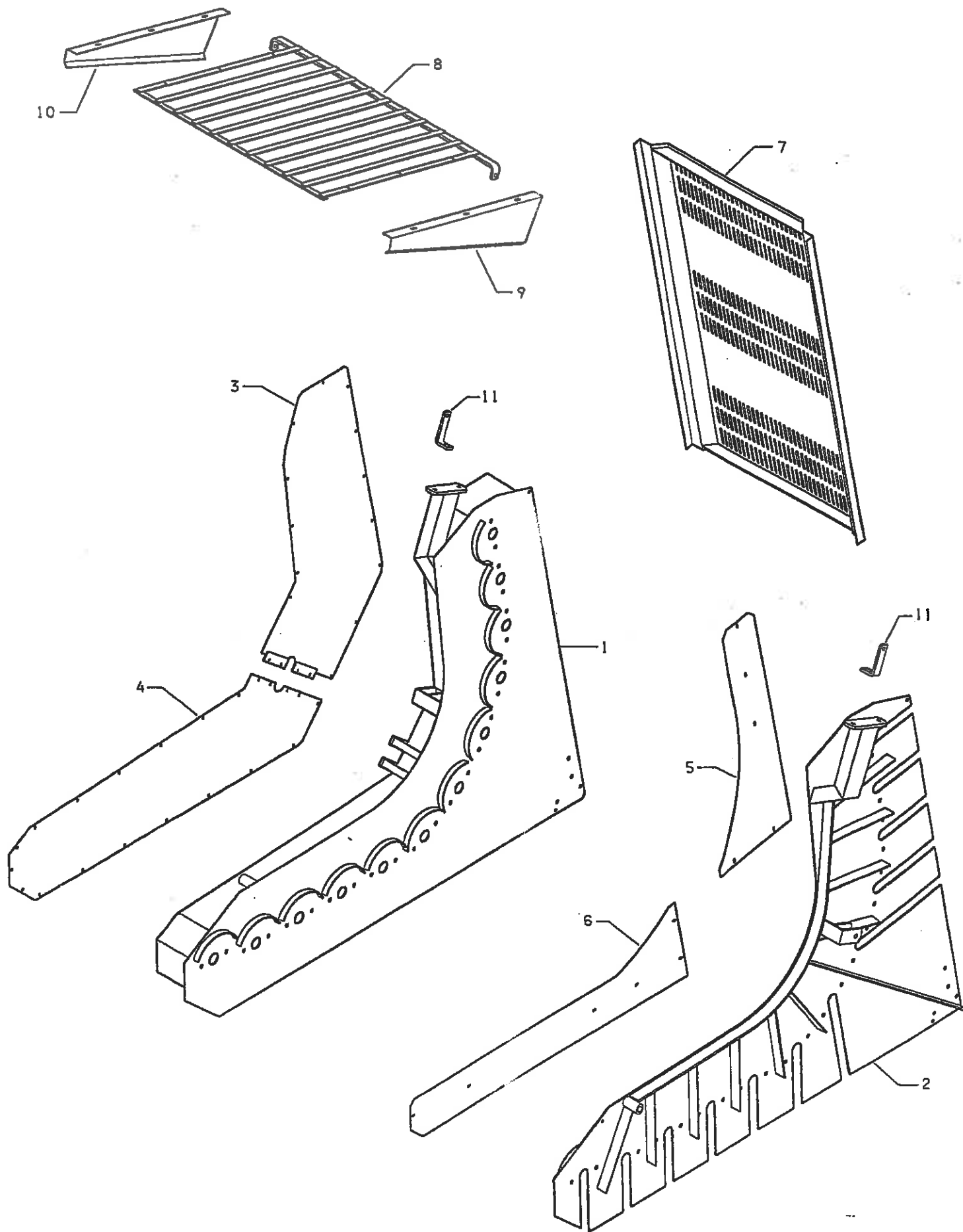
Bewegl. Reinigungsband

| | | | |
|------------------------------|-------------------------------------|-------------------------|--------------------------|
| 1 445248 | GITTER OVER BÅND | GRATE F/BELT | GITTER F/BAND |
| 2 14042300 | MASKINBOLT GROV M8 X 35 MM | BOLT | BOLZEN |
| 3 14440400 | SVER SKIVE 10.5 X 21 X 2 MM | WASHER | SCHIEBE |
| 4 14430300 | LÅSEMØTRIK M8 | LOCK NUT | GEGENMUTTER |
| 5 445109 | H. SKÆRM FOR GITTER | RH GUARD F/GRATE | R. SCHIRM F/GITTER |
| 6 445108 | V. SKÆRM FOR GITTER | LH GUARD F/GRATE | L. SCHIRM F/GITTER |
| 7 445105 | HOLDER F/BEVÆGELIGT GITTER | HOLDER F/MOVABLE GRATE | HALTER F/BEWEGL. GITTER |
| 8 14090000 | SETSKRUE GROV M12 X 45 MM | SET SCREW | SETZSCHRAUBE |
| 9 14440500 | SVER SKIVE 13 X 24 X 2.5 MM | WASHER | SCHIEBE |
| 10 14430700 | LÅSEMØTRIK M12 | LOCK NUT | GEGENMUTTER |
| 11 17819180 | GUMMIKÆDE 900 X 5250 MM | RUBBER CHAIN | GUMMIKETTE |
| 11 502259 | REP. SET BÅND, BR. 900 MM | REP. KIT F/BELT | REPARATURSATZ F/BAND |
| 12 2380011 | GUMMISKÆRM 714 X 110 X 10 MM | RUBBER GUARD | GUMMISCHIRM |
| 13 445166 | HOLDEBESLAG FOR GUMMILAP 2X100X714 | BRACKET F. RUBBER LAP | HALTBESCHL. F/GUMMILAP. |
| 14 14847300 | WIRELÅS F2B 7/16" | WIRE LOCK | DRAHTSEILSCHLOSS |
| 14 14430300 | LÅSEMØTRIK M8 | LOCK NUT | GEGENMUTTER |
| 15 14083900 | SETSKRUE GROV M6 X 20 MM | SET SCREW | SETZSCHRAUBE |
| 16 14430100 | LÅSEMØTRIK M6 | LOCK NUT | GEGENMUTTER |
| 17 13718700 | OLIEMOTOR OMR 160 | OIL MOTOR | ÖLMOTOR |
| 17 13719900 | PAKNINGSSÆT ALLE OMR | PACKING SET | DICHTSATZ |
| 18 14607400 | PASFEDER 8 X 7 X 32 MM | KEY | PASSFEDER |
| 19 14090000 | SETSKRUE GROV M12 X 45 MM | SET SCREW | SETZSCHRAUBE |
| 20 445001 | GAFFELBESLAG F. HYDR. MOTOR | CLEVIS FIT. F/OIL MOTOR | GABELBESCHL. F/HYD.MOTOR |
| 21 14087900 | SETSKRUE GROV M10 X 45 MM | SET SCREW | SETZSCHRAUBE |
| 22 14430500 | LÅSEMØTRIK M10 | LOCK NUT | GEGENMUTTER |
| 23 471676 | KOBLINGSSKIVE | CLUTCH DISK | KUPPLUNGSSCHIEBE |
| 24 444894 | BØSNING F. HYDR. MOTOR | BUSH F. OIL MOTOR | BUCHSE F. ÖLMOTOR |
| 25 14580700 | RØRSPÆNDESTIFT Ø12 X 50 MM | DOWEL | ROHRSPANNSTIFT |
| 26 15106100 | LEJEHUS F. STÅLEJE SY 507M | PEDEST. BEARING HOUSING | GEHÄUSE F/STEHLAGER |
| 26 15108001 | LEJE F.FLANGE- OG STÅLEJE - SKF 207 | BEARING F/FLANGE+PED.B. | LAGER F/FL.+STEHLAGER |
| 26 15168901 | STÅLEJE SY35TL SPEC. PAKNING | PEDESTAL BEAR. SPC.SEAL | STEHLAGER SPEZ.DICHT |
| 27 445660 434-480 | TOPRULLE M/BELEGNING | TOP ROLL W/COATING | ÖBERROLLE M/VERKLEIDUNG |
| 28 14089900 | SETSKRUE GROV M12 X 40 MM | SET SCREW | SETZSCHRAUBE |
| 29 444694 | ØVERSTE BAGESTE AKSEL | TOP REAR SHAFT | ÖBERE HINTERWELLE |
| 30 444904 | AFSTANDSBØSNING Ø40 X 2 X 30 MM | DISTANCE BUSH | ABSTANDBUCHSE |
| 31 14453000 | SVER SKIVE 1/2" | WASHER | SCHIEBE |
| 32 14046000 | MASKINBOLT GROV M12 X 50 MM | BOLT | BOLZEN |
| 33 444727 | BAGSKÆRM KPL. F/ELEVATOR | REAR GUARD CPL F/ELEV. | HINTERSCHIRM KPL F/ELE. |
| 34 444677 | TVERSTYKKE | CROSS PIECE | QUERSTÖCK |
| 35 444722 | H. SIDEPLADE F/BEVÆGELIG ELEVATOR | RH SIDE PL./PIVOT. ELE. | R SEITENPL./SCHWENKB.EL |
| 36 444721 | V. SIDEPLADE F/BEVÆGELIG ELEVATOR | LH SIDE PL./PIVOT. ELE. | L SEITENPL./SCHWENKB.EL |
| 37 443567 | RONDEL Ø50/Ø21 X 6 MM | DISC | RUNDELL |
| 38 13841000 | SMØRENIPPEL LIGE MFS X 1 MM | GREASE NIPPLE STRAIGHT | SCHMIERNIPPEL GERADE |
| 39 14411100 | MØTRIK M16 | NUT | MUTTER |
| 40 14093705 | SETSKRUE GROV M16 X 170 MM | SET SCREW | SETZSCHRAUBE |
| 41 444908 | FJEDERBØSNING Ø30/18 X 30 MM | SPRING BUSH | FEDERBUCHSE |
| 42 14776325 | TRYKFJEDER Ø6.0 X Ø30 X 250 MM | COMPRESSION SPRING | DRUCKFEDER |
| 43 445160 | STENUDKASTER V. | STONE EJECTOR LH | STEINAUSWERFER L. |
| 44 444885 | INDERRØR I BÅNDSTRAMMER | INNER PIPE I/BELT TENS. | INW. ROHR I/BANDSPANNER |
| 45 444713 | AFSTRYGER V. | SCRAPER LH | ABSTREIFER L. |
| 46 444712 | AFSTRYGER H. | SCRAPER RH | ABSTREIFER R. |
| 47 445161 | STENUDKASTER H. | STONE EJECTOR RH | STEINAUSWERFER R. |
| 48 500149 | NAGLE Ø19 X 122 MM | PIN | NAGEL |



MIISA-TE120 / KRB/S-212 RESERVEDELSLISTE MED TILBEHØR
MIISA-TE120 / KRB/S-212 SPARE PARTS LIST WITH ACCESSORIES
MIISA-TE120 / KRB/S-212 ERSATZTEILLISTE MIT ZUBEHOER

| | | | |
|-------------|-------------------------------------|-------------------------|------------------------|
| 49 14538700 | TRAKTORSPLIT Ø8 MM | LINCH PIN | SICHERUNGSSPLINT |
| 50 445193 | SKERM HØJRE | GUARD RH | SCHIRM R. |
| 51 445194 | SKERM VENSTRE | GUARD LH | SCHIRM L. |
| 52 14087600 | SÆTSKRUE GROV M10 X 30 MM | SET SCREW | SETZSCHRAUBE |
| 53 445056 | BUNDRULLE | BOTTOM ROLLER | BODENROLLE |
| 54 491718 | AKSEL F. BUNDRULLE Ø30 X 120 MM | BOTTOM ROLLER SHAFT | WELLE F/BODENROLLE |
| 55 13326500 | SIMMERRING 30 X 52 X 10 MM DOBB.LE. | OIL SEAL | OELFANGRING |
| 56 15112300 | SPORKUGLELEJE ENREK. 6205-RS | STEP BALL BEARING 1-R. | SPURKUGELLAGER 1-REIH. |
| 57 430000 | RULLE M/GUMMIBELEGNING | ROLLER W/RUBBER COATING | ROLLE M/GUMMIVERKLEID. |
| 58 14642500 | SEEGERRING UDV. Ø25 MM | CIRCLIP | SICHERUNGSRING |
| 59 13272013 | BLINDDEKSEL | BLIND COVER | BLINDKAPSEL |
| 60 14431400 | LÅSEMØTRIK M20 | LOCK NUT | GEGENMUTTER |



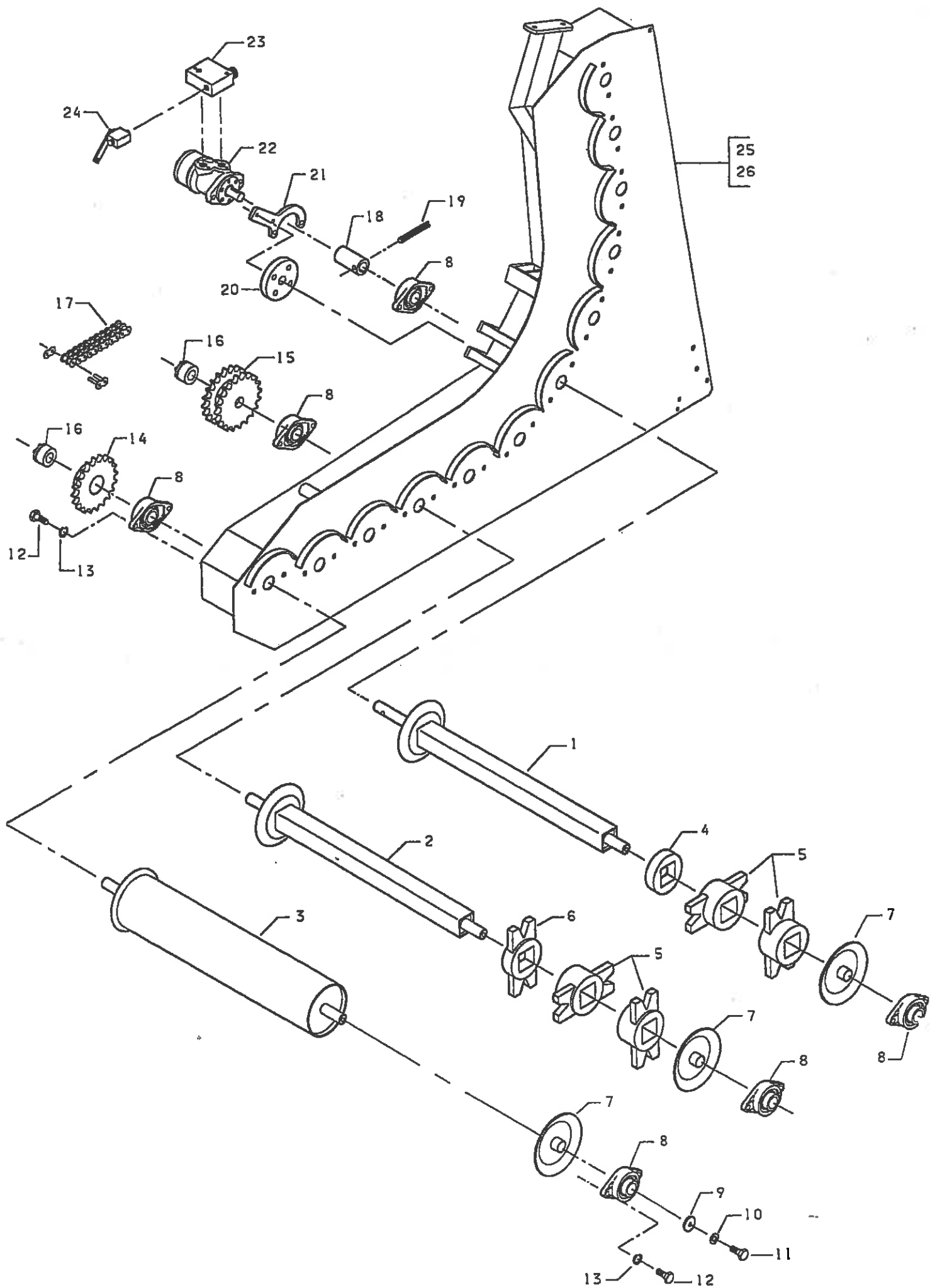
MIISA-TEL20 / KRB/S-212 RESERVEDELSLISTE MED TILBEHØR
 MIISA-TEL20 / KRB/S-212 SPARE PARTS LIST WITH ACCESSORIES
 MIISA-TEL20 / KRB/S-212 ERSATZTEILLISTE MIT ZUBEHOER

Afskærmning v/sv. renseelevato

Guards

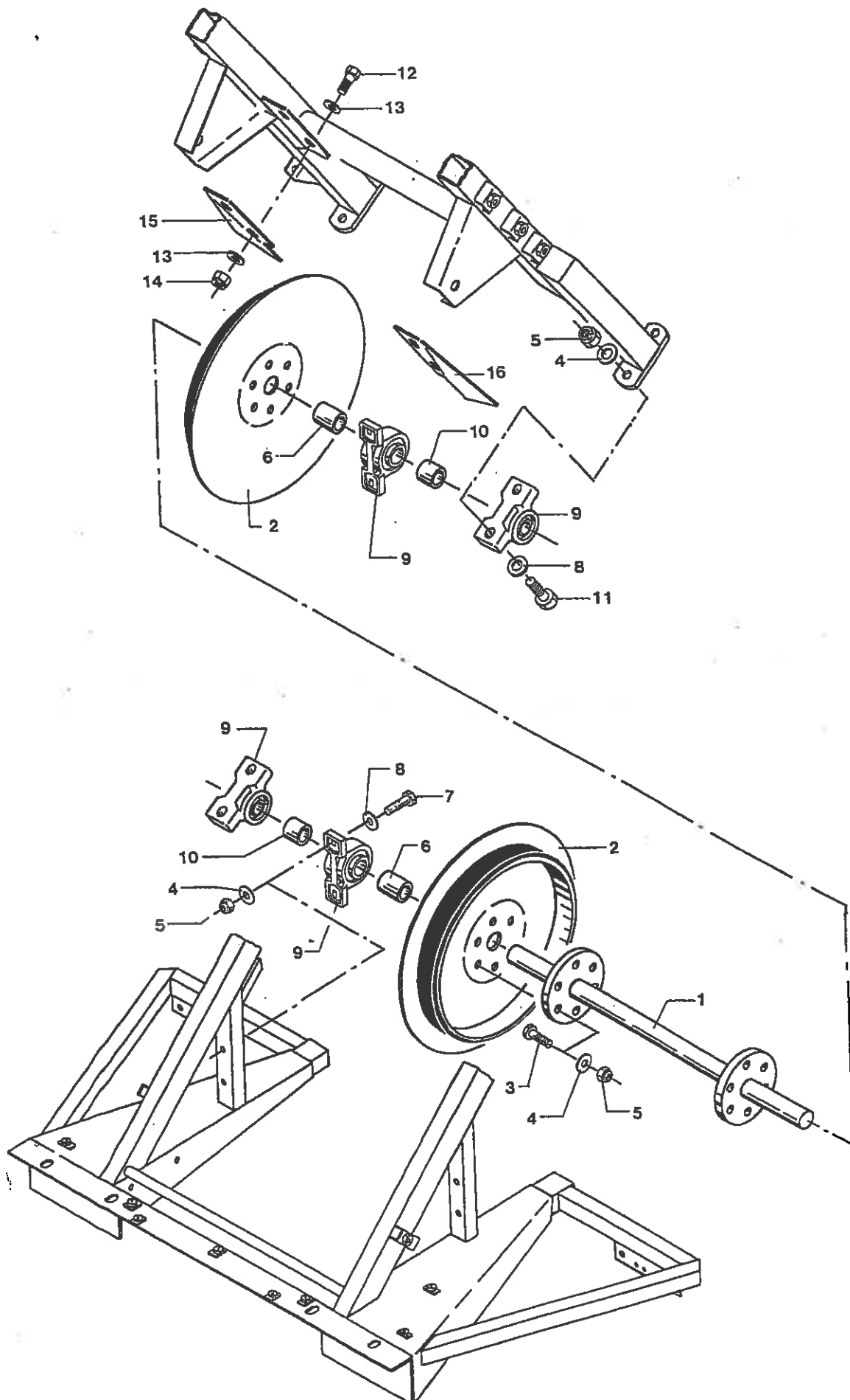
Schirme

| | | | |
|-----------|-----------------------------------|-------------------------|-------------------------|
| 1 434435 | HØJRE SIDEPLADE | RIGHT SIDE PLATE | R SEITENPLATTE |
| 2 434434 | VENSTRE SIDEPLADE | LEFT SIDE PLATE | L SEITENPLATTE |
| 3 434466 | ØVERSTE DEKPLADE | UP SIDE GUARD | OBERE SEITENSCHIRM |
| 4 434463 | NEDERSTE DEKPLADE | LOW SIDE GUARD | UNTERE SEITENSCHIRM |
| 5 434465 | INDV. ØVERSTE DEKPLADE | UP SIDE GUARD | OBERE SEITENSCHIRM |
| 6 434464 | INDV. NEDERSTE DEKPLADE | LOW SIDE GUARD | UNTERE SEITENSCHIRM |
| 7 434478 | AFDEKNING FOR RENSEELEVATOR | COVER F/CLEAN. ELEVATOR | ABDECKUNG F/REIN. ELEVA |
| 8 445248 | GITTER OVER BÅND | GRATE F/BELT | GITTER F/BAND |
| 9 433267 | HØJRE SKERM V/BEVÆGELIGT GITTER | RH GUARD B/MOVAB. GRATE | R. SCHIRM A/BEWEG. GIT. |
| 10 433268 | VENSTRE SKERM V/BEVÆGELIGT GITTER | LH GUARD B/MOVAB. GRATE | L. SCHIRM A/BEWEG. GIT. |
| 11 433846 | HOLDER FOR GITTER | HOLDER FOR GRATE | HALTER FOR GITTER |



MIISA-TE120 / KRB/S-212 RESERVEDELSLISTE MED TILBEHØR
 MIISA-TE120 / KRB/S-212 SPARE PARTS LIST WITH ACCESSORIES
 MIISA-TE120 / KRB/S-212 ERSATZTEILLISTE MIT ZUBEHOER

| Svensk rensellevator | Cleaning elevator | Reinigungsellevator |
|----------------------|--------------------------------------|-------------------------|
| 1 434432 | AKSEL VED MOTOR | AXLE |
| 2 434426 | AKSEL FOR GUMMIFINGER | SHAFT F/ RUBBER FINGERS |
| 3 434451 | AKSEL YDERSTE | AXLE |
| 4 435159 | RENSEFINGERDEL UDEN FINGRE. | CLEA. FINGER PART WO/F. |
| 5 2382001 | RENSEFINGER, GUMMI | CLEANING FINGER, RUBBER |
| 6 435160 | RENSEFINGERDEL MED FINGRE | CLEAN. FINGER PART W/F. |
| 7 434433 | STOPRING | DISC |
| 8 15175500 | FLANGELEJE OVAL FYTB 30 TF | FLANGED BEARING, OVAL |
| 9 435375 | SKIVE Ø42/Ø13 X 6 MM | WASHER |
| 10 14440500 | SVÆR SKIVE 13 X 24 X 2.5 MM | WASHER |
| 11 14089600 | SETSKRUE GROV M12 X 25 MM | SET SCREW |
| 12 14089800 | SETSKRUE GROV M12 X 35 MM | SET SCREW |
| 13 14462700 | CENTERFJEDERSKIVE M12 | SPRING WASHER |
| 14 434420 | KÆDEHJUL 1" 20TDR Ø55 | SPROCKETWHEEL |
| 15 434418 | DOBB. KÆDEHJUL 1" 20TDR Ø31/Ø55 | DOUBLE CHAIN WHEEL |
| 16 15230531 | KLEMBØSNING | SPLIT BUSHING |
| 16 14255300 | UNBRACO MC 6 X 25 MM | UNBRACO SCREW |
| 17 15221317 | RULLEKÆDE 1" | CHAIN |
| 17 15216500 | SAMLELED LIGE 1" X 17.02 MM | JOINT LINK STRAIGHT |
| 18 471880 | BØSNING F/OLLIEMOTOR Ø25/30 X 90 MM | BUSH F/OIL MOTOR |
| 19 14580700 | RØRSPENDESTIFT Ø12 X 50 MM | DOWEL |
| 20 471676 | KOBLINGSSKIVE | CLUTCH DISK |
| 21 445001 | GAFFELBESLAG F. HYDR. MOTOR | CLEVIS FIT. F/OIL MOTOR |
| 22 13718612 | OLLIEMOTOR OMR 125 | OIL MOTOR |
| 23 13732300 | MENGDEREGULERINGSVENTIL KPL. J1A6OWN | QUANT. CONTR. VALVE CPL |
| 24 13737020 | BLOKKUGLEHANE FOR 15 MM RØR | BLOCK BALL COCK |
| 25 434435 | HØJRE SIDEPLADE | RIGHT SIDE PLATE |
| 26 434434 | VENSTRE SIDEPLADE | LEFT SIDE PLATE |
| | | WELLE |
| | | WELLE F/ GUMMI FINGERN |
| | | WELLE |
| | | TEIL REIN.-FINGER O/FI. |
| | | REINIGUNGSFINGER, GUMMI |
| | | TEIL REIN.-FINGER M/FI. |
| | | STOPRING |
| | | FLANSCHENLAGER, OVAL |
| | | SCHEIBE |
| | | SCHEIBE |
| | | SCHEIBE |
| | | SETZSCHRAUBE |
| | | SETZSCHRAUBE |
| | | SETZSCHRAUBE |
| | | FEDERSCHEIBE |
| | | KETTENRAD |
| | | DOPP. KETTENRAD |
| | | KLEMMBUCHSE |
| | | UNBRACOSCHRAUBE |
| | | KETTE |
| | | SAMMELGLIED GERADE |
| | | BUCHSE F/OELMOTOR |
| | | ROHRSPANNSTIFT |
| | | KUPPLUNGSSCHEIBE |
| | | GABELBESCHL.F/HYD.MOTOR |
| | | OELMOTOR |
| | | MENGENREGELVENTIL KPL. |
| | | BLOCKKUGELHAHN |
| | | R SEITENPLATTE |
| | | L SEITENPLATTE |



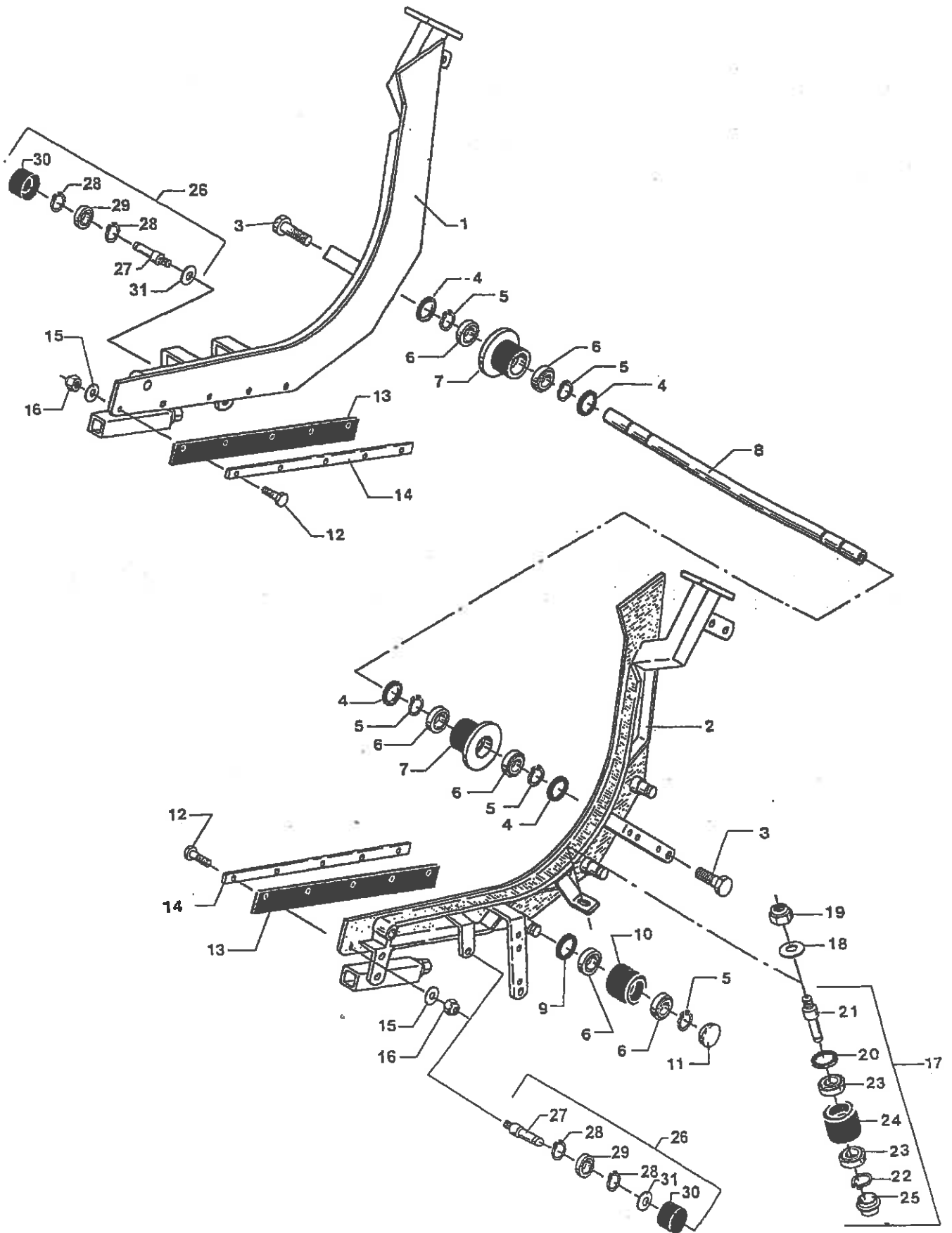
MIISA-TE120 / KRB/S-212 RESERVEDELSLISTE MED TILBEHØR
 MIISA-TE120 / KRB/S-212 SPARE PARTS LIST WITH ACCESSORIES
 MIISA-TE120 / KRB/S-212 ERSATZTEILLISTE MIT ZUBEHOER

Omløbshjul f. elevatorbånd

Turn wheel f. elev. belt

Umlaufrad f/Elev.-band

| | | | |
|-------------|-------------------------------------|-------------------------|-----------------------|
| 1 445179 | BAGESTE AKSEL Ø40 X 1025 MM | REAR SHAFT | HINTERWELLE |
| 2 444697 | DRIVHJUL | DRIVE WHEEL | TRIEBRAD |
| 3 14089700 | SETSKRUE GROV M12 X 30 MM | SET SCREW | SETZSCHRAUBE |
| 4 14440500 | SVÆR SKIVE 13 X 24 X 2.5 MM | WASHER | SCHEIBE |
| 5 14430700 | LÅSEMØTRIK M12 | LOCK NUT | GEGENMUTTER |
| 6 444902 | AFSTANDSBØSNING | DISTANCE BUSH | ABSTANDBUCHSE |
| 7 14046700 | MASKINBOLT GROV M12 X 90 MM | BOLT | BOLZEN |
| 8 14453000 | SVÆR SKIVE 1/2" | WASHER | SCHEIBE |
| 9 15169001 | STÅLEJE SY40TL SPEC. PAKNING | PEDESTAL BEAR. SPC.SEAL | STEHLAGER SPEZ.DICHT |
| 9 15106200 | LÆJERHUS F. STÅLEJE SY 508M | PEDEST. BEARING HOUSING | GEHÄUSE F/STEHLAGER |
| 9 15108101 | LÆJE F.FLANGE- OG STÅLEJE - SKF 208 | BEARING F/FLANGE+PED.B. | LAGER F/FL.+STEHLAGER |
| 10 444905 | AFSTANDSBØSNING Ø40 X 2 X 17 MM | DISTANCE BUSH | ABSTANDBUCHSE |
| 11 14046000 | MASKINBOLT GROV M12 X 50 MM | BOLT | BOLZEN |
| 12 14087900 | SETSKRUE GROV M10 X 45 MM | SET SCREW | SETZSCHRAUBE |
| 13 14440400 | SVÆR SKIVE 10.5 X 21 X 2 MM | WASHER | SCHEIBE |
| 14 14430500 | LÅSEMØTRIK M10 | LOCK NUT | GEGENMUTTER |
| 15 445133 | AFSTRYGGER H. | SCRAPER RH | ABSTREIFER R. |
| 16 445132 | AFSTRYGGER V. | SCRAPER LH | ABSTREIFER L. |

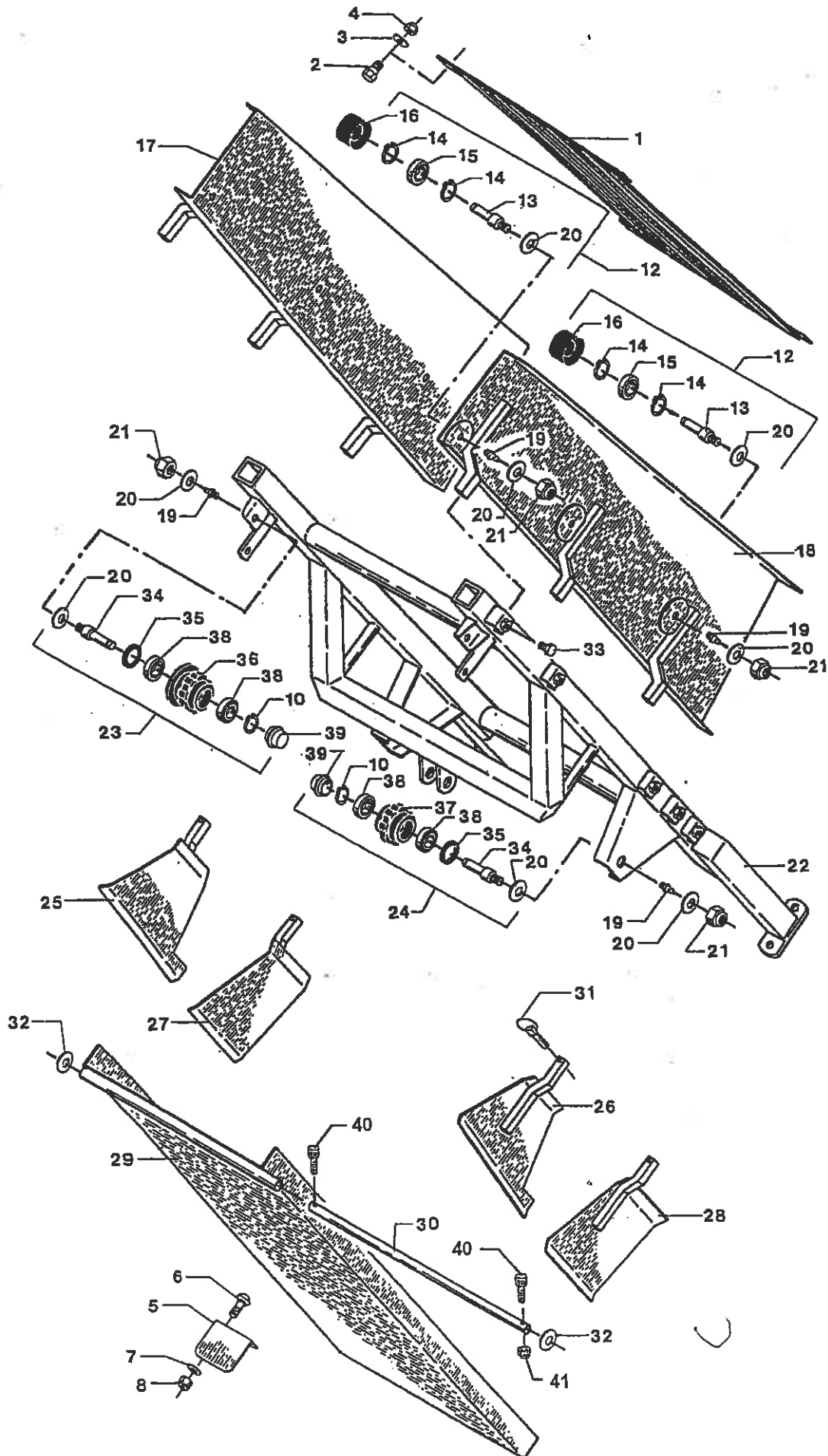


Ruller i rensébånd

Roller in cleaningbelt

Rollen f. Reinigungsband

| | | | |
|-------------|------------------------------------|-------------------------|-------------------------|
| 1 444722 | H. SIDEPLADE F/BEVEGELIG ELEVATOR | RH SIDE PL./PIVOT. ELE. | R SEITENPL./SCHWENKB.EL |
| 2 444721 | V. SIDEPLADE F/BEVEGELIG ELEVATOR | LH SIDE PL./PIVOT. ELE. | L SEITENPL./SCHWENKB.EL |
| 3 14092200 | SETS KRUE GROV M16 X 40 MM | SET SCREW | SETZSCHRAUBE |
| 4 13323500 | SIMMERRING 25 X 52 X 10 MM | OIL SEAL | OELFANGRING |
| 5 14642500 | SEEGERRING UDV. Ø25 MM | CIRCLIP | SICHERUNGSRING |
| 6 15112300 | SPORKUGLELEJE ENRÆK. 6205-RS | STEP BALL BEARING 1-R. | SPURKUGELLAGER 1-REIH. |
| 7 430000 | RULLE M/GUMMIBELÆGNING | ROLLER W/RUBBER COATING | ROLLE M/GUMMIVERKLEID. |
| 8 445195 | BAGESTE AKSEL Ø25 X 1090 MM | REAR SHAFT | HINTERWELLE |
| 9 13326400 | SIMMERRING 30 X 52 X 8 MM DOBB.LE. | OIL SEAL | OELFANGRING |
| 10 472511 | BÆRERULLE UDEN TÆNDER | CARR. ROLLER WO/TEETH | TRAGROLLE OHNE ZÄHNE |
| 11 13272013 | BLINDEKSEL | BLIND COVER | BLINDKAPSEL |
| 12 14085700 | SETS KRUE GROV M8 X 35 MM | SET SCREW | SETZSCHRAUBE |
| 13 2380013 | GUMMISKERM 780 X 50 X 10 MM | RUBBER GUARD | GUMMISCHIRM |
| 14 445181 | BESLAG F. GUMMI 20 X 5 X 780 MM | CLAMP F/RUBBER | BESCHLAG F/GUMMI |
| 15 14480200 | SPEC. SKIVE 25 X 8.5 X 2.0 MM | SPECIAL WASHER | SPEZIALSCHEIBE |
| 16 14430300 | LÅSEMØTRIK M8 | LOCK NUT | GEGENMUTTER |
| 17 471656 | BÆRERULLE U/TÆNDER KPL. | SUPP. ROLL WO/TEETH CPL | TRAGROLLE O/ZÄHN. KPL |
| 18 14440800 | SVÆR SKIVE 21 X 37 X 3 MM | WASHER | SCHEIBE |
| 19 14431400 | LÅSEMØTRIK M20 | LOCK NUT | GEGENMUTTER |
| 20 13326400 | SIMMERRING 30 X 52 X 8 MM DOBB.LE. | OIL SEAL | OELFANGRING |
| 21 471853 | AKSEL F. BÆRERULLE Ø30 X 118 MM | SHAFT F/CARR. ROLLER | WELLE F/TRAGROLLE |
| 22 14642500 | SEEGERRING UDV. Ø25 MM | CIRCLIP | SICHERUNGSRING |
| 23 15112300 | SPORKUGLELEJE ENRÆK. 6205-RS | STEP BALL BEARING 1-R. | SPURKUGELLAGER 1-REIH. |
| 24 471852 | BÆRERULLE UDEN TÆNDER | CARR. ROLLER WO/TEETH | TRAGROLLE OHNE ZÄHNE |
| 25 13272013 | BLINDEKSEL | BLIND COVER | BLINDKAPSEL |
| 26 491443 | BÆRERULLE KPL. | CARRYING ROLLER CPL. | TRAGROLLE KPL. |
| 27 491700 | AKSEL F. BÆRERULLE Ø29.99 X 105 MM | SHAFT F/CARRYING ROLLER | WELLE F/TRAGROLLE |
| 28 14643000 | SEEGERRING UDV. Ø30 MM | CIRCLIP | SICHERUNGSRING |
| 29 15112900 | SPORKUGLELEJE ENRÆK. 6306-RS | STEP BALL BEARING 1-R. | SPURKUGELLAGER 1-REIH. |
| 30 2380400 | BÆRERULLE F. GUMMIKÆDE | SUP. ROLL F/RUB.CHAIN | TRAGROLLE F/GUMMIKETTE |
| 31 443567 | RONDEL Ø50/Ø21 X 6 MM | DISC | RUNDELL |

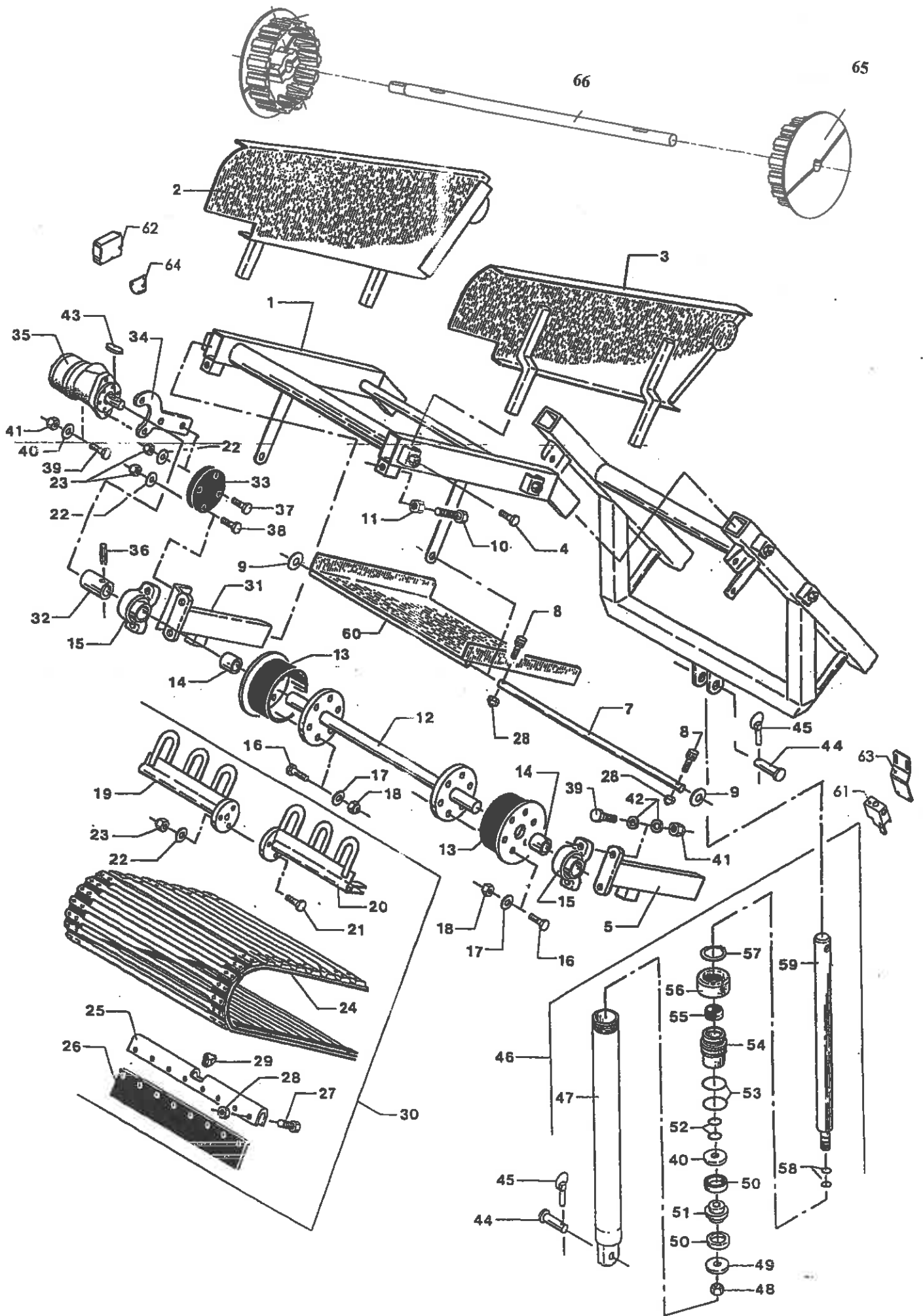


Bev. elevatorramme + skærme

Movable el.frame + guards

Bev. El.-rahmen+Schirme

| | | | |
|-------------|------------------------------------|-------------------------|-------------------------|
| 1 477076 | GITTER OVER ELEVATOR | GRATE OVER ELEVATOR | GITTER ÜBER ELEVATOR |
| 2 14089700 | SETSKRUE GROV M12 X 30 MM | SET SCREW | SETZSCHRAUBE |
| 3 14440500 | SVER SKIVE 13 X 24 X 2.5 MM | WASHER | SCHEIBE |
| 4 14430700 | LÅSEMØTRIK M12 | LOCK NUT | GEGENMUTTER |
| 5 477448 | SKERM FOR VENTILBLOCK | GUARD FOR VALVE BLOCK | SCHIRM F. VALVEBLOCK |
| 6 14323700 | BREDDEBOLT M10 X 25 MM | CARRIAGE BOLT | BOLZEN |
| 7 14440400 | SVER SKIVE 10.5 X 21 X 2 MM | WASHER | SCHEIBE |
| 8 14430500 | LÅSEMØTRIK M10 | LOCK NUT | GEGENMUTTER |
| 10 14642500 | SEEGERRING UDV. Ø25 MM | CIRCLIP | SICHERUNGSRING |
| 12 491443 | BÆRERULLE KPL. | CARRYING ROLLER CPL. | TRAGROLLE KPL. |
| 13 491700 | AKSEL F. BÆRERULLE Ø29.99 X 105 MM | SHAFT F/CARRYING ROLLER | WELLE F/TRAGROLLE |
| 14 14643000 | SEEGERRING UDV. Ø30 MM | CIRCLIP | SICHERUNGSRING |
| 15 15112900 | SPORKUGLELEJE ENRÆK. 6306-RS | STEP BALL BEARING 1-R. | SPURKUGELLAGER 1-REIH. |
| 16 2380400 | BÆRERULLE F. GUMMIKÆDE | SUP. ROLL F/RUB.CHAIN | TRAGROLLE F/GUMMIKETTE |
| 17 477075 | H. SIDEPLADE F. ELEVATOR | RH SIDE PLATE F. ELEV. | R. SEITENPLATTE F. ELE. |
| 18 477074 | V. SIDEPLADE F. ELEVATOR | LH SIDE PLATE F. ELEV. | L. SEITENPLATTE F. ELE. |
| 19 13841000 | SMØRENIPPEL LIGE MFS X 1 MM | GREASE NIPPLE STRAIGHT | SCHMIERNIPPEL GERADE |
| 20 443567 | RONDEL Ø50/Ø21 X 6 MM | DISC | RUNDELL |
| 21 14431400 | LÅSEMØTRIK M20 | LOCK NUT | GEGENMUTTER |
| 22 477061 | ELEVATORRAMME | ELEVATOR FRAME | ELEV. RAHMEN |
| 23 444701 | BÆRERULLE MED KRAVE KPL. | CARRYING ROLLER CPL. | TRAGROLLE KPL. |
| 24 471655 | BÆRERULLE M/TENDER KPL. | SUPP. ROLL W/TEETH CPL | TRAGROLLE M/ZAERN. KPL |
| 25 477084 | H. UNDERSTE SKERM | RH LOW GUARD | R. UNTERER SCHIRM |
| 26 477083 | V. UNDERSTE SKERM | LH LOW GUARD | L. UNTERER SCHIRM |
| 27 444679 | NEDERSTE HØJRE SKERM | LOW RH GUARD | UNTERER R. SCHIRM |
| 28 444680 | NEDERSTE VENSTRE SKERM | LOW LH GUARD | UNTERER L. SCHIRM |
| 29 444691 | STOR SPILDBAKKE | LARGE SPILL TRAY | GROSSER ABFALLSAMMLER |
| 30 444907 | AKSEL F. SPILDBAKKE Ø19 X 875 MM | SHAFT F. SPILL TRAY | WELLE F. ABFALLSAMMLER |
| 31 14538500 | TRAKTORSPLIT Ø6 MM | LINCH PIN | SICHERUNGSSPLINT |
| 32 14440800 | SVER SKIVE 21 X 37 X 3 MM | WASHER | SCHEIBE |
| 33 14159700 | TAPSETSKRUE GROV M10 X 20 MM | STUD SET SCREW | ZAPFSETZSCHRAUBE |
| 34 471853 | AKSEL F. BÆRERULLE Ø30 X 118 MM | SHAFT F/CARR. ROLLER | WELLE F/TRAGROLLE |
| 35 13326400 | SIMMERRING 30 X 52 X 8 MM DOBB.LE. | OIL SEAL | OELFANGRING |
| 36 420227 | BÆRERULLE MED KRAVE | CARRYING ROLLER W/COLL. | TRAGROLLE M/HALS |
| 37 471851 | BÆRERULLE MED TENDER | CARR. ROLLER W/TEETH | TRAGROLLE MIT ZAERNE |
| 38 15112300 | SPORKUGLELEJE ENRÆK. 6205-RS | STEP BALL BEARING 1-R. | SPURKUGELLAGER 1-REIH. |
| 39 13272013 | BLINDDEKSEL | BLIND COVER | BLINDKAPSEL |
| 40 14255500 | UNBRACO MC 6 X 35 MM | UNBRACO SCREW | UNBRACOSCHRAUBE |
| 41 14430100 | LÅSEMØTRIK M6 | LOCK NUT | GEGENMUTTER |

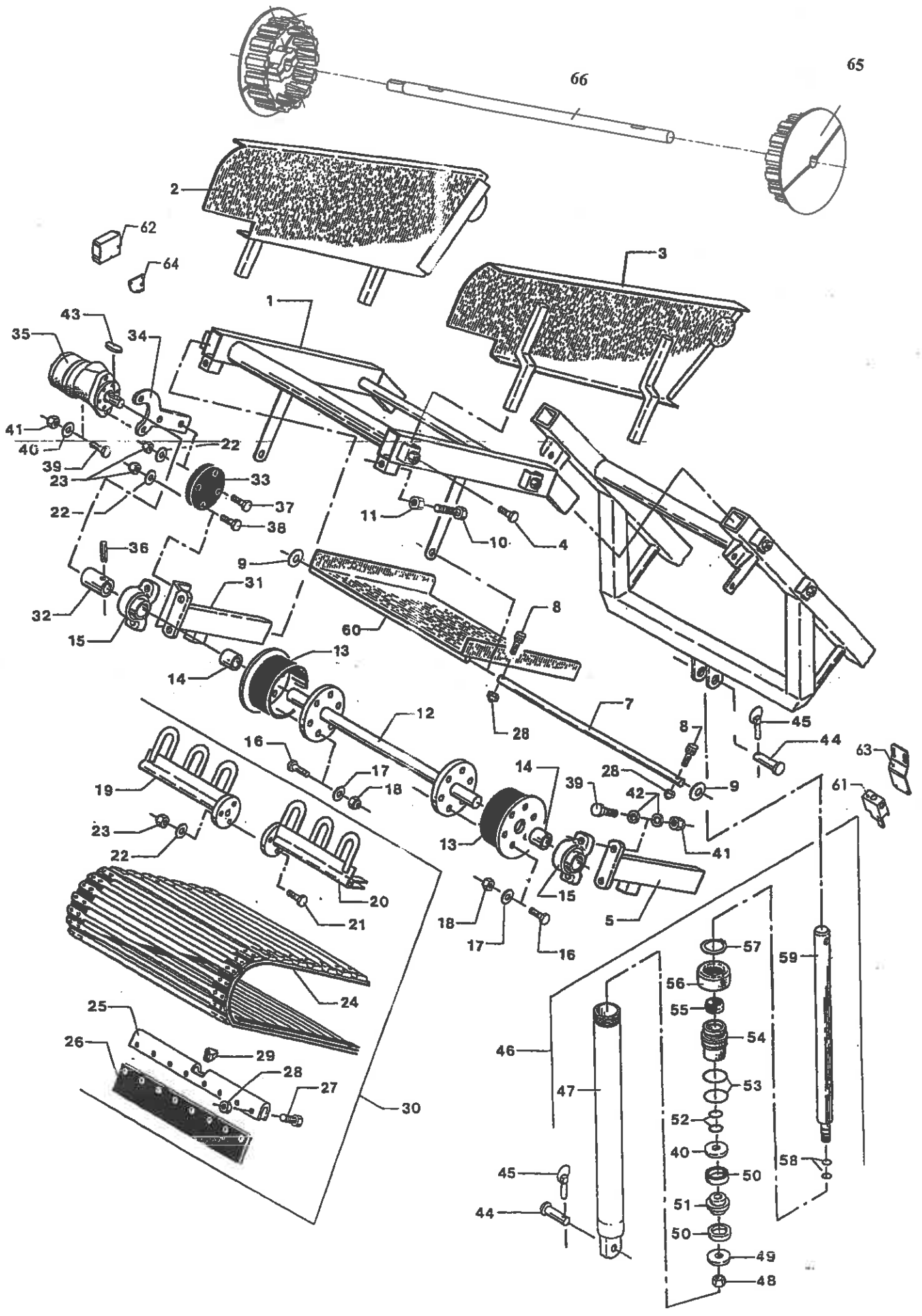


Elevatortop + løftecylinder

Elevator top + lift ram

Elev.-Überteil + Hubzylinder

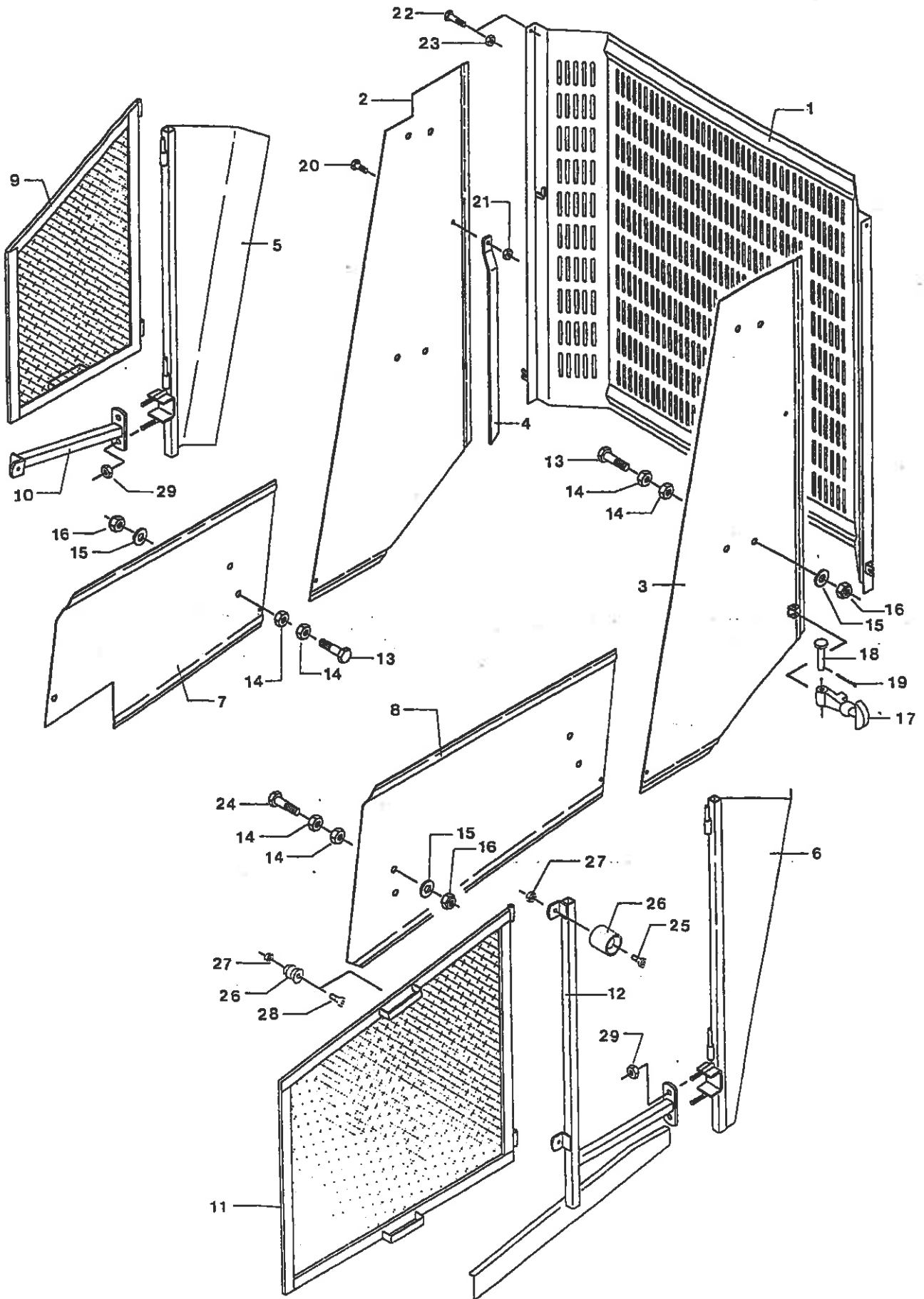
| | | | |
|-------------|------------------------------------|-------------------------|--------------------------|
| 1 445230 | ØVERSTE ELEVATORRAMME - LANG | LONG TOP ELEVATOR FRAME | ELEV.-RAHMEN OBEN LANG |
| 2 445117 | H. ØVERSTE SKERM - LANG | RH TOP GUARD, LONG | R. OBERSCHIRM, LANG |
| 3 445116 | V. ØVERSTE SKERM - LANG | LH TOP GUARD, LONG | L. OBERSCHIRM, LANG |
| 4 14159700 | TAPSETSKRUE GROV M10 X 20 MM | STUD SET SCREW | ZAPFSETZSCHRAUBE |
| 5 444824 | BÅNDSTRAMMER | BELT TIGHTENER | BANDSPANNER |
| 7 444907 | AKSEL F. SPILDBAKKE Ø19 X 875 MM | SHAFT F. SPILL TRAY | WELLE F. ABFALLSAMLER |
| 8 14255500 | UMBRACO MC 6 X 35 MM | UMBRACO SCREW | UNBRACOSCHRAUBE |
| 9 14440800 | SVER SKIVE 21 X 37 X 3 MM | WASHER | SCHEIBE |
| 10 14093500 | SETSKRUE GROV M16 X 130 MM | SET SCREW | SETZSCHRAUBE |
| 11 14411100 | MØTRIK M16 | NUT | MUTTER |
| 12 445176 | TOPAKSEL Ø35 X 965 MM | TOP SHAFT | OBERWELLE |
| 13 471660 | TOPRULLE M/BELGNING | TOP ROLL W/COATING | OBERROLLE M/VERKLEIDUNG |
| 14 444903 | AFSTANDSBØSNING Ø40 X 2 X 40 MM | DISTANCE BUSH | ABSTANDBUCHSE |
| 15 15168900 | STÅLEJE SY 35 TF | PEDESTAL BEARING | STEHLAGER |
| 16 14089900 | SETSKRUE GROV M12 X 40 MM | SET SCREW | SETZSCHRAUBE |
| 17 14440500 | SVER SKIVE 13 X 24 X 2.5 MM | WASHER | SCHEIBE |
| 18 14430700 | LÅSEMØTRIK M12 | LOCK NUT | GEGENMUTTER |
| 19 444667 | HØJRE MEDBRINGER | RH CARRIER | R. MITNEHMER |
| 20 444668 | VENSTRE MEDBRINGER | LH CARRIER | L. MITNEHMER |
| 21 14087600 | SETSKRUE GROV M10 X 30 MM | SET SCREW | SETZSCHRAUBE |
| 22 14440400 | SVER SKIVE 10.5 X 21 X 2 MM | WASHER | SCHEIBE |
| 23 14430500 | LÅSEMØTRIK M10 | LOCK NUT | GEGENMUTTER |
| 24 17819085 | GUMMIKæDE 750 X 7050 MM | RUBBER CHAIN | GUMMIKETTE |
| 24 502258 | REP. SET BÅND, BR. 750 MM | REP. KIT F/BELT | REPARATURSATZ F/BAND |
| 25 445183 | HOLDEBESLAG FOR GUMMILAP 2X100X550 | BRACKET F. RUBBER LAP | HALTBESCHL. F/GUMMILAP. |
| 26 2380010 | GUMMISKERM 550 X 110 X 10 MM | RUBBER GUARD | GUMMISCHIRM |
| 27 14083900 | SETSKRUE GROV M6 X 20 MM | SET SCREW | SETZSCHRAUBE |
| 28 14430100 | LÅSEMØTRIK M6 | LOCK NUT | GEGENMUTTER |
| 29 14847300 | WIRELÅS FZB 7/16" | WIRE LOCK | DRAHTSEILSCHLOSS |
| 30 444711 | BÅND M/18 MEDBR. KPL. B=750 L=7050 | BELT W/18 CARRIERS CPL | BAND M/18 MITNEHM. KPL |
| 31 445177 | H. BÅNDSTRAMMER | RH BELT TIGHTENER | R. BANDSPANNER |
| 32 444894 | BØSNING F. HYDR. MOTOR | BUSH F. OIL MOTOR | BUCHSE F. OELMOTOR |
| 33 471676 | KOBLINGSSKIVE | CLUTCH DISK | KUPPLUNGSSCHEIBE |
| 34 445001 | GAFFELBESLAG F. HYDR. MOTOR | CLEVIS FIT. F/OIL MOTOR | GABELBESCHL. F/HYD.MOTOR |
| 35 13718700 | OELMOTOR OMR 160 | OIL MOTOR | OELMOTOR |
| 35 13719900 | PAKNINGSSÆT ALLE OMR. | PACKING SET | DICHTSATZ |
| 36 14580700 | RØRSPANDESTIFT Ø12 X 50 MM | DOWEL | ROHRSPANNSTIFT |
| 37 14087900 | SETSKRUE GROV M10 X 45 MM | SET SCREW | SETZSCHRAUBE |
| 38 14087800 | SETSKRUE GROV M10 X 40 MM | SET SCREW | SETZSCHRAUBE |
| 39 14090000 | SETSKRUE GROV M12 X 45 MM | SET SCREW | SETZSCHRAUBE |
| 40 14440500 | SVER SKIVE 13 X 24 X 2.5 MM | WASHER | SCHEIBE |
| 41 14430700 | LÅSEMØTRIK M12 | LOCK NUT | GEGENMUTTER |
| 42 14453000 | SVER SKIVE 1/2" | WASHER | SCHEIBE |
| 43 14607400 | PASFEDER 8 X 7 X 32 MM | KEY | PASSFEDER |
| 44 471280 | NAGLE F. STJERTCYL. Ø19/10 X 72 MM | LONG PIN F/TAIL RAM | NAGEL LANG F/DEICH.ZYL. |
| 45 14538700 | TRAKTORSPLIT Ø8 MM | LINCH PIN | SICHERUNGSSPLINT |
| 46 350633 | CYLINDER D65/40 - 550/750 | CYLINDER | ZYLINDER |
| 46 491394 | PAKNINGSSÆT Ø65 DOBB. U. CYL. | GASKET SET | DICHTSATZ |
| 47 351553 | CYLINDERØR KPL. Ø75/Ø65 X 355 MM | CYLINDER TUBE CPL | ZYLINDERØHR KPL |
| 48 14408610 | STÅLMØTRIK UNF 1" | STEEL NUT | STAHLMUTTER |
| 49 443490 | SKIVE Ø64/Ø25.5 X 6 MM | DISC | SCHEIBE |
| 50 13345000 | NUTRING 40 X 65 X 12 MM | OIL SEAL | MANSCHETTE |
| 51 350211 | MANCHETHOLDER DOB. Ø65 | SLEEVE HOLDER DOUBLE | HALTER F/MANSCH. DOPPEL |



MIISA-TE120 / KRB/S-212 RESERVEDELSLISTE MED TILBEHØR
 MIISA-TE120 / KRB/S-212 SPARE PARTS LIST WITH ACCESSORIES
 MIISA-TE120 / KRB/S-212 ERSATZTEILLISTE MIT ZUBEHÖR

| | | | | |
|----|----------|-----------------------------|--------------|----------------|
| 52 | 13314900 | O-RING Ø39.69 X 3.53 MM | O-RING | O-RING |
| 53 | 13316000 | O-RING Ø53.34 X 5.33 MM | O-RING | O-RING |
| 54 | 491633 | STEMPELSTYR F. Ø65 RØR | PISTON GUIDE | KOLBENFUEHRUNG |
| 55 | 13387500 | AFSTRYGER 40 X 50 X 7/10 MM | WIPER | ABSTREIFER |
| 56 | 491634 | TOEMØTRIK Ø100/Ø50 X 44 MM | TOP NUT | KOPFMOTTER |
| 57 | 14652600 | SEEGERRING UDV. Ø60 MM | CIRCLIP | SICHERUNGSRING |
| 58 | 13312000 | O-RING Ø19.2 X 3 MM | O-RING | O-RING |
| 59 | 351552 | STEMPELSTANG Ø40 X 495 MM | PISTON ROD | KOLBENSTANGE |
| 60 | 476104 | SPILDBAKKE L=310 MM | SPILL TRAY | ABFALLSAMLER |

| Pos | Bestil nr. | Benævnelse | Description | Bezeichnung | Bemærkning |
|-----|------------|------------|-------------|-------------|------------|
| 61 | 861285 | Endestop | Swich | Swits | |
| 62 | 862376 | Aftaster | Switch | Abtasten | |
| 63 | 88705610 | Beslag | Bracket | Konsole | |
| 64 | 28652600 | Beslag | Bracket | Kensele | |
| 65 | 17819498 | TOPRULLE | TOP ROLL | OBERROLLE | NEW MODEL |
| 66 | 478120 | TOPAKSEL | TOP SHAFT | OBERWELLE | NEW MODEL |

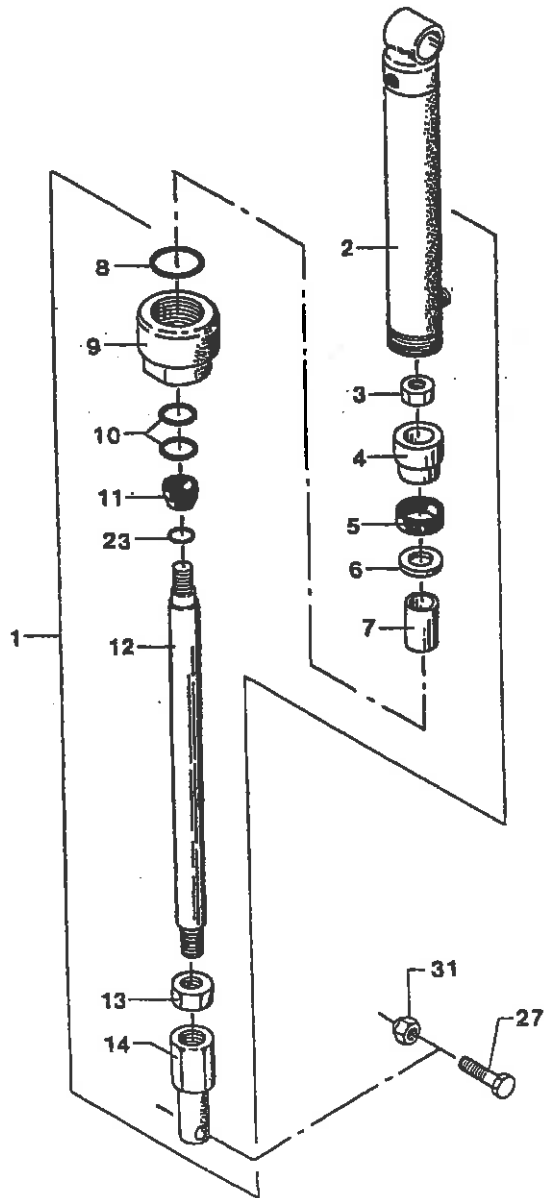
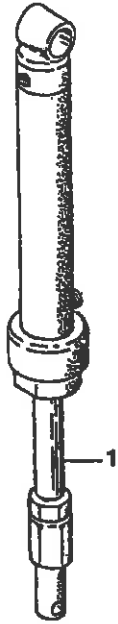


Afskæmmninger f/holl. bagende

Guards f/rear end - D

Schirme f/holl. Hinterende

| | | | |
|-------------|-----------------------------|-------------------------|-------------------------|
| 1 494944 | BAGSKÆRM FOR ELEVATOR | REAR GUARD F/ELEV. | HINTERSCHIRM F/ELE. |
| 2 494964 | H. ØVERSTE SIDESKÆRM | RH TOP SIDE GUARD | R. OBERE SEITENSCHIRM |
| 3 494963 | V. ØVERSTE SIDESKÆRM | LH TOP SIDE GUARD | L. OBERE SEITENSCHIRM |
| 4 494957 | HOLDER FOR BAGSKÆRM | HOLDER F/REAR GUARD | HALTER F/HINTERSCHIRM |
| 5 494970 | HØJRE SIDESKÆRM | RH SIDE GUARD | R. SEITENSCHIRM |
| 6 494969 | VENSTRE SIDESKÆRM | LH SIDE GUARD | L. SEITENSCHIRM |
| 7 494953 | HØJRE NEDERSTE SIDESKÆRM | RH LOW SIDE GUARD | R. UNTERE SEITENSCHIRM |
| 8 494952 | VENSTRE NEDERSTE SIDESKÆRM | LH LOW SIDE GUARD | L. UNTERE SEITENSCHIRM |
| 9 445239 | H. ØVERSTE GITTER | RH TOP GRATE | R. OBERGITTER |
| 10 494978 | HØJRE OPSTANDER | RH UPRIGHT | R. STAENDER |
| 11 445243 | V. ØVERSTE GITTER | LH TOP GRATE | L. OBERGITTER |
| 12 494977 | VENSTRE OPSTANDER | LH UPRIGHT | L. STAENDER |
| 13 14087800 | SÆTSKRUE GROV M10 X 40 MM | SET SCREW | SETZSCHRAUBE |
| 14 14410600 | MØTRIK M10 | NUT | MUTTER |
| 15 14440400 | SVÆR SKIVE 10.5 X 21 X 2 MM | WASHER | SCHEIBE |
| 16 14430500 | LÅSEMØTRIK M10 | LOCK NUT | GEGENMUTTER |
| 17 15312501 | GUMMISTROP 115 MM | RUBBER STRAP | GUMMISTROPP |
| 18 14510500 | SE 145-28400 | SEE 145-28400 | SIEHE 145-28400 |
| 19 14521000 | JERNSELIT Ø2 X 12 MM | SPLIT PIN | EISENSPLINT |
| 20 14083700 | SÆTSKRUE GROV M6 X 12 MM | SET SCREW | SETZSCHRAUBE |
| 21 14430100 | LÅSEMØTRIK M6 | LOCK NUT | GEGENMUTTER |
| 22 14085400 | SÆTSKRUE GROV M8 X 20 MM | SET SCREW | SETZSCHRAUBE |
| 23 14430300 | LÅSEMØTRIK M8 | LOCK NUT | GEGENMUTTER |
| 24 14089000 | SÆTSKRUE GROV M10 X 120 MM | SET SCREW | SETZSCHRAUBE |
| 25 14254900 | UNBRACO MC 6 X 16 MM | UNBRACO SCREW | UNBRACOSCHRAUBE |
| 26 17880001 | GUMMIDØRHOLDER MED PROP | RUB. DOOR HOLDER W/PLUG | GUMMITUERHALTER M/PROFF |
| 27 14430100 | LÅSEMØTRIK M6 | LOCK NUT | GEGENMUTTER |
| 28 14255200 | UNBRACO MC 6 X 22 MM | UNBRACO SCREW | UNBRACOSCHRAUBE |
| 29 14430700 | LÅSEMØTRIK M12 | LOCK NUT | GEGENMUTTER |

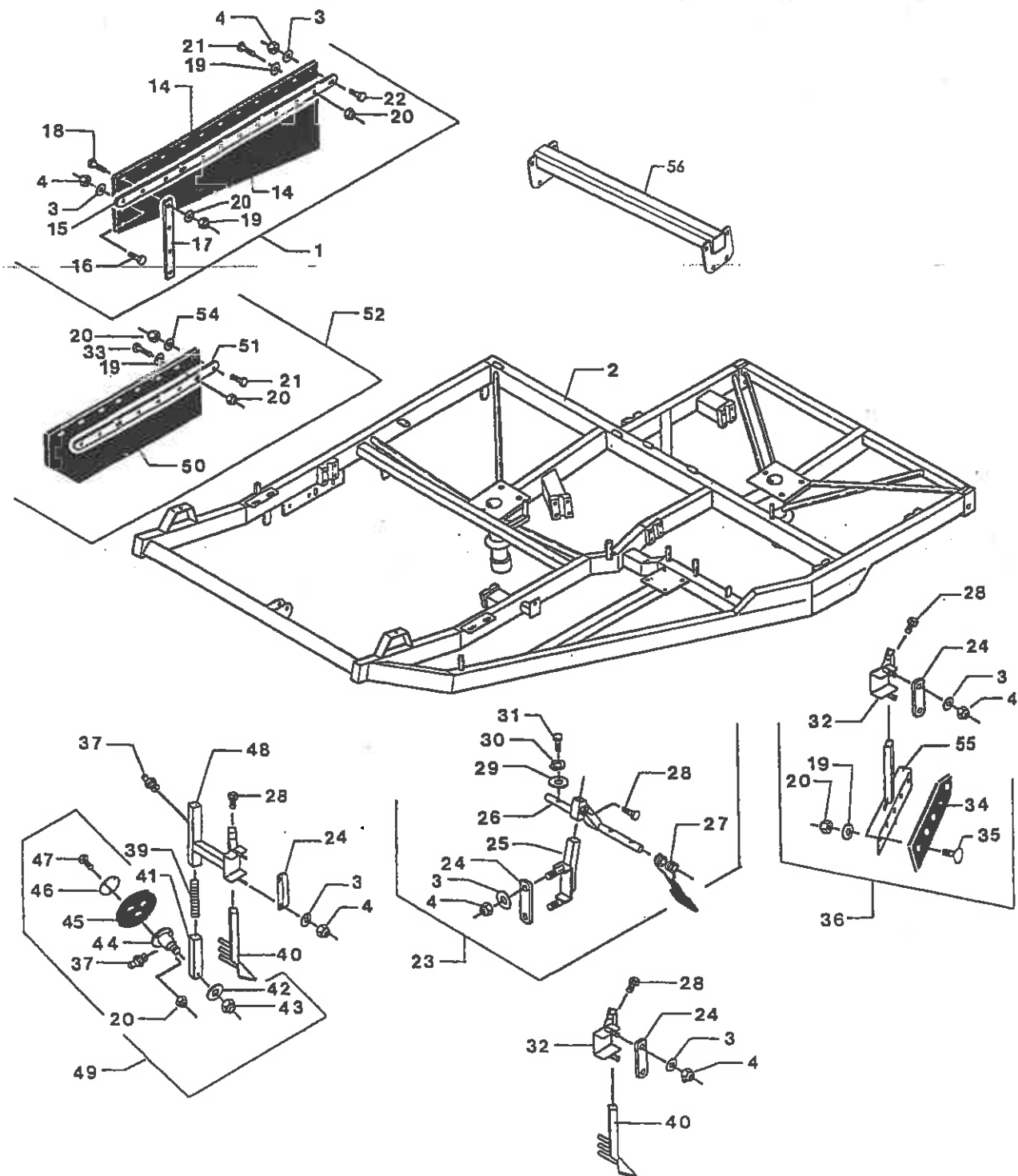


Reguleringscylinder f/holl. ba

Adj. ram f/Dutch rear

Regulierzyl. f/Holl.-Hi.

| | | | |
|-------------|-------------------------------------|--------------------|---------------------|
| 1 444729 | CYLINDER KPL. E/42/30-625/770 | CYLINDER CPL | ZYLINDER KPL |
| 1 350523 | PAKNINGSSÆT E42/30 | GASKET SET | DICHTSATZ |
| 2 445135 | CYLINDERROER KPL. | CYLINDER TUBE CPL. | ZYLINDERROER KPL. |
| 3 14413310 | MØTRIK MF20 X 1 MM | NUT | MUTTER |
| 4 351519 | MANCHETHOLDER - ENK. Ø42/Ø20 X 30MM | SLEEVE HOLDER | HALTER F/MANSCHETTE |
| 5 13345100 | NUTRING 42 X 30 X 10 MM | OIL SEAL | MANSCHETTE |
| 6 443762 | SKIVE FOR Ø42 CYL. | DISC | SCHIEBE |
| 7 351513 | STOPRING Ø35/Ø31 X 50 MM | STOP RING | HALTERING |
| 8 13315600 | O-RING Ø49.2 X 5.7 MM | O-RING | O-RING |
| 9 491592 | TOPMØTRIK Ø50 | TOP NUT | KOPFMUTTER |
| 10 13314000 | O-RING Ø29.75 X 3.53 MM | O-RING | O-RING |
| 11 13387000 | AFSTRYGGER 30 X 40 X 7/10 MM | WIPER | ABSTREIFER |
| 12 445136 | STEMPELSTANG Ø30 X 589 MM | PISTON ROD | KOLBENSTANGE |
| 13 14408610 | STÅLMØTRIK UNF 1" | STEEL NUT | STAHLMUTTER |
| 14 445137 | STEMPELHOVED NV36 X 150 MM | PISTON HEAD | KOLBENKOPF |
| 23 13311400 | O-RING Ø15.3 X 2.4 MM | O-RING | O-RING |
| 27 14091010 | SETSKRUE GROV M12 X 110 MM | SET SCREW | SETZSCHRAUBE |
| 31 14430700 | LÅSEMØTRIK M12 | LOCK NUT | GEGENMUTTER |



Beslag i undermaskine

Fitting, undermachine

Beschlag, Untermaschine

| | | | |
|-------------|-----------------------------------|-------------------------|--------------------------|
| 1 473036 | H. GUMMISKERM KPL. | RH RUBBER GUARD CPL | R. GUMMISCHIRM KPL |
| 2 491060 | UNDERMASKINE | MAIN FRAME | HAUPTTRAHMEN |
| 3 14453000 | SVÆR SKIVE 1/2" | WASHER | SCHLEIBE |
| 4 14430700 | LÅSEMØTRIK M12 | LOCK NUT | GEGENMUTTER |
| 14 2380014 | GUMMISKERM 1600 X 400 X 6 MM | RUBBER GUARD | GUMMISCHIRM |
| 15 477095 | BESLAG FOR GUMMI | MOUNTING F/RUBBER | BESCHLAG F/GUMMI |
| 16 14089900 | SETSKRUE GROV M12 X 40 MM | SET SCREW | SETZSCHRAUBE |
| 17 491759 | BESLAG F/GUMMI | CLAMP F/RUBBER | BESCHLAG F/GUMMI |
| 18 14085600 | SETSKRUE GROV M8 X 30 MM | SET SCREW | SETZSCHRAUBE |
| 19 14450100 | LET SKIVE 1/4" | WASHER | SCHLEIBE |
| 20 14430300 | LÅSEMØTRIK M8 | LOCK NUT | GEGENMUTTER |
| 21 14085500 | SETSKRUE GROV M8 X 25 MM | SET SCREW | SETZSCHRAUBE |
| 22 14090000 | SETSKRUE GROV M12 X 45 MM | SET SCREW | SETZSCHRAUBE |
| 23 501211 | ROEBREMSE -89 | BEEB BRAKE 1989 AND OLD | RUEBENBREMSE 1989 UND FR |
| 24 491579 | BESLAG 8 X 65 X 180 MM | CLAMP | BESCHLAG |
| 25 444504 | HOLDER FOR ROELEDER | HOLDER F. BEEB GUIDE | HALTER F/RUEBENLEITER |
| 26 501227 | ARM F. ROEBREMSE | ARM F/BEEB CHECK | ARM F/RUEBENBREMSE |
| 27 17868800 | GUMMIDASKER M. FJEDER | RUBBER PADDLE W/SPRING | GUMMI-PADDEL M/FEDER |
| 28 14162400 | TAPSETS KRUE GROV M16 X 35 MM | STUD SET SCREW | ZAPFSETZSCHRAUBE |
| 29 14440500 | SVÆR SKIVE 13 X 24 X 2.5 MM | WASHER | SCHLEIBE |
| 30 14462700 | CENTERFJEDERSKIVE M12 | SPRING WASHER | FEDERSCHLEIBE |
| 31 14089700 | SETS KRUE GROV M12 X 30 MM | SET SCREW | SETZSCHRAUBE |
| 32 491026 | SPENDEBESLAG F. GUMMISKERM | RUBBER GUARD CLAMP | SPANNBESCHLAG/GUM.SCHI. |
| 33 14085900 | SETS KRUE M8 X 45 MM | SET SCREW | SETZSCHRAUBE |
| 34 2380007 | GUMMISKERM 695 X 230 X 20 MM | RUBBER GUARD | GUMMISCHIRM |
| 35 14322000 | BRØDDEBOLT M8 X 35 MM | CARRIAGE BOLT | BOLZEN |
| 36 491416 | BAGESTE GUMMISKERM KPL. | REAR RUBBER GUARD CPL | HINT. GUMMISCHIRM KPL |
| 37 13840800 | SMØRENIPPEL LIGE M6 X 1 MM | GREASE NIPPLE STRAIGHT | SCHMIERNIPPEL GERADE |
| 39 14774000 | TRYK FJEDER Ø3 X Ø26.5 X 160 MM | COMPRESSION SPRING | DRUCKFEDER |
| 40 491339 | AFSKRABER V/KEGLE | SCRAPER BY CONE | ABSTREIFER A/KEGEL |
| 41 491629 | TAP F. OPSTANDER 30 X 30 X 250 MM | STUD F. UPRIGHT | ZAPFEN F. STAENDER |
| 42 14440600 | SVÆR SKIVE 17 X 30 X 3 MM | WASHER | SCHLEIBE |
| 43 14431000 | LÅSEMØTRIK M16 | LOCK NUT | GEGENMUTTER |
| 44 492743 | NAV KPL. F. RENSERULLE | HUB CPL F/CLEANING ROLL | NABE KPL F/REINIG.ROLLE |
| 45 2380300 | GUMMISKIVE | RUBBER DISC | GUMMISCHLEIBE |
| 46 492930 | RONDEL FOR GUMMIROLLE | CIRC. BLANK F/RUB. ROLL | RUNDELL F/GUMMIROLLE |
| 47 14085800 | SETS KRUE GROV M8 X 40 MM | SET SCREW | SETZSCHRAUBE |
| 48 491027 | SPENDEBESLAG F. RENSERULLE | CLAMP F. CLEANING ROLL | SPANNBESCHLAG/REIN.ROL. |
| 49 491360 | RENSERULLE M. NAV OG OPSTANDER | CLEAN. ROLL W/HUB+UPR. | REIN.-ROLLE M/NAV+STAE |
| 50 2380015 | GUMMISKERM 930 X 540 X 6 MM | RUBBER GUARD | GUMMISCHIRM |
| 51 477097 | BESLAG FOR GUMMI 5 X 40 X 900 MM | MOUNTING F/RUBBER | BESCHLAG F/GUMMI |
| 52 490734 | GUMMISKERM KPL. KORT | RUBBER GUARD CPL | GUMMISCHIRM KPL. |
| 54 14482800 | SPEC. SKIVE 35 X 8.5 X 3 MM | SPECIAL WASHER | SPEZIALSCHLEIBE |
| 55 491340 | HOLDER F. GUMMISKERM | RUBBER GUARD HOLDER | HALTER F/GUMMISCHIRM |

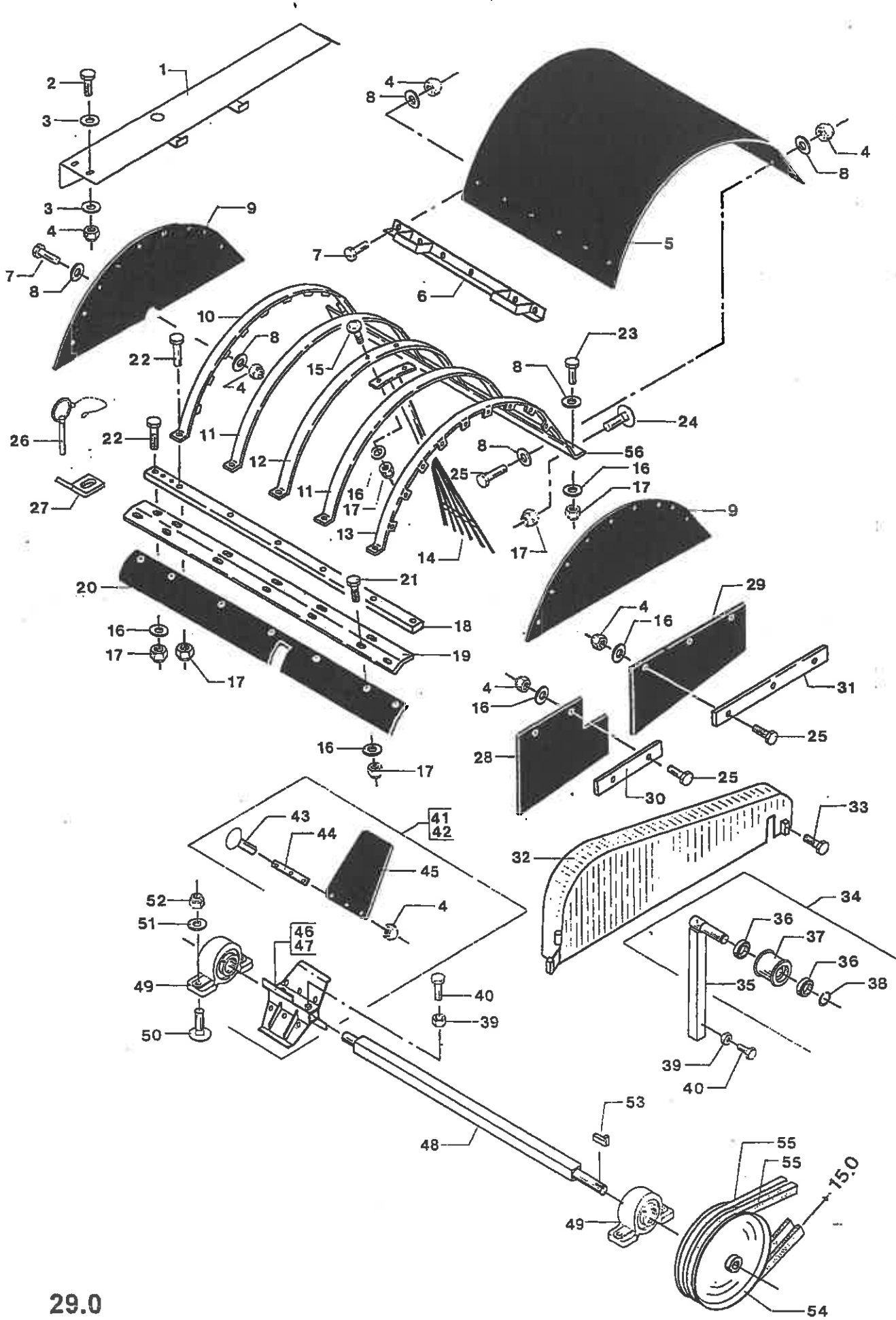
| Pos | Bestil nr. | Benævnelse | Description | Bezeichnung | Bemærkning |
|-----|------------|------------|-------------|-------------|------------|
| 56 | 88705690 | Bom | Bar | Stab | |

Tromle i undermaskine

Drum f/undermaschine

Trommel f/Untermaschine

| | | | |
|-------------|-----------------------------------|------------------------|------------------------|
| 1 14462700 | CENTERFJEDERSKIVE M12 | SPRING WASHER | FEDERSCHEIBE |
| 2 475072 | DEKSEL Ø133 X 4 MM | COVER | DECKEL |
| 3 13253403 | PAPIRSPAKNING Ø133 X Ø74 X 0.5 MM | PAPER SEAL | PAPIERDICHTUNG |
| 4 14644000 | SEGERING UDV. Ø 40 MM | CIRCLIP | SICHERUNGSRING |
| 5 15112400 | SPORKUGLELEJE ENREK. 6208-2RS | STEP BALL BEARING 1-R. | SPURKUGELLAGER 1-REIH. |
| 6 477458 | LEJEHUS | BEARING HOUSE | LAGERGEHÄUSE |
| 7 15112201 | SPORKUGLELEJE ENREK. 6208-RS | STEP BALL BEARING 1-R. | SPURKUGELLAGER 1-REIH. |
| 8 419066 | HYDR. TROMLE F. HJØRNE | HYDR. CORNER DRUM | HYDR. ECKTROMMEL |
| 9 13841000 | SMØRENIPPEN LIGE MF8 X 1 MM | GREASE NIPPLE STRAIGHT | SCHMIERNIPPEN GERADE |
| 10 491081 | BESLAG 8 X 65 X 150 MM | FITTING | BESCHLAG |
| 11 14453000 | SVER SKIVE 1/2" | WASHER | SCHEIBE |
| 12 14430700 | LÅSEMØTRIK M12 | LOCK NUT | GEGENMUTTER |
| 13 14150600 | TAPSETSKRUE GROV M12 X 35 MM | STUD SET SCREW | ZAPFSETZSCHRAUBE |
| 14 13718900 | OLIMOTOR OMP 200 | OIL MOTOR | ÖLMOTOR |
| 14 13719800 | PAKNINGSSET ALLE OMP | PACKING SET | DICHTSATZ |
| 15 14089700 | SETSKRUE GROV M12 X 30 MM | SET SCREW | SETZSCHRAUBE |
| 16 14607400 | PASSFEDER 8 X 7 X 32 MM | KEY | PASSFEDER |
| 17 491080 | OPHÆNG F. RULLE (100 MM) | SUSPENSION F/ROLL | AUFHÄNGUNG F/ROLLE |
| 18 491579 | BESLAG 8 X 65 X 180 MM | CLAMP | BESCHLAG |
| 19 14089500 | SETSKRUE GROV M12 X 20 MM | SET SCREW | SETZSCHRAUBE |
| 20 14410700 | MØTRIK M12 | NUT | MUTTER |

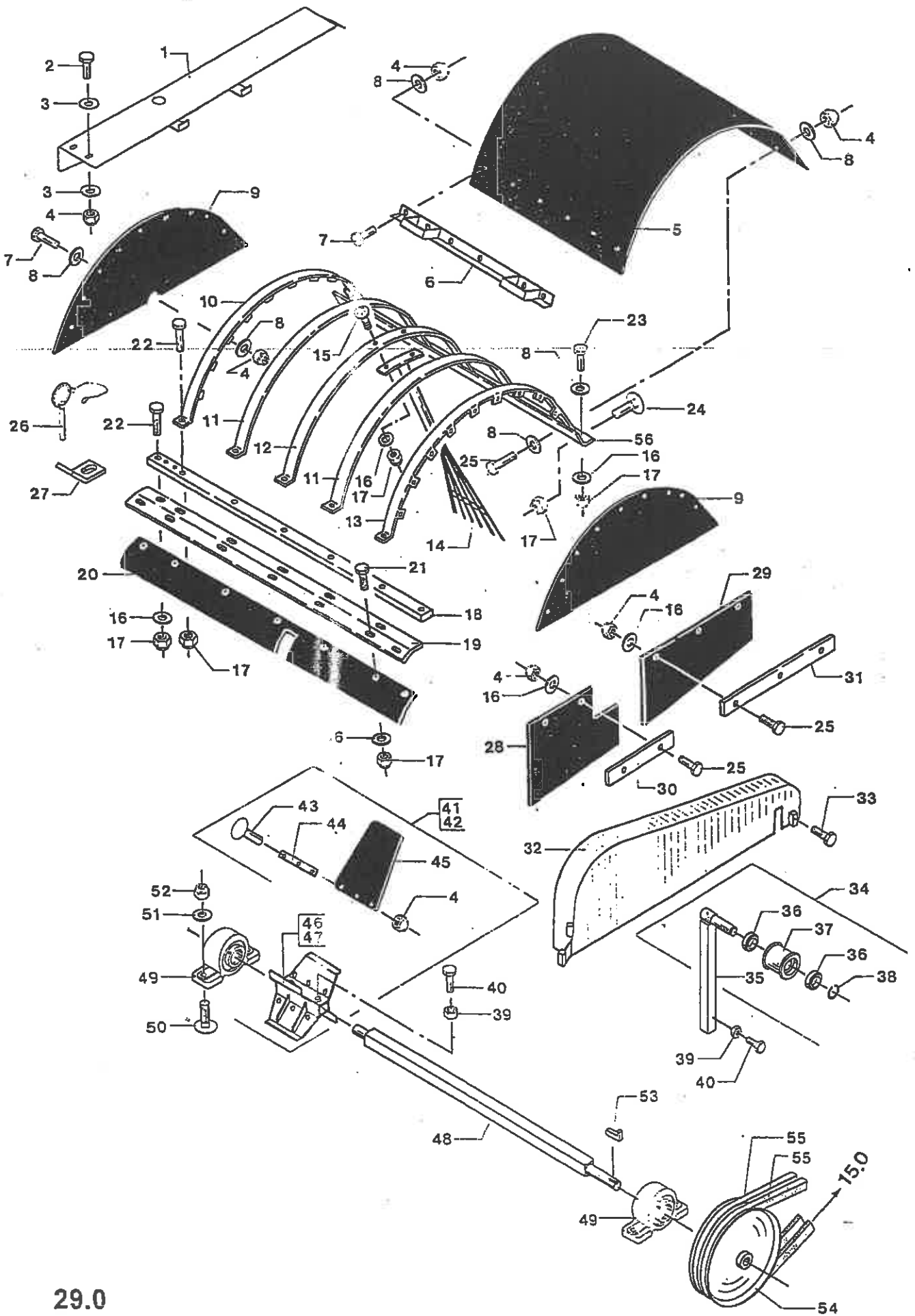


Gummidaskere + afdækning

Rubber paddles + cover

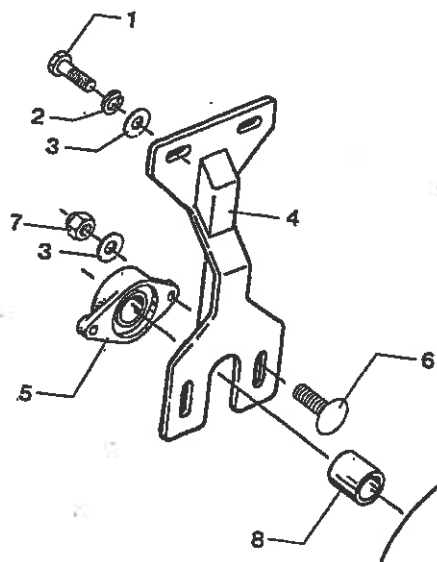
Gummipaddel + Abschirm.

| | | | |
|-------------|-------------------------------------|-------------------------|--------------------------|
| 1 494973 | FAST SKERM VED OPPELJUL | GUARD B/LIFTING WHEEL | SCHIRM A/OPPELRAD |
| 2 14322200 | BREDDEBOLT M8 X 45 MM | CARRIAGE BOLT | BOLZEN |
| 3 14442900 | PLAN SKIVE 6.4 X 12.5 X 1.6 MM | FACE PLATE | PLANSCHLEIBE |
| 4 14430300 | LÅSEMØTRIK M8 | LOCK NUT | GEGENMUTTER |
| 5 2380006 | GUMMISKERM 1310 X 820 X 6 MM | RUBBER GUARD | GUMMISCHIRM |
| 6 491344 | HÅNDTAG F. GUMMISKERM | RUBBER GUARD HANDLE | HANDGRIFF F/GUM.SCHIRM |
| 7 14085400 | SETSkrUE GROV M8 X 20 MM | SET SCREW | SETZSCHRAUBE |
| 8 14482800 | SPEC. SKIVE 35 X 8.5 X 3 MM | SPECIAL WASHER | SPEZIALSCHLEIBE |
| 9 2380200 | GUMMIENDESTYKKE | RUBBER END PIECE | GUMMIENDSTÜCK |
| 10 491337 | BÆREJERN HØJRE | SUPPORT RH | TRAGEISEN RECHTS |
| 11 491568 | BÆREJERN MIDT. | MIDDLE CARRYING IRON | TRAGEISEN MITTE |
| 12 493681 | BÆREJERN M/HULLER F. RIST | CARR.IRON W/HO. F/GRATE | TRAGEISEN M/LOE. F/ROST |
| 13 491338 | BÆREJERN VENSTRE | SUPPORT LH | TRAGEISEN LINKS |
| 14 493454 | LØS RIST MELLEM OPPELJUL | MOVABLE GRATE B/LI.WH. | ABNEHMB. ROST ZW/OPPEL |
| 15 14323900 | BREDDEBOLT M10 X 35 MM | CARRIAGE BOLT | BOLZEN |
| 16 14480200 | SPEC. SKIVE 25 X 8.5 X 2.0 MM | SPECIAL WASHER | SPEZIALSCHLEIBE |
| 17 14430500 | LÅSEMØTRIK M10 | LOCK NUT | GEGENMUTTER |
| 18 491498 | BÆREBJÆLKE F/GUMMI | CARRYING BEAM F/RUBBER | TRAGBALKEN F/GUMMI |
| 19 477234 | BESLAG FOR GUMMI 2 X 67 X 1060 MM | CLAMP F/RUBBER | BESCHLAG F/GUMMI |
| 20 477235 | GUMMISKERM 6 X 110 X 1060 MM | RUBBER GUARD | GUMMISCHIRM |
| 21 14087400 | SETSkrUE GROV M10 X 20 MM | SET SCREW | SETZSCHRAUBE |
| 22 14088000 | SETSkrUE GROV M10 X 50 MM | SET SCREW | SETZSCHRAUBE |
| 23 14088400 | SETSkrUE GROV M10 X 70 MM | SET SCREW | SETZSCHRAUBE |
| 24 14323700 | BREDDEBOLT M10 X 25 MM | CARRIAGE BOLT | BOLZEN |
| 25 14085500 | SETSkrUE GROV M8 X 25 MM | SET SCREW | SETZSCHRAUBE |
| 26 419223 | RINGSPLIT M/WIRE KPL. | EYE BOLT W/WIRE CPL | AUGENBOLZEN M/DRAHT KPL |
| 27 445288 | VINKELBESLAG 25 X 5 X 60 MM | ANGULAR FITTING | WINKELBESCHLAG |
| 28 477229 | GUMMISKERM 6 X 320 X 460/2 MM | RUBBER GUARD | GUMMISCHIRM |
| 29 477228 | GUMMISKERM 6 X 430 X 360/2 MM | RUBBER GUARD | GUMMISCHIRM |
| 30 477227 | BESLAG FOR GUMMI | BRACKET F/RUBBER | BESCHLAG F/GUMMI |
| 31 477226 | BESLAG FOR GUMMI 25 X 5 X 420 MM | BRACKET F/RUBBER | BESCHLAG F/GUMMI |
| 32 477432 | SKERM VED DREV F/DASKER | GUARD BY FLAP DRIVE | SCHIRM A/PADDELANTRIEB |
| 33 14159700 | TAPSETSkrUE GROV M10 X 20 MM | STUD SET SCREW | ZAPFSETZSCHRAUBE |
| 34 493829 | DOBB. STRAMMERULLE KPL. | DOUB. TENSION. ROLL CPL | DOPP. SPANNROLLE KPL |
| 35 493825 | BESLAG F. DOBB. STRAMMERULLE KPL. | MOUNTING CPL/DOUB.TI.R. | BESCHLAG KPL/DOP. SP-R. |
| 36 15110801 | SPORKUGLELEJE ENRÆK. 6005-2RS | STEP BALL BEARING 1-R. | SPURKUGELLAGER 1-REIH. |
| 37 477500 | RULLE FOR KILEREMSTRAMMER | ROLL F/V-BELT TENSIONER | ROLLE F/KEILRIEMENS PAN. |
| 38 14642500 | SEEGERRING UDV. Ø25 MM | CIRCLIP | SICHERUNGSRING |
| 39 14411100 | MØTRIK M16 | NUT | MUTTER |
| 40 14162400 | TAPSETSkrUE GROV M16 X 35 MM | STUD SET SCREW | ZAPFSETZSCHRAUBE |
| 41 446360 | HØJRE HOLDERØR MED GUMMIDASKER | PADDLE ASSEMBLY RH | HALTERØHR M/GUM.PAD. R. |
| 42 446362 | VENSTRE HOLDERØR MED GUMMIDASKER | PADDLE ASSEMBLY LH | HALTERØHR M/GUM.PAD. L. |
| 43 14322200 | BREDDEBOLT M8 X 45 MM | CARRIAGE BOLT | BOLZEN |
| 44 491527 | BESLAG FOR DASKER | PADDLE MOUNTING | PADDELBESCHLAG |
| 45 2380100 | GUMMIDASKER | RUBBER PADDLE | GUMMIPADDEL |
| 46 446299 | HOLDERØR FOR DASKER HØJRE | PADDLE SUPP. PIPE RH | HALTERØHR F/PADDEL R. |
| 47 446302 | HOLDERØR FOR DASKER VENSTRE | PADDLE SUPP. PIPE LH | HALTERØHR F/PADDEL L. |
| 48 491425 | AKSEL F. DASKER 1982 38 X 38 X 1440 | FLAP SHAFT | WELLE F/PADDEL |
| 49 15106000 | LEJEHUS F. STÅLEJE SY 506M | PEDEST. BEARING HOUSING | GEHAUSE F/STEHLAGER |
| 49 15107900 | LEJE F.FLANGE OG STÅLEJE YAR 206-2F | BEARING F/FLANGE+PED.B. | LAGER F/FL.+STEHLAGER |
| 49 15111200 | SPORKUGLELEJE ENRÆK. 6203-2RS | STEP BALL BEARING 1-R. | SPURKUGELLAGER 1-REIH. |
| 50 14090000 | SETSkrUE GROV M12 X 45 MM | SET SCREW | SETZSCHRAUBE |
| 51 14440500 | SVÆR SKIVE 13 X 24 X 2.5 MM | WASHER | SCHLEIBE |

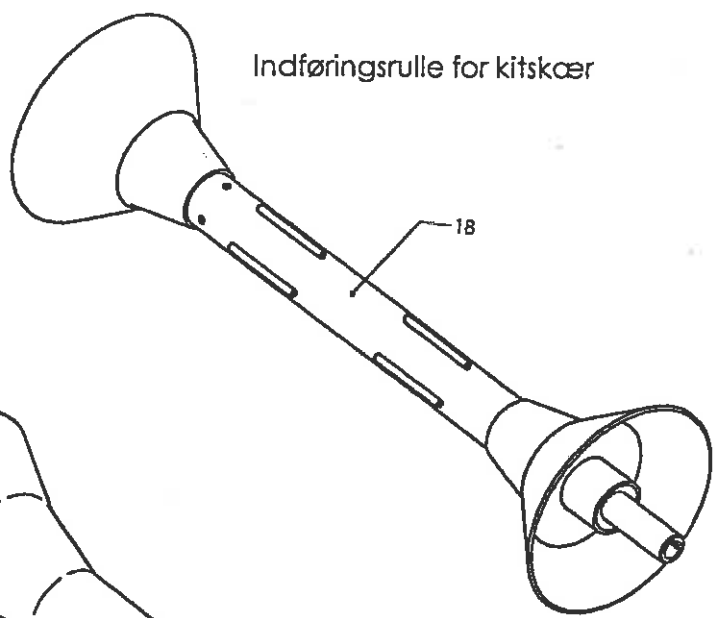


MIISA-TE120 / KRB/S-212 RESERVEDELSLISTE MED TILBEHØR
MIISA-TE120 / KRB/S-212 SPARE PARTS LIST WITH ACCESSORIES
MIISA-TE120 / KRB/S-212 ERSATZTEILLISTE MIT ZUBEHÖR

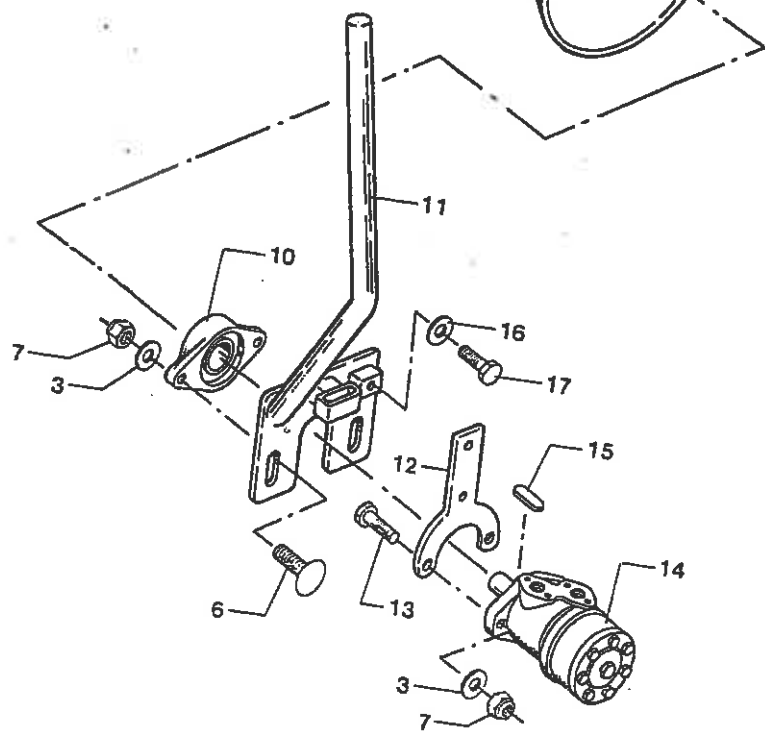
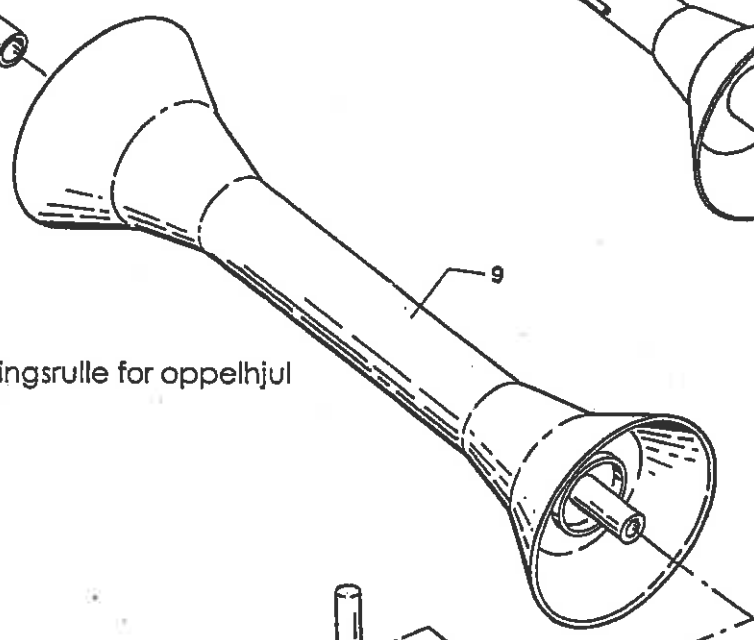
| | | | |
|-------------|----------------------------------|------------------------|--------------------------|
| 52 14430700 | LÅSEMØTRIK M12 | LOCK NUT | GEGENMUTTER |
| 53 14631300 | HÅGEKILE 8 X 7 X 45 MM | GIB KEY | NASENKEIL |
| 54 15247000 | KILEREMSKIVE 2C 400 Ø30 N8 PLADE | V-BELT PULLEY, PLATE | KEILRIEMENSCHIEBE, BLECH |
| 55 15263150 | KILEREM C100 (22 X 2550 MM) | V-BELT | KEILRIEMEN |
| 56 491683 | MONTAGEPLADE F. GUMMISKÆRM | BRACKET F/RUBBER GUARD | ANBAUPLATTE F/GU.SCHIRM |



Indføringsrulle for kitskær



Indføringsrulle for oppelhjul



MIISA-TE120 / KRB/S-212 RESERVEDELSLISTE MED TILBEHØR
 MIISA-TE120 / KRB/S-212 SPARE PARTS LIST WITH ACCESSORIES
 MIISA-TE120 / KRB/S-212 ERSATZTEILLISTE MIT ZUBEHÖER

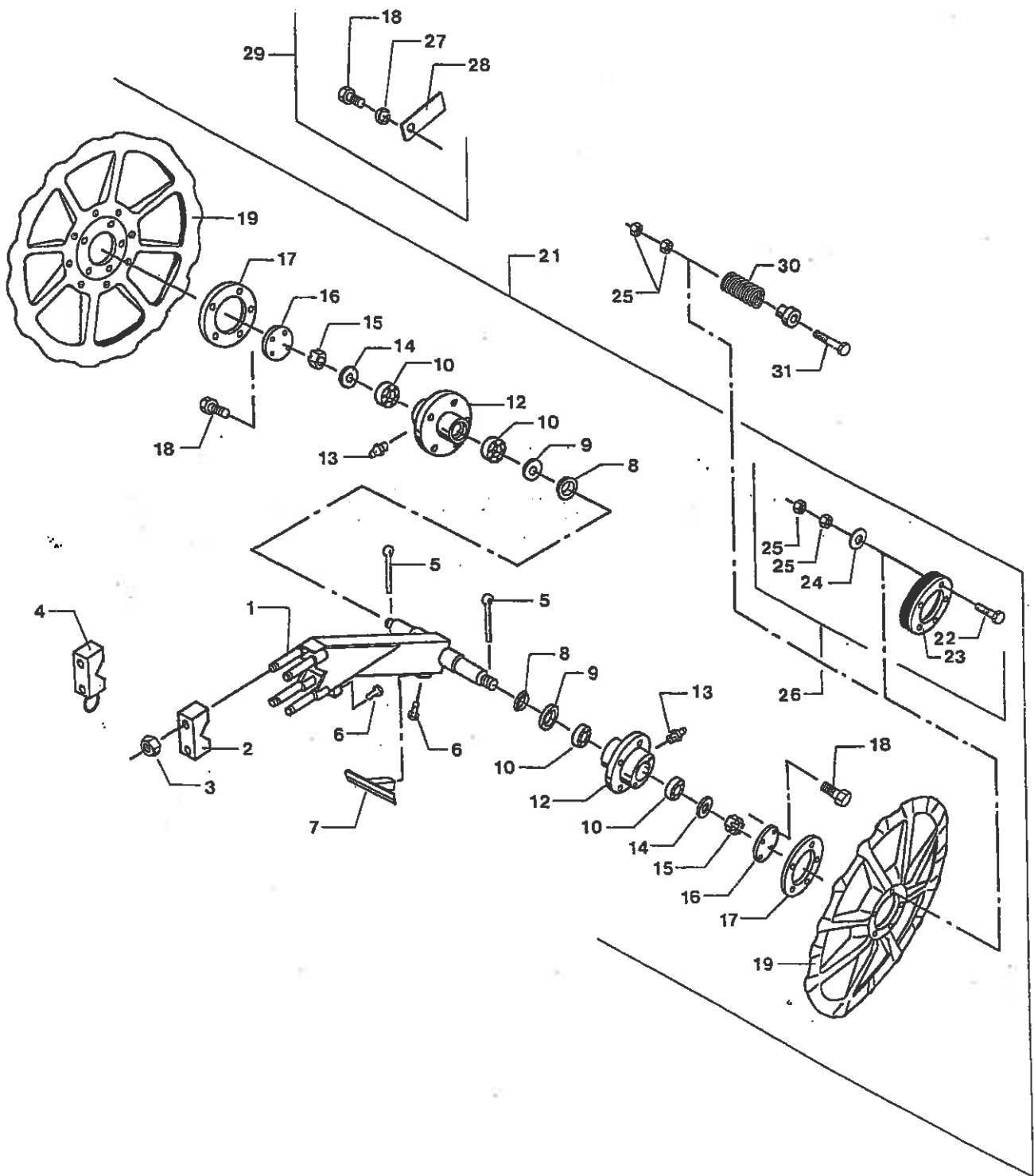
Hydr. indføringsrulle

Hydr. feeding rolle

Hydr. Einführungsrolle

| | | | | |
|----|----------|-------------------------------------|-------------------------|-------------------------|
| 1 | 14089600 | SETSKRUE GROV M12 X 25 MM | SET SCREW | SETZSCHRAUBE |
| 2 | 14462700 | CENTERFJEDERSKIVE M12 | SPRING WASHER | FEDERSCHEIBE |
| 3 | 14453000 | SVÆR SKIVE 1/2" | WASHER | SCHEIBE |
| 4 | 493365 | H. OPHÆNG F/INDFØRINGSRULLE | RH SUSP. F/FEED. ROLL | AUFH. R. F/EINF.-ROLLE |
| 5 | 15175500 | FLANGELEJE OVAL FYTB 30 TF | FLANGED BEARING, OVAL | FLANSCHENLAGER, OVAL |
| 5 | 15105400 | LEJEHUS FYTB 506M | BEARING HOUSING | LAGERGEHÄUSE |
| 5 | 15107900 | LEJE F.FLANGE OG STÅLEJE YAR 206-2F | BEARING F/FLANGE+PED.B. | LAGER F/FL.+STEHLAGER |
| 6 | 14325400 | BREDEBOLT M12 X 40 MM | CARRIAGE BOLT | BOLZEN |
| 7 | 14430700 | LÅSEMØTRIK M12 | LOCK NUT | GEGENMUTTER |
| 8 | 493709 | V. BØSNING PÅ INDFØRINGSRULLE | LH BUSH ON FEEDING ROLL | L. BUCHSE A/EINF.-ROLLE |
| 9 | 491781 | INDFØRINGSRULLE MIIS | FEEDING ROLLER | EINFUEHRUNGSROLLE |
| 10 | 15175700 | FLANGELEJE OVAL FYTB 40 TF | FLANGED BEARING, OVAL | FLANSCHENLAGER, OVAL |
| 10 | 15108100 | LEJE F.FLANGE OG STÅLEJE YAR 208-2F | BEARING F/FLANGE+PED.B. | LAGER F/FL.+STEHLAGER |
| 10 | 15105600 | LEJEHUS FL 208 | BEARING HOUSING | LAGERGEHÄUSE |
| 11 | 491776 | V. OPHÆNG F. INDFØRINGSRULLE | LH SUSP. F/FEED. ROLL | AUFH. L. F/EINF.-ROLLE |
| 12 | 492979 | BESLAG F. OLIEMOTOR | FITTING F. OIL MOTOR | BESCHLAG F. OELMOTOR |
| 13 | 14090000 | SETSKRUE GROV M12 X 45 MM | SET SCREW | SETZSCHRAUBE |
| 14 | 13718900 | OLIEMOTOR OMP 200 | OIL MOTOR | OELMOTOR |
| 14 | 13719800 | PAKNINGSSET ALLE OMP | PACKING SET | DICHTSATZ |
| 15 | 14607400 | PASSFEDER 8 X 7 X 32 MM | KEY | PASSFEDER |
| 16 | 14440500 | SVÆR SKIVE 13 X 24 X 2.5 MM | WASHER | SCHEIBE |
| 17 | 14100400 | SETSKRUE GROV M14 X 35 MM | SET SCREW | SETZSCHRAUBE |

| Pos | Bestil nr. | Benævnelse | Description | Bezeichnung | Bemærkning |
|-----|------------|-----------------------------|----------------|-------------------|-------------|
| 18 | 88690420 | Indføringsrulle for kitskær | Feeding roller | Einfuehrungsrolle | For kitskær |

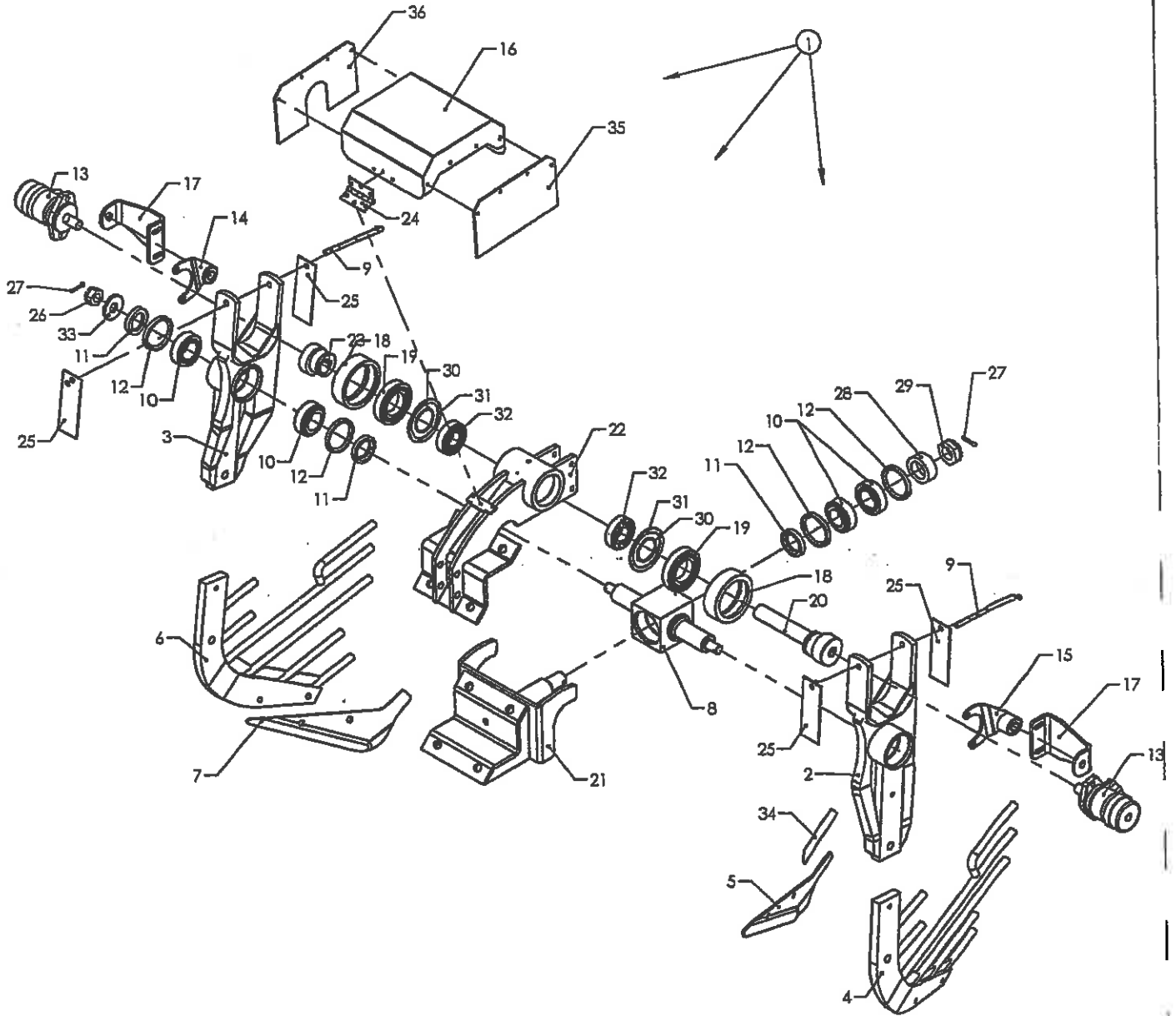


Oppelhjul

Lifting wheel

Oppelrad

| | | | |
|-------------|-------------------------------------|-------------------------|-------------------------|
| 1 491496 | OPSTANDER | UPRIGHT | STAENDER |
| 2 471219 | FORRESTE SPENDEBESLAG | FRONT CLAMP | VORD. SPANNBESCHLAG |
| 3 14433905 | LÅSEMØTRIK M/NYLON MF22 X 1.5 MM | LOCK NUT W/NYLON | GEGENMUTTER M/NYLON |
| 4 444592 | SPENDEBESLAG M/RING | CLAMP FITTING W/RING | SPANNBESCHLAG M/RING |
| 5 14525400 | JERNSPILT Ø4 X 40 MM | SPLIT PIN | EISENSPLINT |
| 6 14162400 | TAPSETS KRUE GROV M16 X 35 MM | STUD SET SCREW | ZAPFSETZSCHRAUBE |
| 7 491372 | KNIV | KNIFE | MESSER |
| 8 13374700 | TETNINGSPLADE HDL45 Ø72.4/52.5 | SEAL RING | DICHTPLATTE |
| 9 13333200 | SIMMERRING 55 X 75 X 10 MM | OIL SEAL | OELFANGRING |
| 10 15194000 | R-LEJE KON.TIMKEN 102949/910 Ø45/80 | CONE ROLLER BEARING | KEGELROLLENLAGER |
| 12 491317 | NAV F. OPPELHJUL | LIFTING WHEEL HUB | OPPELADNABE |
| 13 13816500 | SMØRENIPPEL LIGE 1/4" BSP | GREASE NIPPLE STRAIGHT | SCHMIERNIPPEL GERADE |
| 14 491520 | UNDERLAGSSKIVE Ø70 X Ø26 X 9 MM | WASHER | UNTERLAGSSCHEIBE |
| 15 491884 | KRONEMØTRIK M24, AFDREJET | CASTELLATED NUT | KRONEMUTTER |
| 16 491518 | DÆKSEL FOR NAV | HUB COVER | DECKEL F/NABE |
| 17 491600 | AFSTANDSSKIVE Ø195/Ø118 X 6 MM | SPACER | ABSTANDSSCHEIBE |
| 18 14258000 | UNBRACO MC 10 X 16 MM | UNBRACO SCREW | UNBRACOSCHRAUBE |
| 19 492906 | OPPELHJUL D=710 MM | LIFTING WHEEL | OPPELAD |
| 21 493615 | OPSTANDER M/OPPELHJUL - GB-D | STALK W/LIFTING WHEEL | STAENDER M/OPPELAD |
| 22 14049000 | MASKINBOLT GROV M14 X 120 MM | BOLT | BOLZEN |
| 23 501257 | GUMMISKIVE | RUBBER DISK | GUMMISCHIEBE |
| 24 14440600 | SVÆR SKIVE 17 X 30 X 3 MM | WASHER | SCHIEBE |
| 25 14410900 | MØTRIK M14 | NUT | MUTTER |
| 26 501858 | GUMMISKIVER - STENUDLØSNING -91 | RUBBER DISC SET CPL | SATZ GUMMISCHIEBE KPL |
| 27 14462600 | CENTERFJEDERSKIVE M10 | SPRING WASHER | FEDERSCHIEBE |
| 28 491731 | EKSTRA EGER TIL OPPELHJUL | EXTRA SPOKE/LIFT. WHEEL | EXTRA SPEICHE/OPPELAD |
| 29 501108 | SET EGER MED BOLTE (1 RÆKKE) | SPOKE SET W/BOLTS 1 ROW | SPEICHSATZ M/BOLZ. 1 R. |
| 30 14778906 | TRYKFJEDER Ø9 X Ø41 X 84 MM | COMPRESSION SPRING | DRUCKFEDER |
| 31 14049500 | MASKINBOLT GROV M14 X 180 MM | BOLT | BOLZEN |

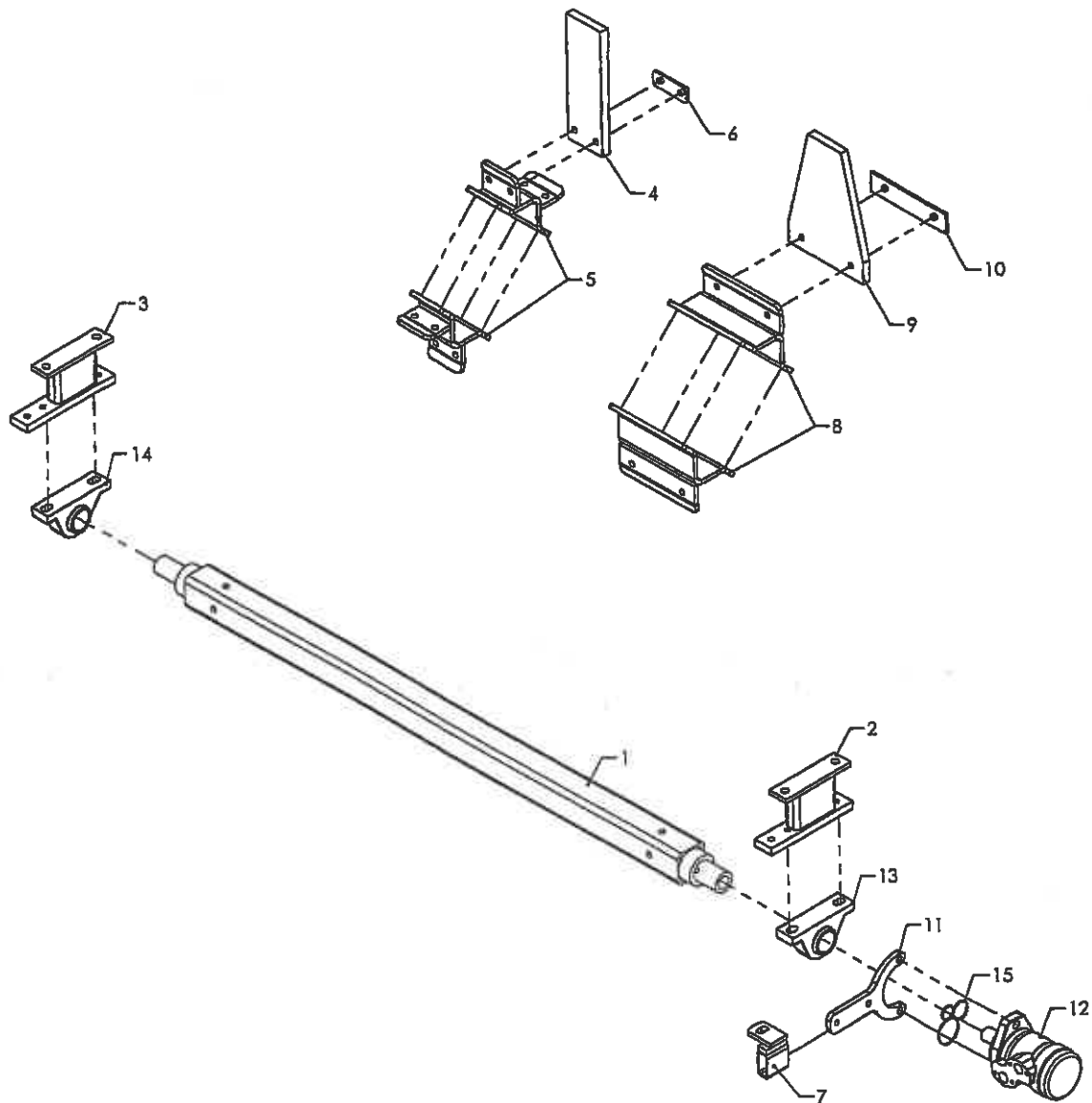


Roeoptager

| Pos | Bestll nr. | Benævneelse | Description | Bezeichnung | Bemærkning |
|-----|------------|----------------------|----------------------|----------------------|--------------|
| 1 | 29702740 | Kitskær 1 rk. kpl. | Share 1 rk. Cpl. | Schar 1 rk. kpl. | |
| 2 | 446657 | Opstander venstre | Uprighe left | Stander links | |
| 3 | 446656 | Opstander højre | Upright right | Staender rechts | |
| 4 | 446733 | Kitskær venstre | Share left | Schar links | |
| 5 | 19410084 | Skær | Share | Schar | |
| 6 | 446732 | Kitskær højre | Share right | Schar rechts | |
| 7 | 19410085 | Skær | Share | Schar | |
| 8 | 446456 | Ophæng | Suspension | Aftaeng | |
| 9 | 446467 | Gevingstang | Rod | Stange | |
| 10 | 15147510 | Konisk rulleleje | Ball bearing | Kugellager | 33210 |
| 11 | 446466 | Sildring | Wearing | Verschleisscheibe | |
| 12 | 13338810 | Simmering | Seal | Dichtung | 75x95x10 |
| 13 | 851002 | Oilmotor | Oilmotor | Ölmotor | OMP-80 ø25 |
| 14 | 29645590 | Gaffelbeslag højre | Clevis fitting right | Gabelbeschlag rechts | |
| 15 | 29645570 | Gaffelbeslag venstre | Clevis fitting left | Gabelbeschlag links | |
| 16 | 29695400 | Skærm | Screen | Schirm | |
| 17 | 29694580 | Plade | Plate | Platte | |
| 18 | 446462 | Ring | Ring | Ring | |
| 19 | 500806 | Kugleleje | Ball bearing | Kugellager | 6213-2RS |
| 20 | 29686870 | Aksel | Shaft | Welle | |
| 21 | 29677120 | Akselkonsol | Console | Konsole | |
| 22 | 29677160 | Løjerørskonsol | Console | Konsole | |
| 23 | 446909 | Excentrik | Eccenter | Exzenter | |
| 24 | 15315100 | Hængsel | Holder | Holder | |
| 25 | 446436 | Slidplade | Plate | Platte | |
| 26 | 14438510 | Kronemøtrik | Nut | Mutter | MF24x1,5 |
| 27 | 910766 | Spilt | Split | Splint | ø5x50 |
| 28 | 446463 | Bøsning | Bush | Buchse | |
| 29 | 14439610 | Kronemøtrik | Nut | Mutter | M36x1,5 |
| 30 | 14653000 | Seegering | Snap ring | Sicherungsring | U-65 |
| 31 | 14688620 | Seegering | Snap ring | Sicherungsring | I-120 |
| 32 | 500817 | Kugleleje | Ball bearing | Kugellager | 6308-2RS |
| 33 | 491520 | Skive | Washer | Scheibe | |
| 34 | 29702820 | Tap | Rod | Stange | Ekstraudstyr |
| 35 | 29704410 | Gummiskærm | Rubber screen | Gummi schirm | |
| 36 | 29709050 | Gummiskærm | Rubber screen | Gummi schirm | |



Dasker for kitskær



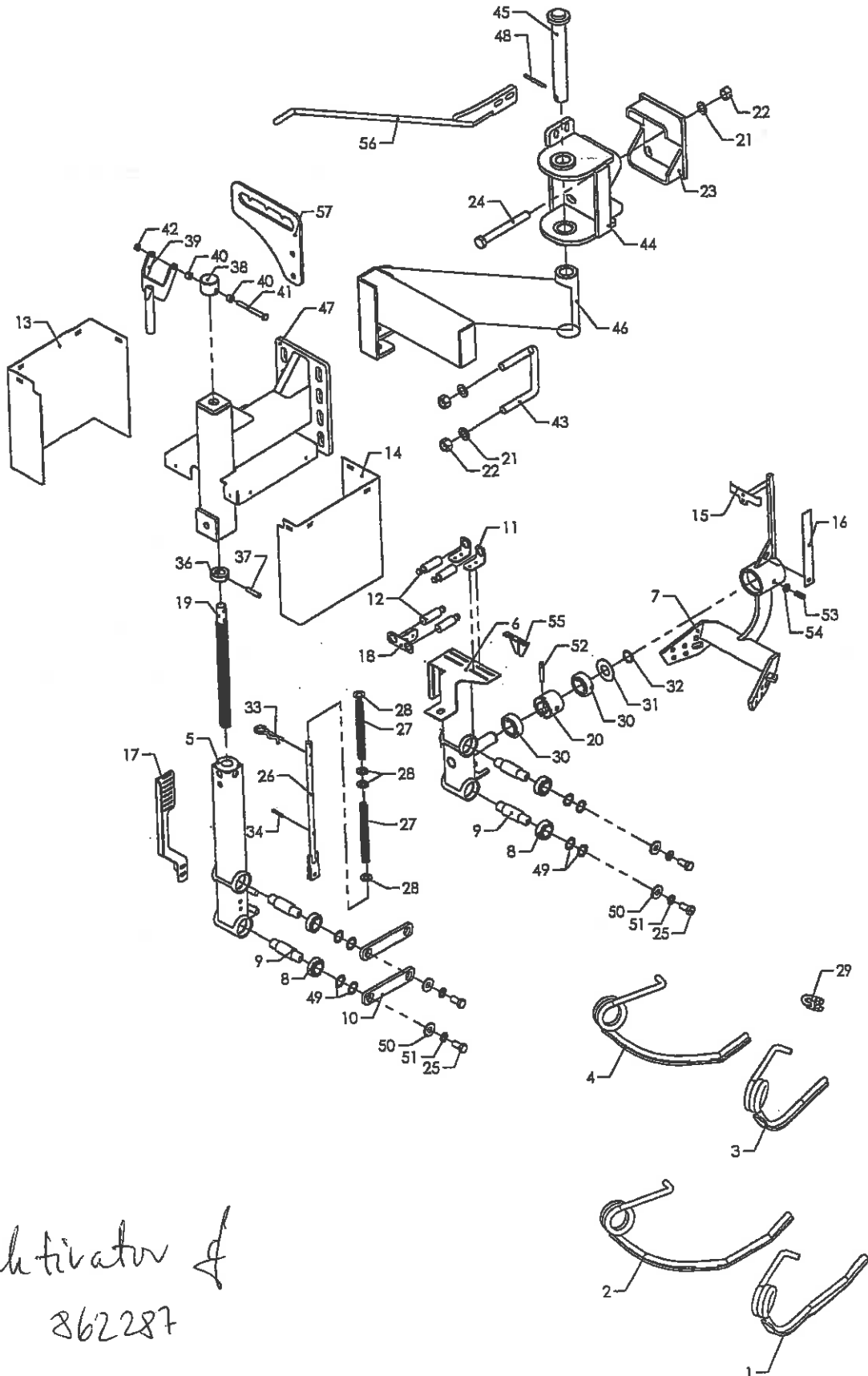
Roeoptager

446751-1

| Pos | Bestil nr. | Benævnelse | Description | Bezeichnung | Bemærkning |
|-----|-------------------|------------------------|-----------------------|--------------------------|-------------|
| 1 | 446751 | Aksel for dasker | Paddel bar | Paddelbaum | 2 rk. |
| 2 | 446775 | Ophæng for daskeraksel | Suspension attachment | Aufh. f. Welle f. Paddel | |
| 3 | 446776 | Ophæng for daskeraksel | Suspension attachment | Aufh. f. Welle f. Paddel | |
| 4 | 17868980 | Dasker, lille | Paddle, small | Paddel, klein | |
| 5 | 29695610 | Daskerbeslag | Suspension f. paddle | Beschlag v. Paddel | |
| 6 | 88700310 | Spændebeslag | Fitting | Beschlag | |
| 7 | 446880 | Holder | Holder | Halter | |
| 8 | 88701820 | Daskerbeslag | Suspension f. paddle | Beschlag v. Paddel | |
| 9 | 17868982 | Dasker, stor | Paddle, big | Paddel, Gross | |
| 10 | 446506 | Spændebeslag | Fitting | Beschlag | |
| 11 | 492979 | Beslag | Suspension | Beschlag | |
| 12 | 13719300 | Oliemotor | Oilmotor | Ölmotor | OMR-315-ø25 |
| 13 | 15169000 | Ståleje | Pedestal bearing | Stehlager | SY-40 TR |
| 14 | 500953 | Ståleje | Pedestal bearing | Stehlager | SY-35 TF |
| 15 | 851090 | Pakningssæt | Gasket | Packung | OMR ø25 |



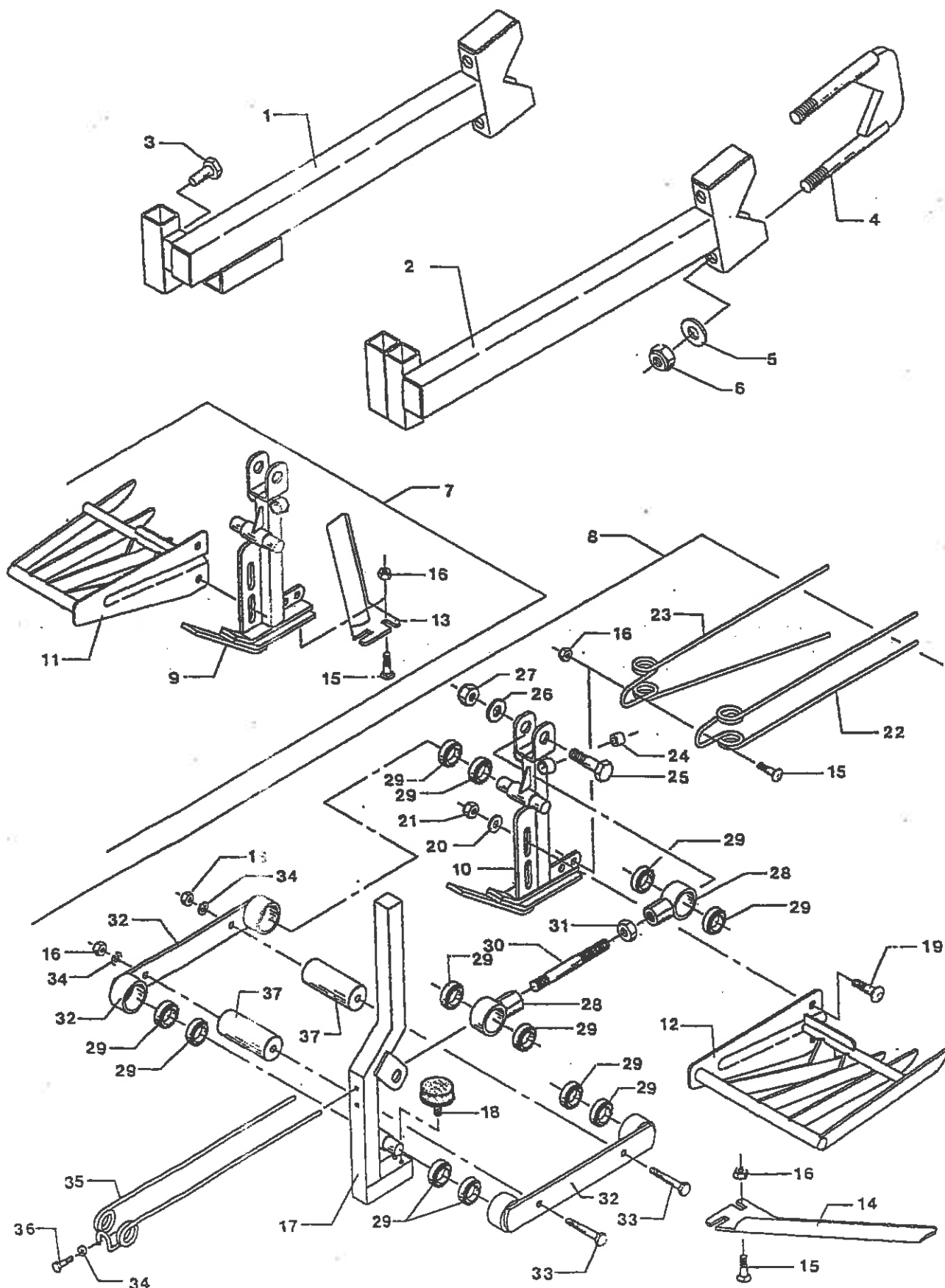
TT-sidestyr



elaktivator af
TT 862287

Roeoptager

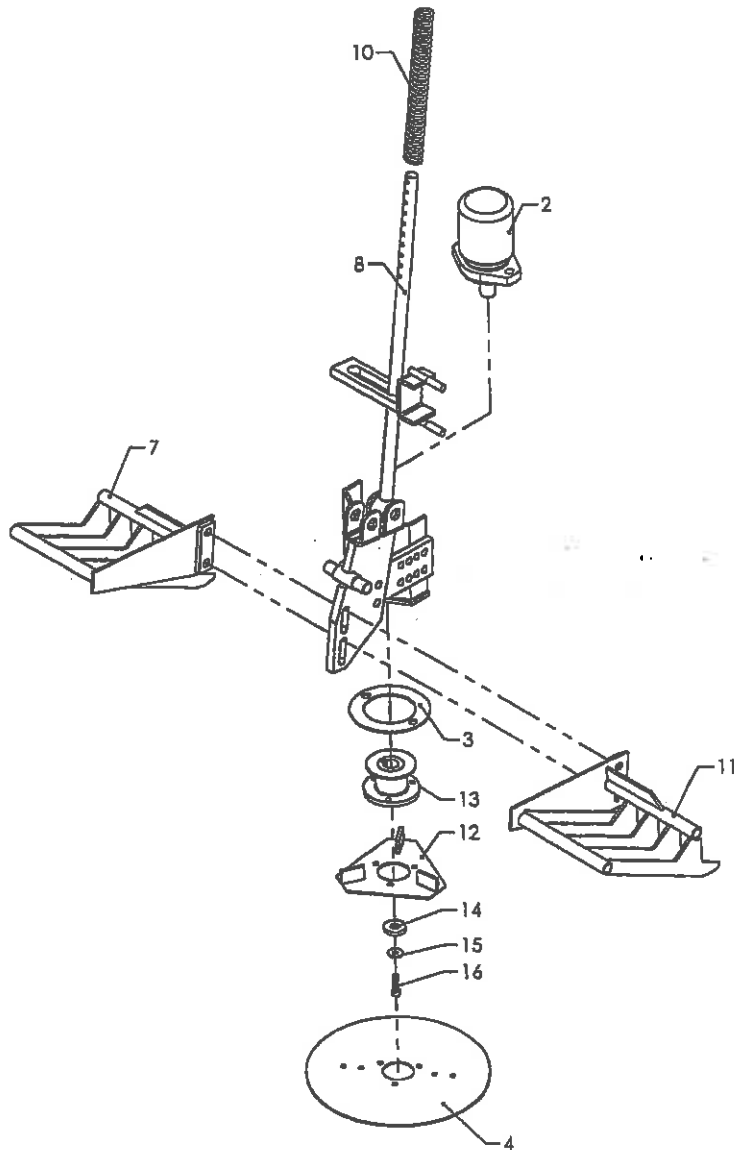
| Pos | Bestil nr. | Benævnelse | Description | Bezeichnung | Bemærkning |
|-----|------------|--------------------|-----------------------|----------------|------------|
| 1 | 88706832 | Føler, venstre | Feeler, left | Fühler, Links | Lang |
| 2 | 88706831 | Føler, højre | Feeler, right | Fühler, Rechts | Lang |
| 3 | 29690190 | Føler, venstre | Feeler, left | Fühler, Links | Kort |
| 4 | 29690180 | Føler, højre | Feeler, right | Fühler, Rechts | Kort |
| 5 | 88699040 | Holder | Holder | Halter | |
| 6 | 29698140 | Holder | Holder | Halter | |
| 7 | 29698150 | Ophængskonsol | Console | Konsole | |
| 8 | 500785 | Kugleleje | Ball bearing | Kugellager | 6004-2RS |
| 9 | 26491590 | Aksel | Shaft | Welle | |
| 10 | 29697780 | Arm | Arm | Arm | |
| 11 | 29697800 | Beslag | Suspension | Beschlag | |
| 12 | 12848001 | Inductiv føler | Switch | Sensor | |
| 13 | 29699810 | Skærm | Cover | Deckel | |
| 14 | 29698110 | Skærm | Cover | Deckel | |
| 15 | 88698080 | Aftasterplade | Plate | Platte | |
| 16 | 26497090 | Fieder | Spring | Feder | |
| 17 | 29697840 | Beslag | Suspension | Beschlag | |
| 18 | 29695870 | Beslag | Suspension | Beschlag | |
| 19 | 29481040 | Spindel | Spindle | Spindel | |
| 20 | 600427 | Gummidæmper | Rubber damping device | Gummidämpfer | |
| 21 | 1930909 | Spændeskive | Washer | Scheibe | M16 |
| 22 | 1930010 | Møtrik | Nut | Mutter | M16 |
| 23 | 26475060 | Spændebeslag | Suspension | Beschlag | |
| 24 | 1922712 | Stålbolt | Bolt | Bolzen | M16x140 |
| 25 | 1922650 | Bolt | Bolt | Bolzen | M12x25 |
| 26 | 88698130 | Stang | Rod | Stange | |
| 27 | 14771700 | Fieder | Spring | Feder | |
| 28 | 1930907 | Spændeskive | Washer | Scheibe | M12 |
| 29 | 14847300 | Wirelås | | | 7/16" |
| 30 | 500798 | Kugleleje | Ball bearing | Kugellager | 6205-2RS |
| 31 | 800251 | Tætningsring | Ring | Ring | |
| 32 | 932025 | Seegering | Snap ring | Sicherungsring | U-25 |
| 33 | 910329 | R-splint | R-split | R-Splint | ø5 |
| 34 | 911368 | Rørspændstift | Roller pin | Rohrstift | ø5x30 |
| 35 | 1923077 | Stålsætskrue | Screw | Schraube | M8x20 |
| 36 | 63404541 | Stopring | Ring | Ring | |
| 37 | 911572 | Rørstift | Roller pin | Stift | ø8x40 |
| 38 | 34486450 | Nav | Hub | Naben | |
| 39 | 28621580 | Spindellåsehåndtag | Handle | Handgriff | |
| 40 | 30476500 | Bøsning | Bush | Buchse | |
| 41 | 1920166 | Bolt | Bolt | Bolzen | M8x80 |
| 42 | 1930802 | Låsemøtrik | Nut | Mutter | M8 |
| 43 | 26497180 | Spændebøjle | Clamp | Bügel | |
| 44 | 29698180 | Beslag | Suspension | Beschlag | |
| 45 | 29698120 | Bolt | Bolt | Bolzen | |
| 46 | 29698170 | Ophæng | Suspension | Aufhängung | |
| 47 | 29698200 | Konsol | Console | Konsole | |
| 48 | 911426 | Rørstift | Roller pin | Stift | ø6x60 |
| 49 | 932419 | Tætningsring | Ring | Ring | |
| 50 | 1930927 | Spændeskive | Washer | Scheibe | M12 - svær |
| 51 | 1930947 | Fjederskive | Spring washer | Federscheibe | M12 |
| 52 | 911574 | Rørstift | Roller pin | Stift | ø8x50 |
| 53 | 1905451 | Pinolskrue | Screw | Schraube | M10x25 |
| 54 | 1930855 | Kontramøtrik | Nut | Mutter | M10 |
| 55 | 29690210 | Styreplade | Suspension | Beschlag | |
| 56 | 88700140 | Indikatorarm | Arm | Arm | |
| 57 | 88700160 | Indikatorplade | Plate | Platte | |



| Afpudser | Scalper | Nachkoepfer | |
|-------------|--------------------------------------|-------------------------|--------------------------|
| 1 477037 | BESLAG F/STYRING+AFFUDS. L=622 MM-D | FITTING F/SCALP.+STEER. | BESCHL./NACHK.+STEUER. |
| 1 491404 | BESLAG F/STYR.+AFP. L=490MM DK-S-NL | FITTING F/SCALP.+STEER. | BESCHL./NACHK.+STEUER. |
| 2 477038 | BESLAG F/AFFUDSER L=622 MM - D | FITTING F/SCALPER - D | BESCHLAG F/NACHKOEPPER |
| 2 491462 | BESLAG F/AFFUDSER L=490 MM DK-S-NL | FITTING F/SCALPER | BESCHLAG F/NACHKOEPPER |
| 3 14162400 | TAPSETSKRUE GROV M16 X 35 MM | STUD SET SCREW | ZAPFSETZSCHRAUBE |
| 4 490008 | BAGESTE BESLAG FOR LEDESKINNE | REAR CLAMP F/GUIDE RAIL | HINT. BESCHLAG/LEITSCH |
| 5 14440800 | SVER SKIVE 21 X 37 X 3 MM | WASHER | SCHIEBE |
| 6 14431400 | LÅSEMØTRIK M20 | LOCK NUT | GEGENMUTTER |
| 7 420286 | HØJRE AFFUDSER, FORKRØPP. OPSTANDER | SCALPER RH, CRANK UPRI. | NACHKOEPPER R, VERKR.ST. |
| 8 420287 | VENSTRE AFFUDSER, FORKRØP.OPSTANDER | LH SCALPER, CRANK UPRI. | L. NACHKOEPPER, VERKR.ST |
| 9 420313 | HØJRE HOLDER FOR LEDER OG KNIV | RH HOLDER F/GUIDE+KNIFE | R. HALTER F/LEIT.+MESS. |
| 10 420312 | VENSTRE HOLDER FOR LEDER OG KNIV | LH HOLDER F/GUIDE+KNIFE | L. HALTER F/LEIT.+MESS. |
| 11 501003 | HØJRE LEDER-KPL. | GUIDE RH CPL | LEITER R KPL |
| 12 501004 | VENSTRE LEDER KPL. | GUIDE LH CPL | LEITER L KPL |
| 13 501326 | KNIV HØJRE F. AFFUDSER 501-660 | KNIFE RH F/SCALPER | MESSER R. F/NACHKOEPPER |
| 14 501325 | KNIV VENSTRE F. AFFUDSER 501-661 | KNIFE LH F/SCALPER | MESSER L. F/NACHKOEPPER |
| 15 14323700 | BRØDEBOLT M10 X 25 MM | CARRIAGE BOLT | BOLZEN |
| 16 14430500 | LÅSEMØTRIK M10 | LOCK NUT | GEGENMUTTER |
| 17 477470 | OPSTANDER | UPRIGHT | STAENDER |
| 18 17876500 | METALASTIK BUFFER Ø51 X 19 MM | RUBBER BUFFER W/BOLT | GUMMIPUFFER M/BOLZEN |
| 19 14325100 | BRØDEBOLT M12 X 25 MM | CARRIAGE BOLT | BOLZEN |
| 20 14440500 | SVER SKIVE 13 X 24 X 2.5 MM | WASHER | SCHIEBE |
| 21 14430700 | LÅSEMØTRIK M12 | LOCK NUT | GEGENMUTTER |
| 22 14792700 | DOBB. PICK-UP FJEDER INDV. Ø4.5X310 | DOUB. INNER SPRING | DOPP. INNENFEDER |
| 23 14792600 | DOBB. PICK-UP FJEDER UDV. Ø4,5X310 | DOUB. OUTER SPRING | DOPP. AUSSENFEDER |
| 24 17899999 | SLIDEBØSNING F/AFFUDSER Ø18/Ø10X15MM | WEARING BUSH | VERSCHLEISSBUCHSE |
| 25 14094700 | SETSKRUE GROV M20 X 55 MM | SET SCREW | SETZSCHRAUBE |
| 26 14440800 | SVER SKIVE 21 X 37 X 3 MM | WASHER | SCHIEBE |
| 27 14431400 | LÅSEMØTRIK M20 | LOCK NUT | GEGENMUTTER |
| 28 420301 | LEJEHUS FÆRDIG BEARBEJDET | BEARING HOUSING | LAGERGEHÆUSE |
| 29 15110400 | SPORKUGLELEJE ENREK. 6004-RS | STEP BALL BEARING 1-R. | SPURKUGELLAGER 1-REIH. |
| 30 420304 | AKSEL MED GEVIND Ø14.4 X 200 MM | SHAFT W/THREADING | WELLE M/GEWINDE |
| 31 14411100 | MØTRIK M16 | NUT | MUTTER |
| 32 501297 | VIPPEARM | FLAP ARM | KIPPEARM |
| 33 14045200 | MASKINBOLT GROV M10 X 120 MM | BOLT | BOLZEN |
| 34 14440400 | SVER SKIVE 10.5 X 21 X 2 MM | WASHER | SCHIEBE |
| 35 14792721 | DOBB. PICK-UP FJEDER INDV. Ø4.5X355 | DOUB. INNER SPRING | DOPP. INNERFEDER |
| 36 14085400 | SETSKRUE GROV M8 X 20 MM | SET SCREW | SETZSCHRAUBE |
| 37 501869 | AFSTANDSRØR Ø40 X 97 MM | SPACER | ABSTANDROHR |



Roterende afpudser

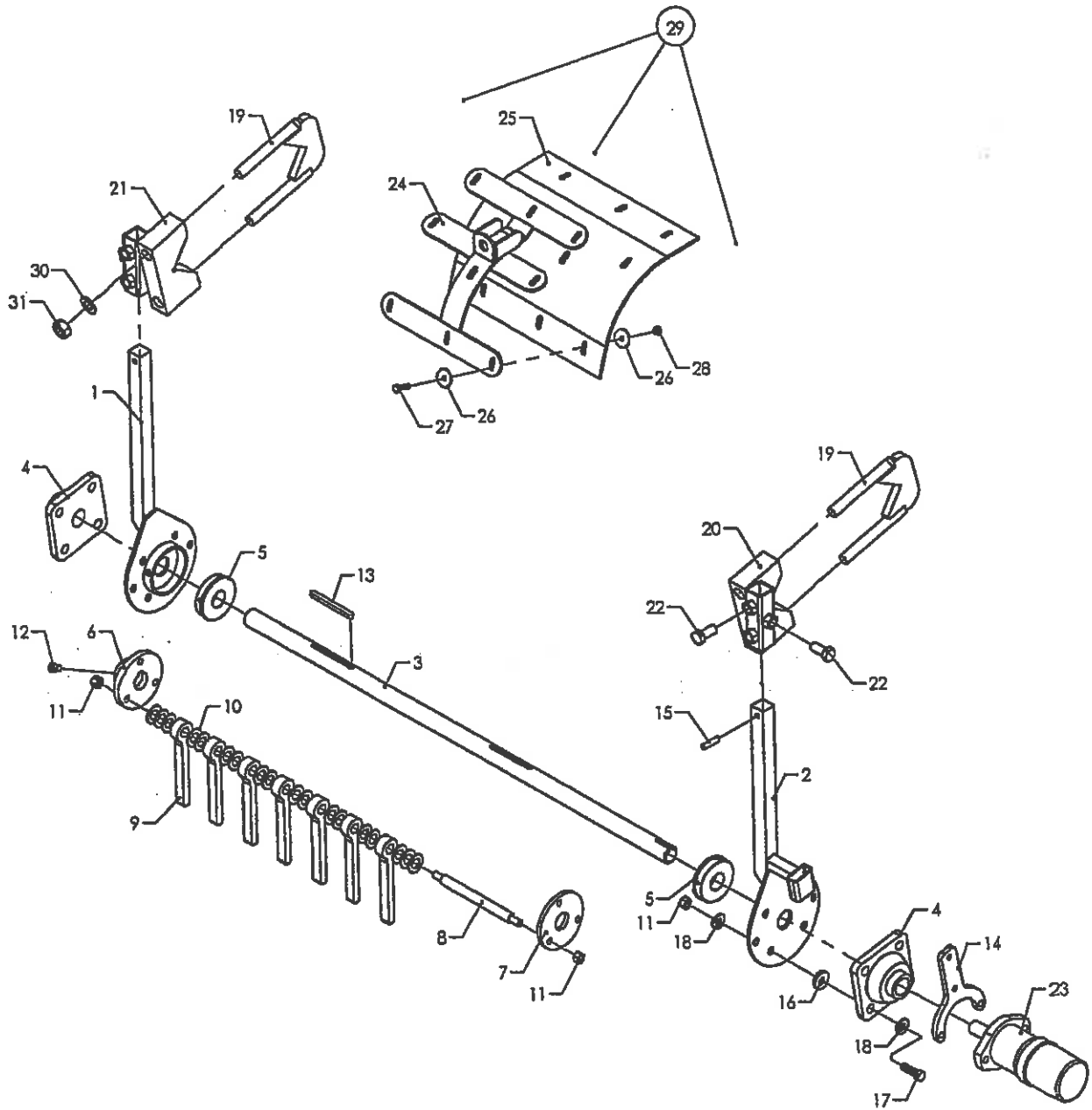


Roeoptager

| Pos | Bestil nr. | Benævnelse | Description | Bezeichnung | Bemærkning |
|-----|------------|--------------------|--------------|-----------------|---------------------|
| 2 | 851035 | Oliemotor | Oilmotor | Ö motor | OMP 32 - ø25 m.dræn |
| 3 | 477618 | Skive | Washer | Scheibe | |
| 4 | 477578 | Skive for afpudser | Washer | Scheibe | |
| 7 | 477629 | Leder, højre | Guide, right | Leiter, Rechts | |
| 8 | 477640 | Aksel | Shaft | Welle | |
| 10 | 14775028 | Fjeder | Spring | Feder | |
| 11 | 477628 | Leder, venstre | Guide, left | Leiter, Links | |
| 12 | 477768 | Plade | Plate | Platte | |
| 13 | 477772 | Nav | Hub | Nabe | |
| 14 | 461041 | Svær skive | Thick disc | Schwere scheibe | ø35/ø13x6 |
| 15 | 1930904 | Spændeskive | Washer | Scheibe | M8 |
| 16 | 1905535 | Unbracoskrue | Screw | Schraube | MC8x30 |

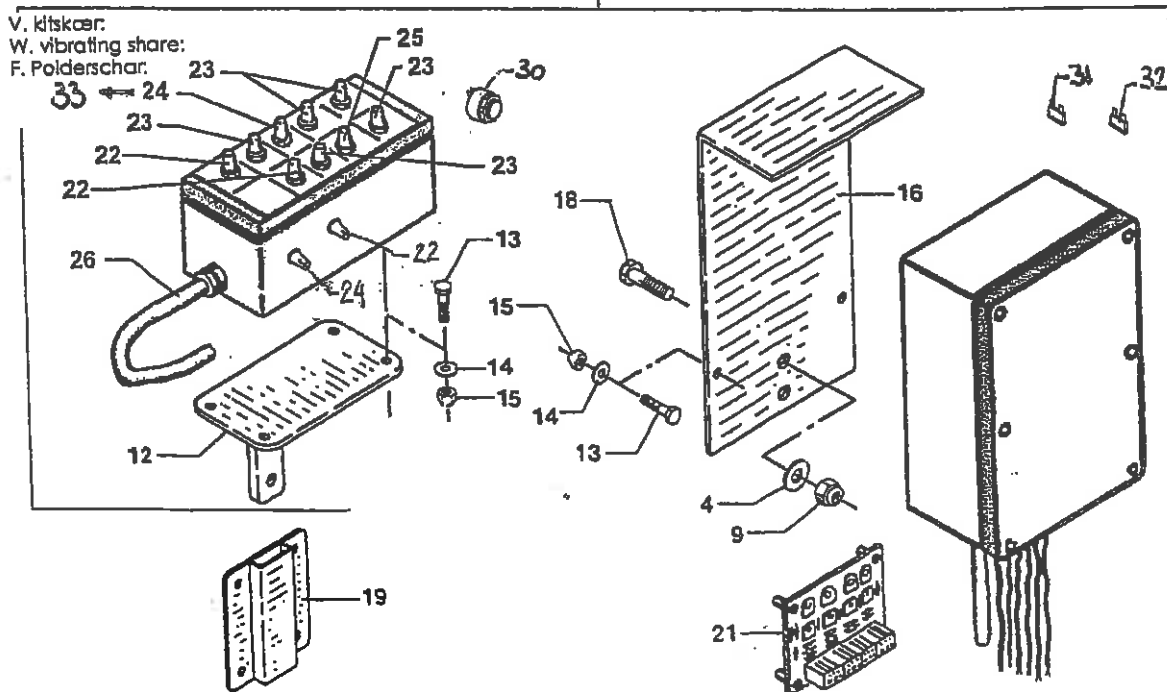
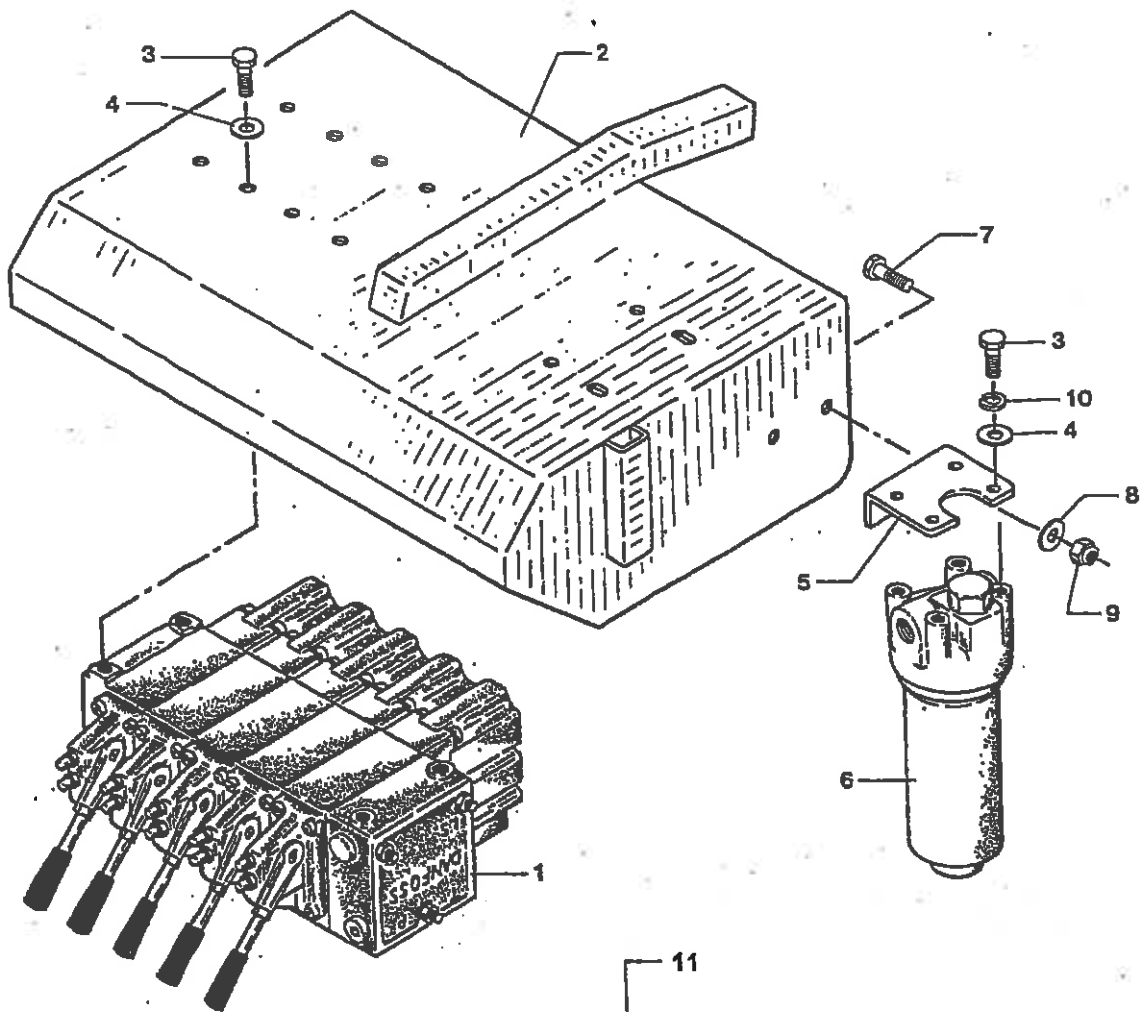


Langsgående slaglepudser



Roeoptager

| Pos | Bestil nr. | Benævnelse | Description | Bezeichnung | Bemærkning |
|-----|------------|-------------------------------|----------------------|---------------------|-------------|
| 1 | 501690 | Højre lejeplade | Bearing plade, right | Lagerplatte, Rechts | |
| 2 | 490830 | Ophæng, venstre | Suspension, left | Beschlag, Links | |
| 3 | 88700210 | Aksel | Shaft | Welle | 1120 mm. |
| 4 | 15162302 | Flangeleje | Flanged bearing | Flanschenlager | FY 35 WR |
| 5 | 494948 | Tætningskive | Seal washer | Dichtscheibe | |
| 6 | 501178 | Flange m. bøsning | Flange w. bush | Flansch m. Buchse | |
| 7 | 501766 | Flange | Flange | Flansch | |
| 8 | 501770 | Aksel | Shaft | Welle | |
| 9 | 27811910 | Gummidasker | Rubber flails | Putzer | |
| 10 | 14440800 | Skive | Washer | Scheibe | |
| 11 | 1930805 | Låsemøtrik | Nut | Mutter | M12 |
| 12 | 1905547 | Unbrakoskrue | Unbrako screw | Unbrakoschraube | M10x16 |
| 13 | 1488355 | Passfeder | Key | Passfeder | |
| 14 | 492979 | Beslag | Suspension | Beschlag | |
| 15 | 911672 | Rørstift | Roller pin | Stift | ø10x40 |
| 16 | 461041 | Svær skive | Thick disc | Schwere scheibe | ø35/ø13x6 |
| 17 | 1923155 | Stålsætskrue | Screw | Schraube | M12x40 |
| 18 | 1930927 | Spændeskive | Washer | Scheibe | M12 - svær |
| 19 | 490008 | Bageste beslag for ledeskinne | Rear clamp | Hintere Beschlag | |
| 20 | 501693 | Beslag, højre | Mounting, r | Beschlag, R | |
| 21 | 501694 | Beslag, venstre | Mounting, L | beschlag, L | |
| 22 | 14162400 | Bolt | Bolt | Bolzen | M16x35 |
| 23 | 851004 | Ollemotor | Oil motor | Öl-Motor | OMP-50. ø25 |
| 24 | 501961 | Bøje | Bow | Buegel | |
| 25 | 2380018 | Gummliskærm | Rubber guard | Gummschirm | |
| 26 | 14482800 | Skive | Washer | Scheibe | ø35xø8,5/3 |
| 27 | 1923079 | Stålsætskrue | Screw | Schraube | M8x30 |
| 28 | 1930802 | Låsemøtrik | Nut | Mutter | M8 |
| 29 | 420217 | Gummliskærm, kpl. | Rubber guard, cpl. | Gummschirm, Kpl. | |
| 30 | 1930930 | Spændeskive | Washer | Scheibe | M20 |
| 31 | 1930809 | Låsemøtrik | Nut | Mutter | M20 |



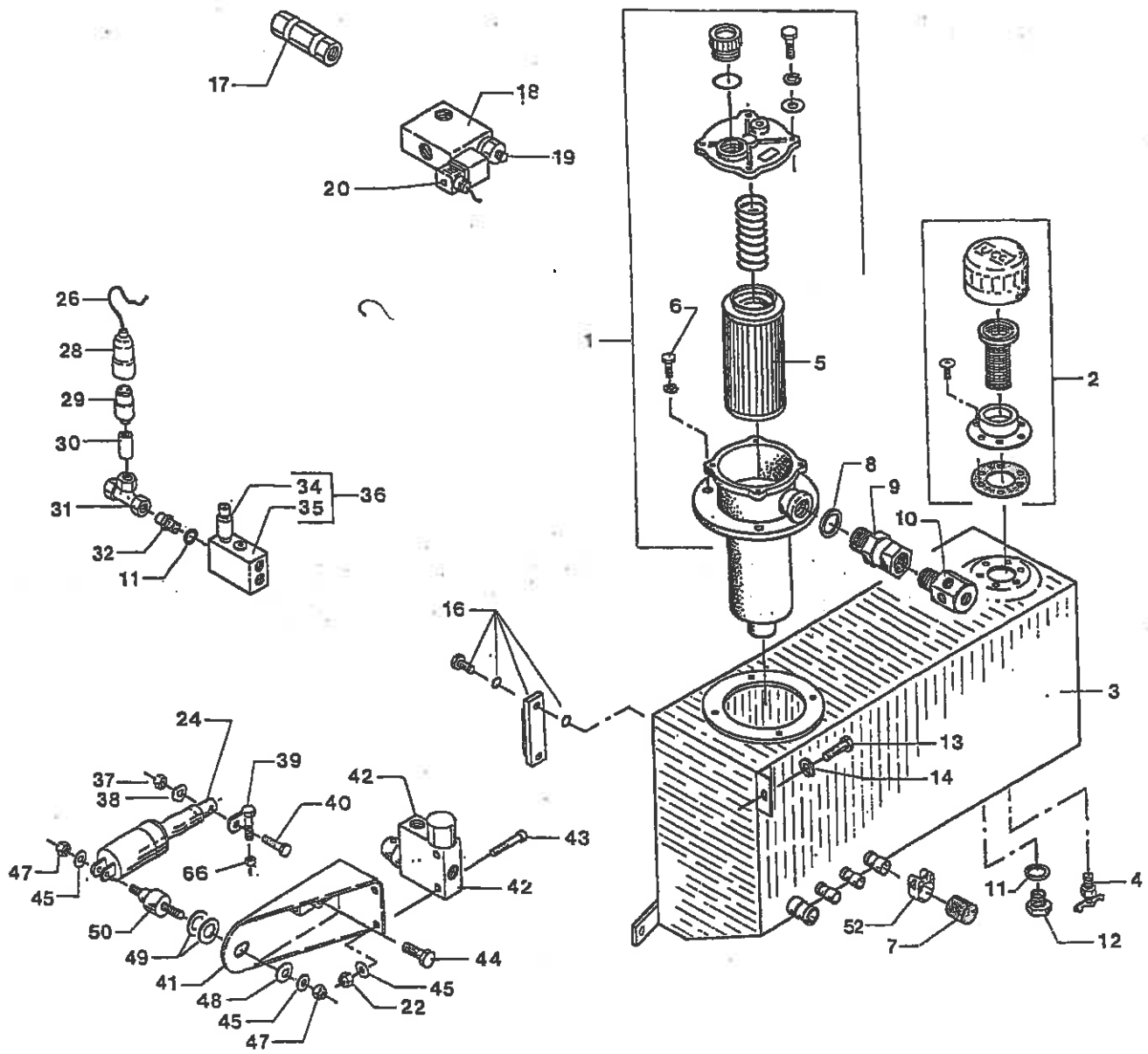
El box

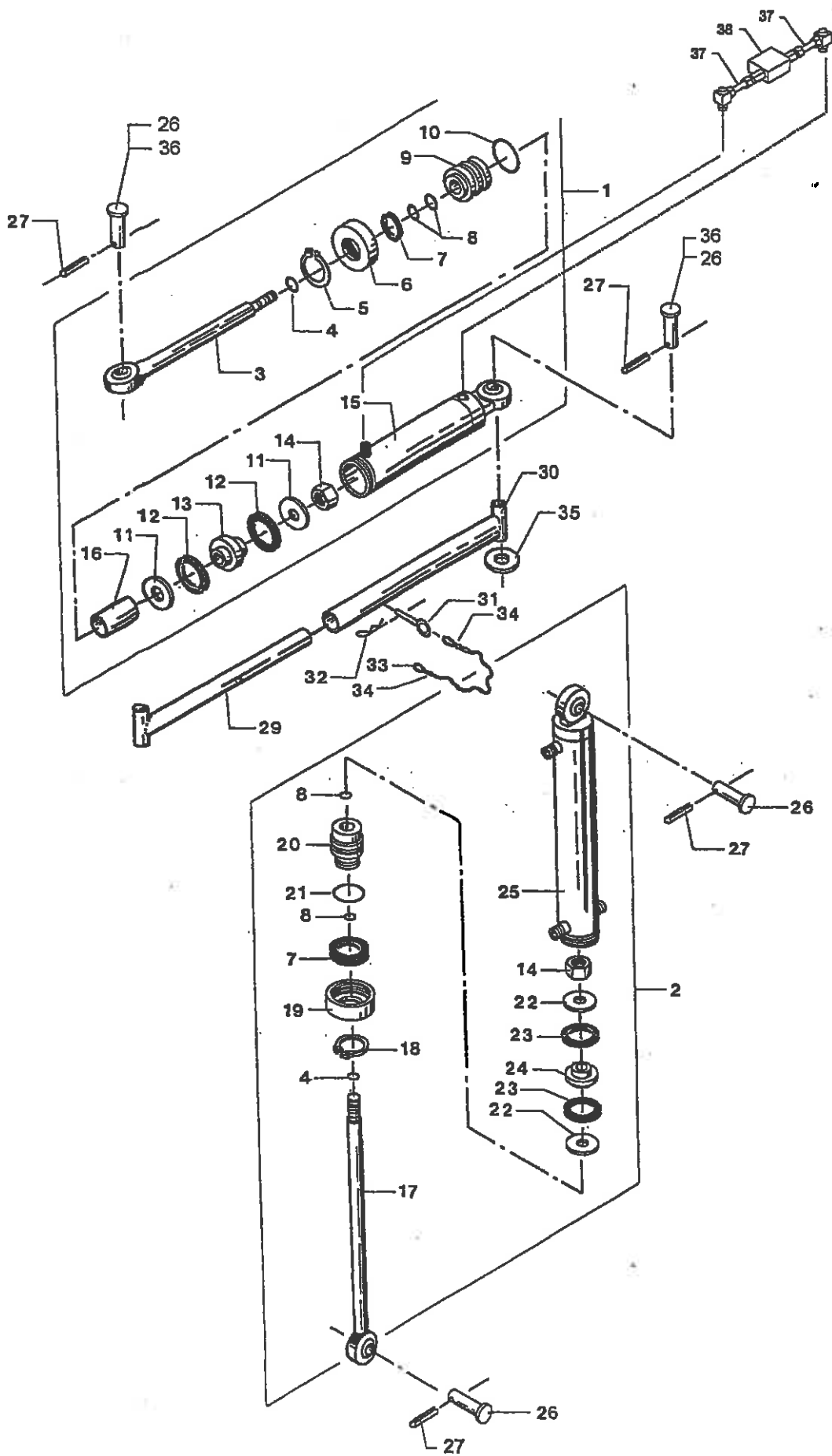
Electric box

. El.-kasten

| | SIDE 68.0 | PAGE 68.0 | SEITE 68.0 |
|-------------|-------------------------------------|-------------------------|--------------------------|
| 1 | SIDE 68.0 | PAGE 68.0 | SEITE 68.0 |
| 2 502429 | BOKS F/EL. VENTILCENTRAL | BOX F/EL. VALVE BLOCK | KASTEN F/EL.STUEBERBLOCK |
| 3 14085300 | SETSKRUE GROV M8 X 16 MM | SET SCREW | SETZSCHRAUBE |
| 4 14450100 | LET SKIVE 1/4" | WASHER | SCHLEIBE |
| 5 477534 | BESLAG F/TRYKFILTER | HOLDER F FILTER | BESCHLAG F FILTER |
| 6 13709117 | HØJTRYKSFILTER 10MY 3/4" 80L/MIN. | HIGH PRESSURE FILTER | HOCHDRUCKFILTER |
| 6 13709190 | FILTERINDSAT'S 10MY | FILTER INSERT | FILTEREINSATZ |
| 7 14085400 | SETSKRUE GROV M8 X 20 MM | SET SCREW | SETZSCHRAUBE |
| 8 14440400 | SVER SKIVE 10.5 X 21 X 2 MM | WASHER | SCHLEIBE |
| 9 14430300 | LÅSEMØTRIK M8 | LOCK NUT | GEGENMUTTER |
| 10 14462500 | CENTERFJEDERSKIVE M8 | SPRING WASHER | FEDERSCHLEIBE |
| 11 502479 | MONT. ELBOX F/MAGNETVENTILCENTRAL | EL.BOX ASSY F/MAGNET V. | EL.-KASTEN F/MAGNETVENT |
| 12 502430 | BESLAG F. BETJENINGSBOKS | FITTING F/CONTROL BOX | BESCHLAG F/BED.-KASTEN |
| 13 14182600 | JERNMASKINSKRUE M4 X 12 MM | SCREW | SCHRAUBE |
| 14 14462100 | CENTERFJEDERSKIVE M4 | SPRING WASHER | FEDERSCHLEIBE |
| 15 14410000 | MØTRIK M4 | NUT | MUTTER |
| 16 445152 | UNDERLAG FOR EL-DÅSE | SUPPORT F/EL. BOX | UNTERPLAGE F/EL.-KASTEN |
| 17 | | | |
| 18 14085900 | SETSKRUE M8 X 45 MM | SET SCREW | SETZSCHRAUBE |
| 19 502435 | HOLDER F/BETJENINGSBOKS PÅ TRAKTOR | CONTR. BOX HOLDER/TRAC. | BED.KAST.HALTER/SCHLEP. |
| 21 12905202 | PROPORTIONALPRINTPLADE 12V | PROPORT. CIRCUIT BOARD | PROPORTIONALPRINTPLATTE |
| 22 12530500 | VIPPEKONTAKT 2-POLET MON.-OFF-MON. | TILT SWITCH | KIPPSCHALTER |
| 22 12530001 | GUMMIHETTE F. KONTAKT | RUBBER CAP | GUMMIKAPPE |
| 23 12530600 | VIPPEKONTAKT 1-POLET MON.-OFF-MON. | TILT SWITCH | KIPPSCHALTER |
| 23 12530001 | GUMMIHETTE F. KONTAKT | RUBBER CAP | GUMMIKAPPE |
| 24 12530000 | VIPPEKONTAKT 1-POLET ON-OFF | TILT SWITCH | KIPPSCHALTER |
| 24 12530001 | GUMMIHETTE F. KONTAKT | RUBBER CAP | GUMMIKAPPE |
| 25 12530300 | VIPPEKONTAKT 1-POLET ON-OFF-MON. | TILT SWITCH | KIPPSCHALTER |
| 25 12530001 | GUMMIHETTE F. KONTAKT | RUBBER CAP | GUMMIKAPPE |
| 26 12506000 | STYREKABEL M/GRÅ KAPPE 1.00KVD 18-L | CONTROL CABLE W/GREY C. | ST.-KABEL M/GRÅU. DECK. |

| Pos | Bestil nr. | Benævnelse | Description | Bezeichnung | Bemærkning |
|-----|------------|--------------|-------------|--------------|------------|
| 30 | 862371 | Alarm | Alarm | Alarm | |
| 31 | 862095 | Sikring | Safety fuse | Sicherung | 10A |
| 32 | 862093 | Sikring | Safety fuse | Sicherung | 5A |
| 33 | 12530505 | Vippekontakt | Tilt switch | Kippschalter | 2-polet |



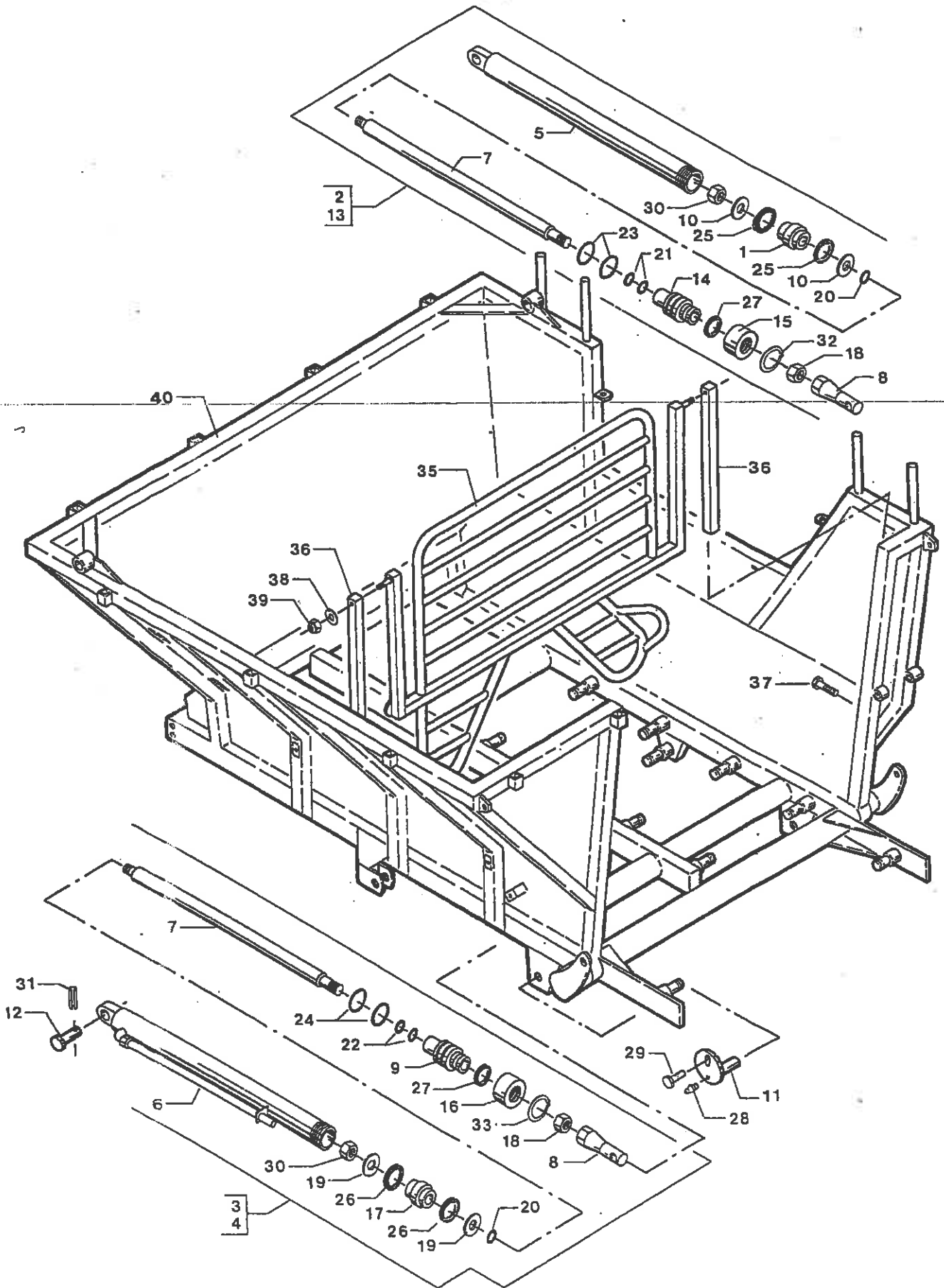


Stjært + dybdecylinder

Drawb. + depth cylinder

Daichs.- + Tiefenzylinder

| | | | | |
|----|----------|--------------------------------------|-------------------------|-------------------------|
| 1 | 350637 | CYLINDER D75/30 - 615/795 | CYLINDER | ZYLINDER |
| 1 | 490227 | PAKNINGSSET D75/30 | GASKET SET | DICHTSATZ |
| 2 | 350631 | DYB.REG. CYLINDER D-65/30-404 | DEPTH CONTROL RAM | TIEFENREG.-ZYLINDER |
| 2 | 471283 | PAKNINGSSET D65/30 | GASKET SET | DICHTSATZ |
| 3 | 350636 | STEMPELSTANG Ø30 X 465 MM | PISTON ROD | KOLBENSTANGE |
| 4 | 13312000 | O-RING Ø19.2 X 3 MM | O-RING | O-RING |
| 5 | 14653300 | SEEGERRING UDV. Ø68 MM | CIRCLIP | SICHERUNGSRING |
| 6 | 491652 | TOPMØTRIK Ø106/Ø56X32 MM | TOP NUT | KOPFMUTTER |
| 7 | 13387000 | AFSTRYGER 30 X 40 X 7/10 MM | WIPER | ABSTREIFER |
| 8 | 13314000 | O-RING Ø29.75 X 3.53 MM | O-RING | O-RING |
| 9 | 491636 | STEMPELSTYR Ø75/Ø30 | PISTON GUIDE | KOLBENFUEHRUNG |
| 10 | 13317500 | O-RING Ø64.2 X 5.7 MM | O-RING | O-RING |
| 11 | 471469 | SKIVE F. CYL. Ø74/Ø25.5 X 6 MM | WASHER F. CYLINDER | SCHEIBE F. ZYLINDER |
| 12 | 13345400 | NUTRING 55 X 75 X 12 MM | OIL SEAL | MANSCHETTE |
| 13 | 492167 | MANCHETHOLDER Ø75 X 40 MM | OIL SEAL HOLDER | HALTER F/MANSCHETTE |
| 14 | 14408610 | STÅLMØTRIK UNF 1" | STEEL NUT | STAHMUTTER |
| 15 | 350635 | CYLINDERRØR KPL. Ø85/Ø75 X 410 MM | CYLINDER TUBE CPL | ZYLINDERROHR KPL |
| 16 | 434093 | STOPRØR F CYLINDER | CYLINDER STOP | ZYLINDERHALT |
| 17 | 350632 | STEMPELSTANG M/HØVED | PISTON ROD W/HEAD | KOLBENSTANGE M/KOPF |
| 18 | 14652000 | SEEGERRING UDV. Ø50 MM | CIRCLIP | SICHERUNGSRING |
| 19 | 471325 | TOPMØTRIK, LILLE Ø96.5/Ø46.7 X 32MM | TOP NUT, SMALL | KOPFMUTTER, KLEIN |
| 20 | 491651 | STEMPELSTYR F. Ø65 RØR | PISTON GUIDE | KOLBENFUEHRUNG |
| 21 | 13316000 | O-RING Ø53.34 X 5.33 MM | O-RING | O-RING |
| 22 | 443490 | SKIVE Ø64/Ø25.5 X 6 MM | DISC | SCHEIBE |
| 23 | 13345000 | NUTRING 40 X 65 X 12 MM | OIL SEAL | MANSCHETTE |
| 24 | 350211 | MANCHETHOLDER DOB. Ø65 | SLEEVE HOLDER DOUBLE | HALTER F/MANSCH. DOPPEL |
| 25 | 350604 | CYLINDERRØR Ø75/Ø65 X 520 MM | CYLINDER TUBE | ZYLINDERROHR |
| 26 | 491429 | NAGLE Ø22/Ø9 X 97 MM | PIN | NAGEL |
| 27 | 14575400 | RØRSPÆNDESTIFT Ø9 X 50 MM | DOWEL | ROHRSPANNSTIFT |
| 29 | 444623 | INDV. HALVDEL | TRANSPORT STAY | INW. HALBTEIL |
| 30 | 444622 | UDV. HALVDEL | TRANSPORT STAY | AUSW. HALBTEIL |
| 31 | 14540700 | ØJEBOLT Ø8 X 75 MM | EYE BOLT | AUGENBOLZEN |
| 32 | 14535100 | HÅRNÅLESPLIT Ø2 MM | CLEVIS PIN | SPLINT |
| 33 | 15330100 | WIRE PVC OVERTRUKKET 1.3 MM/2.3 MM | WIRE, PVC COATED | STAHLDRAHT, PVC-UEBERZ. |
| 34 | 14850300 | WIREKLEMMER 3 MM | WIRE CLIP | DRAHTKLEMME |
| 35 | 14440900 | SVER SKIVE 23 X 37 X 3 MM | WASHER | SCHEIBE |
| 36 | 475121 | NAGLE Ø22/Ø9 X 171 | PIN | NAGEL |
| 37 | 475133 | HYDR. RØR (LIGE) | HYDR PIPE | HYDR ROHR |
| 38 | 13736851 | PILOTSTYR. DOB.KONTRAVENTIL 3/8" BSP | PIL.CON.D.NON-RET.VALVE | PILOTGEST.DOP.GEGENVEN. |

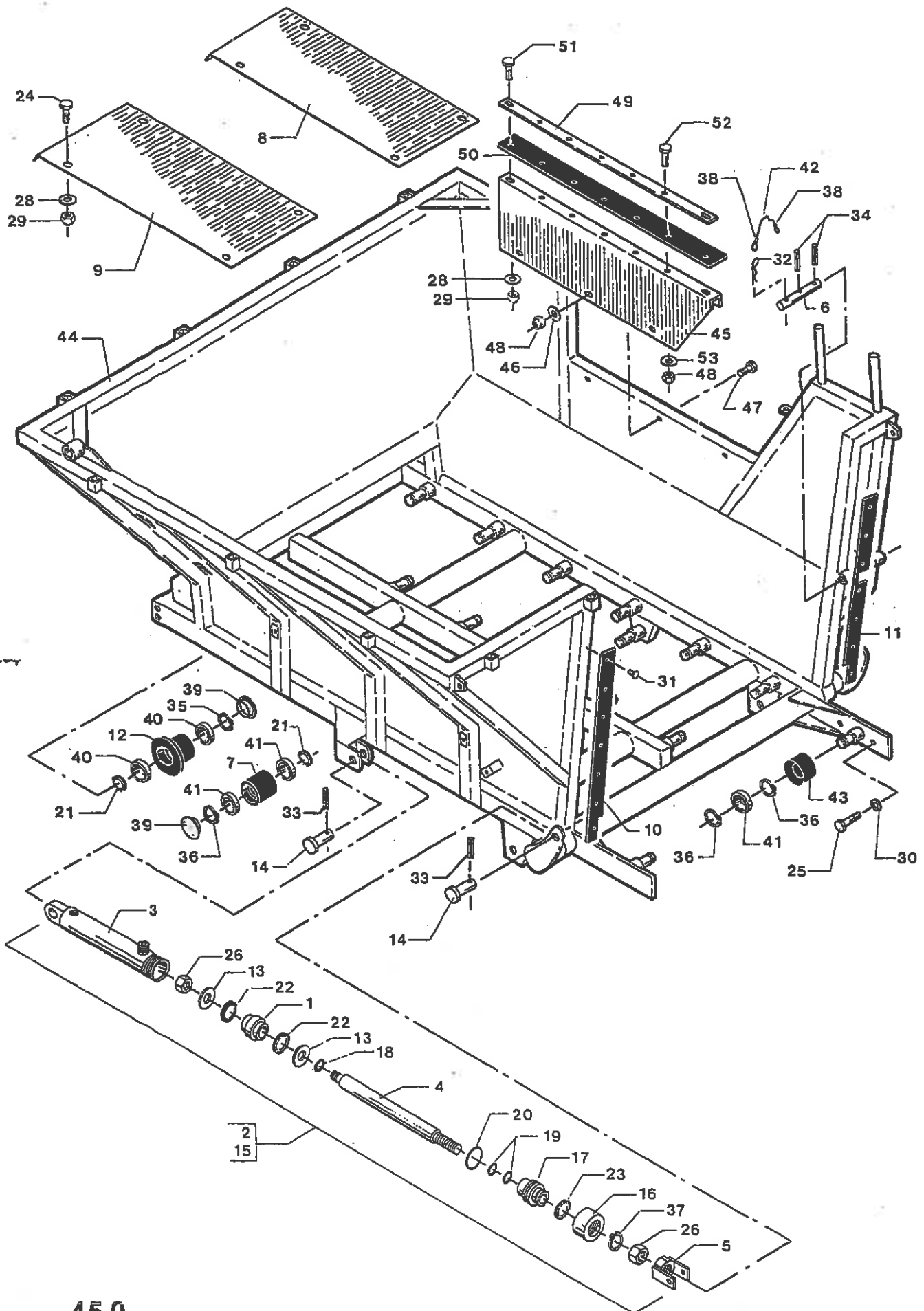


Cylinder f/tankelevator

Cylinder f. tank elevator

Zylinder f/Bunker

| | | | |
|----------------------|---|------------------------------------|------------------------------------|
| 1 350211 | MANCHETHOLDER DOB. Ø65 | SLEEVE HOLDER DOUBLE | HALTER F/MANSCH. DOPPEL |
| 2 350502 | <i>Bagerste</i> CYL. F. TANKELEV. D-65/40-795/1180 | TANK/ELEVATOR RAM | BUNKERELEVATORZYLINDER |
| 3 350510 | <i>Forr.</i> CYLINDER D Ø75/Ø40 - 1180/1975 | CYLINDER | ZYLINDER |
| 4 350511 | PAKNINGSSÆT F/D Ø75/Ø40 F. 350-510 | GASKET SET | DICHTSATZ |
| 5 350608 | CYLINDERØR KPL. Ø75/Ø65 X 950 MM | CYLINDER TUBE CPL | ZYLINDERROHR KPL |
| 6 350619 | CYLINDERØR Ø85/Ø75 X 950 MM | CYLINDER TUBE | ZYLINDERROHR |
| 7 351505 | STEMPELSTANG Ø40 X 1010 MM | PISTON ROD | KOLBENSTANGE |
| 8 351507 | STEMPELHOVED NV.55 X 159 MM | PISTON HEAD | KOLBENKOPF |
| 9 351527 | STEMPELSTYR Ø75/Ø40 | PISTON GUIDE | KOLBENFÜHRUNG |
| 10 443490 | SKIVE Ø64/Ø25.5 X 6 MM | DISC | SCHETBE |
| 11 471237 | ØVERSTE NAGLE F. TIPCYL. Ø22 X 87MM | TOP PIN F/TANK RAM | ØBERER NAGEL F/KIPPZYL. |
| 12 471238 | TAP LANG Ø19 X 60 MM | LONG STUD | LANG. ZAPFEN |
| 13 491394 | PAKNINGSSÆT Ø65-DOBB. U. CYL. | GASKET SET | DICHTSATZ |
| 14 491633 | STEMPELSTYR F. Ø65 RØR | PISTON GUIDE | KOLBENFÜHRUNG |
| 15 491634 | TOPMØTRIK Ø100/Ø50 X 44 MM | TOP NUT | KOPFMUTTER |
| 16 491644 | TOPMØTRIK Ø106/Ø56 X 42 MM | TOP NUT | KOPFMUTTER |
| 17 492167 | MANCHETHOLDER Ø75 X 40 MM | OIL SEAL HOLDER | HALTER F/MANSCHETTE |
| 18 801019 | HAKMØTRIK M39 X 2 MM | NOTCH NUT | EINSCHNITTMUTTER |
| 19 801083 | SKIVE F. CYLINDER Ø75/Ø25.5 | WASHER F/RAM | SCHETBE F/ZYLINDER |
| 20 13312000 | O-RING Ø19.2 X 3 MM | O-RING | O-RING |
| 21 13314900 | O-RING Ø39.69 X 3.53 MM | O-RING | O-RING |
| 22 13315100 | O-RING Ø39.2 X 3 MM | O-RING | O-RING |
| 23 13316000 | O-RING Ø53.34 X 5.33 MM | O-RING | O-RING |
| 24 13317500 | O-RING Ø64.2 X 5.7 MM | O-RING | O-RING |
| 25 13345000 | NUTRING 40 X 65 X 12 MM | OIL SEAL | MANSCHETTE |
| 26 13345400 | NUTRING 55 X 75 X 12 MM | OIL SEAL | MANSCHETTE |
| 27 13387500 | AFSTRYGER 40 X 50 X 7/10 MM | WIPER | ABSTREIFER |
| 28 13841000 | SMØRENIPPEL LIGE MF8 X 1 MM | GREASE NIPPLE STRAIGHT | SCHMIERNIPPEL GERADE |
| 29 14085400 | SÆTSKRUE GROV M8 X 20 MM | SET SCREW | SETZSCHRAUBE |
| 30 14408610 | STÅLMØTRIK UNF 1" | STEEL NUT | STAHELMUTTER |
| 31 14574500 | RØRSPENDESTIFT Ø8 X 45 MM | DOWEL | ROHRSPANNSTIFT |
| 32 14652600 | SEEGERRING UDV. Ø60 MM | CIRCLIP | SICHERUNGSPRING |
| 33 14653300 | SEEGERRING UDV. Ø68 MM | CIRCLIP | SICHERUNGSPRING |
| 34 478097 | MØDEGITTER F. STOR-TE-TANK- | DAMPING GRATE F/LA.TANK | DAEMPF.-GITTER F/GR.BU. |
| 35 478097 | MØDEGITTER F. STOR TE-TANK | DAMPING GRATE F/LA.TANK | DAEMPF.-GITTER F/GR.BU. |
| 36 419072 | OPSTANDER | UPRIGHT | STAENDER |
| 37 14162400 | TAPSÆTSKRUE GROV M16 X 35 MM | STUD SET SCREW | ZAPFSETZSCHRAUBE |
| 38 14440600 | SVER SKIVE 17 X 30 X 3 MM | WASHER | SCHETBE |
| 39 14431000 | LÅSEMØTRIK M16 | LOCK NUT | GEGENMUTTER |
| 40 420280 | TE-TANK 12,0 M3 | TE-TANK 12,0 M3 | TE-BUNKER 12,0 M3 |

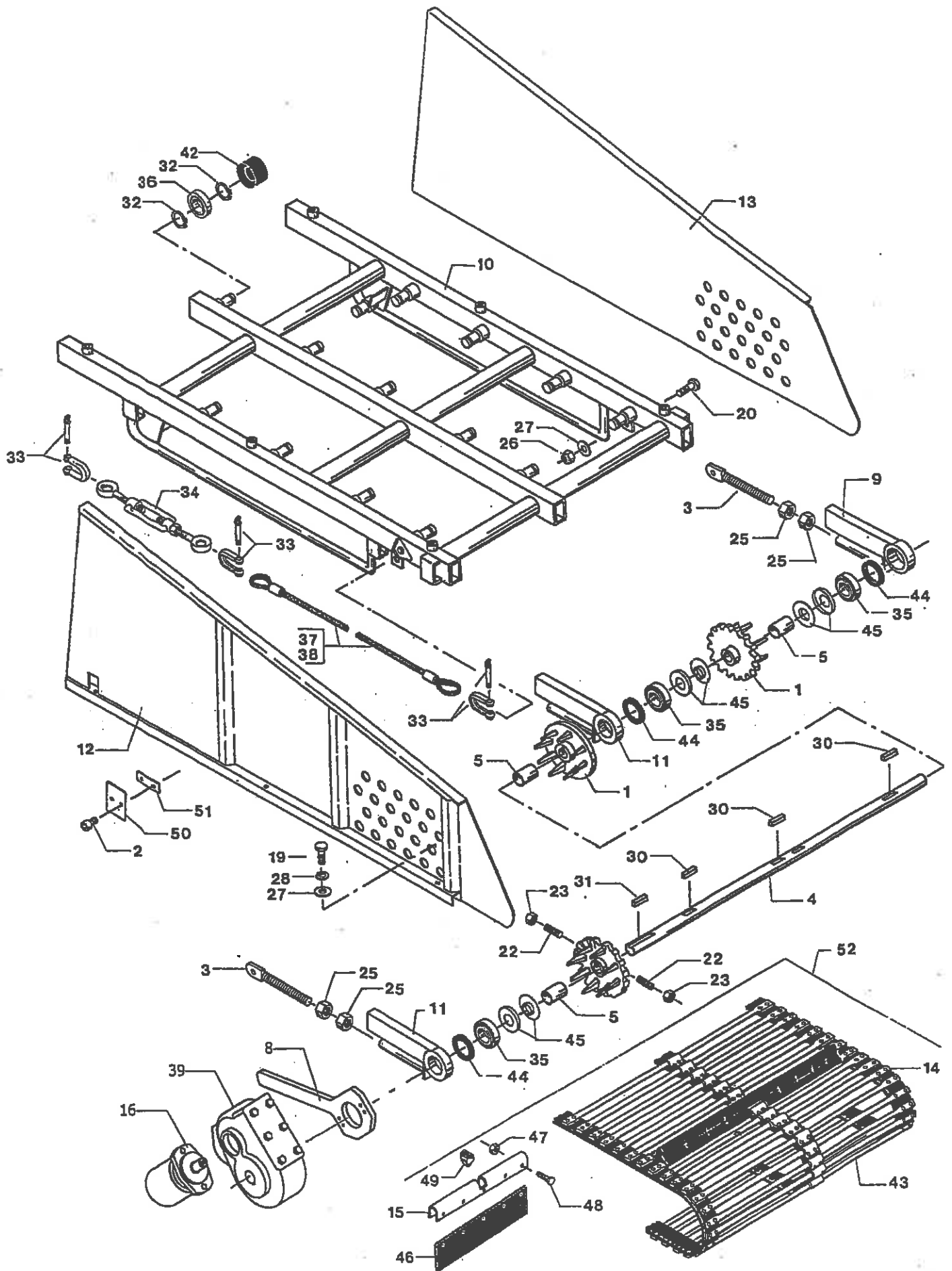


Cylinder i elevator

Cylinder in elevator

Zylinder im Elevator

| | | | |
|-------------|-------------------------------------|-------------------------|-------------------------|
| 1 350211 | MANCHETHOLDER DOB. Ø65 | SLEEVE HOLDER DOUBLE | HALTER F/MANSCH. DOPPEL |
| 2 350503 | ELEVATORCYLINDER D-65/30-275 | ELEVATOR RAM | ELEVATORZYLINDER |
| 3 350610 | CYLINDERRØR KPL. Ø75/Ø65 X 395 MM | CYLINDER TUBE CPL | ZYLINDERROHR KPL |
| 4 351508 | STEMPELSTANG Ø30 X 585 MM | PISTON ROD | KOLBENSTANGE |
| 5 417311 | GAFFEL F. STEMPEL | PISTON CLEVIS | KOLBENGABEL |
| 6 419418 | AKSEL FOR LÅS | SHAFT F. LOCK | WELLE F. SCHLOSS |
| 7 419678 | MELLEMSTE HJUL FOR BÅND | MIDDLE WHEEL F. BAND | MITTELRAD F. BAND |
| 8 478084 | BUNDPLADE 3 X 525 X 1320 MM | BOTTOM PLATE | BODENPLATTE |
| 9 478085 | BUNDPLADE 3 X 565 X 1320 MM | BOTTOM PLATE | BODENPLATTE |
| 10 419765 | GUMMIBESKYTTELSE V/ELEV. FOR | RUBBER GUARD B/EL. FR. | GUMMISCHUTZ A/EL. VO. |
| 11 419766 | GUMMIBESKYTTELSE V/ELEV. BAG | RUBBER GUARD B/EL.REAR | GUMMISCHUTZ A/EL. HI. |
| 12 443090 | BUNDRULLE F. ELEV. + BÅNDOPSAMLER | BOTTOM ROLLER F/ELEV.+B | BODENROLLE F/ELEV.+BA |
| 13 444350 | SKIVE FOR Ø65 RØR | DISC | SCHLEIBE |
| 14 471238 | TAP LANG Ø19 X 60 MM | LONG STUD | LANG. ZAPFEN |
| 15 471283 | PAKNINGSSÆT D65/30 | GASKET SET | DICHTSATZ |
| 16 471325 | TOEMØTRIK, LILLE Ø96.5/Ø46.7 X 32MM | TOP NUT, SMALL | KOPFMUTTER, KLEIN |
| 17 491651 | STEMPELSTYR F. Ø65 RØR | PISTON GUIDE | KOLBENFÜHRUNG |
| 18 13312000 | O-RING Ø19.2 X 3 MM | O-RING | O-RING |
| 19 13314000 | O-RING Ø29.75 X 3.53 MM | O-RING | O-RING |
| 20 13316000 | O-RING Ø53.34 X 5.33 MM | O-RING | O-RING |
| 21 13326500 | SIMMERRING 30 X 52 X 10 MM DOBB.LE. | OIL SEAL | OELFANGRING |
| 22 13345000 | NUTRING 40 X 65 X 12 MM | OIL SEAL | MANSCHETTE |
| 23 13387000 | AFSTRYGGER 30 X 40 X 7/10 MM | WIPER | ABSTREIFER |
| 24 14087500 | SETSkrUE GROV M10 X 25 MM | SET SCREW | SETZSCHRAUBE |
| 25 14092100 | SETSkrUE GROV M16 X 35 MM | SET SCREW | SETZSCHRAUBE |
| 26 14408610 | STÅLMØTRIK UNF 1" | STEEL NUT | STAHLMUTTER |
| 28 14440400 | SVÆR SKIVE 10.5 X 21 X 2 MM | WASHER | SCHLEIBE |
| 29 14430500 | LÅSEMØTRIK M10 | LOCK NUT | GEGENMUTTER |
| 30 14462900 | CENTERFJEDERSKIVE M16 | SPRING WASHER | FEDERSCHLEIBE |
| 31 14506400 | POPNITTE Ø5 X 10 MM | TUBULAR RIVET | NIET |
| 32 14535500 | HÅRNÅLESPILT Ø4 MM | CLEVIS PIN | SPLINT |
| 33 14574500 | RØRSPENDESTIFT Ø8 X 45 MM | DOWEL | ROHRSPANNSTIFT |
| 34 14571700 | RØRSPENDESTIFT Ø7 X 45 MM | DOWEL | ROHRSPANNSTIFT |
| 35 14642500 | SEEGERRING UDV. Ø25 MM | CIRCLIP | SICHERUNGSRING |
| 36 14643000 | SEEGERRING UDV. Ø30 MM | CIRCLIP | SICHERUNGSRING |
| 37 14652000 | SEEGERRING UDV. Ø50 MM | CIRCLIP | SICHERUNGSRING |
| 38 14846900 | WIRELÅS FZB 3/16" | WIRE LOCK | DRAHTSEILSCHLOSS |
| 39 15048300 | NAVKAPESEL NAGBØL Ø53 MM U/GEVIND | HUB CAP WO/THREAD | NABENKAPESEL O/GEWINDE |
| 40 15111700 | SPORKUGLELEJE ENRÆK. 6205-2RS | STEP BALL BEARING 1-R. | SPURKUGELLAGER 1-REIH. |
| 41 15112800 | SPORKUGLELEJE ENRÆK. 6306-2RS | STEP BALL BEARING 1-R. | SPURKUGELLAGER 1-REIH. |
| 42 15330100 | WIRE PVC OVERTRUKKET 1.3 MM/2.3 MM | WIRE, PVC COATED | STAHLDRAHT, PVC-UEBERZ. |
| 43 2380400 | BÆRERULLE F. GUMMIKÆDE | SUP. ROLL F/RUB.CHAIN | TRAGROLLE F/GUMMIKETTE |
| 44 420280 | TE-TANK 12,0 M3 | TE-TANK 12,0 M3 | TE-BUNKER 12,0 M3 |
| 45 419774 | LØKKESKERM V/ELEVATORINDLØB | CLOS. GUARD B/ELEV.INL. | SCHLIESSCHIRM A/ELEVAT. |
| 46 14482800 | SPEC. SKIVE 35 X 8.5 X 3 MM | SPECIAL WASHER | SPEZIALSCHLEIBE |
| 47 14085500 | SETSkrUE GROV M8 X 25 MM | SET SCREW | SETZSCHRAUBE |
| 48 14430300 | LÅSEMØTRIK M8 | LOCK NUT | GEGENMUTTER |
| 49 476140 | BESLAG F. GUMMI 40 X 5 X 1135 MM | CLAMP F/RUBBER | BESCHLAG F/GUMMI |
| 50 476141 | GUMMILISTE V. SKERM 80X6X1135 MM | RUBBER B/GUARD | GUMMI A/SCHIRM |
| 51 14087700 | SETSkrUE GROV M10 X 35 MM | SET SCREW | SETZSCHRAUBE |
| 52 14085600 | SETSkrUE GROV M8 X 30 MM | SET SCREW | SETZSCHRAUBE |
| 53 14480200 | SPEC. SKIVE 25 X 8.5 X 2.0 MM | SPECIAL WASHER | SPEZIALSCHLEIBE |



Elevator

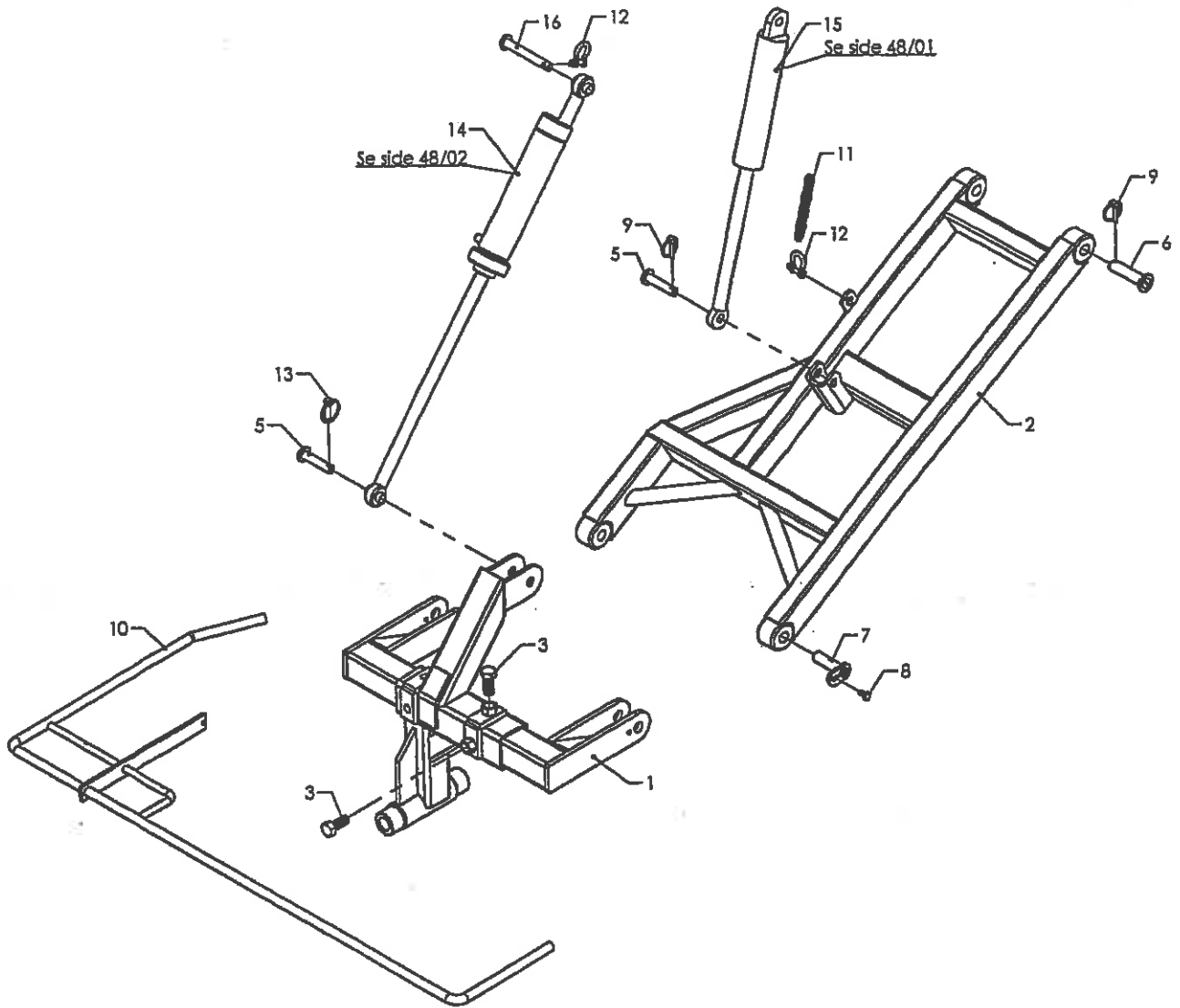
Elevator

Elevator

| | | | |
|------------------------------|--------------------------------------|-------------------------|-------------------------|
| 1 419100 | 17819765 TOPAKSELHJUL FOR TE | TOP SHAFT WHEEL F. TE | OBERWELLENRAD F. TE |
| 2 14258400 | UNBRACO MC 10 X 25 MM | UNBRACO SCREW | UNBRACOSCHRAUBE |
| 3 419593 | STRAMMEBOLT | TIGHTENING BOLT | SPANNBOLZEN |
| 4 419593 88675350 | TOPAKSEL Ø40 X 1720 | TOP SHAFT | OBERWELLE |
| 5 419677 | AFSTANDSBØSNING Ø1 1/2" X 85 MM | DISTANCE BUSH | ABSTANDBUCHSE |
| 6 419801 | HOLDER F. OLLEMOTOR | HOLDER F. OIL MOTOR | HALTER F. OELMOTOR |
| 8 477568 | KONSOL F GEAR | BRACKET F GEAR | TRAEGER F GETRIEBE |
| 9 419814 | GLIDER F. TOPAKSEL H. | SLIDER F. TOP SHAFT RH | SCHIEBER F. OBERWELLE R |
| 10 478007 | AFLESESSELEVATOR F. STOR TE-TANK | UNL.ELEV. F/BIG TE-TANK | ABLADSELEV./GR.TE-BUNK. |
| 11 419834 | GLIDER F. TOPAKSEL V. | SLIDER F. TOP SHAFT LH | SCHIEBER F. OBERWELLE L |
| 12 490908 | FØRR. SIDEPLADE F/AFL. ELEVATOR | FRONT SIDEPL.F/DEL.ELEV | VORD.SEITENPL.F.ELEVAT. |
| 13 490909 | BAG. SIDEPLADE F/AFL. ELEVATOR | REAR SIDE PL.F/DEL.ELEV | HINT.SEITENPL.F/ELEVAT. |
| 14 17819792 | GUMMIKÆDE B=1400 MM L=9100 MM (NL) | RUBBER CHAIN | GUMMIKETTE |
| 15 445183 | HOLDEBESLAG FOR GUMMILAP 2X100X550 | BRACKET F. RUBBER LAP | HALTBESCHL. F/GUMMILAP. |
| 16 13718600 | OLLEMOTOR OMR 100 | OIL MOTOR | OELMOTOR |
| 16 13719900 | PAKNINGSSET ALLE OMR | PACKING SET | DICHTSATZ |
| 19 14089600 | SETS KRUE GROV M12 X 25 MM | SET SCREW | SETZSCHRAUBE |
| 20 14089900 | SETS KRUE GROV M12 X 40 MM | SET SCREW | SETZSCHRAUBE |
| 22 14285700 | UNBRACO M10 X 30 MM | UNBRACO SCREW | UNBRACOSCHRAUBE |
| 23 14410600 | MØTRIK M10 | NUT | MUTTER |
| 24 502474 | REP. SET/MEDBRINGER 1400MM ENK.TAND | REP. KIT/CARRIER SING.T | REP.SATZ/MITNEHM.EINZ.Z |
| 25 14411400 | MØTRIK M20 | NUT | MUTTER |
| 26 14430700 | LÅSEMØTRIK M12 | LOCK NUT | GEGENMUTTER |
| 27 14453000 | SVÆR SKIVE 1/2" | WASHER | SCHEIBE |
| 28 14462700 | CENTERFJEDERSKIVE M12 | SPRING WASHER | FEDERSCHEIBE |
| 30 14608325 | PASFEDER 10 X 8 X 50 MM | KEY | PASSFEDER |
| 31 14608531 | PASFEDER 12 X 8 X 63 MM | KEY | PASSFEDER |
| 32 14643000 | SEEGERRING UDV. Ø30 MM | CIRCLIP | SICHERUNGSPRING |
| 33 14842500 | D-SJÆKEL FZB 3/8" | D-SHACKLE | D-SCHÆKEL |
| 34 14856000 | BARJUNSTRAMMER 3/8" 2 ØJER | WIRE STRAINER W/2 EYES | SPANNSCHLOSS M/2 AUGEN |
| 35 15112200 | SPORKUGLELEJE ENREK. 6208 | STEP BALL BEARING 1-R. | SPURKUGELLAGER 1-REIH. |
| 36 15112800 | SPORKUGLELEJE ENREK. 6306-2RS | STEP BALL BEARING 1-R. | SPURKUGELLAGER 1-REIH. |
| 37 15328514 | WIRESTROPPER - GALV. (8 X 1450 MM) | WIRE STRAP | DRAHTGURT |
| 38 15328516 | WIRESTROPPER - GALV. (8 X 1600 MM) | WIRE STRAP | DRAHTGURT |
| 39 15509620 | AKSELGEAR - REDUKTION 8.4:1 | SHAFT GEAR | WELLENGETRIEBE |
| 41 502476 | REP. SET/BÅND 1400MM ENKELT TAND | REP. KIT/BELT SINGLE T. | REP.SATZ/BAND EINZ.ZAHN |
| 42 2380400 | BÆRERULLE F. GUMMIKÆDE | SUP. ROLL F/RUB.CHAIN | TRAGROLLE F/GUMMIKETTE |
| 43 502476 | REP. SET/BÅND 1400MM ENKELT TAND | REP. KIT/BELT SINGLE T. | REP.SATZ/BAND EINZ.ZAHN |
| 44 13330000 | SIMMERRING 40 X 60 X 10 MM DOBB.LE. | OIL SEAL | OELFANGRING |
| 45 13365900 | LABYRINTTÆTNING Ø80/40 X 6 MM | LABYRINTH SEAL | LABYRINTHDICHTUNG |
| 46 2380010 | GUMMISKERM 550 X 110 X 10 MM | RUBBER GUARD | GUMMISCHIRM |
| 47 14083900 | SETS KRUE GROV M6 X 20 MM | SET SCREW | SETZSCHRAUBE |
| 48 14430100 | LÅSEMØTRIK M6 | LOCK NUT | GEGENMUTTER |
| 49 14847300 | WIRELÅS FZB 7/16" | WIRE LOCK | DRAHTSEILSCHLOSS |
| 50 419743 | DEKSEL | COVER | DECKEL |
| 51 419744 | BESLAG F. DEKSEL | FITTING F. COVER | BESCHLAG F. DECKEL |
| 52 502505 | BÅND KPL. AFLE.S.ELE.L=9100,B=1400MM | BELT CPL F/UNLOAD. ELE. | BAND KPL F/AUSLEGER |



Ophæng for turboaftopper

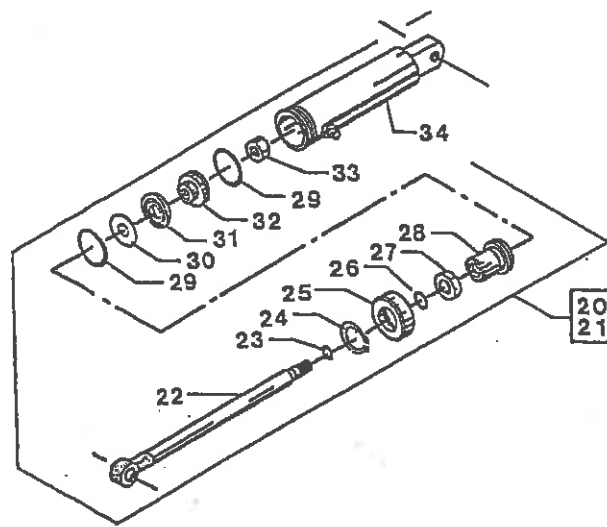


Roeoptager

| Pos | Bestil nr. | Benævnelse | Description | Bezeichnung | Bemærkning |
|-----|------------|------------------------|------------------|---------------------|------------|
| 1 | 29343730 | Vippekonsol | Console | Konsol | |
| 2 | 477525 | Bæreramme for aftopper | Carrying frame | Tragrahmen | |
| 3 | 1923229 | Stålsætskrue | Bolt | Bolzen | M20x50 |
| 4 | 1930733 | Stålmøtrik | Nut | Mutter | M20 |
| 5 | 471280 | Nagle | Pin | Nagel | |
| 6 | 501375 | Nagle | Pin | Nagel | |
| 7 | 494984 | Nagle m. smøring | Pin w. greasing | Nagel m. schmierung | |
| 8 | 1923102 | Stålsætskrue | Screw | Schraube | M10x20 |
| 9 | 14538700 | Traktorringsplit | Split | Splint | ø8 |
| 10 | 419865 | Beskyttelsesbøjle | Front guard yoke | Schuetzbuegel front | |
| 11 | 443570 | Kæde for undermaskine | Subframe chain | Untermasch. Kette | 7 led |
| 12 | 801540 | Sjækel | Shackle | Schaekel | 1/2" |
| 13 | 14538700 | Traktorringsplit | Split | Splint | ø8 |
| 14 | 88700280 | Cylinder, kpl. | Cylinder, cpl. | Zylinder, Kpl. | |
| 15 | 444581 | Cylinder, kpl. | Cylinder, cpl. | Zylinder, Kpl. | |
| 16 | 444593 | Nagle | Pin | Nagel | |



Cylinder - 444581

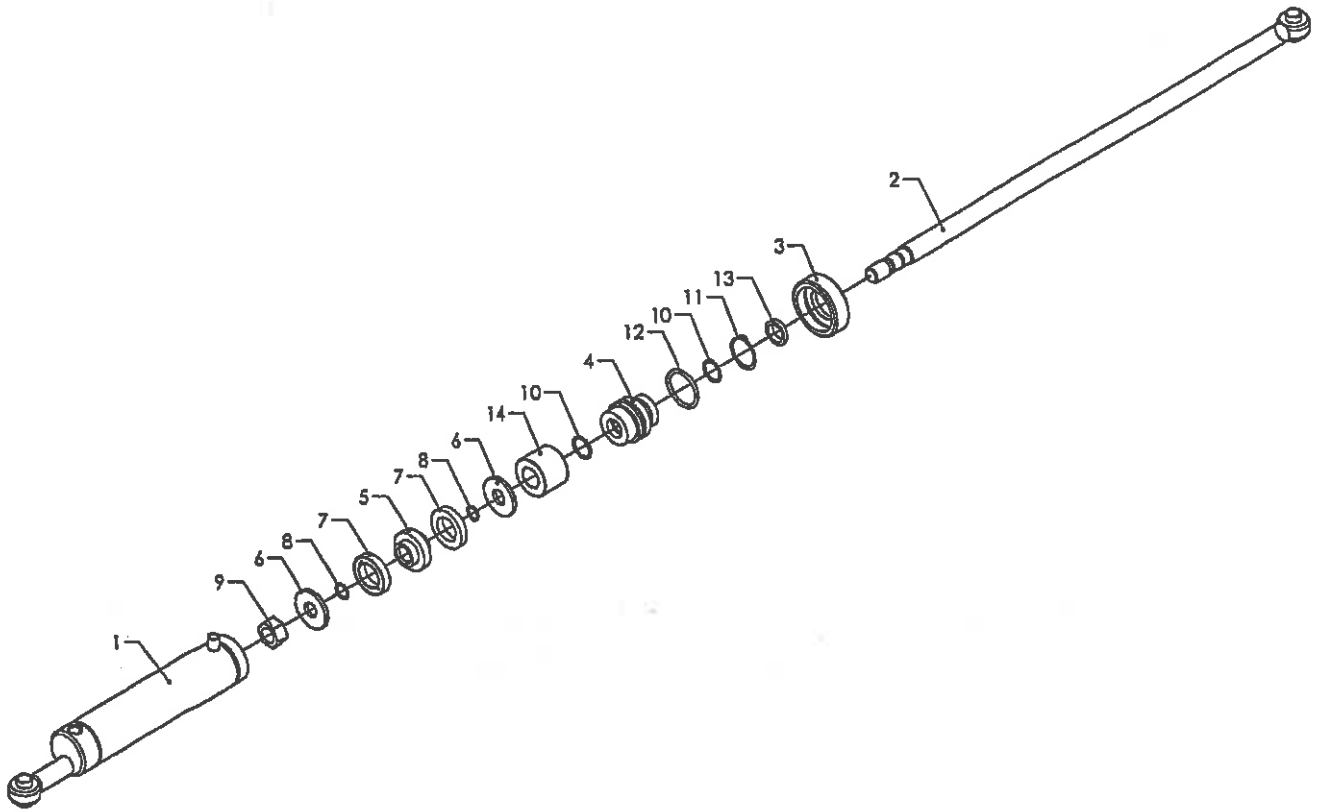


Roeoptager

| | | | |
|-------------|-------------------------------------|-------------------|---------------------|
| 20 444581 | CYLINDER FOR AFTOPPER | FULVERISER RAM | KOEFFERZYLINDER |
| 21 471284 | PAKNINGSSÆT E-Ø65/Ø30 | GASKET SET | DICHTSATZ |
| 22 444582 | STEMPELSTANG Ø30 X 310 MM | PISTON ROD | KOLBENSTANGE |
| 23 13312000 | O-RING Ø19.2 X 3 MM | O-RING | O-RING |
| 24 14652000 | SEEGERRING UDV. Ø50 MM | CIRCLIP | SICHERUNGSRING |
| 25 471325 | TOPMØTRIK, LILLE Ø96.5/Ø46.7 X 32MM | TOP NUT, SMALL | KOPFMUTTER, KLEIN |
| 26 13314000 | O-RING Ø29.75 X 3.53 MM | O-RING | O-RING |
| 27 13387000 | AFSTRYGER 30 X 40 X 7/10 MM | WIPER | ABSTREIFER |
| 28 491651 | STEMPELSTYR F. Ø65 RØR | PISTON GUIDE | KOLBENFUEHRUNG |
| 29 13316000 | O-RING Ø53.34 X 5.33 MM | O-RING | O-RING |
| 30 444350 | SKIVE FOR Ø65 RØR | DISC | SCHEIBE |
| 31 13345000 | NUTRING 40 X 65 X 12 MM | OIL SEAL | MANSCHETTE |
| 32 471301 | MANCHETHOLDER Ø65 | OIL SEAL HOLDER | HALTER F/MANSCHETTE |
| 33 14408610 | STÅLMØTRIK UNF 1" | STEEL NUT | STAHLMUTTER |
| 34 444583 | CYLINDERRØR KPL. | CYLINDER TUBE CPL | ZYLINDERROHR KPL |



Cylinder - 88700280

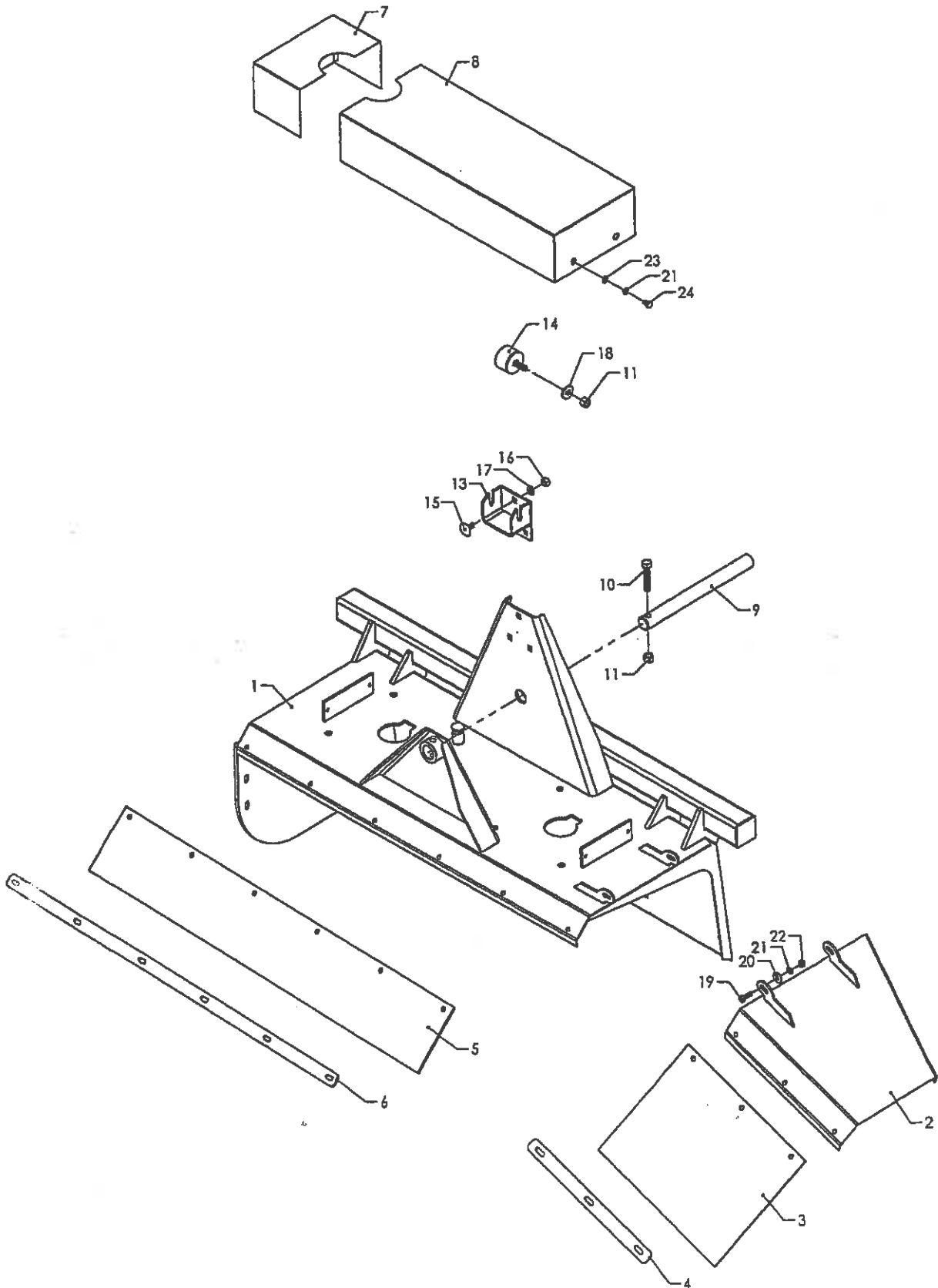


Roeoptager

| Pos | Bestil nr. | Benævneise | Description | Bezeichnung | Bemærkning |
|-----|------------|------------------|-----------------|---------------------|---------------|
| 1 | 88700290 | Cylinderrør | Cylinder tube | Zylinderrohr | |
| 2 | 88700260 | Stempelstang | Piston rod | Kolbenstange | |
| 3 | 471325 | Topmøtrik | Nut | Mutter | |
| 4 | 491651 | Stempelstyr | Piston guide | Kolbenfuehrung | |
| 5 | 350211 | Manchetholder | Oil seal holder | Halter f. manchette | |
| 6 | 443490 | Skive | Washer | Scheibe | ø64/ø25,5 x 6 |
| 7 | 13345000 | Nutring | Oil seal | Manchette | 40x65x12 mm. |
| 8 | 700420 | O-ring | O-ring | O-Ring | ø19,2 X 3 |
| 9 | 14408610 | Møtrik | Nut | Mutter | UNF 1" |
| 10 | 700428 | O-ring | O-ring | O-Ring | ø29,75x3,53 |
| 11 | 932050 | Seegerring | Circlip | Sicherungsring | U50 |
| 12 | 13316000 | O-ring | O-ring | O-Ring | ø53,35x5,33 |
| 13 | 700230 | Skraberling | Scraber | Abstreifring | AS 30x40x7/10 |
| 14 | 88700250 | Afstandsboesning | Distance bush | Buchse | |



Turboaftopper 2rk.

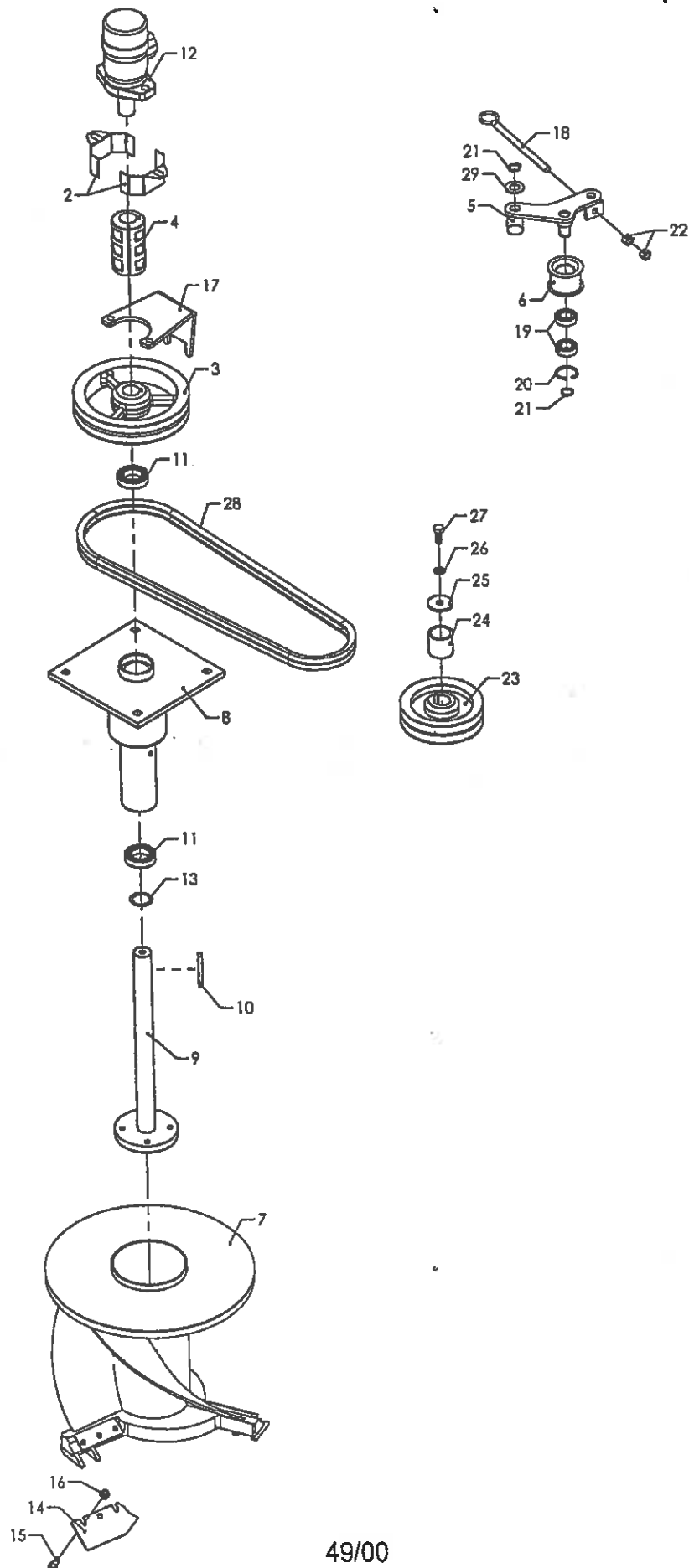


Roeoptager

| Pos | Bestil nr. | Benævnelse | Description | Bezeichnung | Bemærkning |
|-----|------------|-------------------|------------------|-------------------|------------|
| 1 | 30106640 | Stelramme | Frame | Rahmen | |
| 2 | 88705570 | Skærm | Cover | Schirm | |
| 3 | 88705520 | Gummiplade | Rubber plate | Gummiplatte | |
| 4 | 88705530 | Skinne | Rail | Schiene | |
| 5 | 88705550 | Gummiplade | Rubber plate | Gummiplatte | |
| 6 | 88705560 | Skinne | Rail | Schiene | |
| 7 | 30327741 | Skærm | Cover | Schirm | |
| 8 | 30327742 | Skærm | Cover | Schirm | |
| 9 | 31619620 | Tap | Pin | Zapfen | |
| 10 | 1923160 | Stålsætskrue | Bolt | Bolz | M12x65 |
| 11 | 1930805 | Låsemøtrik | Nut | Mutter | M12 |
| 12 | 501802 | Smørenippel | Grease fitting | Schmiernippel | 1/8" RG |
| 13 | 30625750 | Konsole | Console | Konsole | |
| 14 | 34493860 | Gummistabilisator | Rubberstabilizer | Gummistabilisator | |
| 15 | 1926023 | Stålbræddebolt | Screw | Schraube | M10x25 |
| 16 | 1930803 | Låsemøtrik | Nut | Mutter | M10 |
| 17 | 1930905 | Spændeskive | Washer | Scheibe | M10 |
| 18 | 1930927 | Spændeskive | Washer | Scheibe | M12 - svær |
| 19 | 1923078 | Stålsætskrue | Screw | Schraube | M8x25 |
| 20 | 1930904 | Spændeskive | Washer | Scheibe | M8 |
| 21 | 1930944 | Fjederskive | Spring washer | Federscheibe | M8 |
| 22 | 1930727 | Stålmøtrik | Nut | Mutter | M8 |
| 23 | 1930924 | Spændeskive | Washer | Scheibe | M8 |
| 24 | 1923075 | Stålsætskrue | Set screw | Setzschraube | M8x12 |



Turbo-aftopper 2rk.

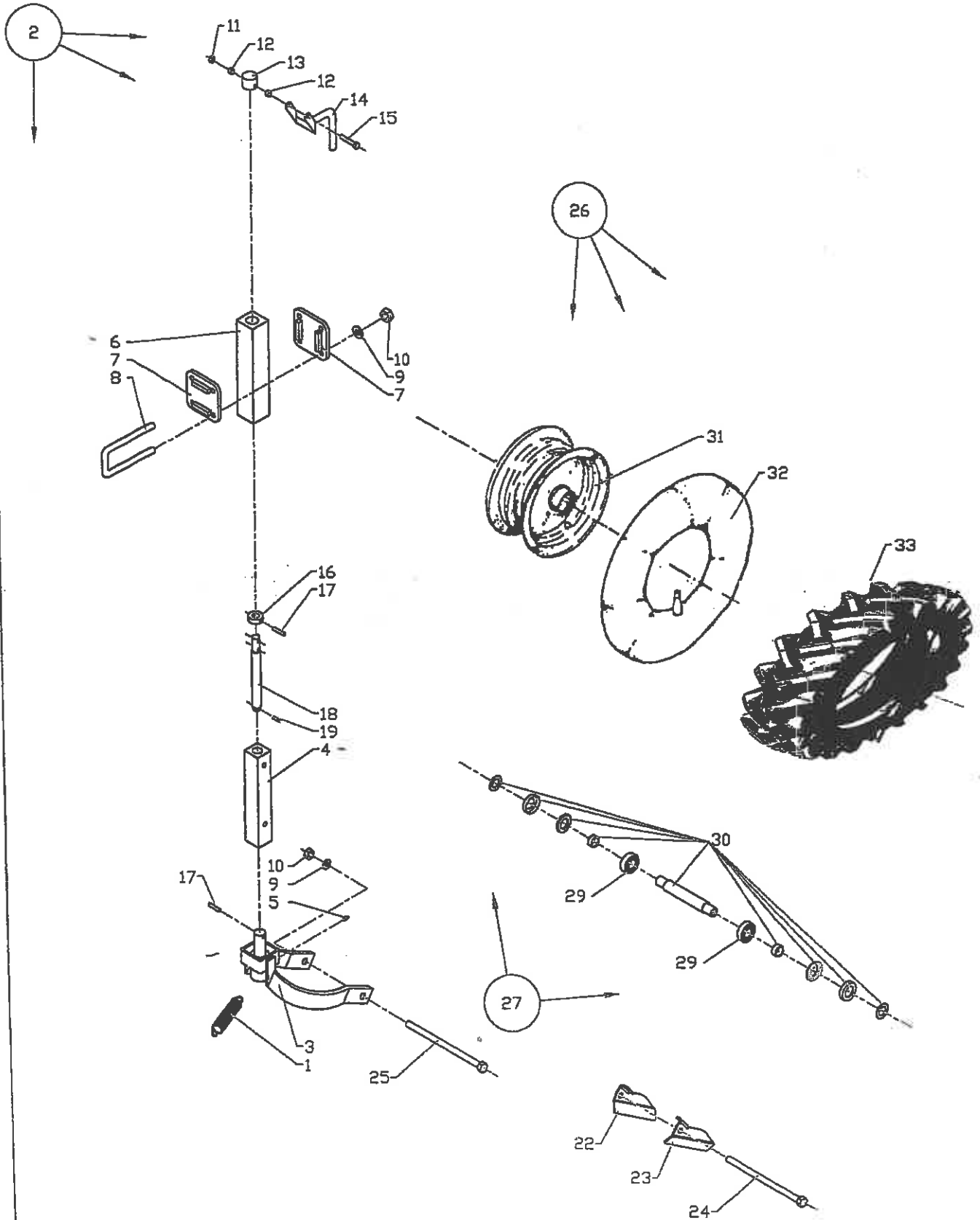


Roeoptager

| Pos | Bestil nr. | Benævnelse | Description | Bezeichnung | Bemærkning |
|-----|------------|--------------|----------------|-------------------|------------------|
| 2 | 30619890 | Skærm | Cover | Schirm | |
| 3 | 30619790 | Kileremskive | V-belt pulley | Keilriemenscheibe | |
| 4 | 27326400 | Muffekobling | Bush | Buchse | ø32/35 |
| 5 | 30625790 | Strammer | Tensioner | Spanner | |
| 6 | 30619880 | Strammerulle | Tension roller | Spannroller | |
| 7 | 30215500 | Rotor | Rotor | Rotor | |
| 8 | 30327710 | Lejerør | Console | Konsole | |
| 9 | 30619700 | Aksel | Shaft | Welle | |
| 10 | 931392 | Pasfeder | Tongue | Passfeder | A10x8x80 |
| 11 | 500657 | Kugleleje | Bearing | Lager | 6007-RS |
| 12 | 851021 | Ollemotor | Oilmotor | Ölmotor | OMR-80 ø32 |
| 13 | 932434 | Passkive | Washer | Scheibe | |
| 14 | 30619780 | Kniv | Share | Schare | 3 stk. pr. række |
| 15 | 1905550 | Unbrakoskrue | Screw | Schraube | MC10x30 |
| 16 | 1930803 | Låsemøtrik | Nut | Mutter | M10 |
| 17 | 30619830 | Motorkonsol | Console | Konsol | |
| 18 | 88705590 | Ringbolt | Ringbolt | Ringbolt | |
| 19 | 500785 | Kugleleje | Ball bearing | Kugellager | 6004-2RS |
| 20 | 932242 | Seegerring | Snap ring | Seegerring | I-42 |
| 21 | 932020 | Seegerring | Snap ring | Seegerring | U-20 |
| 22 | 1930730 | Stålmøtrik | Nut | Mutter | M12 |
| 23 | 30619800 | Kileremskive | V-belt pulley | Keilriemenscheibe | |
| 24 | 30619810 | Bøsning | Bush | Buchse | |
| 25 | 26483530 | Skive | Washer | Scheibe | |
| 26 | 1930847 | Fjederskive | Spring washer | Federscheibe | M12 |
| 27 | 1923153 | Stålsætskrue | Screw | Schraube | M12x30 |
| 28 | 505563 | Kilerem | V-belt | Keilriemen | B-63 |
| 29 | 1930910 | Spændeskive | Washer | Scheibe | M20 |

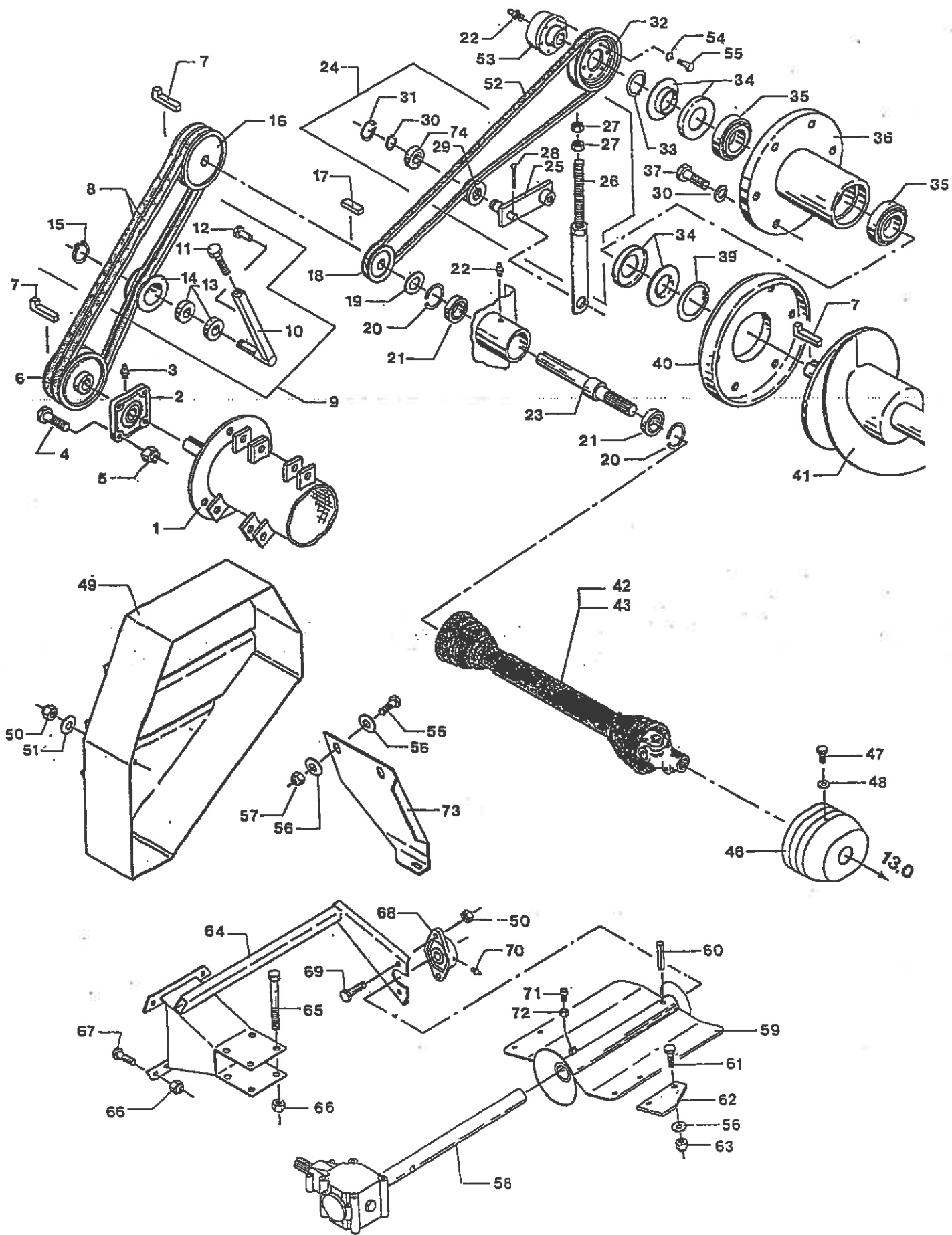


Hjul for aftopper



Roeoptager

| ns | Bestil nr. | Benævnelse | Description | Bezeichnung | Bemærkning |
|----|------------|-------------------|----------------|-----------------|----------------------|
| 1 | 26493130 | Fjeder | Spring | Feder | |
| 2 | 34213360 | Støttehjul Kpl. | Wheel Cpl. | Rad Kpl. | Pos.3-19,25-27,29-33 |
| 3 | 34322290 | Hjulgaffel | Wheel Fork | Radgabel | |
| 4 | 30317891 | Profil | Rod | Stange | |
| 5 | 501802 | Smørenippel | Grease Fitting | Schmiernippel | 1/8" RG |
| 6 | 34320420 | Profil | Holder | Halter | |
| 7 | 34493620 | Spændebeslag | Retainer Bar | Spannbeschiag | |
| 8 | 34486480 | Spændebøjle | Clamp | Bügel | |
| 9 | 1930929 | Spændeskive | Washer | Scheibe | M16 |
| 10 | 1930807 | Låsemøtrik | Nut | Mutter | M16 |
| 11 | 1930802 | Låsemøtrik | Nut | Mutter | M8 |
| 12 | 30476500 | Bøsning | Bush | Busche | |
| 13 | 34486450 | Nav | Hub | Nabe | |
| 14 | 34486460 | Spindelåsehåndtag | Handle | Handgriff | |
| 15 | 1920166 | Stålbolt | Bolt | Bolz | M8x80 |
| 16 | 63404541 | Stopring | Bush | Busche | |
| 17 | 911572 | Rørstift | Roller Pin | Rohr | Ø8x40 |
| 18 | 30476551 | Spindel | Spindle | Spindel | |
| 19 | 911418 | Rørstift | Roller Pin | Rohr | Ø6x30 |
| 20 | | | | | |
| 21 | | | | | |
| 22 | 28659181 | Afskraber Højre | Scraper Right | Schraber Rechts | |
| 23 | 28659182 | Afskraber Venstre | Scraper Left | Schraber Links | |
| 24 | 1922722 | Stålbolt | Bolt | Bolz | M16x280 |
| 25 | 1922720 | Stålbolt | Bolt | Bolz | M16x260 |
| 26 | 800904 | Hjul Kpl. | Wheel Cpl. | Rad Kpl. | Pos. 27-33 |
| 27 | 800004 | Fælg Kpl. | Rim Cpl. | Felg Kpl. | Pos. 29-31 Gk 550x8 |
| 28 | | | | | |
| 29 | 500840 | Kugleleje | Ball Bearing | Kugellager | 6205-Z |
| 30 | 800400 | Aksel | Shaft | Welle | |
| 31 | 800014 | Fælg | Rim | Felg | |
| 32 | 800104 | Slange | Tube | Schlauch | 5.50x8" |
| 33 | 800054 | Dæk | Tyre | Reifen | 4 Lags-Nt153 |



504725
504726

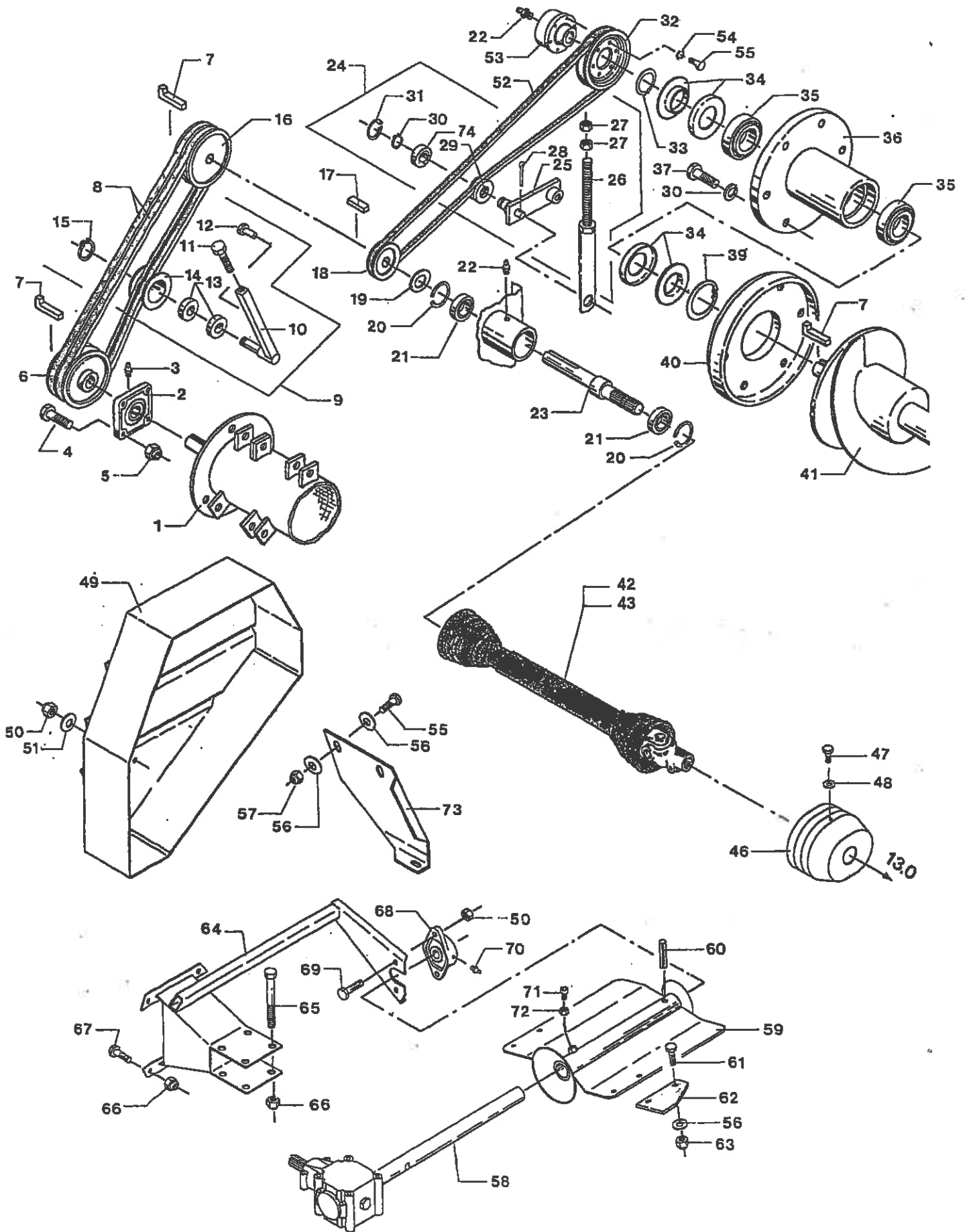
54.0

Drev, slagleaftopper

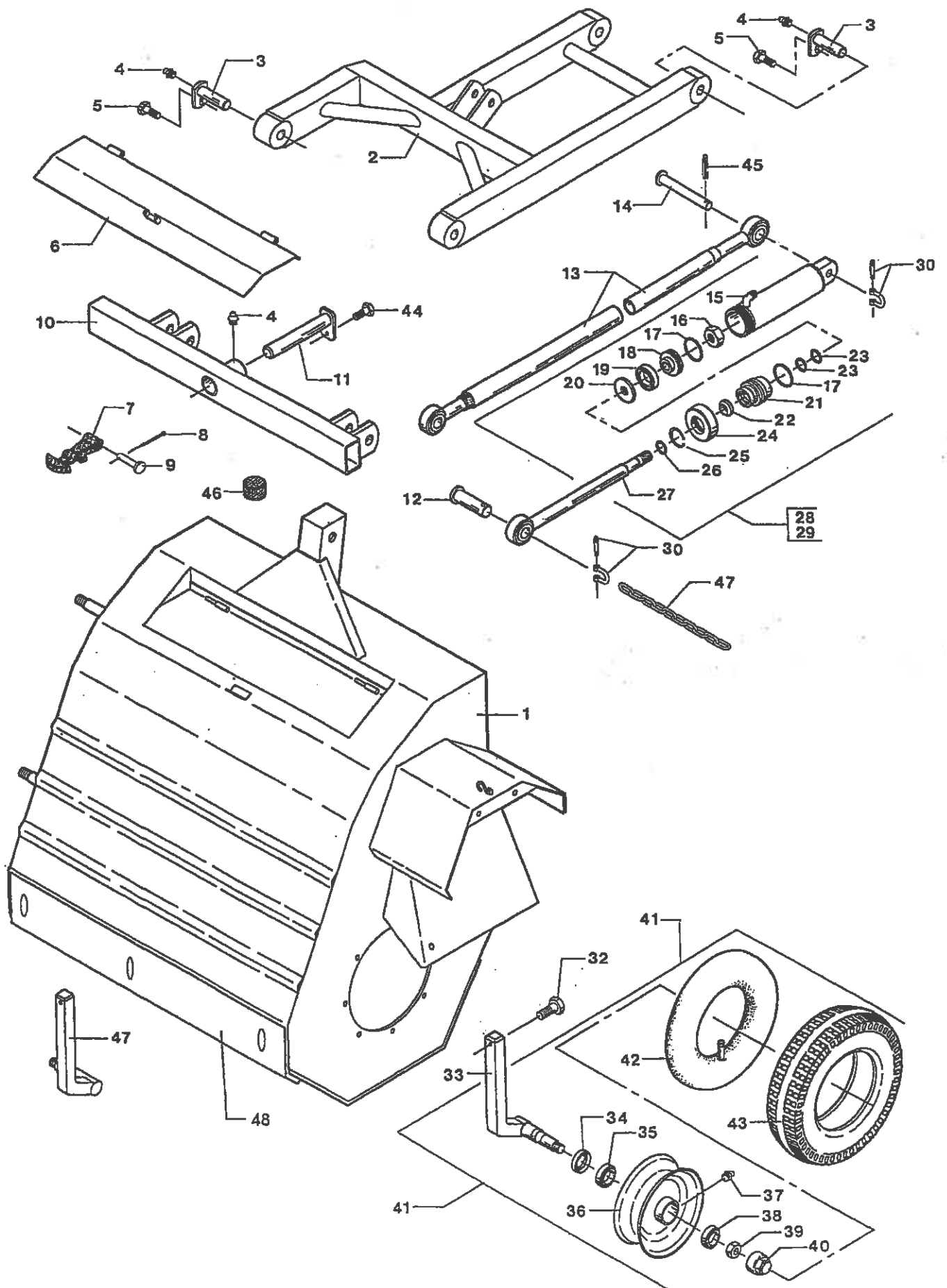
Drive f. flail pulveriser

Antrieb f. Schl.-Koepper

| | | | |
|-------------|--------------------------------------|-------------------------|--------------------------|
| 1 501251 | BOM FOR SLAGLER | BAR F. FLAILS | BAUM F. SCHLEGEL |
| 2 15162300 | FLANGELEJE FY 35 TF | FLANGED BEARING | FLANSCHENLAGER |
| 2 15108000 | LEJE F. FLANGE OG STÅLEJE YAR 207-2F | BEARING F/FLANGE+PED.B. | LAGER F/FL.+STEHLAGER |
| 2 15106700 | LEJEHUS F. FLANGELEJE FY 507M | FLANGED BEARING HOUSING | GEHAUSE/FLANSCHENLAGER |
| 3 13840800 | SMØRENIPPEL LIGE M6 X 1 MM | GREASE NIPPLE STRAIGHT | SCHMIERNIPPEL GERADE |
| 4 14089800 | SETS KRUE GROV M12 X 35 MM | SET SCREW | SETZSCHRAUBE |
| 5 14430700 | LÅSEMØTRIK M12 | LOCK NUT | GEGENMUTTER |
| 6 15242235 | KILEREMSKIVE 2B 150 Ø35 N8 STØBE | V-BELT PULLEY, CAST | KEILRIEMENSCHLEIBE, GUSS |
| 7 14631300 | HAGEKILE 8 X 7 X 45 MM | GIB KEY | NASENKEIL |
| 8 15255661 | KILEREM B62 (17 X 1575 MM) | V-BELT | KEILRIEMEN |
| 9 490933 | REMSTRAMMER KPL. | BELT TENSIONER CPL | RIEMENSPANNER KPL. |
| 10 501153 | ARM F. REMSTRAMMER | ARM F/BELT TENSIONER | ARM F/RIEMENSPANNER |
| 11 14091100 | SETS KRUE GROV M12 X 120 MM | SET SCREW | SETZSCHRAUBE |
| 12 14160600 | TAPSETS KRUE GROV M12 X 35 MM | STUD SET SCREW | ZAPFSETZSCHRAUBE |
| 13 15110801 | SPORKUGLELEJE ENREK. 6005-2RS | STEP BALL BEARING 1-R. | SPURKUGELLAGER 1-REIH. |
| 14 490932 | STRAMMERULLE Ø75 X 48 MM | TIGH. ROLLER | SPANNROLLE |
| 15 14642500 | SEEGERRING UDV. Ø25 MM | CIRCLIP | SICHERUNGSRING |
| 16 15233750 | KILEREMSKIVE 2B 250 Ø35 N8 STØBE | V-BELT PULLEY, CAST | KEILRIEMENSCHLEIBE, GUSS |
| 17 14617200 | DRIVKILE 8 X 7 X 45 MM | KEY | PASSFEDER |
| 18 15233131 | KILEREMSKIVE 1B 150 Ø35 NØ STØBE | V-BELT PULLEY, CAST | KEILRIEMENSCHLEIBE, GUSS |
| 19 490688 | AFSTANDSRING Ø45/Ø35 X 8 MM | SPACE RING | ABSTANDRING |
| 20 14686600 | SEEGERRING INDV. Ø80 MM | CIRCLIP | SICHERUNGSRING |
| 21 15113500 | SPORKUGLELEJE ENREK. 6307-RS | STEP BALL BEARING 1-R. | SPURKUGELLAGER 1-REIH. |
| 22 13841000 | SMØRENIPPEL LIGE M8 X 1 MM | GREASE NIPPLE STRAIGHT | SCHMIERNIPPEL GERADE |
| 23 477481 | DRIVAKSEL F/AFTOPPER Ø45 X 368 MM | DRIVE SHAFT F/TOPPER | TRIEBWELLE F/KOEPPER |
| 24 490660 | REMSTRAMMER KPL. | BELT TENSIONER CPL | RIEMENSPANNER KPL. |
| 25 501125 | ARM F. REMSTRAMMER | ARM F/BELT TENSIONER | ARM F/RIEMENSPANNER |
| 26 490659 | STRAMMEBOLT KPL. | TIGHTENING BOLT CPL. | SPANNBOLZEN KPL. |
| 27 14410700 | MØTRIK M12 | NUT | MUTTER |
| 28 14528000 | JERNSPLIT Ø5 X 20 MM | SPLIT PIN | EISENSPLINT |
| 29 490482 | REMSKIVE | PULLEY | RIEMENSCHLEIBE |
| 30 14642500 | SEEGERRING UDV. Ø25 MM | CIRCLIP | SICHERUNGSRING |
| 31 14685000 | SEEGERRING INDV. Ø52 MM | CIRCLIP | SICHERUNGSRING |
| 32 494996 | KILEREMSKIVE 1B Ø150 | V-BELT PULLEY | KEILRIEMENSCHLEIBE |
| 33 14644000 | SEEGERRING UDV. Ø 40 MM | CIRCLIP | SICHERUNGSRING |
| 34 13365900 | LABYRINTTETNING Ø80/40 X 6 MM | LABYRINTH SEAL | LABYRINTHDICHTUNG |
| 35 15112200 | SPORKUGLELEJE ENREK. 6208 | STEP BALL BEARING 1-R. | SPURKUGELLAGER 1-REIH. |
| 36 477019 | FLANGE Ø248/Ø100 X 150 MM | FLANGE | FLANSCH |
| 37 14089800 | SETS KRUE GROV M12 X 35 MM | SET SCREW | SETZSCHRAUBE |
| 38 14462700 | CENTERFJEDERSKIVE M12 | SPRING WASHER | FEDERSCHLEIBE |
| 39 14686600 | SEEGERRING INDV. Ø80 MM | CIRCLIP | SICHERUNGSRING |
| 40 477034 | FLANGE | FLANGE | FLANSCH |
| 41 477035 | SNEGL F. AFTOPPER 2 RK. 89 | AUGER F/PULVERISER 2-R. | SCHRAUBE F/KOEPPER 2-R. |
| 42 | WALTERSCHEID PTO-AKSLER | WALTERSCHEID PTO SHAFTS | WALTERSCHEID GELENKWELL |
| 42 15402110 | KRAFTAKSEL L=1060 | PTO SHAFT | GELENKWELLE |
| 42 15481800 | NÅLELEJEKRYDS W2300-210000 | UNIV. JOINT W/BEARINGS | KREUZGARNITUR |
| 42 15479005 | AGRASET HURTI GLÅS KPL. | AGRASET QUICK LOCK CPL | AGRASET SCHNELLSCHLOSS |
| 42 15436202 | FRIILØBSKOBLING F5/1L 1 3/8" W2300 | OVERRUNNING CLUTCH | FREILAUFKUPPLUNG |
| 43 | BONDIOLI PTO-AKSLER | BONDIOLI PTO SHAFTS | BONDIOLI GELENKWELLEN |
| 43 15419100 | KRAFTAKSEL L=1060MM | PTO SHAFT | GELENKWELLE |
| 43 15419101 | NÅLELEJEKRYDS 104 | UNIV. JOINT W/BEARINGS | KREUZGARNITUR |
| 43 15419104 | GAFFEL M/SNAPLÅS 104 | YOKE W/SNAP LOCK | GABEL M. SCHNAPPSCHLOSS |
| 43 15419107 | FRIILØBSKOBLING PA1 | OVERRUNNING CLUTCH | FREILAUFKUPPLUNG |



| | | | |
|-------------|-------------------------------------|-------------------------|------------------------|
| 43 15419109 | AGRASET F/FRILØBSKOBLING 104 | | |
| 46 15489000 | BESKYTTELSESTRAGT | GUARD FUNNEL | SCHUTZTRICHTER |
| 47 14085300 | SETS KRUE GROV M8 X 16 MM | SET SCREW | SETZSCHRAUBE |
| 48 14480200 | SPEC. SKIVE 25 X 8.5 X 2.0 MM | SPECIAL WASHER | SPEZIALSCHEIBE |
| 49 490657 | SKERM | GUARD | SCHIRM |
| 50 14430700 | LÅSEMØTRIK M12 | LOCK NUT | GEGENMUTTER |
| 51 14453000 | SVÆR SKIVE 1/2" | WASHER | SCHIBE |
| 52 15255655 | KILEREM B37 (17 X 925 MM) | V-BELT | KEILRIEMEN |
| 53 15436005 | SPEC. SIKKERHEDSKOBL. K31 50NM Ø30 | SPEC. SAFETY COUPLING | SPEZ. SICHERHEITSKUPP. |
| 54 14462500 | CENTERFJEDERSKIVE M8 | SPRING WASHER | FEDERSCHIBE |
| 55 14085300 | SETS KRUE GROV M8 X 16 MM | SET SCREW | SETZSCHRAUBE |
| 56 14480200 | SPEC. SKIVE 25 X 8.5 X 2.0 MM | SPECIAL WASHER | SPEZIALSCHEIBE |
| 57 14430700 | LÅSEMØTRIK M12 | LOCK NUT | GEGENMUTTER |
| 58 15510400 | VINKELGEARKASSE | RIGHT-ANGLE GEAR | WINKELGETRIEBE |
| 59 490655 | TOPSPREDER | TOP SPREADER | KOPFSTREUER |
| 60 14574400 | RØRSPENDESTIFT Ø8 X 40 MM | DOWEL | ROHRSPANNSTIFT |
| 61 14085500 | SETS KRUE GROV M8 X 25 MM | SET SCREW | SETZSCHRAUBE |
| 62 490895 | GUMMI V/TOPSPREDER 10 X 75 X 100 MM | RUBBER AT TOP SPREADER | GUMMI A/KOPFSTREUER |
| 63 14430300 | LÅSEMØTRIK M8 | LOCK NUT | GEGENMUTTER |
| 64 501131 | HOLDER F. GEARKASSE | HOLDER F/GEARBOX | HALTER F/GETRIEBE |
| 65 14045200 | MASKINBOLT GROV M10 X 120 MM | BOLT | BOLZEN |
| 66 14430500 | LÅSEMØTRIK M10 | LOCK NUT | GEGENMUTTER |
| 67 14087500 | SETS KRUE GROV M10 X 25 MM | SET SCREW | SETZSCHRAUBE |
| 68 15105300 | LEJEHUS FYTB 505M | BEARING HOUSING | LAGERGEHAEUSE |
| 68 15107800 | LEJE F.FLANGE OG STÅLEJE YAR 205-2F | BEARING F/FLANGE+PED.B. | LAGER F/FL.+STEHLAGER |
| 68 15175400 | FLANGELEJE OVAL FYTB 25 TF | FLANGED BEARING, OVAL | FLANSCHENLAGER, OVAL |
| 69 14089700 | SETS KRUE GROV M12 X 30 MM | SET SCREW | SETZSCHRAUBE |
| 70 13840800 | SMØRENIPPEN LIGE M6 X 1 MM | GREASE NIPPLE STRAIGHT | SCHMIERNIPPEN GERADE |
| 71 14284500 | UNBRACO MSP M8 X 16 MM | UNBRACO SCREW | UNBRACOSCHRAUBE |
| 72 14410400 | MØTRIK M8 | NUT | MUTTER |
| 73 490647 | UDKASTERSKERM | GUARD F/EJECTOR | SCHIRM F/AUSWERFER |
| 74 15111700 | SPORKUGLELEJE ENREK. 6205-2RS | STEP BALL BEARING 1-R. | SPURKUGELLAGER 1-REIH. |

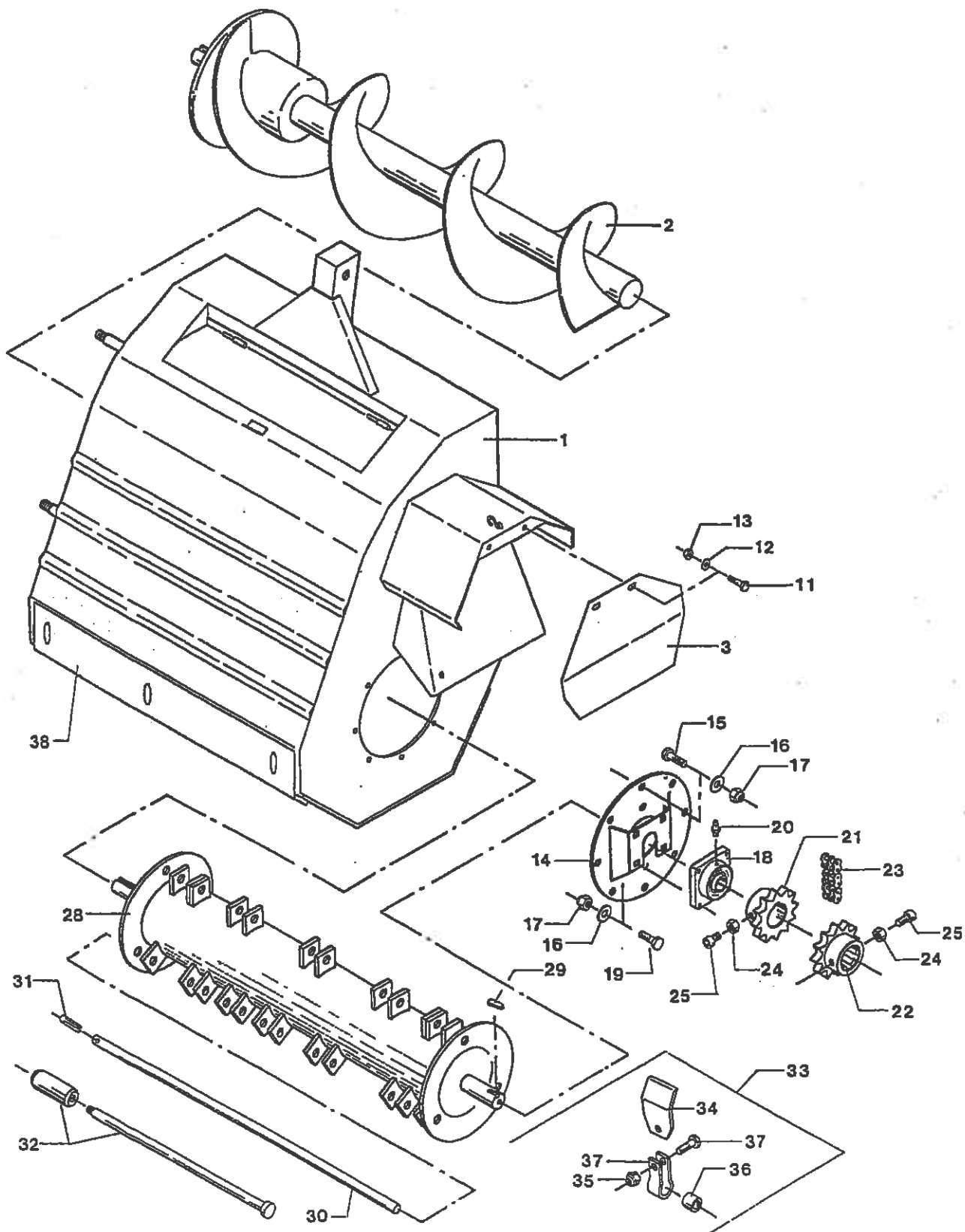


Ophæng, slagleftopper

Susp. f. flail pulveriser

Aufh. f. Schl.-Koeffer

| | | | |
|-------------|-------------------------------------|-------------------------|-------------------------|
| 1 490276 | HUS FOR SLAGLEFTOPPER 2-RK. | HOUSING F/PULVERISER | GEHÄUSE F/KOEPFER |
| 2 502839 | BÆRE RAMME F/AFTOPPER | CARR. FRAME/PULV. | TRAGRAHMEN/KOEPFER |
| 3 494984 | NAGLE MED SMØRING Ø25 X 85 MM | PIN W/GREASING | NAGEL M/SCHMIERUNG |
| 4 13841000 | SMØRENIPPPEL LIGE M6 X 1 MM | GREASE NIPPLE STRAIGHT | SCHMIERNIPPPEL GERADE |
| 5 14087400 | SÆTSKRUE GROV M10 X 20 MM | SET SCREW | SETZSCHRAUBE |
| 6 501657 | LÅGE KPL. 1986 | GATE CPL. | KLAPPE KPL. |
| 7 15312501 | GUMMISTROP 115 MM | RUBBER STRAP | GUMMISTROPP |
| 8 14510500 | SE 145-28400 | SEE 145-28400 | SIEHE 145-28400 |
| 9 14521000 | JERNSPLIT Ø2 X 12 MM | SPLIT PIN | EISENSPLINT |
| 10 490686 | LØFTEBOM 2-RK. | LIFTING BAR | HEBBAUM |
| 11 490665 | NAGLE | PIN | NAGEL |
| 12 471280 | NAGLE F. STJERTCYL. Ø19/10 X 72 MM | LONG PIN F/TAIL RAM | NAGEL LANG F/DEICH.ZYL. |
| 13 15853500 | FORLÆNGET TOPSTANG L=1250 MM | TOP BAR 1250 MM | OBERSTANGE 1250 MM |
| 14 444593 | NAGLE FOR CYL. V/AFT. Ø19/11X120 MM | PIN F/PULVERISER RAM | NAGEL F/KOEPFERZYLINDER |
| 15 444583 | CYLINDERRØR KPL. | CYLINDER TUBE CPL | ZYLINDERROHR KPL |
| 16 14408610 | STÅLMØTRIK UNF 1" | STEEL NUT | STAHLMUTTER |
| 17 13316000 | O-RING Ø53.34 X 5.33 MM | O-RING | O-RING |
| 18 471301 | MANCHETHOLDER Ø65 | OIL SEAL HOLDER | HALTER F/MANSCHETTE |
| 19 13345000 | NUTRING 40 X 65 X 12 MM | OIL SEAL | MANSCHETTE |
| 20 444350 | SKIVE FOR Ø65 RØR | DISC | SCHLEIBE |
| 21 491651 | STEMPELSTYR F. Ø65 RØR | PISTON GUIDE | KOLBENFUEHRUNG |
| 22 13387000 | AFSTRYGGER 30 X 40 X 7/10 MM | WIPER | ABSTREIFER |
| 23 13314000 | O-RING Ø29.75 X 3.53 MM | O-RING | O-RING |
| 24 471325 | TOPMØTRIK, LILLE Ø96.5/Ø46.7 X 32MM | TOP NUT, SMALL | KOPFMUTTER, KLEIN |
| 25 14652000 | SEEGERRING UDV. Ø50 MM | CIRCLIP | SICHERUNGSRING |
| 26 13312000 | O-RING Ø19.2 X 3 MM | O-RING | O-RING |
| 27 444582 | STEMPELSTANG Ø30 X 310 MM | PISTON ROD | KOLBENSTANGE |
| 28 444581 | CYLINDER FOR AFTOPPER | PULVERISER RAM | KOEPFERZYLINDER |
| 29 471284 | PAKNINGSSET E-Ø65/Ø30 | GASKET SET | DICHTSATZ |
| 30 14842600 | D-SJÆKEL F2B 1/2" | D-SHACKLE | D-SCHAEKEL |
| 31 443570 | KÆDE FOR UNDERMASKINE 7 LED | SUBFRAME CHAIN 7 LINKS | UNTERMASCH.KETTE 7 GL. |
| 32 14162400 | TAPSETSKRUE GROV M16 X 35 MM | STUD SET SCREW | ZAPFSETZSCHRAUBE |
| 33 419181 | HJULOPSTANDER, VENSTRE 2-RK. | WHEEL STALK LH | RADSTAENDER L. |
| 34 13374900 | TÆTNINGSPLADE Z-LAMEL Ø52/25 X 5 MM | SEAL RING | DICHTPLATTE |
| 35 15111600 | SPORKUGLELEJE ENREK. 6205 | STEP BALL BEARING 1-R. | SPURKUGELLAGER 1-REIH. |
| 36 15030102 | HJULÆRLG UDEN LEJER EK 2.50A X 8" | WHEEL RIM W.O. BEARINGS | RADFELGE OHNE LAGER |
| 37 13840800 | SMØRENIPPPEL LIGE M6 X 1 MM | GREASE NIPPLE STRAIGHT | SCHMIERNIPPPEL GERADE |
| 38 15113000 | SPORKUGLELEJE ENREK. 6304 | STEP BALL BEARING 1-R. | SPURKUGELLAGER 1-REIH. |
| 39 14431000 | LÅSEMØTRIK M16 | LOCK NUT | GEGENMUTTER |
| 40 15048100 | NAVKAPSEL NAGBØL Ø52 MM M/GEVIND | HUB CAP W/THREAD | NABENKAPSEL M/GEWINDE |
| 41 15051301 | ENDENAVSHJUL KPL. 4.00 X 8" - 6 PLY | END HUB WHEEL CPL | ENDNABENRAD KPL |
| 42 15015100 | SLANGE 4.00 X 8" | TUBE | SCHLAUCH |
| 43 15010000 | DEK MED MØNSTER 4.00 X 8" - 6 PLY | TYPE W/PATTERN | REIFEN M/MUSTER |
| 44 14085400 | SÆTSKRUE GROV M8 X 20 MM | SET SCREW | SETZSCHRAUBE |
| 45 14580700 | RØRSPÆNDESTIFT Ø12 X 50 MM | DOWEL | ROHRSPANNSTIFT |
| 46 17876500 | METALASTIK BUFFER Ø51 X 19 MM | RUBBER BUFFER W/BOLT | GUMMIPUFFER M/BOLZEN |
| 47 478112 | HJULOPSTANDER, HØJRE 2-PK. | WHEEL STALK RH | RADSTAENDER R. |
| 48 490940 | JUSTERKERM | GUARD | SCHIRM |

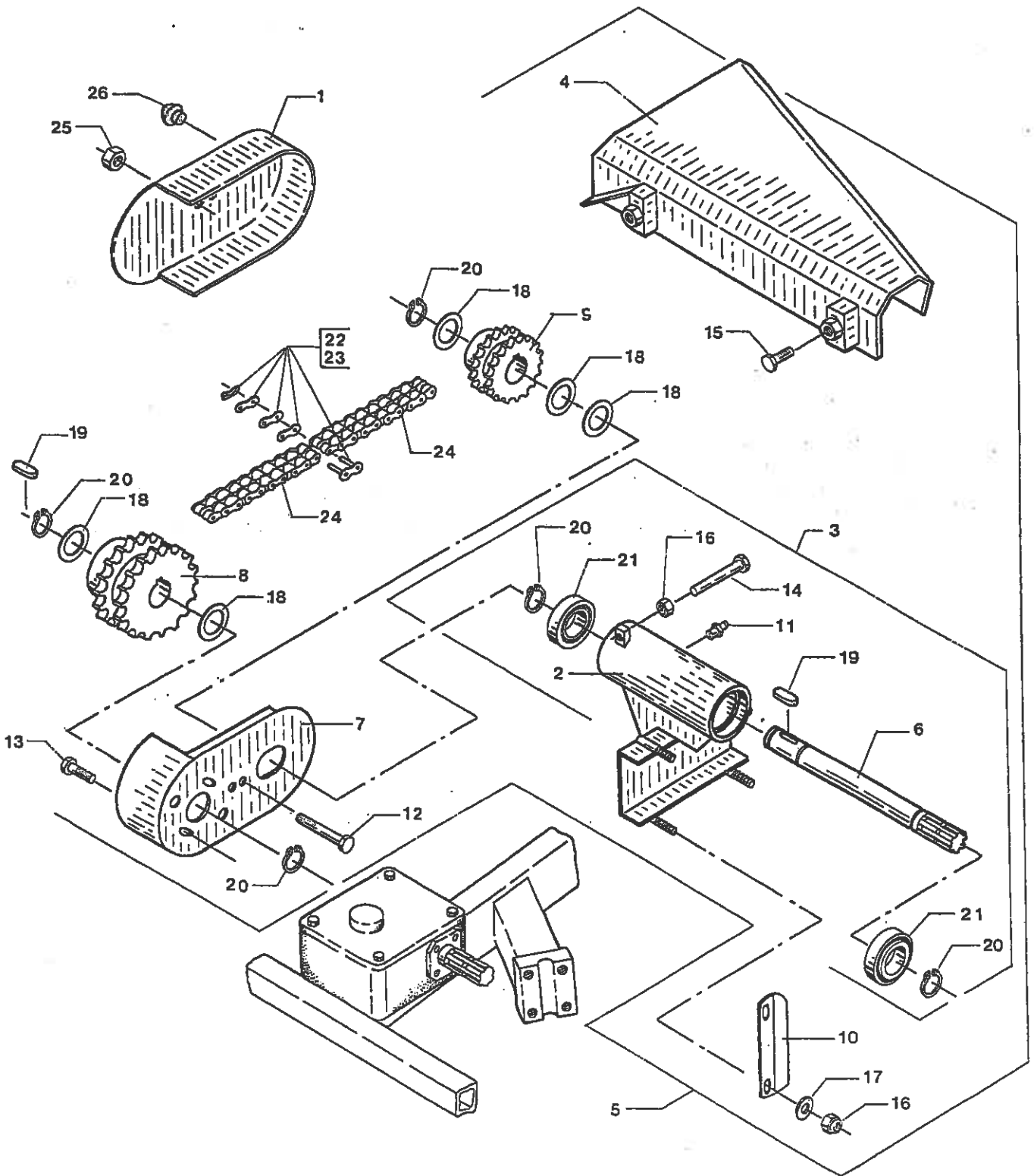


Bom + snegl, slagleaftopper

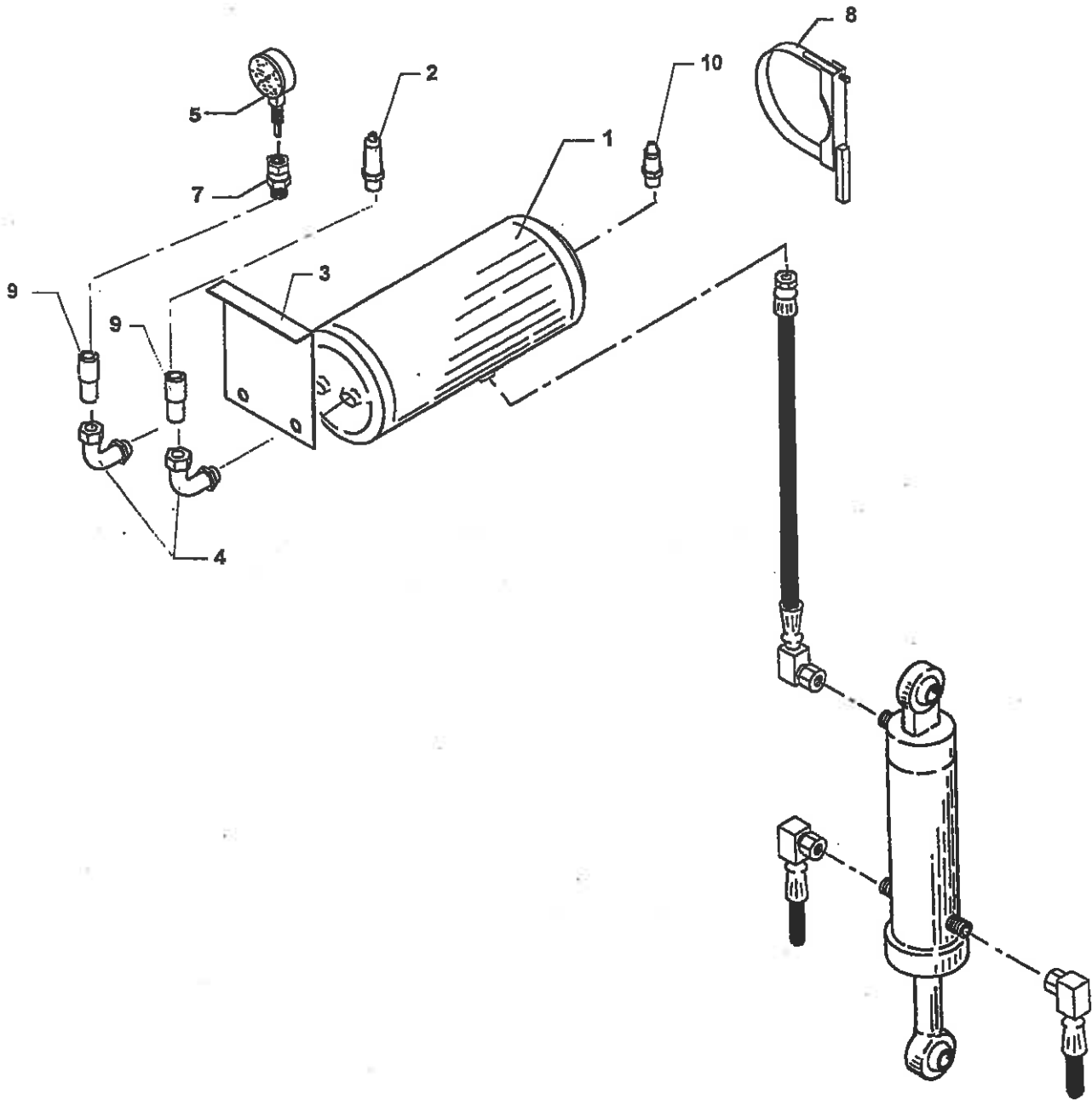
Bar + screw f. flail pulver.

Baum + Schraube f. Schl.Koepfe

| | | | |
|-------------|-------------------------------------|-------------------------|-------------------------|
| 1 490276 | HUS FOR SLAGLEAFTOPPER 2-RK. | HOUSING F/PULVERISER | GEHAUSE F/KOEPFER |
| 2 477035 | SNEGL F. AFTOPPER 2 RK. 89 | Auger F/PULVERISER 2-R. | SCHRAUBE F/KOEPFER 2-R. |
| 3 490894 | UDKASTERSKERM 2 X 300 X 417 MM | EJECTOR GUARD | AUSWERFERSCHIRM |
| 11 14087500 | SETSkrue Grov M10 X 25 MM | SET SCREW | SETZSCHRAUBE |
| 12 14440400 | SVÆR SKIVE 10.5 X 21 X 2 MM | WASHER | SCHEIBE |
| 13 14430500 | LÅSEMØTRIK M10 | LOCK NUT | GEGENMUTTER |
| 14 501126 | FLANGE F. LEJE | FLANGE F/BEARING | FLANSCH F/LAGER |
| 15 14089600 | SETSkrue Grov M12 X 25 MM | SET SCREW | SETZSCHRAUBE |
| 16 14453000 | SVÆR SKIVE 1/2" | WASHER | SCHEIBE |
| 17 14430700 | LÅSEMØTRIK M12 | LOCK NUT | GEGENMUTTER |
| 18 15162300 | FLANGELEJE FY 35 TF | FLANGED BEARING | FLANSCHENLAGER |
| 18 15108000 | LEJE F.FLANGE OG STÅLEJE YAR 207-2F | BEARING F/FLANGE+PED.B. | LAGER F/FL.+STEHLAGER |
| 18 15106700 | LEJEHUS F. FLANGELEJE FY 507M | FLANGED BEARING HOUSING | GEHAUSE/FLANSCHENLAGER |
| 19 14089700 | SETSkrue Grov M12 X 30 MM | SET SCREW | SETZSCHRAUBE |
| 20 13840800 | SMØRENIPPEL LIGE M6 X 1 MM | GREASE NIPPLE STRAIGHT | SCHMIERNIPPEL GERADE |
| 21 419160 | KEDEHJ. 3/4"-12PDR-Ø35-N8-M/NAV | SPROCKET 12T. W/HUB | KETTENRAD 12Z. M/WABE |
| 22 490667 | KEDEHJ. 3/4"-12T. M/MANGENOT 1 3/8" | SPROCKET | KETTENRAD |
| 23 15221006 | RULLEKæDE DUP. 3/4"X7/16"X11L.210MM | ROLLER CHAIN 11 LINKS | ROLLENKETTE 11 GLIED |
| 23 15215900 | SAMLELED LIGE 3/4" X 11.68MM(7/16") | JOINT LINK STRAIGHT | SAMMELGLIED GERADE |
| 24 14410400 | MØTRIK M8 | NUT | MUTTER |
| 25 14236600 | UNBRACO MC 8 X 20 MM | UNBRACO SCREW | UNBRACOSCHRAUBE |
| 28 501251 | BOM FOR SLAGLER | BAR F. FLAILS | BAUM F. SCHLEGEL |
| 29 14607410 | PASSFEDER 8 X 7 X 20 MM | KEY | PASSFEDER |
| 30 501851 | AKSEL FOR KNIVE Ø20 X 850 MM | SHAFT F. KNIVES | WELLE F. MESSER |
| 31 14574400 | RØRSPENDESTIFT Ø8 X 40 MM | DOWEL | ROHRSPANNSTIFT |
| 32 490141 | AFTRÆKKER KPL. F/SLAGLEAFTOPPER | DISMANTLING DEVICE CPL. | ABZIEHGERÆT KPL. |
| 33 19010000 | KNIV KPL. | KNIFE CPL | MESSER KPL |
| 34 19010001 | KNIV | KNIFE | MESSER |
| 35 19010002 | KNIVHOLDER | KNIFE HOLDER | MESSERHALTER |
| 36 19010003 | BØSNING F. KNIVHOLDER | BUSH F. KNIFE HOLDER | BUCHSE F. MESSERHALTER |
| 37 19010004 | BOLT M. MØTRIK | BOLT W. NUT | BOLZEN M. MUTTER |
| 38 490940 | JUSTERSKERM | GUARD | SCHIRM |



| Reduktionsgear | Reduction gear | Untersetzungsgetriebe |
|----------------|-------------------------------------|-------------------------|
| 1 477156 | FORSKERM F. REDUKTIONSGEAR | FRONT GUARD/REDUC.GEAR |
| 2 490247 | LEJEHUS | BEARING HOUSING |
| 3 490249 | LEJEHUS KPL. | BEARING HOUSING CPL |
| 4 490256 | SKERM KPL. | GUARD CPL |
| 5 490257 | VARIABLET GEAR KPL MIIS, MIISA * | VARIABLET GEAR CPL. |
| 6 477164 | AKSEL F. REDUKTIONSG. Ø35X385 PASF. | REDUCTION GEAR SHAFT |
| 7 477160 | BAGSKERM F. REDUKTIONSGEAR | REAR GUARD/REDUCT. GEAR |
| 8 477162 | KØDEHJ.3/4" 21 TDR Ø35 M10 DUP.PASF | SPROCKET 21 T |
| 9 477161 | KØDEHJ.3/4" 15 TDR Ø35 M10 DUP.PASF | SPROCKET 15 T |
| 10 491579 | BESLAG 8 X 65 X 180 MM | CLAMP |
| 11 13828300 | SMØRENIPPEL 90 GR. MF8 X 1 MM | GREASE NIPPLE |
| 12 14045000 | MASKINBOLT GROV M10 X 100 MM | BOLT |
| 13 14087700 | SETS KRUE GROV M10 X 35 MM | SET SCREW |
| 14 14047000 | MASKINBOLT GROV M12 X 120 MM | BOLT |
| 15 14159700 | TAPSETSKRUE GROV M10 X 20 MM | STUD SET SCREW |
| 16 14430700 | LÅSEMØTRIK M12 | LOCK NUT |
| 17 14453000 | SVÆR SKIVE 1/2" | WASHER |
| 18 14481310 | SPEC. SKIVE 48 X 35.5 X 1.0 MM | SPECIAL WASHER |
| 19 14608318 | PASFEDER 10 X 8 X 36 MM | KEY |
| 20 14643500 | SEEGERRING UDV. Ø35 MM | CIRCLIP |
| 21 15113500 | SPORKUGLELEJE ENREK. 6307-RS | STEP BALL BEARING 1-R. |
| 22 15210900 | SAMLELED FORKR. 3/4"X11.68MM(7/16") | JOINT LINK CRANKED |
| 23 15215900 | SAMLELED LIGE 3/4" X 11.68MM(7/16") | JOINT LINK STRAIGHT |
| 24 15221019 | RULLEKÆDE DUP.3/4"X7/16"X34L.648 MM | ROLLER CHAIN 34 LINKS |
| 25 14430500 | LÅSEMØTRIK M10 | LOCK NUT |
| 26 13230010 | GUMMIPROP | RUBBER PLUG |
| | | VO.SCHIRM/UNTERS.-GETR. |
| | | LAGERGEHÆUSE |
| | | LAGERGEHÆUSE KPL |
| | | SCHIRM KPL |
| | | UNTERSÆTZUNGSGETR. KPL. |
| | | WELLE F/UNTERSÆTZ.-GET. |
| | | HI.SCHIRM/UNTERS.-GETR. |
| | | KETTENRAD 21 Z |
| | | KETTENRAD 15 Z |
| | | BESCHLAG |
| | | SCHMIERNIPPEL |
| | | BOLZEN |
| | | SETZSCHRAUBE |
| | | BOLZEN |
| | | ZAPFSETZSCHRAUBE |
| | | GEGENMUTTER |
| | | SCHEIBE |
| | | SPEZIALSCHEIBE |
| | | PASSFEDER |
| | | SICHERUNGSRING |
| | | SPURKUGELLAGER 1-REIH. |
| | | SAMMELGLIED VERKROEFT |
| | | SAMMELGLIED GERADE |
| | | ROLLENKETTE 34 GLIED |
| | | GEGENMUTTER |
| | | GUMMIPROFFEN |



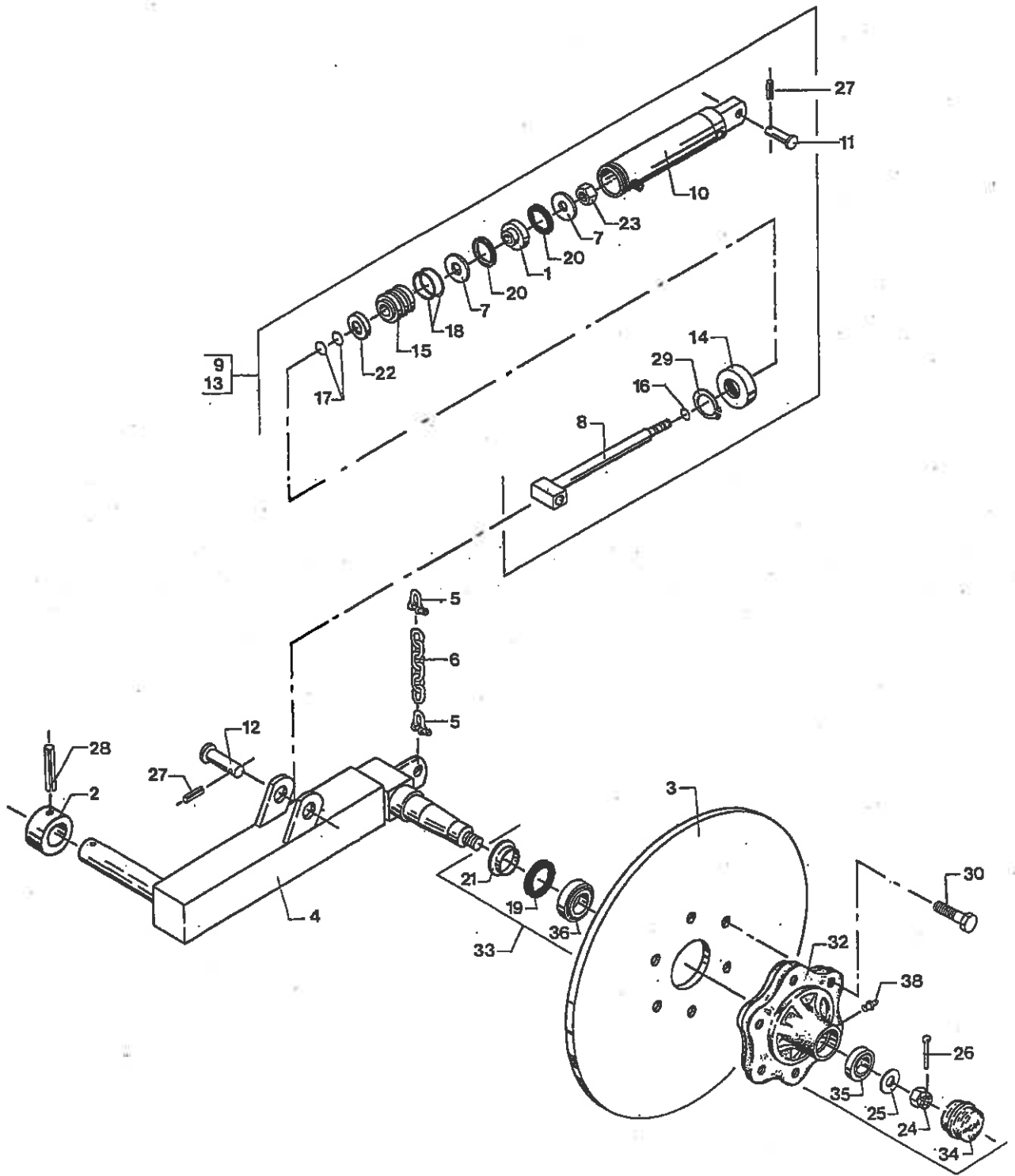
MIISA-TE120 / KRB/S-212 RESERVEDELSLISTE MED TILBEHØR
 MIISA-TE120 / KRB/S-212 SPARE PARTS LIST WITH ACCESSORIES
 MIISA-TE120 / KRB/S-212 ERSATZTEILLISTE MIT ZUBEHÖER

Hydrofor

Pressure accumulator

Druckbehälter

| | | | | |
|----|----------|------------------------------------|-------------------------|------------------------|
| 1 | 13621000 | TRYKLUFTBEHOLDER 18L Ø225 X 570 MM | COMPR. AIR CONTAINER | DRUCKLUFTBEHÄLTER |
| 2 | 13637000 | SIKKERHEDSVENTIL 10 BAR - 1/4" BSP | SAFETY VALVE | SICHERHEITSVENTIL |
| 3 | 478186 | BESKYTTELSEPLADE F/MANOMETER | GUARD | SCHIRM |
| 4 | 13456359 | VINKELSKOTFORSKRUNING EMBØ15 | ELBOW SCREWED CONNECTIO | WINKELVERSCHRAUBUNG |
| 5 | 13632500 | LUFTMANOMETER 0-10 BAR - 1/4" BSP | AIR MANOMETER | LUFTMANOMETER |
| 6 | | | | |
| 7 | 13632599 | MANOMETERNIPPEL M/O-RING 1/4" | NIPPLE FOR MANOMETER | NIPPEL F/LUFTMANOMETER |
| 8 | 478160 | SPÆNDERBÅND F HYDRAFORE | CLIP F HYDRAFORE | SPANNRING F HYDRAFORE |
| 9 | 445203 | OVERGANGSSTYKKE Ø15 X 50 MM | CONNECTING PIECE | UEBERGANGSSTUECK |
| 10 | 13637500 | PUMPENIPPEL | PUMP NIPPLE | PUMPENIPPEL |



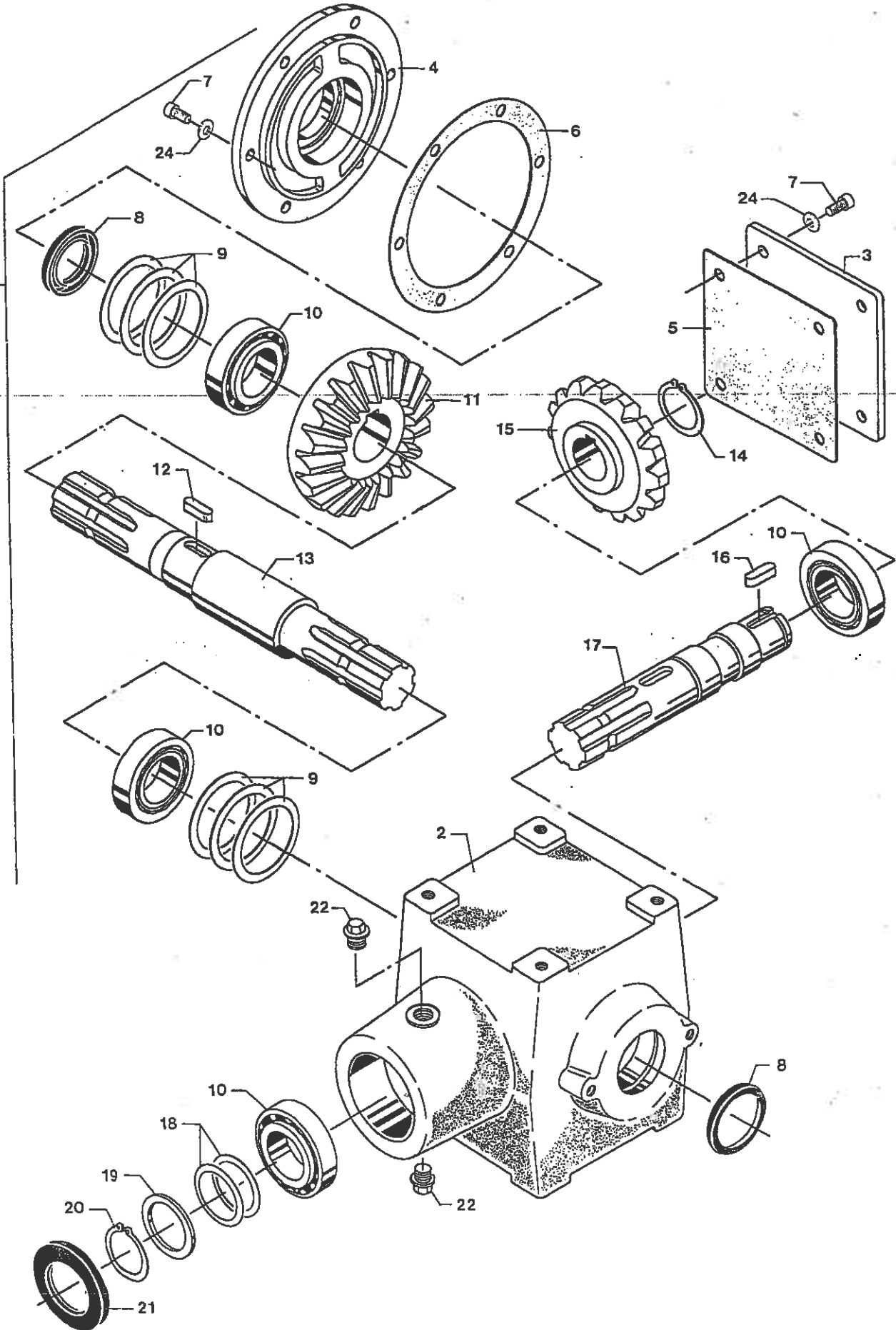
Styreskive

Stabilizer disc

Hangscheibe

| | | | |
|-------------|-------------------------------------|-------------------------|-------------------------|
| 1 350211 | MANCHETHOLDER DOB. Ø65 | SLEEVE HOLDER DOUBLE | HALTER F/MANSCH. DOPPEL |
| 2 443504 | STOPRING STOR Ø71/Ø36 X 37 MM | STOP RING, LARGE | HALTERING, GROSS |
| 3 443518 | STYRESKIVE Ø700 X 12 MM | STABILIZER DISC | HANGSCHEIBE |
| 4 445158 | UDLÆGGERARM KPL. | BRACKET ARM CPL. | AUSLEGERARM KPL. |
| 5 14842500 | D-SJÆKEL FZB 3/8" | D-SHACKLE | D-SCHAEKEL |
| 6 502443 | OPHÆNGSKÆDE F/STYRESKIVE | SUSP. CHAIN F/STAB.DISC | AUFH.-KETTE F/HANGSCHE. |
| 7 444350 | SKIVE FOR Ø65 RØR | DISC | SCHEIBE |
| 8 471208 | STEMPEL F. CYLINDER V/STJÆRT | PISTON F/TAIL RAM | KOLBEN F/DEICHELZYL. |
| 9 471227 | CYLINDER F. SIDESTYR KPL. | SIDE STEERING RAM CPL | SEITENSTEUERZYLINDER KP |
| 10 471228 | CYLINDERØRØR KPL. | CYLINDER TUBE CPL | ZYLINDERROHR KPL |
| 11 471230 | LÅSETAP F. CYLINDER V/STJÆRT Ø19X45 | LINCH PIN F/TAIL RAM | SPERRZAPFEN/DEICHS.ZYL. |
| 12 471280 | NAGLE F. STJÆRTCYL. Ø19/10 X 72 MM | LONG PIN F/TAIL RAM | NAGEL LANG F/DEICH.ZYL. |
| 13 471283 | PAKNINGSSÆT D65/30 | GASKET SET | DICHTSATZ |
| 14 471325 | TOPMØTRIK, LILLE Ø96.5/Ø46.7 X 32MM | TOP NUT, SMALL | KOPFMUTTER, KLEIN |
| 15 491651 | STEMPELSTYR F. Ø65 RØR | PISTON GUIDE | KOLBENFUEHRUNG |
| 16 13312000 | O-RING Ø19.2 X 3 MM | O-RING | O-RING |
| 17 13314000 | O-RING Ø29.75 X 3.53 MM | O-RING | O-RING |
| 18 13316000 | O-RING Ø53.34 X 5.33 MM | O-RING | O-RING |
| 19 13333200 | SIMMERRING 55 X 75 X 10 MM | OIL SEAL | ÖELFANGRING |
| 20 13345000 | NUTRING 40 X 65 X 12 MM | OIL SEAL | MANSCHETTE |
| 21 13374700 | TÆTNINGSPLADE HDL45 Ø72.4/52.5 | SEAL RING | DICHTPLATTE |
| 22 13387000 | ÆSTRYGER 30 X 40 X 7/10 MM | WIPER | ABSTREIFER |
| 23 14408610 | STÅLMØTRIK UNF 1" | STEEL NUT | STAHLMUTTER |
| 24 14439010 | KRONEMØTRIK MF30 X 1.5 MM | CASTELLATED NUT | KRONEMUTTER |
| 25 14441200 | SVÆR SKIVE 28 X 50 X 4 MM | WASHER | SCHEIBE |
| 26 14528600 | JERNSPILT Ø5 X 50 MM | SPLIT PIN | EISENSPLINT |
| 27 14574600 | RØRSPÆNDESTIFT Ø8 X 50 MM | DOWEL | ROHRSPANNSTIFT |
| 28 14582100 | RØRSPÆNDESTIFT Ø13 X 70 MM | DOWEL | ROHRSPANNSTIFT |
| 29 14652000 | SEEGERRING UDV. Ø50 MM | CIRCLIP | SICHERUNGSPRING |
| 30 15021100 | NAVBOLT M/FLANGE M18 X 2.5 X 45 MM | HUB BOLT W/FLANGE | NABBOLZEN M/FLANSCH |
| 32 15043910 | NAVHUS HDL45 6/161/205 | HUB HOUSING | NABENGEHÄUSE |
| 33 15043911 | NAVHUS KPL. HDL45 6/160/205 | HUB HOUSING CPL | NABENGEHÄUSE KPL |
| 34 15048700 | NAVKAPSEL HDL 45 NAGBØL Ø63MM U/GE. | HUB CAP WO/THREAD | NABENKAPSEL O/GEWINDE |
| 35 15193000 | R-LEJE KON.TIMKEN 68149/110 Ø35INDV | CONE ROLLER BEARING | KEGELROLLENLAGER |
| 36 15194000 | R-LEJE KON.TIMKEN 102949/910 Ø45/80 | CONE ROLLER BEARING | KEGELROLLENLAGER |
| 38 13810800 | DRIVNIPPEL 6 MM | GREASE NIPPLE | TRIEBNIPPEL |

1
23
25



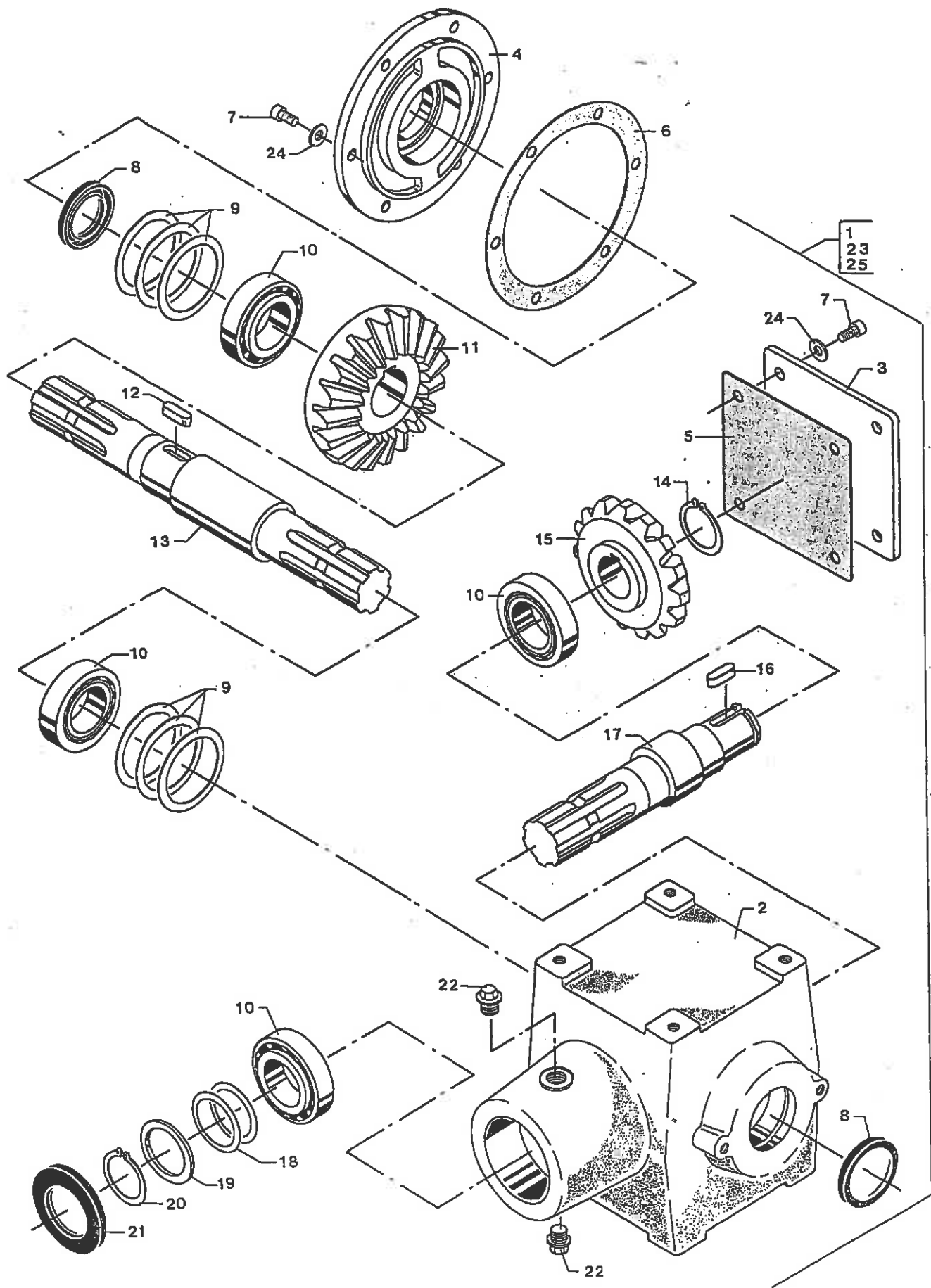
63.0

Gearkasse 155-12200

Gearbox 155-12200

Getriebe 155-12200

| | | | |
|-------------|-------------------------------------|------------------------|-------------------------|
| 1 15512200 | GEARKASSE 1:1 3-VEJS | GEARBOX 3-WAY | GETRIEBE 3-WEG |
| 2 15513001 | GEARHUS | GEARBOX HOUSING | GETRIEBEGEHAUSE |
| 3 15512202 | DÆKSEL, LUKKET | COVER, CLOSED | DECKEL, GESCHL. |
| 4 15512210 | DÆKSEL, ÅBEN | COVER, OPEN | DECKEL, OFFEN |
| 5 15512203 | PAKNING 1 MM | GASKET | DICHTUNG |
| 6 15512204 | PAKNING 0.25 MM | GASKET | DICHTUNG |
| 7 14256600 | UNBRACO MC 8 X 20 MM | UNBRACO SCREW | UNBRACOSCHRAUBE |
| 8 13327700 | SIMMERRING 35 X 47 X 7 MM | OIL SEAL | ÖLFANGRING |
| 9 15512206 | MELLEMLÆG Ø62 X 0.22 MM | FILLER | ZWISCHENLAGE |
| 10 15144500 | RULLELEJE KONISK 32007 | CONE ROLLER BEARING | KEGELROLLENLAGER |
| 11 15512209 | KRONHJUL Z=15 | CROWN WHEEL | KRONRAD |
| 12 14608313 | PASSFEDER 10 X 8 X 25 MM | KEY | PASSFEDER |
| 13 15512213 | KRONHJULSAKSEL Ø35 X 330/13/8X13/8 | CROWN WH. SPLINE SHAFT | KRONRADWELLE M/ANSCHLU. |
| 14 14643000 | SEEGERRING UDV. Ø30 MM | CIRCLIP | SICHERUNGSRING |
| 15 15586000 | KONISK TANDEJUL 15 TDR. | BEVEL GEAR 15T. | KEGELRAD 15Z. |
| 16 14607410 | PASSFEDER 8 X 7 X 20 MM | KEY | PASSFEDER |
| 17 15512212 | SPIDSHJULSAKSEL - MANGENOT | PINION SPLINE SHAFT | KEGELRADWELLE M/ANSCHL. |
| 18 15512205 | MELLEMLÆG Ø45 X Ø35 X 0.22 MM | FILLER | ZWISCHENLAGE |
| 19 15512207 | STØTTESKIVE Ø35/Ø45 X 2.5 MM | SUPPORT DISC | STÜTZSCHEIBE |
| 20 14643500 | SEEGERRING UDV. Ø35 MM | CIRCLIP | SICHERUNGSRING |
| 21 13327900 | SIMMERRING 35 X 62 X 7 MM | OIL SEAL | ÖLFANGRING |
| 22 13431300 | HYDR. RØRPROP 1/2"K BSP | HYDR. PIPE PLUG | HYDR. ROHRPROFFEN |
| 23 503101 | PAKNINGSSÆT F.155-12200/12600/13000 | GASKET SET | DICHTSATZ |
| 24 14450100 | LET SKIVE 1/4" | WASHER | SCHIBE |
| 25 503300 | LEJES.F.155-12200/12600/11300/13100 | BEARING SET | LAGERSATZ |

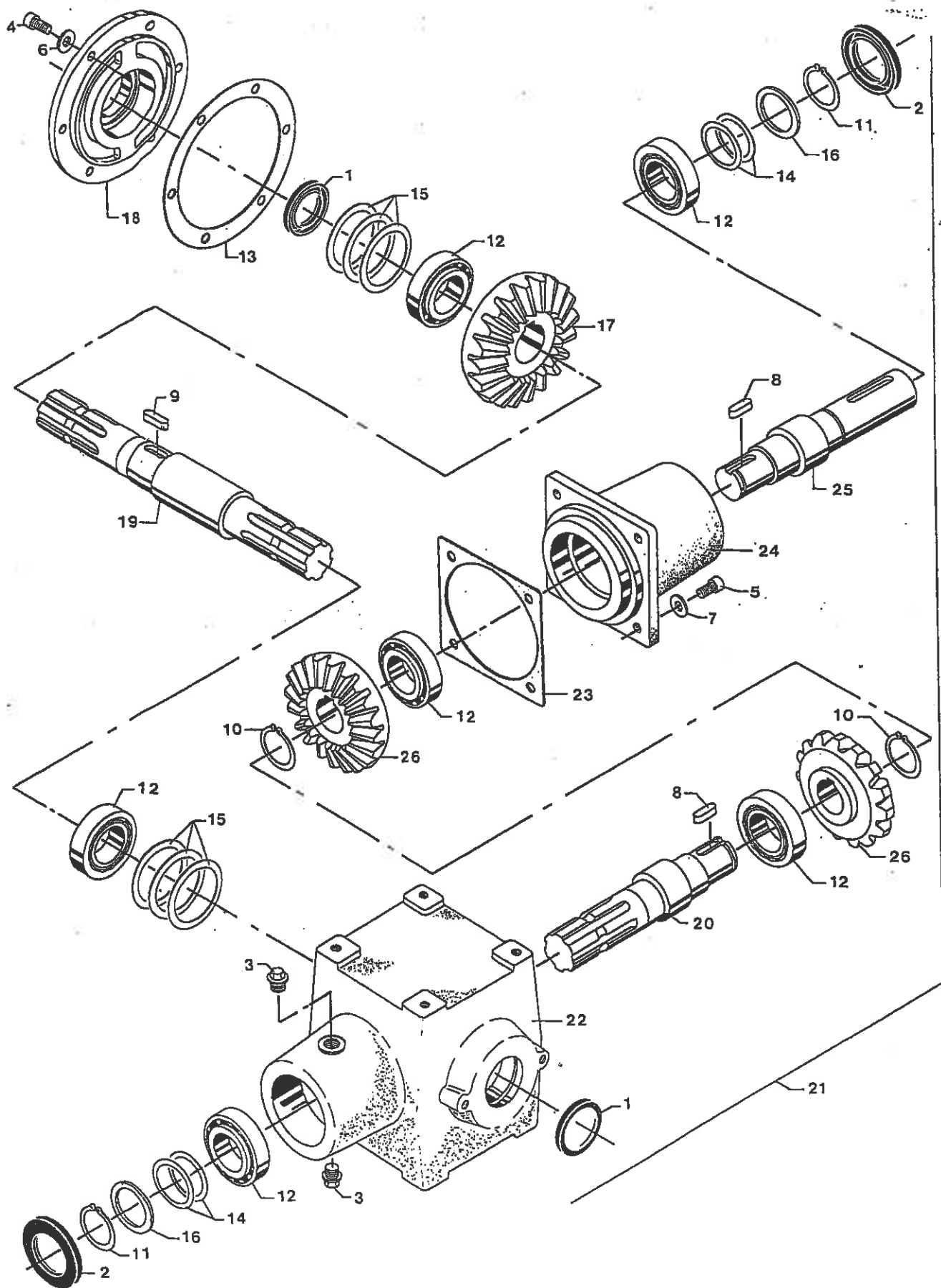


Gearkasse 155-13000

Gearbox 155-13000

Getriebe 155-13000

| | | | |
|-------------|-------------------------------------|------------------------|-------------------------|
| 1 15513000 | GEARKASSE 1:1 3-VEJS | GEARBOX 3-WAY | GETRIEBE 3-WEG |
| 2 15513001 | GEARHUS | GEARBOX HOUSING | GETRIEBEGEHAEUSE |
| 3 15512202 | DEKSEL, LUKKET | COVER, CLOSED | DECKEL, GESCHL. |
| 4 15512210 | DEKSEL, ÅBEN | COVER, OPEN | DECKEL, OFFEN |
| 5 15512203 | PAKNING 1 MM | GASKET | DICHTUNG |
| 6 15512204 | PAKNING 0.25 MM | GASKET | DICHTUNG |
| 7 14256600 | UNBRACO MC 8 X 20 MM | UNBRACO SCREW | UNBRACOSCHRAUBE |
| 8 13327700 | SIMMERRING 35 X 47 X 7 MM | OIL SEAL | OELFANGRING |
| 9 15512206 | MELLEMLÆG Ø62 X 0.22 MM | FILLER | ZWISCHENLAGE |
| 10 15144500 | RULLELEJE KONISK 32007 | CONE ROLLER BEARING | KEGELROLLENLAGER |
| 11 15512209 | KRONHJUL Z-15 | CROWN WHEEL | KRONRAD |
| 12 14608313 | PASFEDER 10 X 8 X 25 MM | KEY | PASSFEDER |
| 13 15512213 | KRONHJULSAKSEL Ø35 X 330/13/8X13/8 | CROWN WH. SPLINE SHAFT | KRONRADWELLE M/ANSCHLU. |
| 14 14643000 | SEEGERRING UDV. Ø30 MM | CIRCLIP | SICHERUNGSRING |
| 15 15586000 | KONISK TANDHJUL 15 TDR. | BEVEL GEAR 15T. | KEGELRAD 15Z. |
| 16 14607412 | PASFEDER 8 X 7 X 25 MM | KEY | PASSFEDER |
| 17 15513102 | SPIDSHJULSAKSEL - MANGENOT | PINION SPLINE SHAFT | KEGELRADWELLE M/ANSCHL. |
| 18 15512205 | MELLEMLÆG Ø45 X Ø35 X 0.22 MM | FILLER | ZWISCHENLAGE |
| 19 15512207 | STØTTESKIVE Ø35/Ø45 X 2.5 MM | SUPPORT DISC | STUETZSCHEIBE |
| 20 14643500 | SEEGERRING UDV. Ø35 MM | CIRCLIP | SICHERUNGSRING |
| 21 13327900 | SIMMERRING 35 X 62 X 7 MM | OIL SEAL | OELFANGRING |
| 22 13431300 | HYDR. RØRPROP 1/2"K BSP | HYDR. PIPE PLUG | HYDR. ROHRPROPFEN |
| 23 503101 | PAKNINGSSÆT F.155-12200/12600/13000 | GASKET SET | DICHTSATZ |
| 25 503300 | LEVES.F.155-12200/12600/11300/13100 | BEARING SET | LAGERSATZ |

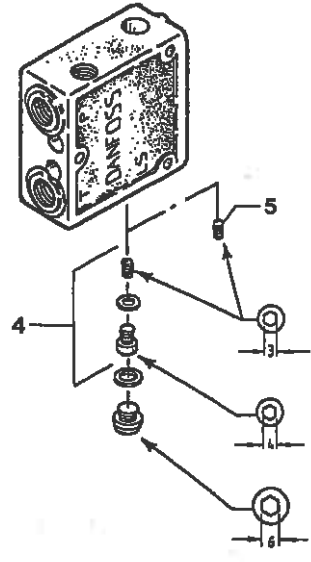
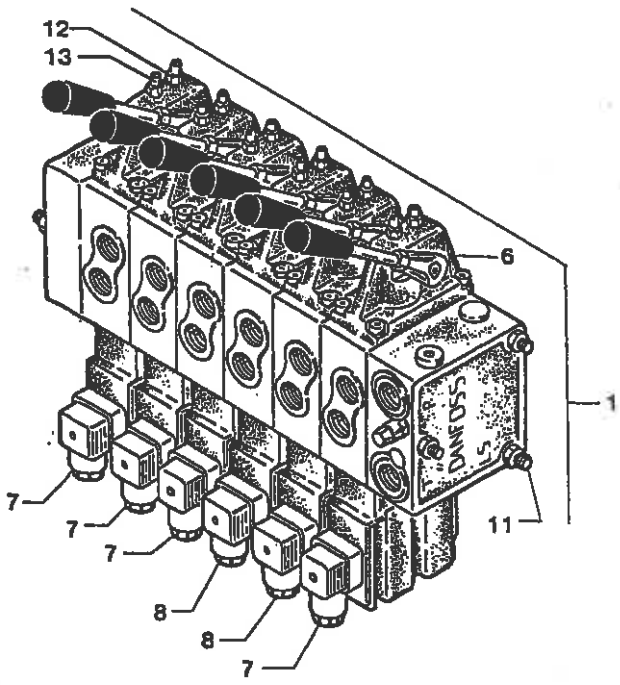


Gearkasse 155-13200

Gearbox 155-13200

Getriebe 155-13200

| | | | |
|-------------|------------------------------------|------------------------|-------------------------|
| 1 13327700 | SIMMERRING 35 X 47 X 7 MM | OIL SEAL | OELFANGRING |
| 2 13327900 | SIMMERRING 35 X 62 X 7 MM | OIL SEAL | OELFANGRING |
| 3 13431300 | HYDR. RØRROP 1/2"K BSP | HYDR. PIPE PLUG | HYDR. ROHRPROPFEN |
| 4 14256600 | UNBRACO MC 8 X 20 MM | UNBRACO SCREW | UNBRACOSCHRAUBE |
| 5 14258400 | UNBRACO MC 10 X 25 MM | UNBRACO SCREW | UNBRACOSCHRAUBE |
| 6 14450100 | LET SKIVE 1/4" | WASHER | SCHEIBE |
| 7 14443100 | PLAN SKIVE 10.5 X 21 X 2 MM | FACE PLATE | PLANSCHET |
| 8 14607412 | PASFEDER 8 X 7 X 25 MM | KEY | PASSFEDER |
| 9 14608313 | PASFEDER 10 X 8 X 25 MM | KEY | PASSFEDER |
| 10 14643000 | SEEGERRING UDV. Ø30 MM | CIRCLIP | SICHERUNGSRING |
| 11 14643500 | SEEGERRING UDV. Ø35 MM | CIRCLIP | SICHERUNGSRING |
| 12 15144500 | RULLELEJE KONISK 32007 | CONE ROLLER BEARING | KEGELROLLENLAGER |
| 13 15512204 | PAKNING 0.25 MM | GASKET | DICHTUNG |
| 14 15512205 | MELLEMLÆG Ø45 X Ø35 X 0.22 MM | FILLER | ZWISCHENLAGE |
| 15 15512206 | MELLEMLÆG Ø62 X 0.22 MM | FILLER | ZWISCHENLAGE |
| 16 15512207 | STØTTESKIVE Ø35/Ø45 X 2.5 MM | SUPPORT DISC | STÜTZSCHEIBE |
| 17 15512209 | KRONHJUL Z=15 | CROWN WHEEL | KRONRAD |
| 18 15512210 | DEKSEL, ÅBEN | COVER, OPEN | DECKEL, OFFEN |
| 19 15512213 | KRONHJULSAKSEL Ø35 X 330/13/8X13/8 | CROWN WH. SPLINE SHAFT | KRONRADWELLE M/ANSCHLU. |
| 20 15513102 | SPIDSHJULSAKSEL - MANGENOT | FINION SPLINE SHAFT | KEGELRADWELLE M/ANSCHL. |
| 21 15513200 | GEARKASSE 4-VEJS | GEARBOX 4-WAY | GETRIEBE 4-WEG |
| 22 15513201 | GEARKASSEHUS 4-VEJS | GEARBOX HOUSING 4-WAY | GETRIEBEGEHÄUSE 4-WEG |
| 23 15513203 | PAKNING | GASKET | DICHTUNG |
| 24 15513204 | LØS HALS | LOOSE NECK | LOSER HALS |
| 25 15513205 | UDGANGSAKSEL Ø30 X 180 MM | OUTPUT SHAFT | AUSGANGSWELLE |
| 26 15586000 | KONISK TANDHJUL 15 TDR. | BEVEL GEAR 15T. | KEGELRAD 15Z. |



Danfoss FVG 32 137-89301

Danfoss FVG 32 137-89301

Danfoss FVG 32 137-89301

| | | | |
|-------------|-------------------------------------|-------------------------|-------------------------|
| 1 13789301 | VENTILC. 6SEKT FVG32 12V (157N3925) | HYDR. EL. VALVE BLOCK | HYDR. EL. STEUERBLOCK |
| 4 502937 | JOHN DEERE SET F/DANFOSS FVG32 | J.D. SET /DANFOSS FVG32 | J.D. SATZ/DANFOSS FVG32 |
| 5 14283400 | UNBRACO MSP 6 X 10 MM | UNBRACO SCREW | UNBRACOSCHRAUBE |
| 6 13793010 | HÅNDTAGSSHUS KPL. FVM 32 (157B3010) | HANDLE HOUSING CPL. | HANDGRIFGEHÆUSE KPL. |
| 6 13792019 | PAK.SET F/HÅNDTAGSSHUS (157B399900) | GASKET SET F/HANDLE HO. | DICHTSATZ F/HANDGR.-GE. |
| 7 13793002 | EL-AKT.FVEO32/ON-OFF12V(157B4212) | EL. ACTIVATOR | EL-BETAETIGER |
| 7 13793020 | PAKNINGSSÆT F/EL-MODUL (157B499900) | GASKET SET | DICHTSATZ |
| 8 13793003 | ELAKTIV. FVEM 12V (157B4116) | EL. ACTIV. FVEM | EL-BETAET. FVEM |
| 8 13793020 | PAKNINGSSÆT F/EL-MODUL (157B499900) | GASKET SET | DICHTSATZ |
| 11 13793017 | PAKN.SÆT M/BOLT 6SEKT (157B8006) | GASKET SET W/BOLT | DICHTSATZ M/BOLZEN |
| 12 13792021 | MØT. M/TEIN. FVM32 6MM (681X8270) | NUT | MUTTER |
| 13 13792022 | JUSTERSKRUE FVM32 - M6 (681X3299) | ADJUSTING SCREW | STELLSCHRAUBE |

