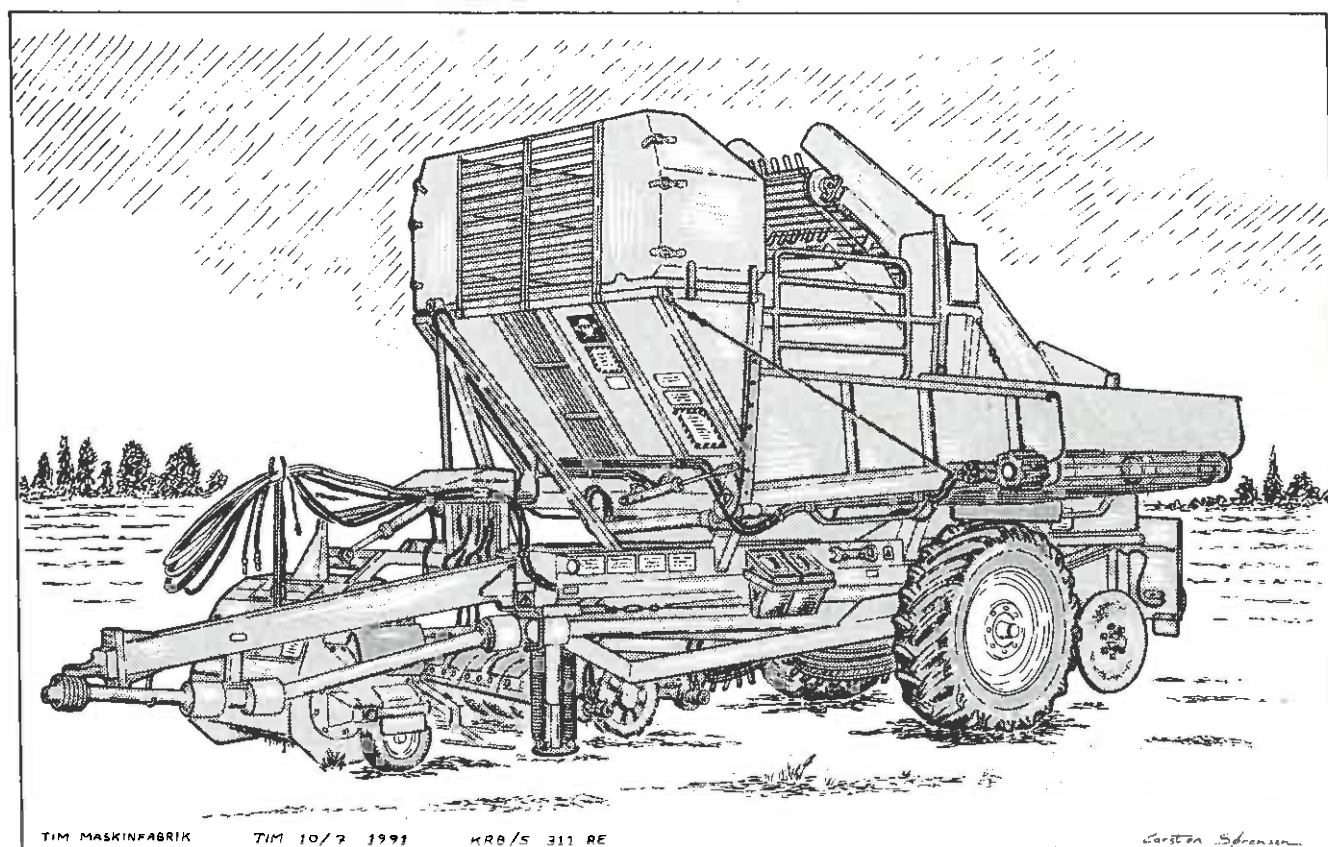


RESERVEDELSLISTE MED TILBEHØR
ERSATZTEILLISTE MIT ZUBEHÖR
SPARE PARTS LIST WITH ACCESSORIES
RESERVEDELSLISTA MED TILLBEHÖR

MIISA TE105
KRB/S 312



Katalog nr.

Catalog No.

Katalog nr.

7045

1993



TIM MASKINFABRIK A/S

Fabriksvej 13. 6980 Tim. Danmark

Telefon: 97 33 31 44

Telefax: 97 33 35 44

Telex: 62440 Tim dk

| | Indholdsfortegnelse | Contents | Inhaltsverzeichnis |
|-------|---------------------------------|--------------------------------|---------------------------------|
| 1/00 | Hovedramme | Main frame | Hauptrahmen |
| 2/00 | Oversigt + drev | Survey + drive | Übersicht + Antrieb |
| 3/00 | Undermaskine | Underframe | Untermaschine |
| 4/00 | Hjul | Wheel | Rad |
| 6/00 | Tryklufsbremser | Air brakes | Luftdruckbremse |
| 7/00 | Trykluftsbeholder | Air container | Druckbehälter |
| 8/00 | Hydr. sideregulering af hjul | Hydr. side adjustment of wheel | Hydr. Seitenregulierung von Rad |
| 10/00 | Hydr. støtteben | Hydr. support leg | Hydr. Stützbein |
| 12/00 | Lysanlæg - D | Traffic lights - D | Beleuchtungsanlage - D |
| 12/01 | Lysanlæg - DK | Traffic lights - DK | Beleuchtungsanlage - DK |
| 14/00 | Kraftaksel | P.T.O. shaft | Gelenkwelle |
| 15/00 | Stjært + drev 1 - D | Drawbar + drive 1 - D | Deichsel + Antrieb 1 - D |
| 15/01 | Stjært + drev 1 - DK | Drawbar + drive 1 - DK | Deichsel + Antrieb 1 - DK |
| 16/00 | Drev 2 | Drive 2 | Antrieb 2 |
| 17/00 | Drev 3 | Drive 3 | Antrieb 3 |
| 18/00 | Forreste gear + pumper - D | Front gear + pumps - D | Vor. Getriebe + Pumpen - D |
| 18/01 | Forreste gear + pumper - DK | Front gear + pumps - DK | Vor. Getriebe + Pumpen - DK |
| 19/00 | Bageste gear + pumper | Rear gear + pumps | Hint. Getriebe + Pumpen |
| 20/00 | Forreste grenhjul | Front spider | Vorderes Siebrad |
| 21/00 | Bageste grenhjul | Rear spider | Hinteres Siebrad |
| 22/00 | Fast ramme, holl. bagende | Fixed elevator frame | Fester Elevatorrahmen |
| 23/00 | Bevægelig rensebånd | Movable cleaning belt | Bewegl. Reinigungsband |
| 24/00 | Omløbshjul f. elevatorbånd | Turn wheel f. elev. belt | Umlaufrad f/Elev.-band |
| 25/00 | Gennemgående aksel f. rensebånd | Thr.-going sh. f/cl.belt | Durchg. Welle f/Rei.-band |
| 26/00 | Afskærmning f/holl. bagende- D | Guards f/rear end - D | Schirme f/holl. Hinterende - D |
| 26/01 | Afskærmning f/holl. bag. - DK | Guards f/rear end - DK | Schirme f/holl. Hinterend. - DK |

| | Indholdsfortegnelse | Contents | Inhaltsverzeichnis |
|-------|----------------------------------|---------------------------|-----------------------------|
| 27/00 | Bev. elevatorramme + skærme | Movable el.frame + guards | Bew. El.-rahmen+Schirme |
| 28/00 | Elevatortop + løftecylinder | Elevator top + lift ram | Ele.-überteil + Hubzylinder |
| 29/00 | Reguleringscylinder f/holl. bag. | Adj. ram f/Dutch rear | Regulierzyl. f/Holl.-Hi. |
| 30/00 | Beslag i undermaskine | Fitting, undermachine | Beschlag, Untermaschine |
| 31/00 | Tromler i undermaskine | Drum f/undermachine | Trommel f/Untermaschine |
| 32/00 | Gummidaskere + afdækning | Rubber paddles + cover | Gummipaddel + Abschirm. |
| 33/00 | Hydr. indføringsrulle | Hydr. feeding rolle | Hydr. Einführungsrolle |
| 34/00 | Oppel hjul | Lifting wheel | Oppelrad |
| 35/00 | Aut. sidestyring | Aut. side steering | Aut Seitenssteuerung |
| 36/00 | Aut. el-sidestyring | El. self-steering | Aut. el. Lenkung |
| 37/00 | Aut. dybderegulering | Aut. depth control | Aut. Tiefenregulierung |
| 38/00 | Aut. el-dybderegulering | Aut. el depth control | Aut. el Tiefenregul. |
| 39/00 | Afpudser | Scalper | Nachkoepfer |
| 40/00 | Langsgående slaglepudser | Lengthw. going flails | Laengsputzer |
| 41/00 | Kabeltræk | Cable control | Kabelbedienung |
| 42/00 | El-box | Electric box | El.-kasten |
| 43/00 | El-diagram for elevator | El. diagram f/elevator | Schalt-schema f/Elevator |
| 45/00 | Tank for forreste hydr. del | Tank f/front hydr. | Bunker f/Vorderes hydr. |
| 46/00 | Tank for bageste hydr. del | Tank f/rear hydr. | Bunker f/Hinteres hydr. |
| 48/00 | Stjært- og dybdecylinder | Drawb. + depth ram | Deichs.- + Tiefenzylinder |
| 49/00 | Cylinder for tankelevator | Ram for tank elevator | Zylinder f. Bunkeralevator |
| 50/00 | Cylinder i elevator | Ram in elevator | Zylinder im Elevator |
| 51/00 | Elevator | Elevator | Elevator |
| 52/00 | Drev f/rotoraftopper | Drive f. pulveriser | Antrieb f. Koepfer |
| 53/00 | Ophæng for rotoraftopper | Susp. f. pulveriser | Aufh. f. Koepfer |
| 54/00 | Rotor. aftopper | Rotor, pulveriser | Rotor, Koepfer |

| | Indholdsfortegnelse | Contents | Inhaltsverzeichnis |
|-------|------------------------------|---------------------------------|-----------------------------|
| 55/00 | Drev for slagleafter | Drive f. flail pulveriser | Antrieb f. Scgl.-Koeper |
| 56/00 | Ophang for slagleafter | Sosp. f. flail pulveriser | Aufh. f. Schl.-Koeper |
| 57/00 | Bom + snegl f. slagleafter | Bar + screw f. flail pulveriser | Baum + Schraube f. Schl.-K. |
| 58/00 | Hydrofor | Pressure accumulator | Druckbehaelter |
| 59/00 | Styreskive | Stabilizer disc | Hangscheibe |
| 60/00 | Gearkasse 155-10800 | Gearbox 155-10800 | Getriebe 155-10800 |
| 61/00 | Gearkasse 155-13000 | Gearbox 155-13000 | Getriebe 155-13000 |
| 70/00 | Ventilcentral 137-20700 | Valve block 137-20700 | Steuerblock 137-20700 |
| 71/00 | Diverse ventiler | Various valves | Verschiedene Ventile |
| 72/00 | Danfoss PVG 32 | Danfoss PVG 320 | Danfoss PVG 32 |
| 75/00 | Ekst. hydr. anlæg (alm.) | External hydr. system | Externe Oelanlage |
| 76/00 | Ekst. hydr. anlæg (el-hydr.) | External hydr. system/el. | Externr Oelanlage/E1. |
| 77/00 | Forreste internt hydr. anlæg | Front intern. hydr. system | Vord. interne Oelanlage |
| 78/00 | Bageste interne hydr. anlæg | Rear intern. hydr. system | Hinter interne Oelanlage |

Brug altid
TIM
reservedele

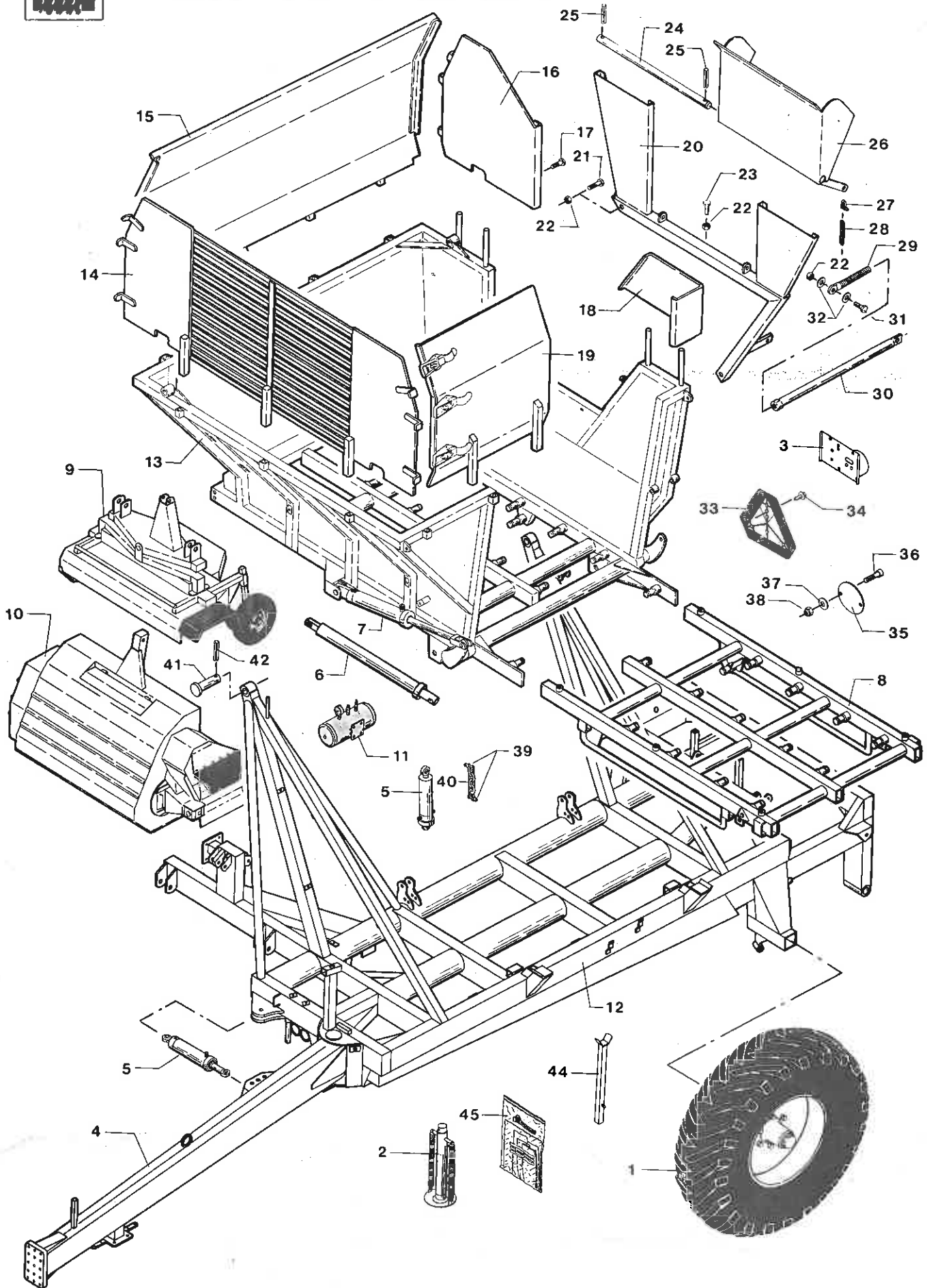
Always use
TIM
spare parts

Benutzen Sie immer
TIM
Ersatzteile

Använd alltid
TIM
reservdelar



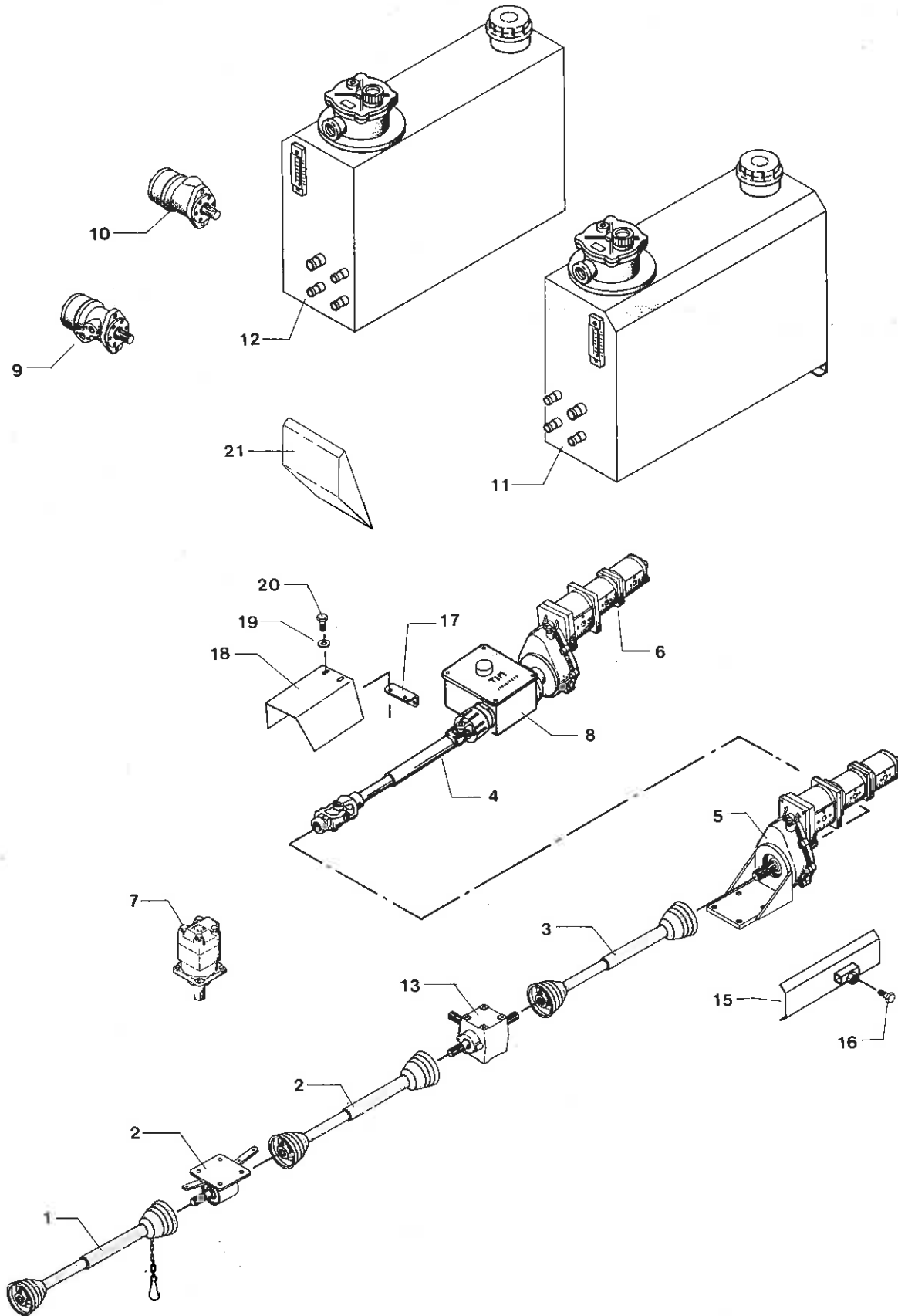
MIISA TE105 KRB/S 311 RE



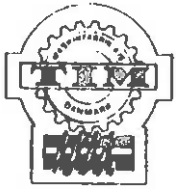
| Hovedramme | Main frame | Hauptrahmen |
|-------------|-------------------------------------|---|
| 1 | SIDE 4.0 | PAGE 4.0 SEITE 4.0 |
| 2 | SIDE 10.0 | PAGE 10.0 SEITE 10.0 |
| 3 | SIDE 12.0/12.1 | PAGE 12.0/12.1 SEITE 12.0/12.1 |
| 4 | SIDE 15.0/15.1 | PAGE 15.0/15.1 SEITE 15.0/15.1 |
| 5 | SIDE 48.0 | PAGE 48.0 SEITE 48.0 |
| 6 | SIDE 49.0 | PAGE 49.0 SEITE 49.0 |
| 7 | SIDE 50.0 | PAGE 50.0 SEITE 50.0 |
| 8 | SIDE 51.0 | PAGE 51.0 SEITE 51.0 |
| 9 | SIDE 52.0 TIL 54.0 | PAGE 52.0 TO 54.0 SEITE 52.0 ZU 54.0 |
| 10 | SIDE 55.0 TIL 57.0 | PAGE 55.0 TO 57.0 SEITE 55.0 ZU 57.0 |
| 11 | SIDE 58.0 | PAGE 58.0 SEITE 58.0 |
| 12 477257 | HOVEDDRAMME MIIIS-TE TYSK | MAIN FRAME MIIIS-TE D HAUPTTRAHMEN MIIIS-TE D |
| 13 478000 | STOR TE-TANK | BIG TE-TANK GROSSER TE-BUNKER |
| 14 492374 | FORRESTE GITTER | FRONT GRATE VORDERGITTER |
| 15 478008 | HØJRE SIDESKÆRM F/STOR AFLÆSSELEV. | RH SIDE GUARD/BIG UNL.E R. SEITENSCH./GR.ABL.EL |
| 16 492364 | HØJRE BAGESTE SKÆRM | RH REAR GUARD R. HINTERSCHIRM |
| 17 14159700 | TAPSETSKRUE GROV M10 X 20 MM | STUD SET SCREW ZAPFSETZSCHRAUBE |
| 18 476105 | HJØRNEPLADE F. MIIS/MIIIS-TEA | CORNER PLATE ECKPLATTE |
| 19 492366 | VENSTRE FORRESTE SKÆRM | LH FRONT GUARD L. VORDERSCHEIRM |
| 20 475036 | BAGGAVL | REAR GABLE HINTERWAND |
| 21 14090700 | SÆTSKRUE GROV M12 X 80 MM | SET SCREW SETZSCHRAUBE |
| 22 14430700 | LÅSEMØTRIK M12 | LOCK NUT GEGENMUTTER |
| 23 14089800 | SÆTSKRUE GROV M12 X 35 MM | SET SCREW SETZSCHRAUBE |
| 24 476132 | AKSEL Ø19 X 970 MM | SHAFT WELLE |
| 25 14528400 | JERNSPLIT Ø5 X 40 MM | SPLIT PIN EISENSPLINT |
| 26 476103 | BEVÆGELIG LUKKEPLADE F. TE TANK | MOVAB. CLOS. PLATE/TANK BEWEGL. SCHLISSPL./BU. |
| 27 14842200 | D-SJÆKEL FZB 5/16" | D-SHACKLE D-SCHAEKEL |
| 28 14785000 | TRÆKFJEDER 1 ØJE 2 ENDER Ø5.5 X Ø46 | TENSION SPRING ZIEHFEDER |
| 29 419593 | STRAMMEBOLT | TIGHTENING BOLT SPANNBOLZEN |
| 30 492958 | STØTTE F. BAGGAVL MIIIS-TE | SUPPORT F/REAR END STUETZE F/HINTERWAND |
| 31 14089800 | SÆTSKRUE GROV M12 X 35 MM | SET SCREW SETZSCHRAUBE |
| 32 14453000 | SVÆR SKIVE 1/2" | WASHER SCHEIBE |
| 33 12550651 | REFLEXTREKANT STOR - RØD (PLAST) | REFL. TRIANGLE BIG. RED REFLEXDREIECK GROSS.ROT |
| 34 14203800 | PLADESKRUE M/SKIVE | SHEET SCREW W/DISC PL.-SCHRAUBE M/SCHIEBE |
| 35 12441000 | SKILT 25 KM/H | SIGN SCHILD |
| 36 14183500 | JERNMASKINSKRUE M5 X 16 MM | SCREW SCHRAUBE |
| 37 14440000 | SVÆR SKIVE 5.3 X 10 X 1 MM | WASHER SCHEIBE |
| 38 14430000 | LÅSEMØTRIK M5 | LOCK NUT GEGENMUTTER |
| 39 14842600 | D-SJÆKEL FZB 1/2" | D-SHACKLE D-SCHAEKEL |
| 40 443767 | KÆDE FOR SLIDSKE 3 LED | CHUTE CHAIN 3-LINKS KETTE F/RUTSCHE 3-GLIED |
| 41 460902 | NAGLE F. TANK Ø40/10 X 152 MM | PIN F. TANK NAGEL F/BUNKER |
| 42 14579300 | RØRSPENDESTIFT Ø10 X 75 MM | DOWEL ROHRSPANNSTIFT |
| 44 419876 | TANKSTØTTE | TANK SUPPORT BUNKERSTUETZE |
| 45 502376 | SET TRANSFER MIIS-MIIIS - DK | SET TRANSFERS - DK SATZ AUFKLEBER - DK |
| 45 502377 | SET TRANSFER KRB 201/311 - D | SET TRANSFERS KRB - D SATZ AUFKLEBER KRB - D |



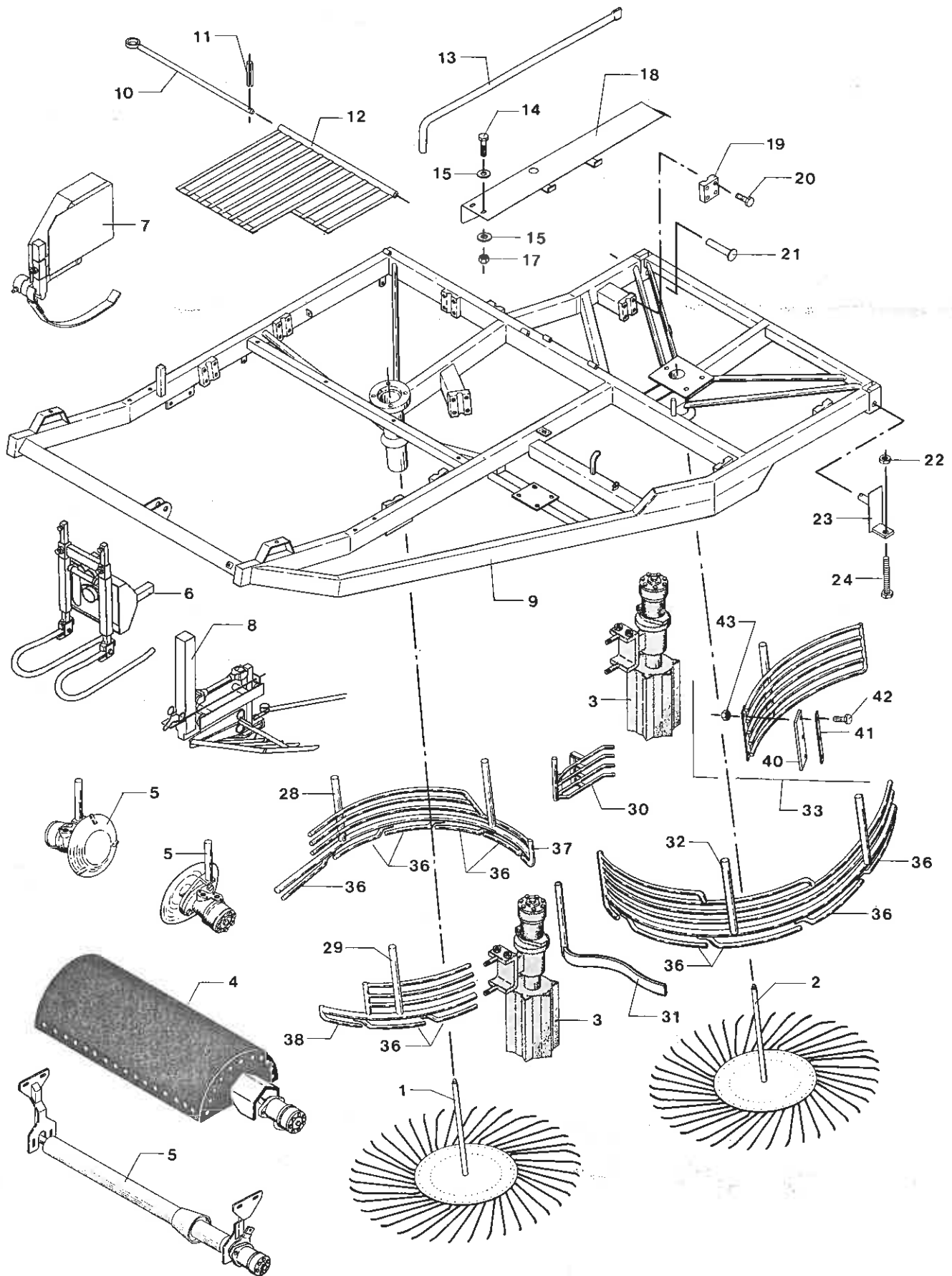
MIISA TE105 KRB/S 311 RE



| Oversigt + drev | Survey + drive | Übersicht + Antrieb |
|-----------------|-------------------------------|--|
| 1 | SIDE 14.0 | PAGE 14.0 SEITE 14.0 |
| 2 | SIDE 15.0 | PAGE 15.0 SEITE 15.0 |
| 3 | SIDE 16.0 | PAGE 16.0 SEITE 16.0 |
| 4 | SIDE 17.0 | PAGE 17.0 SEITE 17.0 |
| 5 | SIDE 18.0 | PAGE 18.0 SEITE 18.0 |
| 6 | SIDE 19.0 | PAGE 19.0 SEITE 19.0 |
| 7 | SIDE 20.0 | PAGE 20.0 SEITE 20.0 |
| 8 | SIDE 21.0 | PAGE 21.0 SEITE 21.0 |
| 9 | SIDE 23.0 | PAGE 23.0 SEITE 23.0 |
| 10 | SIDE 28.0 | PAGE 28.0 SEITE 28.0 |
| 11 | SIDE 45.0 | PAGE 45.0 SEITE 45.0 |
| 12 | SIDE 46.0 | PAGE 46.0 SEITE 46.0 |
| 13 | SIDE 61.0 | PAGE 61.0 SEITE 61.0 |
| 15 490860 | SKÆRM FOR KRAFTAKSEL | GUARD F/PTO SHAFT SCHIRM F/GELENKWELLE |
| 16 14159700 | TAPSÆTSKRUE GROV M10 X 20 MM | STUD SET SCREW ZAPFSETZSCHRAUBE |
| 17 490838 | SPÆNDEBESLAG FOR SKÆRM | GUARD CLAMP SPANNBESCHLAG F/SCHIRM |
| 18 490837 | SKÆRM OVER KRAFTAKSEL | GUARD OVER PTO SHAFT SCHIRM UEBER GELENKWEL. |
| 19 14085300 | SETS KRUE GROV M8 X 16 MM | SET SCREW SETZSCHRAUBE |
| 20 14480200 | SPEC. SKIVE 25 X 8.5 X 2.0 MM | SPECIAL WASHER SPEZIALSCHEIBE |
| 21 494936 | SKÆRM FOR VENTIL | GUARD SCHIRM |



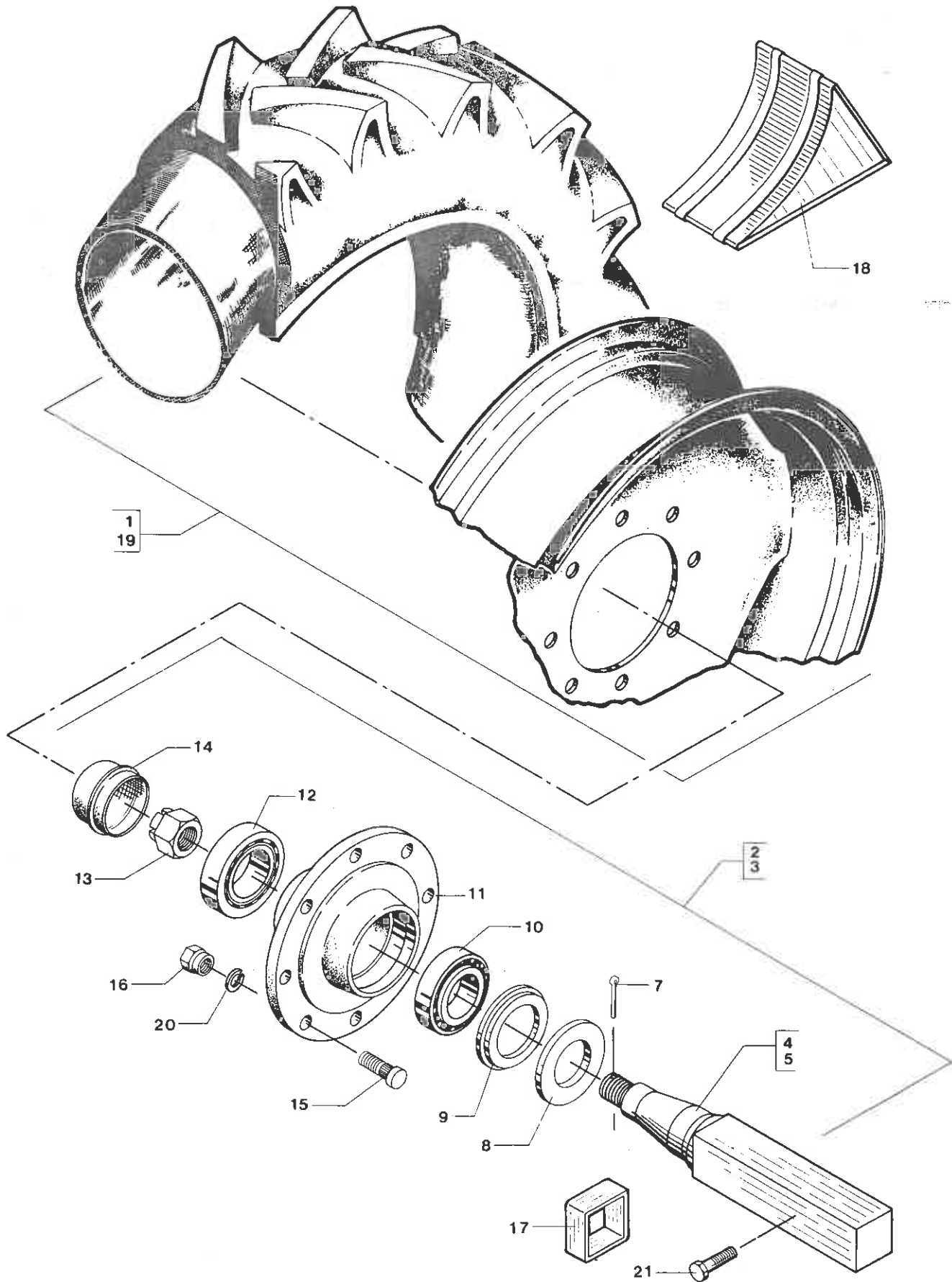
MIISA TE105 KRB/S 311 RE



| Undermaskine | Underframe | Untermaschine | |
|--------------|-------------------------------------|------------------------|-------------------------|
| 1 | SIDE 20.0 | PAGE 20.0 | SEITE 20.0 |
| 2 | SIDE 21.0 | PAGE 21.0 | SEITE 21.0 |
| 3 | SIDE 31.0 | PAGE 31.0 | SEITE 31.0 |
| 4 | SIDE 32.0 | PAGE 32.0 | SEITE 32.0 |
| 5 | SIDE 33.0 | PAGE 33.0 | SEITE 33.0 |
| 6 | SIDE 35.0 | PAGE 35.0 | SEITE 35.0 |
| 6 | SIDE 36.0 | PAGE 36.0 | SEITE 36.0 |
| 7 | SIDE 37.0 | PAGE 37.0 | SEITE 37.0 |
| 7 | SIDE 38.0 | PAGE 38.0 | SEITE 38.0 |
| 8 | SIDE 39.0 | PAGE 39.0 | SEITE 39.0 |
| 9 490888 | UNDERMASKINE KRB/S-311RE | UNDERMACHINE | UNTERMASCHINE |
| 10 444620 | AKSEL F. RIST | SHAFT F/GRATE | WELLE F/ROST |
| 11 14563900 | RØRSPENDESTIFT Ø5 X 30 MM | DOWEL | ROHRSPANNSTIFT |
| 12 493857 | RIST OVER GRENHJUL | GRATE OVER SPIDER | ROST UEBER SIEBRAD |
| 13 419855 | RENSESPADE | CLEANING SPADE | REINIGUNGSSPATEN |
| 14 14085800 | SETSKRUE GROV M8 X 40 MM | SET SCREW | SETZSCHRAUBE |
| 15 14480200 | SPEC. SKIVE 25 X 8.5 X 2.0 MM | SPECIAL WASHER | SPEZIALSCHEIBE |
| 16 14462500 | CENTERFJEDERSKIVE M8 | SPRING WASHER | FEDERSCHEIBE |
| 17 14430300 | LÅSEMØTRIK M8 | LOCK NUT | GEGENMUTTER |
| 18 493856 | SKÆRM VED OPPELHJUL | GUARD B/LIFTING WHEEL | SCHIRM A/OPPELRAD |
| 19 443039 | OVERDEL F.SPENDEBE. FL. 15X100X100 | CLAMP TOP PART | SPANNBESCHLAGOBERTEIL |
| 20 14092400 | SETSKRUE GROV M16 X 50 MM | SET SCREW | SETZSCHRAUBE |
| 21 471252 | NAGLE F. UNDERMASKINE Ø30 X 142 MM | PIN F/SUBFRAME | NAGEL F/UNTERMASCHINE |
| 22 491673 | TOPMØTRIK FOR OPHÆNG NV55 X 22 MM | TOP NUT F/SUSPENSION | KOPFMUTTER F/AUFHÆNG. |
| 23 491426 | BESLAG F. OPHÆNG AF UNDERMASKINE | SUBFRAME SUSP. BRACKET | BESCHLAG/UNTERM. -AUFH. |
| 24 491427 | SPINDEL | SCREW | SCHRAUBE |
| 28 492580 | HØJRE FORRESTE RIST (89) | RH FRONT GRATE | R. VORDERROST |
| 29 492582 | VENSTRE FORRESTE RIST (89) | LH FRONT GRATE | L. VORDERROST |
| 30 493455 | LEDERIST KPL. | GUIDE GRATE CPL | LEITROST KPL |
| 31 492426 | LUKKEJERN F. GRENHJUL MIIIS | CLOSING IRON F/SPIDER | SCHLIESSEISEN F/SIEBRAD |
| 32 492581 | VENSTRE BAGESTE RIST (89) | LH REAR GRATE | L. HINTERROST |
| 33 493453 | HØJRE BAGESTE RISTE | RH REAR GRATES | R. HINTERROSTE |
| 36 491255 | LEDEGREN F. RIST | TINE F. GRATE | ZINKE F. ROST |
| 37 493411 | LILLE LEDEGREN/ENDESTYKKE FOR RIST | SMALL TINE/GRATE END | KL. ZINKE/ENDST. F.ROST |
| 38 493418 | LILLE LEDEGREN | SMALL TINE | KLEINE ZINKE |
| 39 491276 | LEDEGREN F. RIST | TINE F. GRATE | ZINKE F. ROST |
| 40 2380020 | GUMMISKÆRM V/RISTE 240 X 75 X 10 MM | RUBBER GUARD BY GRATES | GUMMISCHIRM A/ROSTE |
| 41 490904 | BESLAG FOR GUMMI 5 X 25 X 240 MM | FITTING F/RUBBER | BESCHLAG-F/GUMMI |
| 42 14321900 | BÆRDEBOLT M8 X 30 MM | CARRIAGE BOLT | BOLZEN |
| 43 14410400 | MØTRIK M8 | NUT | MUTTER |



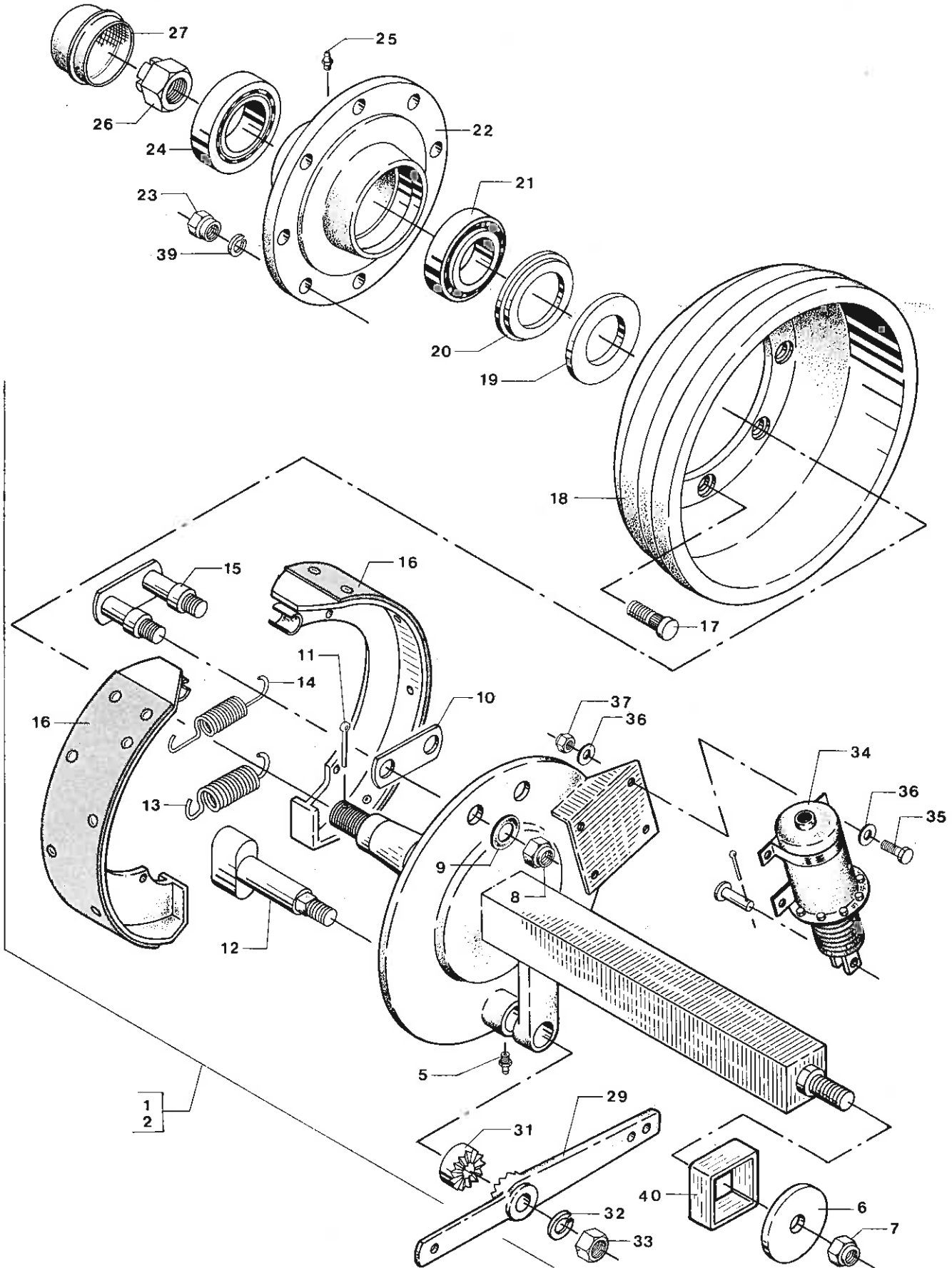
MIISA TE105 KRB/S 311 RE



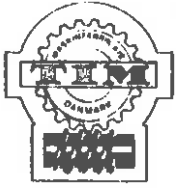
| Hjul | Wheel | Rad |
|-------------|-------------------------------------|-------------------------|
| 1 500057 | HJUL KPL. 16.9X30-14 PLY 8 HULS | WHEEL CPL 16.9X30-14 PL |
| 1 15034901 | HJULFÆLG DW14 X 30" E=-145 - 30186 | WHEEL RIM |
| 1 15013714 | TRA. BAGDÆK 16.9 X 30" - 14 PLY | TRACTOR REAR TYRE |
| 2 15099171 | LØBENAV PL-ST8008 FIRK. 80 X 714 MM | RUNNING HUB |
| 3 15099145 | LØBENAV PL-ST8008 FIRK. 80 X 445 MM | RUNNING HUB |
| 4 15079696 | AKSEL F. 150-99171 FIRK.80X 964 MM | AXLE |
| 5 15079669 | AKSEL F. 150-99145 FIRK.80X 695 MM | AXLE |
| 7 14530800 | JERNSPLIT Ø8 X 80 MM | SPLIT PIN |
| 8 15025105 | STØDRING PEITZ | SUPPORT RING |
| 9 13373301 | TÆTNINGSPLADE PEITZ | SEAL RING |
| 10 15144200 | RULLELEJE KONISK 30215 | CONE ROLLER BEARING |
| 11 15045300 | NAVHUS ST8008 8/220/275 | HUB HOUSING |
| 12 15144100 | RULLELEJE KONISK 30213 | CONE ROLLER BEARING |
| 13 14414900 | AKSELMØTRIK M52 X 2 MM | SHAFT NUT |
| 14 15049400 | NAVKAPSEL PEITZ Ø120.1 U/GEVIND | HUB CAP WO/THREAD |
| 15 15021600 | NAVBOLT M20 X 1.5 X 54 MM | HUB BOLT |
| 16 15024410 | NAVMØTRIK BM20 X 1.5 MM | HUB NUT |
| 17 14164200 | TAPSÆTSKRUE GROV M20 X 40 MM | STUD SET SCREW |
| 18 15867600 | UNDERLAGSKILE R=600 MM | SUPPORT KEY |
| 19 500055 | HJUL KPL. 600/60 X 30.5"-8PLY-8 HUL | WHEEL CPL. |
| 19 15032928 | HJULFÆLG 20.00 X 30.5" 8/221/275 | WHEEL RIM |
| 19 15016720 | SLANGE 600/60 X 30.5" | TUBE |
| 19 15011628 | DÆK 600/60 X 30.5" - 8 PLY | TYRE |
| 20 14465100 | KONISK FJEDERSKIVE C20 | CONIAL SPRING WASHER |
| 21 494956 | AFSTANDSRING V/HJULKONSOL | DISTANCE RING |
| | | RAD KPL. 16.9X30-14 PLY |
| | | RADFÆLGE |
| | | SCHLEPPER HINTERREIFEN |
| | | LAUFNABE |
| | | LAUFNABE |
| | | ACHSE |
| | | ACHSE |
| | | EISENSPLINT |
| | | STUETZRING |
| | | DICHTPLATTE |
| | | KEGELROLLENLAGER |
| | | NABENGEHÆUSE |
| | | KEGELROLLENLAGER |
| | | ACHSMUTTER |
| | | NABENKAPSEL O/GEWINDE |
| | | NABBOLZEN |
| | | NABMUTTER |
| | | ZAPFSETZSCHRAUBE |
| | | UNTERLAGSKEIL |
| | | RAD KPL. |
| | | RADFÆLGE |
| | | SCHLAUCH |
| | | REIFEN |
| | | FEDERSKEIBE KONISCH |
| | | ABSTANDRING |



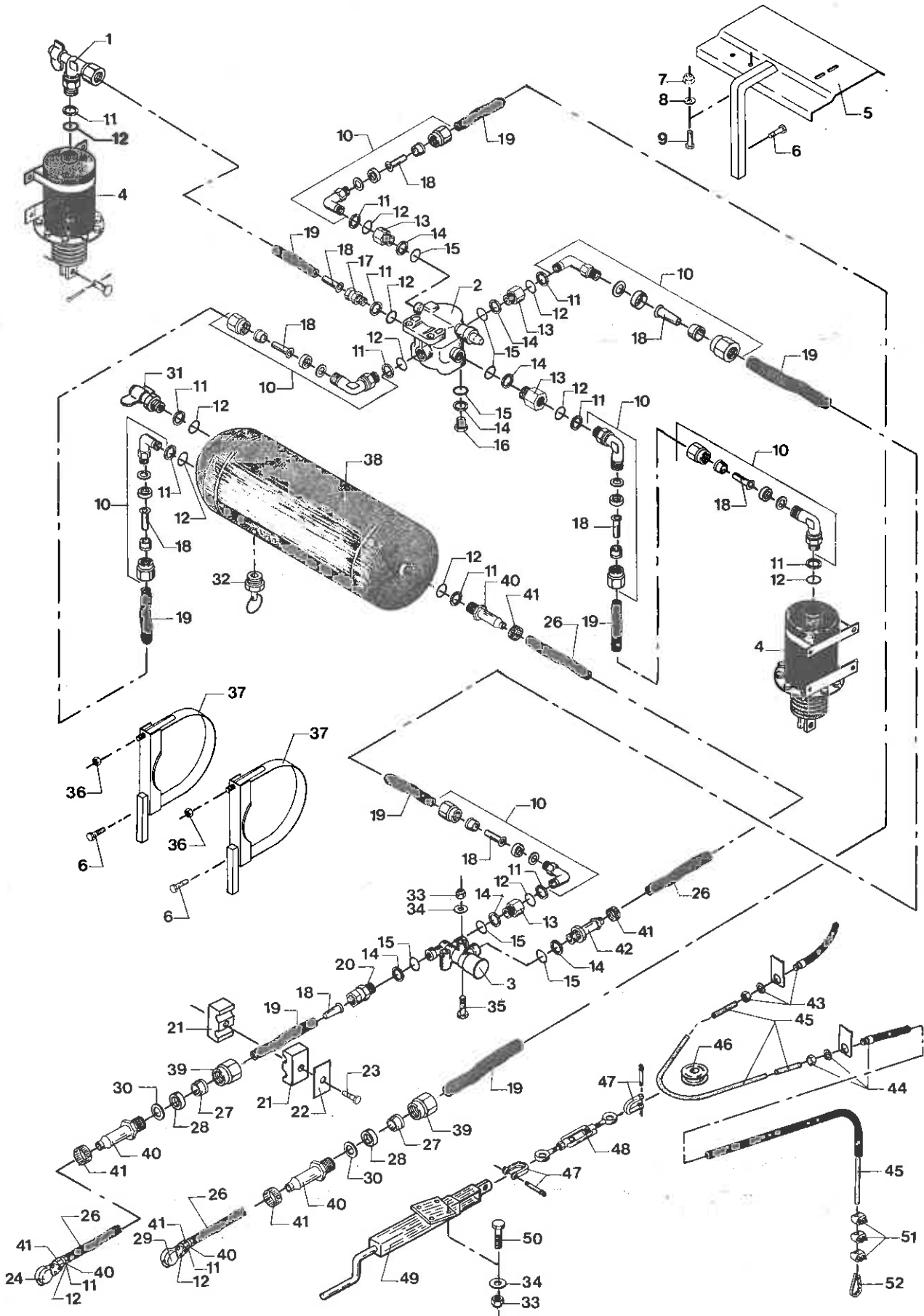
MIISA TE105 KRB/S 311 RE



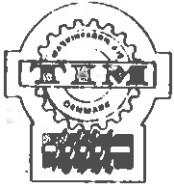
| Trykluftsbremser | Air brakes | Luftdruckbremse |
|------------------|-------------------------------------|--|
| 1 477139 | LANG BREMSENAV M/KONSOL 80 X 80 MM | LONG BRAKE HUB W/BRACK. LANGE BREMSNABE M/TRAE. |
| 2 477140 | KORT BREMSENAV M/KONSOL 80 X 80 MM | SHORT BRAKE HUB W/BRACK. KURZE BREMSNABE M/TRAE. |
| 5 13829320 | SMØRENIPPEL H1S10 X 1 MM | GREASE NIPPLE SCHMIRNIPPEL |
| 6 477211 | RONDEL Ø102 X 6 MM | DISC RUNDELL |
| 7 14431000 | LÅSEMØTRIK M16 | LOCK NUT GEGENMUTTER |
| 8 14434900 | LÅSEMØTRIK M24 | LOCK NUT GEGENMUTTER |
| 9 14441100 | SVÆR SKIVE 25 X 44 X 4 MM | WASHER SCHEIBE |
| 10 15086901 | LASKE | SPLICE LASCHEN |
| 11 14530800 | JERNSPLIT Ø8 X 80 MM | SPLIT PIN EISENSPLINT |
| 12 15026643 | BREMSENGLEAKSEL V. | BRAKE TOGGLE SHAFT LH BREMSSCHLUESSELWELLE L. |
| 13 14789700 | TREKFIJEDER FOR BREMSEBAKKE | TENS. SPRING F/BRAKE ZIEHFEDER F/BREMSEBAKKE |
| 14 14789800 | TREKFIJEDER PEITZ | TENSION SPRING ZIEHFEDER |
| 15 15007904 | BREMSEBAKKEBOLT | BRAKE CHECK BOLT BREMSBACKBOLZEN |
| 16 15004100 | SET BREMSEBAKKE M/BELÆG. 400 X 80MM | BRAKE BLOCK SET W/LIN. BREMSBACKSATZ M/BELAG |
| 17 15021700 | NAVOLT REB M20 X 1.5 X 70 MM | HUB BOLT NABBOLZEN |
| 18 15073303 | BREMSETROMLE PEITZ 400 X 80 MM | BRAKE DRUM BREMSTROMMEL |
| 19 15025105 | STØRRING PEITZ | SUPPORT RING STUETZRING |
| 20 13373301 | TÆTNINGSPLADE PEITZ | SEAL RING DICHTPLATTE |
| 21 15144200 | RULLELEJE KONISK 30215 | CONE ROLLER BEARING KEGELROLLENLAGER |
| 22 15045300 | NAVHUS ST8008 8/220/275 | HUB HOUSING NABENGEHAEUSE |
| 23 15024410 | NAVØTRIK BM20 X 1.5 MM | HUB NUT NABMUTTER |
| 24 15144100 | RULLELEJE KONISK 30213 | CONE ROLLER BEARING KEGELROLLENLAGER |
| 25 13829301 | SMØRENIPPEL ØM10 X 1 MM | GREASE NIPPLE SCHMIERNIPPEL |
| 26 14414900 | AKSELMØTRIK M52 X 2 MM | SHAFT NUT ACHSMUTTER |
| 27 15049400 | NAVKAPSEL PEITZ Ø120.1 U/GEVIND | HUB CAP W/THREAD NABENKAPSEL O/GEWINDE |
| 29 419040 | BREMSEARM (F/HÅNDBREMSE) | BRAKE LEVER ,HAND BRAKE BREMSHEBEL (HANDBREMSE) |
| 31 14489501 | TANDSKIVE | SPROCKET ZAHNSCHEIBE |
| 32 14461901 | CENTERFIJEDERSKIVE B24/137 | SPRING WASHER FEDERSCHEIBE |
| 33 14414001 | MØTRIK M24 X 1.5 MM | NUT MUTTER |
| 34 13616100 | LUFTBREMSECYLINDER Ø80 MM | AIR BRAKE CYLINDER LUFTBREMSEZYLINDER |
| 35 14087800 | SETSKRUE GROV M10 X 40 MM | SET SCREW SETZSCHRAUBE |
| 36 14440400 | SVÆR SKIVE 10.5 X 21 X 2 MM | WASHER SCHEIBE |
| 37 14430500 | LÅSEMØTRIK M10 | LOCK NUT GEGENMUTTER |
| 39 14465100 | KONISK FIJEDERSKIVE C20 | CONIAL SPRING WASHER FEDERSCHEIBE KONISCH |
| 40 494956 | AFSTANDSRING V/HJULKONSOL | DISTANCE RING ABSTANDRING |



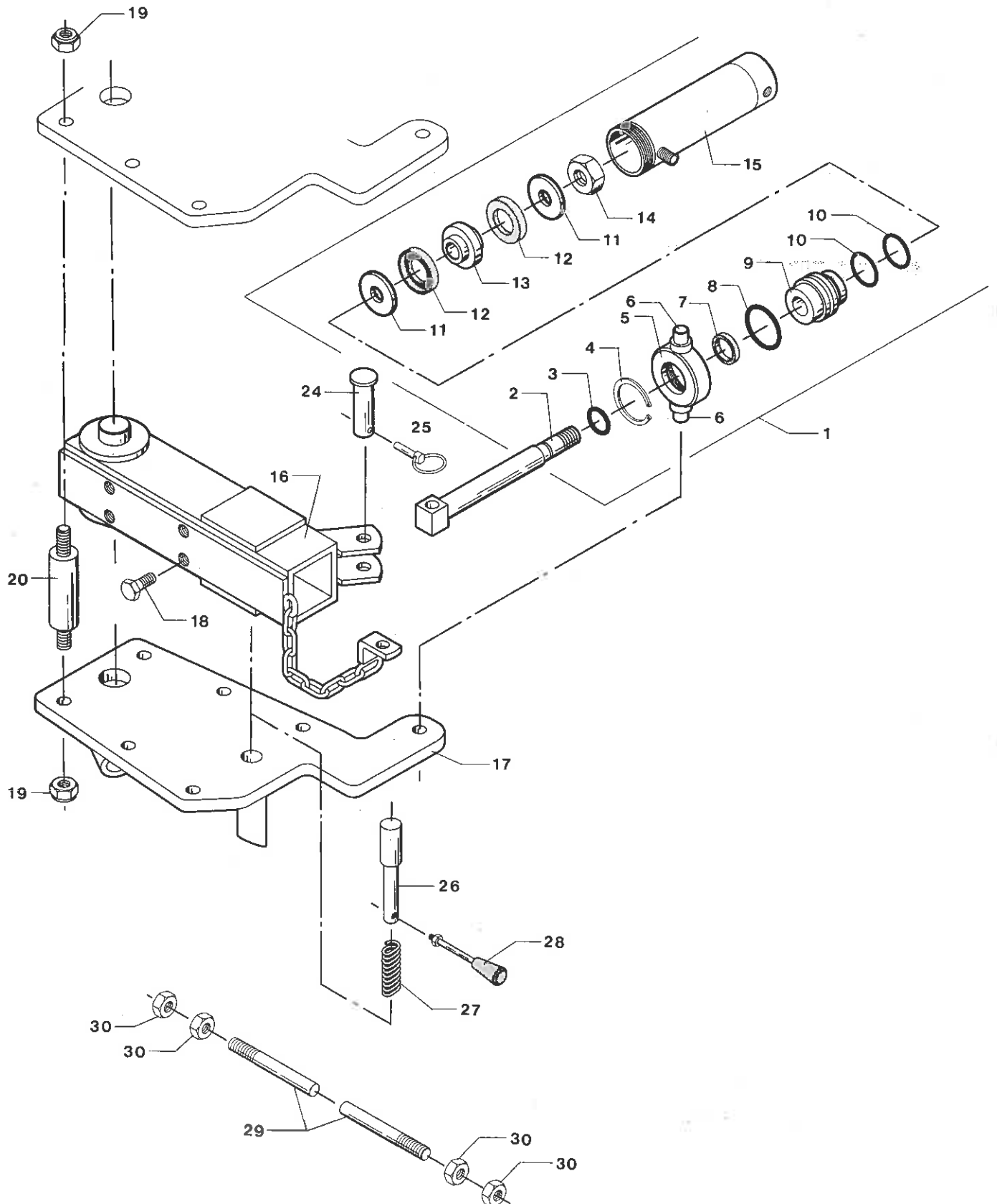
MIISA TE105 KRB/S 311 RE



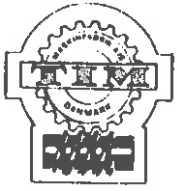
| Tryklufbsbeholder | Air container | Druckbehaelter |
|-------------------|--------------------------------------|-------------------------|
| 1 13665925 | TESTHANE 15 MM M22 X 1.5 MM | TEST TAP |
| 2 13624130 | ANHÆNGERBREMSEVENTIL 2-LEDER | EX. TRAILER BRAKE VALVE |
| 3 13624230 | LØSNERVENTIL 2-LEDER | ANHAENGERBREMSVENTIL |
| 4 13616100 | LUFTBREMSECYLINDER Ø80 MM | RELEASE VALVE |
| 5 490287 | SKÆRM FOR BREMSEVENTIL | LOESEVENTIL |
| 6 14159700 | TAPSKRUE GROV M10 X 20 MM | AIR BRAKE CYLINDER |
| 7 14430500 | LÅSEMØTRIK M10 | LUFTBREMSZYLINDER |
| 8 14440400 | SVÆR SKIVE 10.5 X 21 X 2 MM | SCHIRM F/BREMSVENTIL |
| 9 14087700 | SÆTSKRUE GROV M10 X 35 MM | ZAPFSETZSCHRAUBE |
| 10 13645301 | LUFTFORSKRUNING VINK. M22X1.5 (15MM) | LOCK NUT |
| 11 13255501 | PAKNINGSRING MESSING Ø22 MM | WASHER |
| 12 13313400 | O-RING Ø20.30 X 2.40 MM | SET SCREW |
| 13 13665303 | NIPPELMUFFE M22 X 1,5 - M16 X 1.5 | SEAL RING |
| 14 13255301 | PAKNINGSRING MESSING Ø16 MM | AIR BRANCH RIGHT-ANGLE |
| 15 13311000 | O-RING Ø14.3 X 2.4 MM | SEAL RING |
| 16 13648300 | PROP M16 X 1.5 MM | O-RING |
| 17 13642601 | LUFTFORSKRUNING LIGE M22X1.5 (15MM) | ADAPTOR |
| 18 13655913 | INDSTIKSBØSNING M/KRAVE Ø11 X 24 MM | SEAL RING |
| 19 13660000 | BREMSE RØR PLAST 15 X 20 MM (PR.M) | O-RING |
| 20 13655532 | INDSKRUN. LIGE F/15 MM RØR M16X1.5 | ADAPTOR |
| 21 13483000 | RØRHOLDER - DOBB. 15 MM | SEAL RING |
| 22 13483002 | DEKPLADE F. DOBB. RØRHOLDER | O-RING |
| 23 14042800 | MASKINBOLT GROV M8 X 60 MM | PLUG |
| 24 13624400 | KOBLINGSHOVED M22 X 1,5 - RØD | AIR BRANCH STRAIGHT |
| 25 13652300 | SLANGESTUDS M22 X 1.5 MM | INSERTION BUSH W/COLLAR |
| 26 13657300 | GUMMISLANGE D=13 MM (METER?) | PIPE CONNECTOR |
| 27 13361515 | SKÆRERING FOR LUFT 15 MM | PIPE HOLDER DOUBLE |
| 28 13256899 | TRYKRING FOR LUFT 15 MM | COVER PLATE/DOUB. P.HO. |
| 29 13624401 | KOBLINGSHOVED M22 X 1.5 MM - GUL | BOLT |
| 30 13256910 | PAKNINGSRING Ø22.33 X 14.86 X T | COUPLING HEAD - RED |
| 31 13665904 | TESTNIPPEL M22 X 1.5 MM | HOSE STUB |
| 32 13624300 | AFVANDINGSVENTIL | RUBBER HOSE (METER?) |
| 33 14430300 | LÅSEMØTRIK M8 | CLAMPING RING F/AIR |
| 34 14450100 | LET SKIVE 1/4" | PRESSURE RING F/AIR |
| 35 14043000 | MASKINBOLT GROV M8 X 70 MM | COUPLING HEAD - YELLOW |
| 36 14410700 | MØTRIK M12 | SEAL RING |
| 37 419042 | SPÆNDEBÅND | TEST NIPPLE |
| 38 13621500 | LUFTBEHOLDER - BREMSE 30 L | DEHYDRATION VALVE |
| 39 13661010 | OMLØBERMØTRIK M22 X 1,5 (15 MM) | LOCK NUT |
| 40 13652300 | SLANGESTUDS M22 X 1.5 MM | WASHER |
| 41 14877800 | SPÆNDEBÅND 15 - 24 MM | BOLT |
| 42 13652100 | SLANGESTUDS M16 X 1.5 MM | NUT |
| 43 15834928 | BOWDENKABELHYLSTER M/FORSKR. 2800MM | CLIP |
| 44 15834900 | BOWDENKABELHYLSTER = 1500 MM | AIR CONTAINER - BRAKES |
| 45 15330900 | WIRE FZB 6 MM 7 X 19 + 7FC | UNION NUT |
| 46 660054 | FØRINGSRULLE F. WIRE | HOSE STUB |
| 47 14842400 | SJÆKEL GALV. 3/8" MED MØTRIK | CLIP |
| 48 14856100 | BARDUNSTRAMMER FZB 1/2" 2 ØJER | HOSE STUB |
| 49 477252 | HÅNDBREMSE (KRB/S 2RE - 311RE) | BOWDEN CABLE COVER |
| 50 14085500 | SÆTSKRUE GROV M8 X 25 MM | BOWDEN CABLE COVER |
| 51 14847010 | WIRELÅS FZB DIN 1142 5.0 MM | WIRE |
| 52 14837800 | KOV 1 1/2" = 6 MM | GUIDE ROLLER F/WIRE |
| | | SHACKLE W/NUT |
| | | WIRE STRAINER W/2 EYES |
| | | HAND BRAKE |
| | | SET SCREW |
| | | WIRE LOCK |
| | | THIMBLE |
| | | PRUEFANSCHLUSS |
| | | ANHAENGERBREMSVENTIL |
| | | LOESEVENTIL |
| | | LUFTBREMSZYLINDER |
| | | SCHIRM F/BREMSVENTIL |
| | | ZAPFSETZSCHRAUBE |
| | | LOCK NUT |
| | | GEGENMUTTER |
| | | SCHEIBE |
| | | SETZSCHRAUBE |
| | | LUFTVERSCHRAUBUNG WINK. |
| | | DICHTRING |
| | | O-RING |
| | | NIPPELMUFFE |
| | | DICHTRING |
| | | O-RING |
| | | PROPFEN |
| | | LUFTVERSCHRAUBUNG GERA. |
| | | EINSTECKBUCHSE M/HALS |
| | | BREMSROHR (METER?) |
| | | ROHRVERSCHRAUBUNG |
| | | ROHRHALTER DOPPEL |
| | | DECKPLATTE/DOPP. ROHR. |
| | | BOLZEN |
| | | KUPPLUNGSKOPF - ROT |
| | | SCHLAUCHSTUTZEN |
| | | GUMMISCHLAUCH (METER?) |
| | | SCHNEIDRING F/LUFT |
| | | DRUCKRING F/LUFT |
| | | KUPPLUNGSKOPF - BELB |
| | | DICHTRING |
| | | PROBENIPPEL |
| | | ENTWAESSERUNGSVENTIL |
| | | GEGENMUTTER |
| | | SCHEIBE |
| | | BOLZEN |
| | | MUTTER |
| | | SPANNBAND |
| | | LUFTBEHAELTER - BREMSE |
| | | UEBERWURFMUTTER |
| | | SCHLAUCHSTUTZEN |
| | | SPANNBAND |
| | | SCHLAUCHSTUTZEN |
| | | BOWDENKABELHUELUNG |
| | | BOWDENKABELHUELUNG |
| | | STAHLDRAHT |
| | | FUEHR.-ROLLE F/DRAHT |
| | | SCHAEKEL M/MUTTER |
| | | SPANNSCHLOSS M/2 AUGEN |
| | | HANDBREMSE |
| | | SETZSCHRAUBE |
| | | DRAHTSEILSCHLOSS |
| | | KAUSCHE |



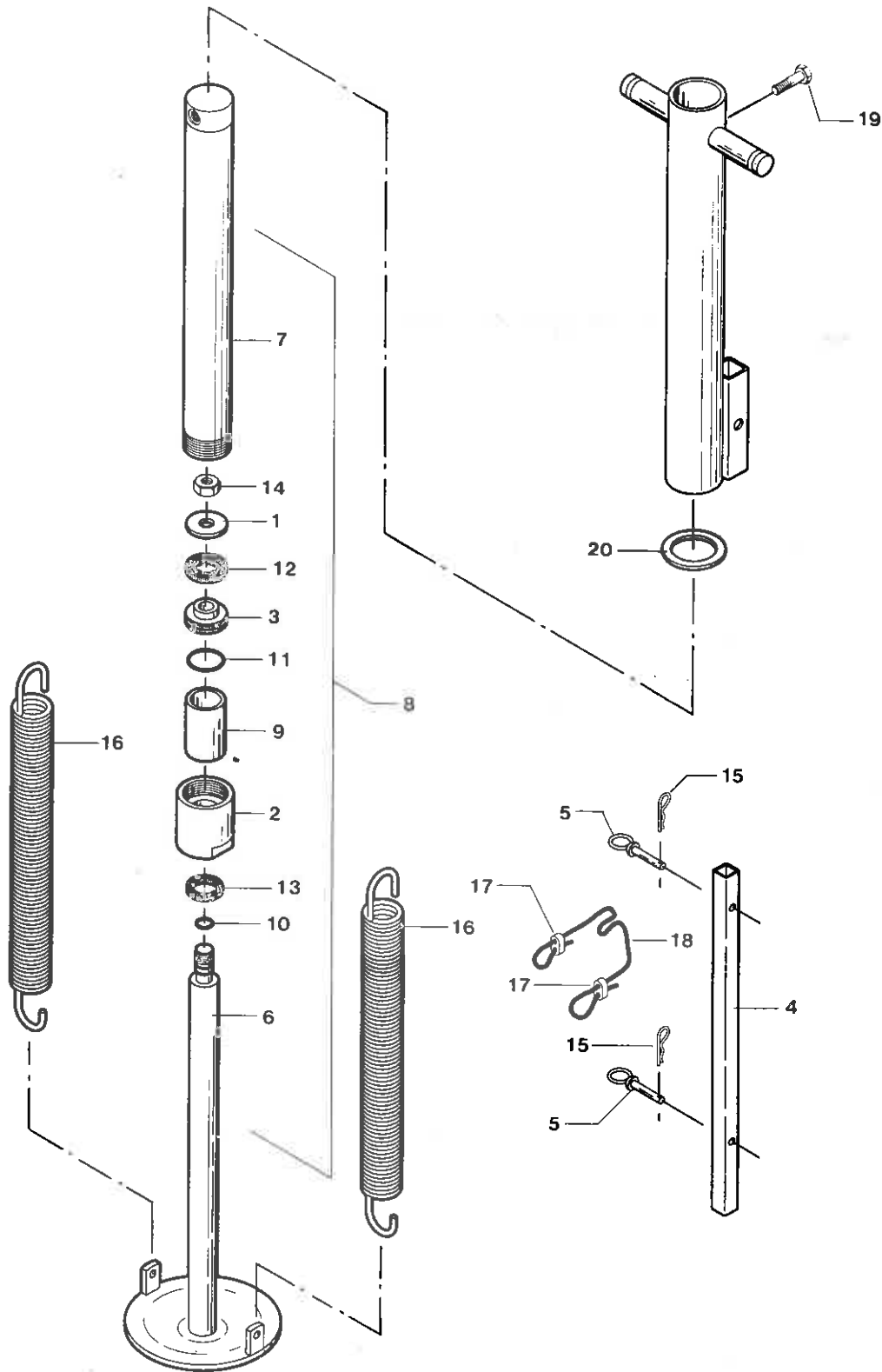
MIISA TE105 KRB/S 311 RE



| | Hydr. sideregulering af hjul | Hydr. side adjustment of wheel | Hydr. Seitenregulierung von Ra | |
|----|------------------------------|-------------------------------------|--------------------------------|-------------------------|
| 1 | 490289 | CYLINDER D65/30 - 65/177 | CYLINDER | ZYLINDER |
| 1 | 471283 | PAKNINGSSET D65/30 | GASKET SET | DICHTSATZ |
| 2 | 490820 | STEMPELSTANG Ø30 X 1270 MM | PISTON ROD | KOLBENSTANGE |
| 3 | 13312000 | O-RING Ø19.2 X 3 MM | O-RING | O-RING |
| 4 | 14652000 | SEEGERRING UDV. Ø50 MM | CIRCLIP | SICHERUNGSRING |
| 5 | 471325 | TOPMØTRIK, LILLE Ø96.5/Ø46.7 X 32MM | TOP NUT, SMALL | KOPFMUTTER, KLEIN |
| 6 | 490825 | DREJETAP FOR CYLINDER Ø30 X 34 MM | STUD F/CYLINDER | ZAPFEN F/ZYLINDER |
| 7 | 13387000 | AFSTRYGER 30 X 40 X 7/10 MM | WIPER | ABSTREIFER |
| 8 | 13316000 | O-RING Ø53.34 X 5.33 MM | O-RING | O-RING |
| 9 | 491651 | STEMPELSTYR F. Ø65 RØR | PISTON GUIDE | KOLBENFUEHRUNG |
| 10 | 13314000 | O-RING Ø29.75 X 3.53 MM | O-RING | O-RING |
| 11 | 443490 | SKIVE Ø64/Ø25.5 X 6 MM | DISC | SCHEIBE |
| 12 | 13345000 | NUTRING 40 X 65 X 12 MM | OIL SEAL | MANSCHETTE |
| 13 | 350211 | MANCHETHOLDER DOB. Ø65 | SLEEVE HOLDER DOUBLE | HALTER F/MANSCH. DOPPEL |
| 14 | 14408610 | STÅLMØTRIK UNF 1" | STEEL NUT | STAHLMUTTER |
| 15 | 490823 | CYLINDERRØR Ø75/Ø65 X 230 MM | CYLINDER TUBE | ZYLINDERROHR |
| 16 | 490286 | DREJBAR HJULKONSOL | TURNABLE WHEEL BRACKET | DREHBARE RADKONSOLE |
| 17 | 490729 | NEDERSTE KONSOLPLADE | LOWER BRACKET PLATE | UNTERE TRÄGERPLATTE |
| 18 | 14164200 | TAPSÆTSKRUE GROV M20 X 40 MM | STUD SET SCREW | ZAPFSETZSCHRAUBE |
| 19 | 14431400 | LÅSEMØTRIK M20 | LOCK NUT | GEGENMUTTER |
| 20 | 490737 | STØTTEBOLT FOR HJULKONSOL | STAY BOLT FOR BRACKET | STUETZBOLZEN F/TRAEGER |
| 24 | 471280 | NAGLE F. SÆJERTCYL. Ø19/10 X 72 MM | LONG PIN F/TAI RAM | NAGEL LANG F/DEICH.ZYL. |
| 25 | 14538700 | TRAKTORSPLIT Ø8 MM | LINCH PIN | SICHERUNGSSPLINT |
| 26 | 490733 | AKSEL FOR HJULKONSOL Ø30X170 | AXLE FOR BRACKET | ACHSE FÜR RADTRÄGER |
| 27 | 14775008 | TRYKFJEDER Ø4 X 25 X 80 MM | COMPRESSION SPRING | DRUCKFEDER |
| 28 | 13785300 | PL40 HÅNDTAG KPL. | HANDLE CPL | HANDGRIFF KPL |
| 29 | 490835 | STRAMMEBOLT Ø20 X 1960 MM | TIGHTENING BOLT | SPANNBOLZEN |
| 30 | 14411400 | MØTRIK M20 | NUT | MUTTER |



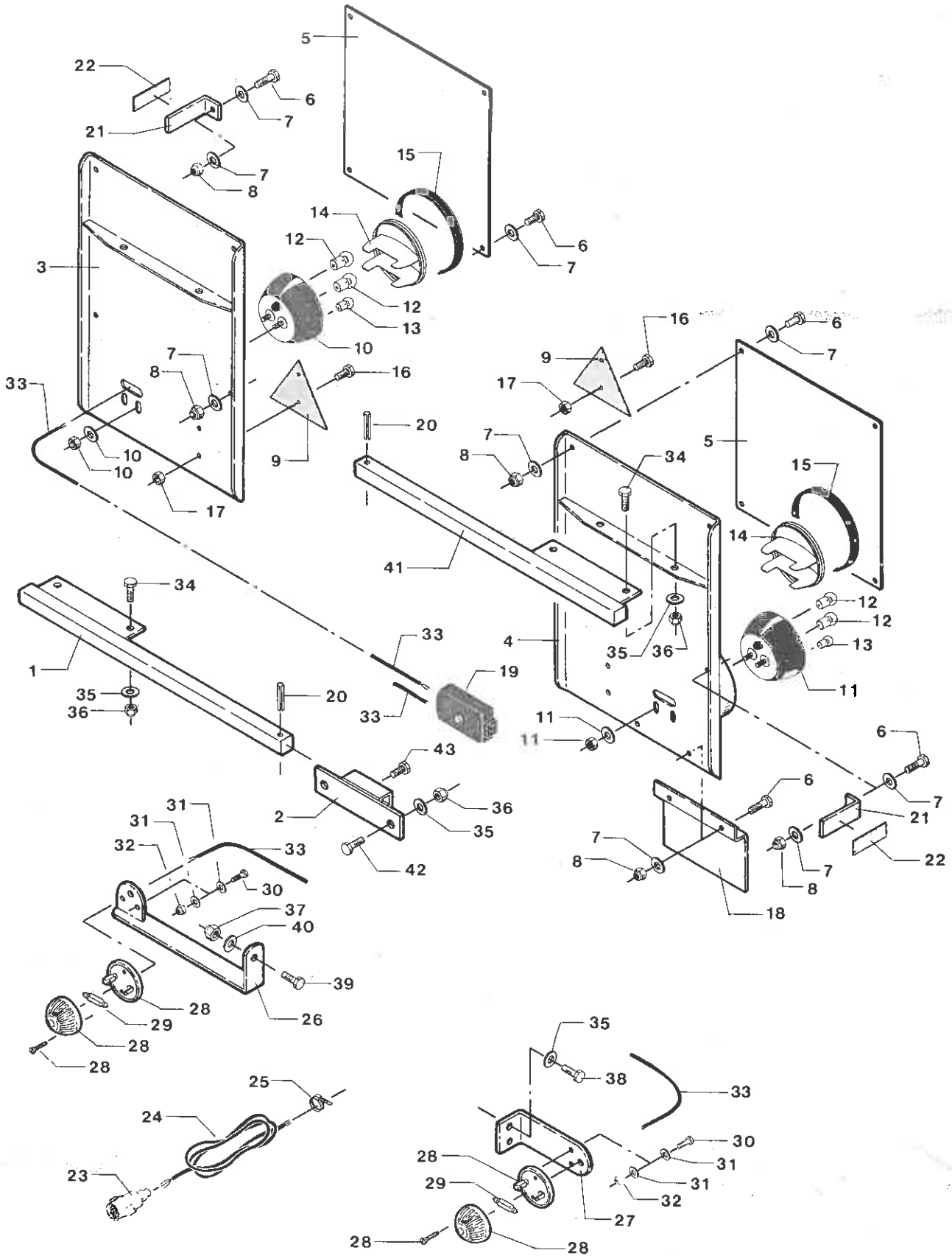
MIISA TE105 KRB/S 311 RE



| Hydr. støtteben | Hydr. support leg | Hydr. Stützbein | |
|-----------------|-------------------------------------|----------------------|-------------------------|
| 1 443490 | SKIVE Ø64/Ø25.5 X 6 MM | DISC | SCHEIBE |
| 2 460958 | TOPMØTRIK Ø45/Ø75 X 97 MM | TOP NUT | KOPFMÜTTER |
| 3 471301 | MANCHETHOLDER Ø65 | OIL SEAL HOLDER | HALTER F/MANSCHETTE |
| 4 492064 | STØTTEBEN RST.42-2. | SUPPORT LEG. | STUETZBEIN. |
| 5 493009 | NAGLE Ø12/Ø4.5 X 59 MM | PIN | NAGEL |
| 6 672836 | STEMPELSTANG F/HYDR.STØTTEFOD Ø45MM | PISTON ROD/HYD. JACK | KOLBENST./HYD. ST.-FUSS |
| 7 672838 | CYLINDERRØR KPL. | CYLINDER TUBE CPL. | ZYLINDERROHR KPL. |
| 8 672842 | CYLINDER E65/45-800/1280 F. 10T-BT | CYLINDER | ZYLINDER |
| 9 672861 | AFSTANDSRØR. | DISTANCE PIPE. | ABSTANDROHR. |
| 10 13312000 | O-RING Ø19.2 X 3 MM | O-RING | O-RING |
| 11 13316000 | O-RING Ø53.34 X 5.33 MM | O-RING | O-RING |
| 12 13345000 | NUTRING 40 X 65 X 12 MM | OIL SEAL | MANSCHETTE |
| 13 13387800 | AFSTRYGER 45 X 55 X 7/10 MM | WIPER | ABSTREIFER |
| 14 14408610 | STÅLMØTRIK UNF 1" | STEEL NUT | STAHLMÜTTER |
| 15 14535500 | HÅRNÅLESPLIT Ø4 MM | CLEVIS PIN | SPLINT |
| 16 14787200 | TRÆKFJEDER 1 ØJE 2 ENDER Ø8 X Ø56 | TENSION SPRING | ZIEHFEDER |
| 17 14850300 | WIREKLEMMER 3 MM | WIRE CLIP | DRAHTKLEMME |
| 18 15330100 | WIRE PVC OVERTRUKKET 1.3 MM/2.3 MM | WIRE, PVC COATED | STAHLDRAHT, PVC-UEBERZ. |
| 19 14159700 | TAPSÆTSKRUE GROV M10 X 20 MM | STUD SET SCREW | ZAPFSETZSCHRAUBE |
| 20 672862 | SKIVE Ø102/Ø75.2/6 | WASHER | SCHEIBE |



KRB/S 311 RE



Lysanlæg - D

Traffic lights - D

Beleuchtungsanlage - D

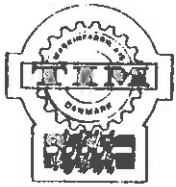
| | | | |
|-------------|------------------------------------|-------------------------|--------------------------|
| 1 444501 | SKYDER FOR LYSPLADE KPL. | SLIDE F. LIGHT PLATE CP | SHIEBER F/LICHTPL. KPL |
| 2 477208 | BESLAG M. HOLDERØR (KRB/S 2RE) | FITTING W/RETAIN PIPE | BESCHLAG M/HALTEROHR |
| 3 477197 | LYSPLADE HØJRE (KRB/S 2RE) | LIGHT PLATE RH | LICHTPLATTE RECHT |
| 4 477198 | LYSPLADE VENSTRE (KRB/S 2RE) | LIGHT PLATE LH | LICHTPLATTE LINK |
| 5 12441020 | ADVARSELSTAVLE 423 X 423 X 1.25 MM | WARNING SIGN | WARNUNGSTAFEL |
| 6 14083800 | SÆTSKRUE GROV M6 X 16 MM | SET SCREW | SETZSCHRAUBE |
| 7 14440100 | SVÆR SKIVE 6.4 X 12.5 X 1.6 MM | WASHER | SCHEIBE |
| 8 14430100 | LÅSEMØTRIK M6 | LOCK NUT | GEGENMUTTER |
| 9 12550600 | REFLEKTREKANT LILLE - RØD | TRIANGLE REFL.SMALL RED | REFLEKTDREIECK KLEIN,ROT |
| 10 12552000 | BAGLYGTE U/NUMMERPL. LYS Ø140 | REAR LIGHT WO/NU.PL.LI. | SCHLUSSLATERNE O/NR.LI. |
| 11 12552200 | BAGLYGTE M/NUMMERPL. LYS Ø140 | REAR LIGHT W/NUM.PL.LI. | SCHLUSSLATERNE M/NR.LI. |
| 12 12517800 | EL-PÆRE 12498 (12V 21W) | BULB | EL. BIRNE |
| 13 12519400 | EL-PÆRE 12821 (12V 5W) | BULB | EL. BIRNE |
| 14 12527800 | LYGTEGLAS TIL 125-52000/52200 | LAMP LENS | LATERNEGLAS |
| 15 17872500 | KANTBESKYTTELSESPROFIL | EDGE PROTECTION PROFILE | KANTENSCHUTZPROFIL |
| 16 14183400 | JERNMASKINSKRUE M5 X 12 MM | SCREW | SCHRAUBE |
| 17 14410100 | MØTRIK M5 | NUT | MUTTER |
| 18 477218 | PLADE 2 X 180 X 220 MM | PLATE | PLATTE |
| 19 12533300 | SAMLEDÅSE 6-LEDET | CONDUIT BOX | SAMMELDOSE |
| 20 14566100 | RØRSPENDESTIFT Ø6 X 36 MM | DOWEL | ROHRSPANNSTIFT |
| 21 477220 | BESLAG FOR REFLEX 35 X 5 X 130 MM | MOUNTING | BESCHLAG |
| 22 12551100 | REFLEXSTRIBE - GUL 88 X 40 MM | BAND REFLECTOR - YELLOW | REFLEXSTREIFEN - GELB |
| 23 12516600 | HANSTIK 7-POLET | PLUG SOCKET | STECKER |
| 24 12504900 | PVC-KABEL 0.75 KVD. 7-LEDET | PVC-CABLE | PVC-KABEL |
| 25 12526700 | KABELBÅND 170 MM LANG | CABLE BAND | KABELBAND |
| 26 477217 | BESLAG FOR LYS, HØJRE | MOUNTING | BESCHLAG |
| 27 477216 | BESLAG FOR LYS, VENSTRE | MOUNTING | BESCHLAG |
| 28 12554202 | POSITIONSLYGTE 12V Ø66 MM | PARKING LIGHT | PARKLAMPE |
| 29 12519700 | EL-PÆRE 12844 (12V 5W) | BULB | EL. BIRNE |
| 30 14182700 | JERNMASKINSKRUE M4 X 16 MM | SCREW | SCHRAUBE |
| 31 14440000 | SVÆR SKIVE 5.3 X 10 X 1 MM | WASHER | SCHEIBE |
| 32 14410000 | MØTRIK M4 | NUT | MUTTER |
| 33 12504600 | PVC-KABEL 0.75 KVD. 4-LEDET | PVC-CABLE | PVC-KABEL |
| 34 14087600 | SÆTSKRUE GROV M10 X 30 MM | SET SCREW | SETZSCHRAUBE |
| 35 14440400 | SVÆR SKIVE 10.5 X 21 X 2 MM | WASHER | SCHEIBE |
| 36 14430500 | LÅSEMØTRIK M10 | LOCK NUT | GEGENMUTTER |
| 37 14430700 | LÅSEMØTRIK M12 | LOCK NUT | GEGENMUTTER |
| 38 14085300 | SÆTSKRUE GROV M8 X 16 MM | SET SCREW | SETZSCHRAUBE |
| 39 14089800 | SÆTSKRUE GROV M12 X 35 MM | SET SCREW | SETZSCHRAUBE |
| 40 14440500 | SVÆR SKIVE 13 X 24 X 2.5 MM | WASHER | SCHRIE |
| 41 477206 | SKYDER F. LYSPLADE (KRB/S 2RE) | SLIDE F/LIGHT PLATE | SHIEBER F/LICHTPLATTE |
| 42 14044500 | MASKINBOLT GROV M10 X 65 MM | BOLT | BOLZEN |
| 43 14087400 | SÆTSKRUE GROV M10 X 20 MM | SET SCREW | SETZSCHRAUBE |

Lysanlæg - DK

Traffic lights - DK

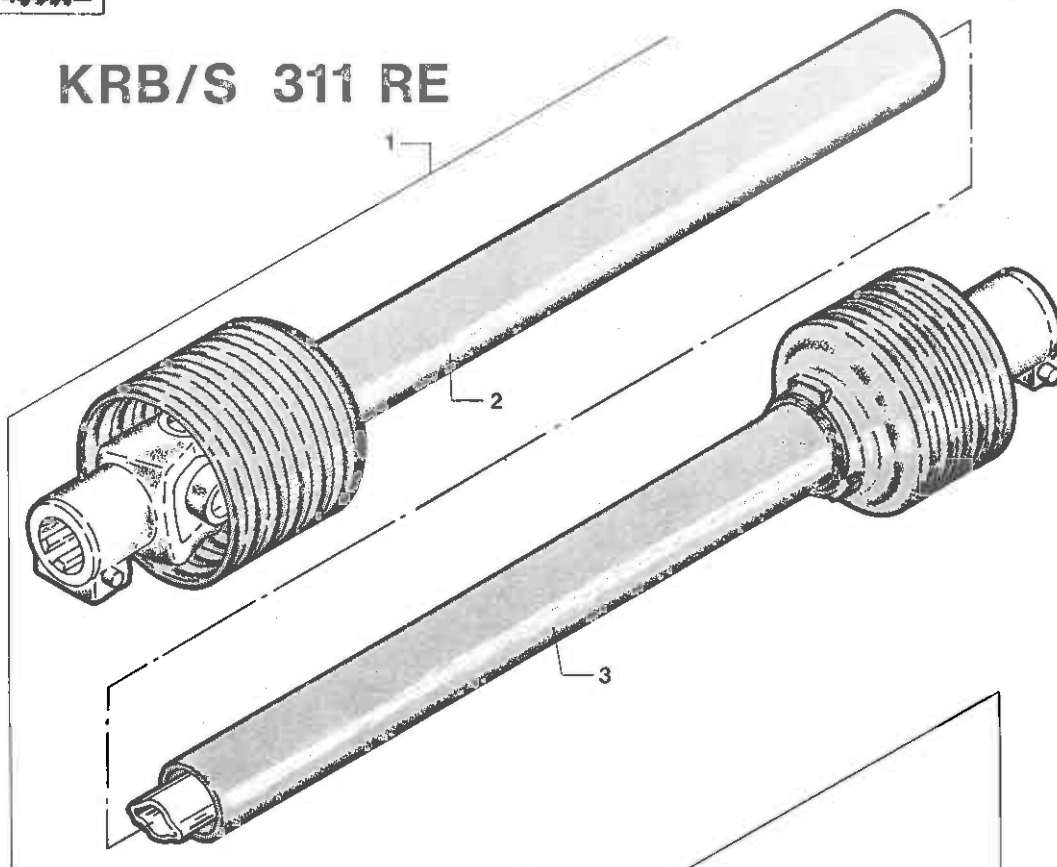
Beleuchtungsanlage - DK

| | | | |
|-------------|-------------------------------|-------------------------|-------------------------|
| 1 444501 | SKYDER FOR LYSPLADE KPL. | SLIDE F. LIGHT PLATE CP | SHIEBER F/LICHTPL. KPL |
| 4 500295 | LYSPLADE HØJRE INDR. | LIGHT PLATE RH REG. | LICHTPLATTE R. GEN. |
| 5 500296 | LYSPLADE VENSTRE INDR. | LIGHT PLATE LH REG. | LICHTPLATTE L. GEN. |
| 6 12504600 | PVC-KABEL 0.75 KVD. 4-LEDET | PVC-CABLE | PVC-KABEL |
| 7 12504900 | PVC-KABEL 0.75 KVD. 7-LEDET | PVC-CABLE | PVC-KABEL |
| 8 12516600 | HANSTIK 7-POLET | PLUG SOCKET | STECKER |
| 9 12517800 | EL-PÆRE 12498 (12V 21W) | BULB | EL. BIRNE |
| 10 12519400 | EL-PÆRE 12821 (12V 5W) | BULB | EL. BIRNE |
| 11 12526000 | CHASSISKLEMMER | CHASSIS CLAMP | GESTELLKLEMME |
| 12 12526700 | KABELBÅND 170 MM LANG | CABLE BAND | KABELBAND |
| 13 12527800 | LYGTEGLAS TIL 125-52000/52200 | LAMP LENS | LATERNEGLAS |
| 14 12533300 | SAMLEDÅSE 6-LEDET | CONDUIT BOX | SAMMELDOSE |
| 16 12550600 | REFLEKTREKANT LILLE - RØD | TRIANGLE REFL.SMALL RED | REFLEKDREIECK KLEIN,ROT |
| 17 12552000 | BAGLYGTE U/NUMMERPL. LYS Ø140 | REAR LIGHT WO/NU.PL.LI. | SCHLUSSLATERNE O/NR.LI. |
| 18 12552200 | BAGLYGTE M/NUMMERPL. LYS Ø140 | REAR LIGHT W/NUM.PL.LI. | SCHLUSSLATERNE M/NR.LI. |
| 19 14087600 | SÆTSKRUE GROV M10 X 30 MM | SET SCREW | SETZSCHRAUBE |
| 20 14183400 | JERNMASKINSKRUE M5 X 12 MM | SCREW | SCHRAUBE |
| 21 14410100 | MØTRIK M5 | NUT | MUTTER |
| 22 14430500 | LÅSEMØTRIK M10 | LOCK NUT | GEGENMUTTER |
| 23 14528400 | JERNPLIT Ø5 X 40 MM | SPLIT PIN | EISENSPLINT |
| 24 17872500 | KANTBESKYTTELSESPROFIL | EDGE PROTECTION PROFILE | KANTENSCHUTZPROFIL |

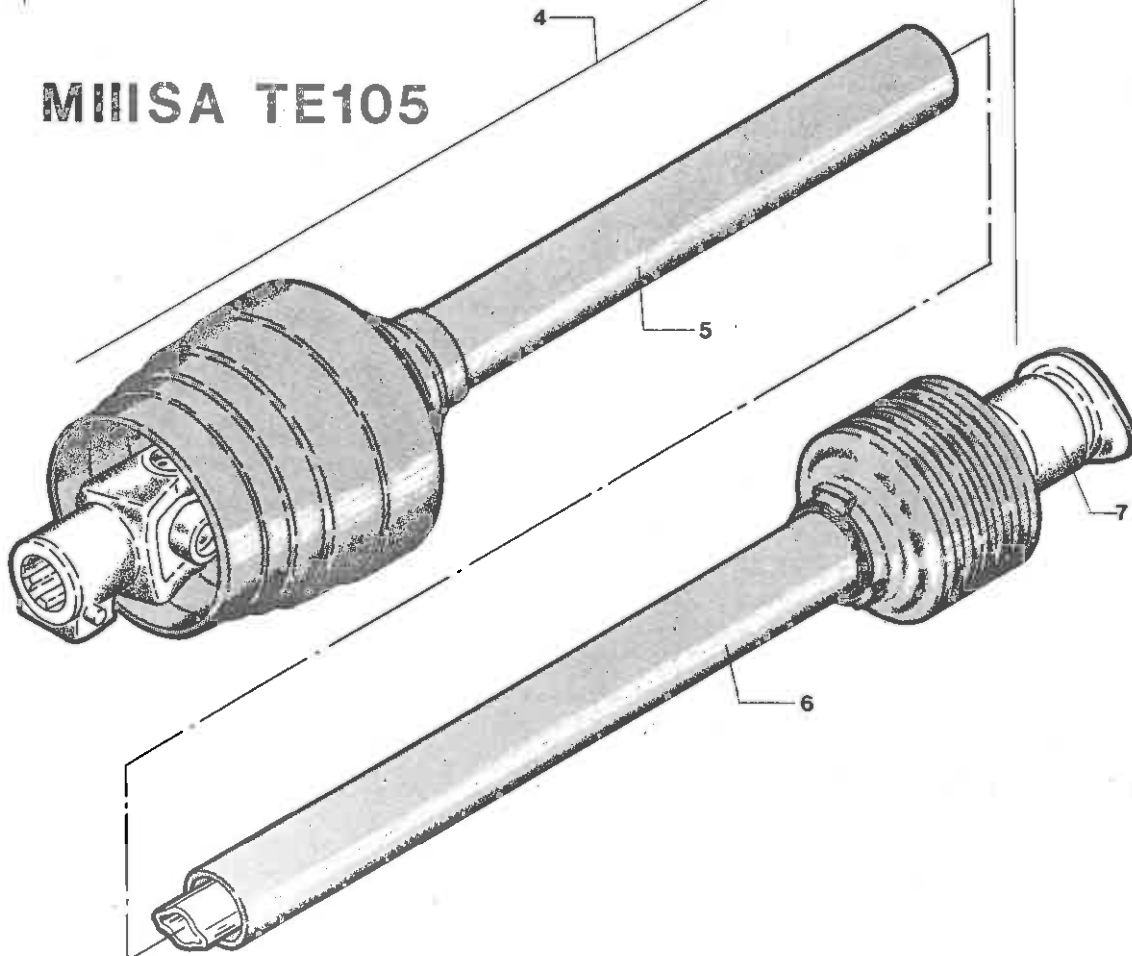


MIISA TE105 KRB/S 311 RE

KRB/S 311 RE



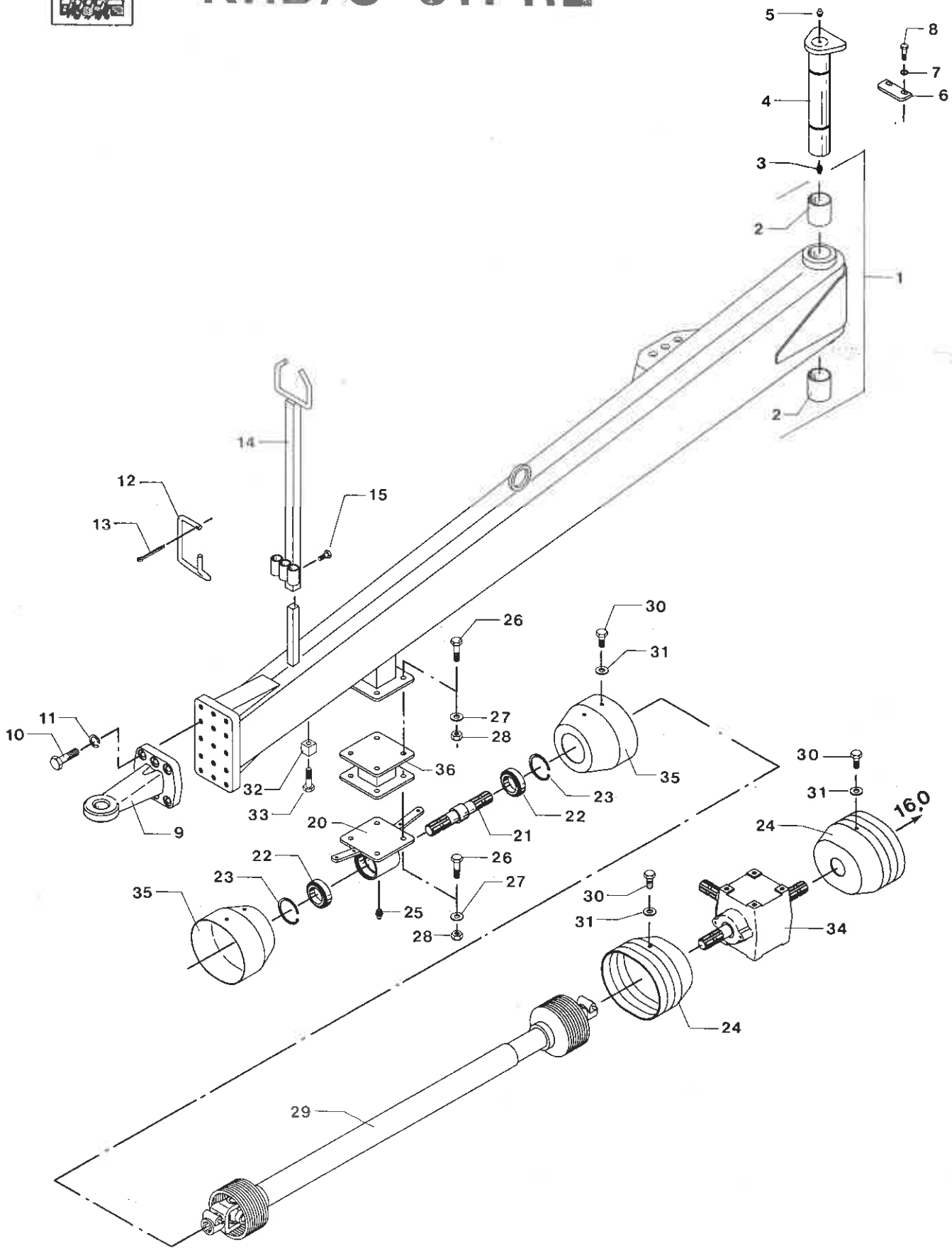
MIISA TE105



| Kraftaksel | P.T.O. shaft | Gelenkwelle | |
|------------|-------------------------------------|-------------------------|-------------------------|
| 1 15403008 | KRAFTA. 2 X 1 3/8" W2400/SC25 L=860 | PTO SHAFT | GELENKWELLE |
| 2 15372074 | INDV. HALVDEL F. 154-03008 1 3/8" | INNER SHAFT ASSEMBLY | INW. GELENKW.-HALBTEIL |
| 2 15454103 | UDV. BESK.RØR SC25/W2400 1000 MM | OUTER GUARD PIPE | AUSW. SCHUTZROHR |
| 2 15456100 | HOLDEKÆDE | RETAINING CHAIN | HALTEKETTE |
| 2 15481602 | NÅLELEJEKRYDS W2400-350000 | UNIV. JOINT W/BEARINGS | KREUZGARNITUR |
| 3 15392071 | UDV. HALVDEL F. 154-03008 1 3/8" | OUTER SHAFT ASSEMBLY | AUSW. GELENKW.-HALBTEIL |
| 3 15449108 | INDV. BESK.RØR SC25/W2400 1000 MM | INNER GUARD PIPE | INW. SCHUTZROHR |
| 3 15456100 | HOLDEKÆDE | RETAINING CHAIN | HALTEKETTE |
| 3 15481602 | NÅLELEJEKRYDS W2400-350000 | UNIV. JOINT W/BEARINGS | KREUZGARNITUR |
| 4 15407808 | KRAFTA. 1 3/8" W2480 860MM F5/1R | PTO SHAFT | GELENKWELLE |
| 5 15373077 | INDV. HALVDEL F. 154-07808 1 3/8" | INNER SHAFT ASSEMBLY | INW. GELENKW.-HALBTEIL |
| 5 14579400 | RØRSPENDESTIFT Ø10 X 80 MM | DOWEL | ROHRSPANNSTIFT |
| 5 15440001 | GAFFEL M/SNAPLÅS 1 3/8"-W2480 (6) | YOKE W/SNAP LOCK | GABEL M/SCHNAPPSCHLOSS |
| 5 15442600 | RILLEGAFFEL 1BGA-W2480 | UNIVERSAL JOINT YOKE | RILLENGABEL |
| 5 15443701 | DOBB. GAFFEL WD-G2480 | DOUBLE YOKE | DOPPELGABEL |
| 5 15454101 | UDV. BESK.RØR SC25/W2480 1300 MM | OUTER GUARD PIPE | AUSW. SCHUTZROHR |
| 5 15456100 | HOLDEKÆDE | RETAINING CHAIN | HALTEKETTE |
| 5 15473178 | INDV. PROFILRØR M/TEF.1BGA L=780 MM | INNER PROFILE PIPE W/T. | INW. PROFILROHR M/TEFL. |
| 5 15481601 | NÅLELEJEKRYDS WW 80 GR.-W2480 | UNIV. JOINT W/BEARINGS | KREUZGARNITUR |
| 6 15392066 | UDV. HAVLDEL F. 154-07808 1 3/8" | OUTER SHAFT ASSEMBLY | AUSW. GELENKW.-HALBTEIL |
| 6 14579400 | RØRSPENDESTIFT Ø10 X 80 MM | DOWEL | ROHRSPANNSTIFT |
| 6 15442700 | RILLEGAFFEL 2AG-W2400 | UNIVERSAL JOINT YOKE | RILLENGABEL |
| 6 15449108 | INDV. BESK.RØR SC25/W2400 1000 MM | INNER GUARD PIPE | INW. SCHUTZROHR |
| 6 15456100 | HOLDEKÆDE | RETAINING CHAIN | HALTEKETTE |
| 6 15478176 | UDV. PROFILRØR F/TEF. 2AG L=765 MM | OUTER PROFILE PIPE F/T. | AUSW. PROFILROHR F/TEF. |
| 6 15481602 | NÅLELEJEKRYDS W2400-350000 | UNIV. JOINT W/BEARINGS | KREUZGARNITUR |
| 7 15439625 | FRILØBSKOBLING 1 3/8"F5/1R-W2480 | OVERRUNNING CLUTCH | FREILAUFKUPPLUNG |
| 7 15479005 | AGRASET HURTI GLÅS KPL. | AGRASET QUICK LOCK CPL | AGRASET SCHNELLSCHLOSS |
| 7 504003 | KILESET M/FJEDER F. FRILØB F5/1 | KEY SET W/SPRING/IDLING | KEILSATZ M/FED./FREILA. |



KRB/S 311 RE



Stjørt + drev 1 - D

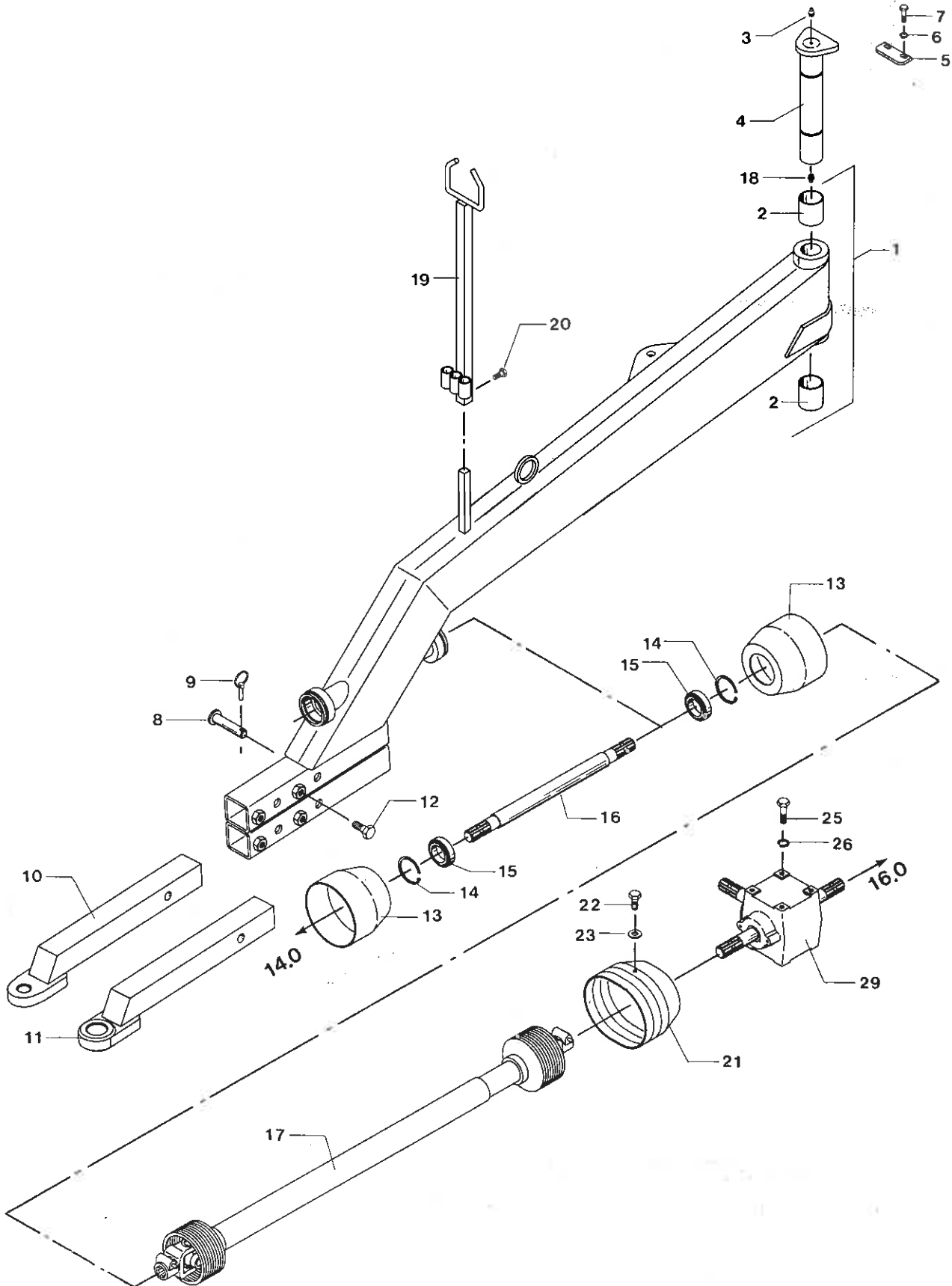
Drawbar + drive 1 - D

Deichsel + Antrieb 1 - D

| | | | |
|-------------|------------------------------------|-------------------------|-------------------------|
| 1 477134 | STJØRT KPL. F. 60 MM NAGLE - D | DRAWBAR CPL - D | DEICHSEL KPL. - D |
| 2 16000395 | GLIDELEJE M/TEFLON 60 X 65 X 75 MM | SLIDE BEARING W/TEFLON | GLEITLAGER M/TEFLON |
| 3 13828300 | SMØRENIPPEL 90 GR. MF8 X 1 MM | GREASE NIPPLE | SCHMIERNIPPEL |
| 4 475087 | NAGLE F. STJØRT Ø60 X 375 MM | PIN F/DRAWBAR | NAGEL F/DEICHSEL |
| 5 13841000 | SMØRENIPPEL LIGE MF8 X 1 MM | GREASE NIPPLE STRAIGHT | SCHMIERNIPPEL GERADE |
| 6 492021 | SPØNDEBESLAG FL. 40 X 8 X 100 MM | LOCKING PLATE | SPANNBESCHLAG |
| 7 14462600 | CENTERFJEDERSKIVE M10 | SPRING WASHER | FEDERSCHEIBE |
| 8 14087400 | SÆTSKRUE GROV M10 X 20 MM | SET SCREW | SETZSCHRAUBE |
| 9 477199 | TREKØJE | HITCH RING | ZUGØESE |
| 10 14266110 | UNBRACO MC 20 X 45 MM DIN912-12.9 | UNBRACO SCREW | UNBRACOSCHRAUBE |
| 10 | 14266110:TILSPØNDINGSMOMENT:732 NM | 14266110: TORQUE 732NM | 14266110: ZUSPANN.732NM |
| 11 14456100 | SIKRINGSSKIVE 20.0 MM INDV. | LOCK WASHER | FEDERSCHEIBE |
| 12 741050 | OPRØNGSBØJLE F. KRAFTAKSEL | SUSPENSION CLAMP F/PTO | AUFH.-BÜGEL F/GELENKWE. |
| 13 14525100 | JERNSPLIT Ø4 X 25 MM | SPLIT PIN | EISENSPLINT |
| 14 491466 | OPSTANDER FOR KABELTRØK | UPRIGHT F/CABLE CONTROL | STAENDER F/KABELSTEUER. |
| 15 14159700 | TAPÆTSKRUE GROV M10 X 20 MM | STUD SET SCREW | ZAPFÆTZSCHRAUBE |
| 20 491454 | LEJEHUS MED KRAVE | BEAR. HOUSING W/COLLAR | LAGERGEHÆUSE M/KRAGEN |
| 21 492907 | AKSEL Ø45 X 240 MM - 2 X 1 3/8" | SHAFT | WELLE |
| 22 15113500 | SPØRKUGLELEJE ENRØK. 6307-RS | STEP BALL BEARING 1-R. | SPURKUGELLAGER 1-REIH. |
| 23 14686600 | SEEGERRING INDV. Ø80 MM | CIRCLIP | SICHERUNGSRING |
| 24 444400 | PLÆTSKØRM | PLAST SCREEN | PLÆTSCHIRM |
| 25 13841000 | SMØRENIPPEL LIGE MF8 X 1 MM | GREASE NIPPLE STRAIGHT | SCHMIERNIPPEL GERADE |
| 26 14089800 | SÆTSKRUE GROV M12 X 35 MM | SET SCREW | SETZSCHRAUBE |
| 27 14453000 | SVØR SKIVE 1/2" | WASHER | SCHÆIBE |
| 28 14430700 | LÆSEMØTRIK M12 | LOCK NUT | GEGENMUTTER |
| 29 15403012 | KRAFTA. 1 3/8"X1 3/8" W2400 L=1210 | PTO SHAFT | GELENKWELLE |
| 29 15372001 | INDV. HALVDEL F. 154-03012 1 3/8" | INNER SHAFT ASSEMBLY | INW. GELENKW.-HALBTEIL |
| 29 15454103 | UDV. BESK.RØR SC25/W2400 1000 MM | OUTER GUARD PIPE | AUSW. SCHUTZROHR |
| 29 15481602 | NÆLELEJEKRYDS W2400-350000 | UNIV. JOINT W/BEARINGS | KREUZGARNITUR |
| 29 15456100 | HØLDEKØDE | RETAINING CHAIN | HALTEKETTE |
| 29 15392001 | UDV. HALVDEL F. 154-03012 1 3/8" | OUTER SHAFT ASSEMBLY | AUSW. GELENKW.-HALBTEIL |
| 29 15449108 | INDV. BESK.RØR SC25/W2400 1000 MM | INNER GUARD PIPE | INW. SCHUTZROHR |
| 30 14085300 | SÆTSKRUE GROV M8 X 16 MM | SET SCREW | SETZSCHRAUBE |
| 31 14480200 | SPEC. SKIVE 25 X 8.5 X 2.0 MM | SPECIAL WASHER | SPEZIÆLSCHÆIBE |
| 32 12643600 | KLAMME Ø12 X 15 MM | CLAMP | KLEMMBÆCKE |
| 33 14295400 | JERNTRØSKRUE NR 5 X 32 MM | IRON COACH SCREW | EISENHØLZSCHRAUBE |
| 34 | SIDE 61.0 | PAGE 61.0 | SEITE 61.0 |
| 35 501186 | PLÆTSKØRM | PLAST SCREEN | PLÆTSCHIRM |
| 36 494933 | MELLEMSTYKKE FOR LEJEHUS | MIDDLE PIECE F/BEA.HO. | ZWISCHENSTUECK F/GEHAU. |



MIISA TE105



Stjært + drev 1 - DK

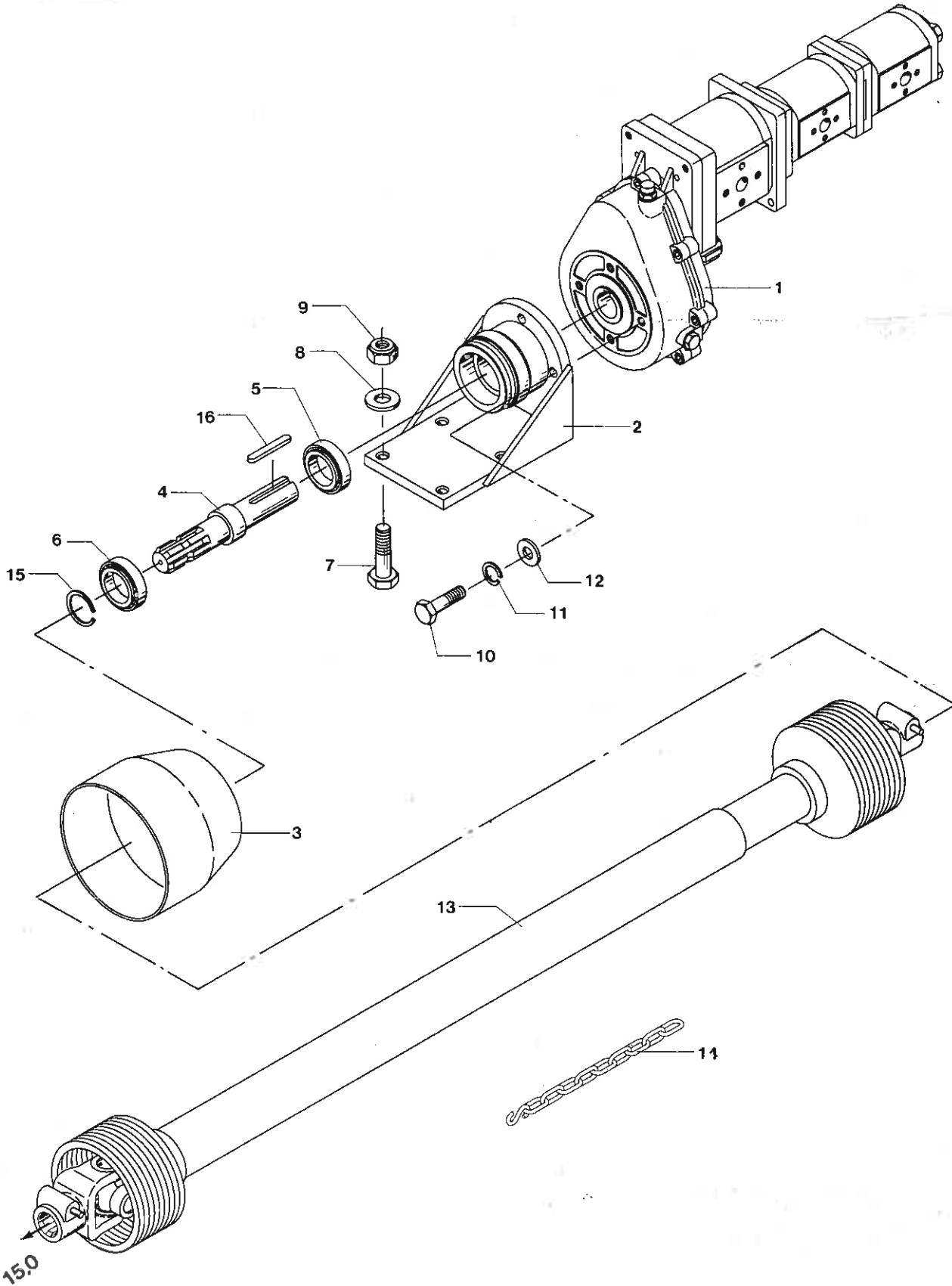
Drawbar + drive 1 - DK

Deichsel + Antrieb 1 - DK

| | | | |
|-------------|------------------------------------|-------------------------|-------------------------|
| 1 475054 | LANG STJÆRT M/KNÆK (60 MM NAGLE) | LONG BENT DRAWBAR | LANGE DEICHSEL M/KNICK |
| 2 16000395 | GLIDELEJE M/TEFLON 60 X 65 X 75 MM | SLIDE BEARING W/TEFLON | GLEITLAGER M/TEFLON |
| 3 13841000 | SMØRENIPPEL LIGE MF8 X 1 MM | GREASE NIPPLE STRAIGHT | SCHMIERNIPPEL GERADE |
| 4 475087 | NAGLE F. STJÆRT Ø60 X 375 MM | PIN F/DRAWBAR | NAGEL F/DEICHSEL |
| 5 492021 | SPÆNDEBESLAG FL. 40 X 8 X 100 MM | LOCKING PLATE | SPANNBESCHLAG |
| 6 14462600 | CENTERFJEDERSKIVE M10 | SPRING WASHER | FEDERSCHEIBE |
| 7 14087400 | SÆTSKRUE GROV M10 X 20 MM | SET SCREW | SETZSCHRAUBE |
| 8 667088 | NAGLE Ø25 X 115 MM | PIN | NAGEL |
| 9 14538700 | TRAKTORSPLIT Ø8 MM | LINCH PIN | SICHERUNGSSPLINT |
| 10 477136 | TRÆK FOR STJÆRT (70 X 70) | DRAWBAR TONGUE | ZUG F/DEICHSEL |
| 11 477137 | PRODSØJETRÆK FOR STJÆRT (70 X 70) | HITCH RING F/DRAWBAR | ZUGØSE F/DEICHSEL |
| 12 14164200 | TAPSÆTSKRUE GROV M20 X 40 MM | STUD SET SCREW | ZAPFSETZSCHRAUBE |
| 13 15489100 | BESKYTTELSESTRAGT | GUARD FÜNNEL | SCHUTZTRICHTER |
| 14 14686600 | SEEGERRING INDV. Ø80 MM | CIRCLIP | SICHERUNGSRING |
| 15 15113500 | SPORKUGLELEJE ENRÆK. 6307-RS | STEP BALL BEARING 1-R. | SPURKUGELLAGER 1-REIH. |
| 16 475067 | AKSEL FOR STJÆRT Ø41 X 616 MM | DRAWBAR SHAFT | DEICHSELWELLE |
| 17 15403012 | KRAFTA. 1 3/8"X1 3/8" W2400 L=1210 | PTO SHAFT | GELENKWELLE |
| 17 15372001 | INDV. HALVDEL F. 154-03012 1 3/8" | INNER SHAFT ASSEMBLY | INW. GELENKW.-HALBTEIL |
| 17 15454103 | UDV. BESK.RØR SC25/W2400 1000 MM | OUTER GUARD PIPE | AUSW. SCHUTZROHR |
| 17 15456100 | HOLDEKÆDE | RETAINING CHAIN | HALTEKETTE |
| 17 15481602 | NÅLELEJEKRYDS W2400-350000 | UNIV. JOINT W/BEARINGS | KREUZGARNITUR |
| 17 15392001 | UDV. HALVDEL F. 154-03012 1 3/8" | OUTER SHAFT ASSEMBLY | AUSW. GELENKW.-HALBTEIL |
| 17 15449108 | INDV. BESK.RØR SC25/W2400 1000 MM | INNER GUARD PIPE | INW. SCHUTZROHR |
| 17 15456100 | HOLDEKÆDE | RETAINING CHAIN | HALTEKETTE |
| 17 15481602 | NÅLELEJEKRYDS W2400-350000 | UNIV. JOINT W/BEARINGS | KREUZGARNITUR |
| 18 13828300 | SMØRENIPPEL 90 GR. MF8 X 1 MM | GREASE NIPPLE | SCHMIERNIPPEL |
| 19 475085 | OPSTANDER FOR KABELTRÆK (90) | UPRIGHT F/CABLE CONTROL | STAENDER F/KABELSTEUER. |
| 20 14159700 | TAPSÆTSKRUE GROV M10 X 20 MM | STUD SET SCREW | ZAPFSETZSCHRAUBE |
| 21 444400 | PLASTSKÆRM | PLAST SCREEN | PLASTSCHIRM |
| 22 14085300 | SÆTSKRUE GROV M8 X 16 MM | SET SCREW | SETZSCHRAUBE |
| 23 14462600 | CENTERFJEDERSKIVE M10 | SPRING WASHER | FEDERSCHEIBE |
| 25 14089600 | SÆTSKRUE GROV M12 X 25 MM | SET SCREW | SETZSCHRAUBE |
| 26 14462700 | CENTERFJEDERSKIVE M12 | SPRING WASHER | FEDERSCHEIBE |
| 29 | SIDE 64.0 | PAGE 64.0 | SEITE 64.0 |



MIISA TE105 KRB/S 311 RE



Drev 2

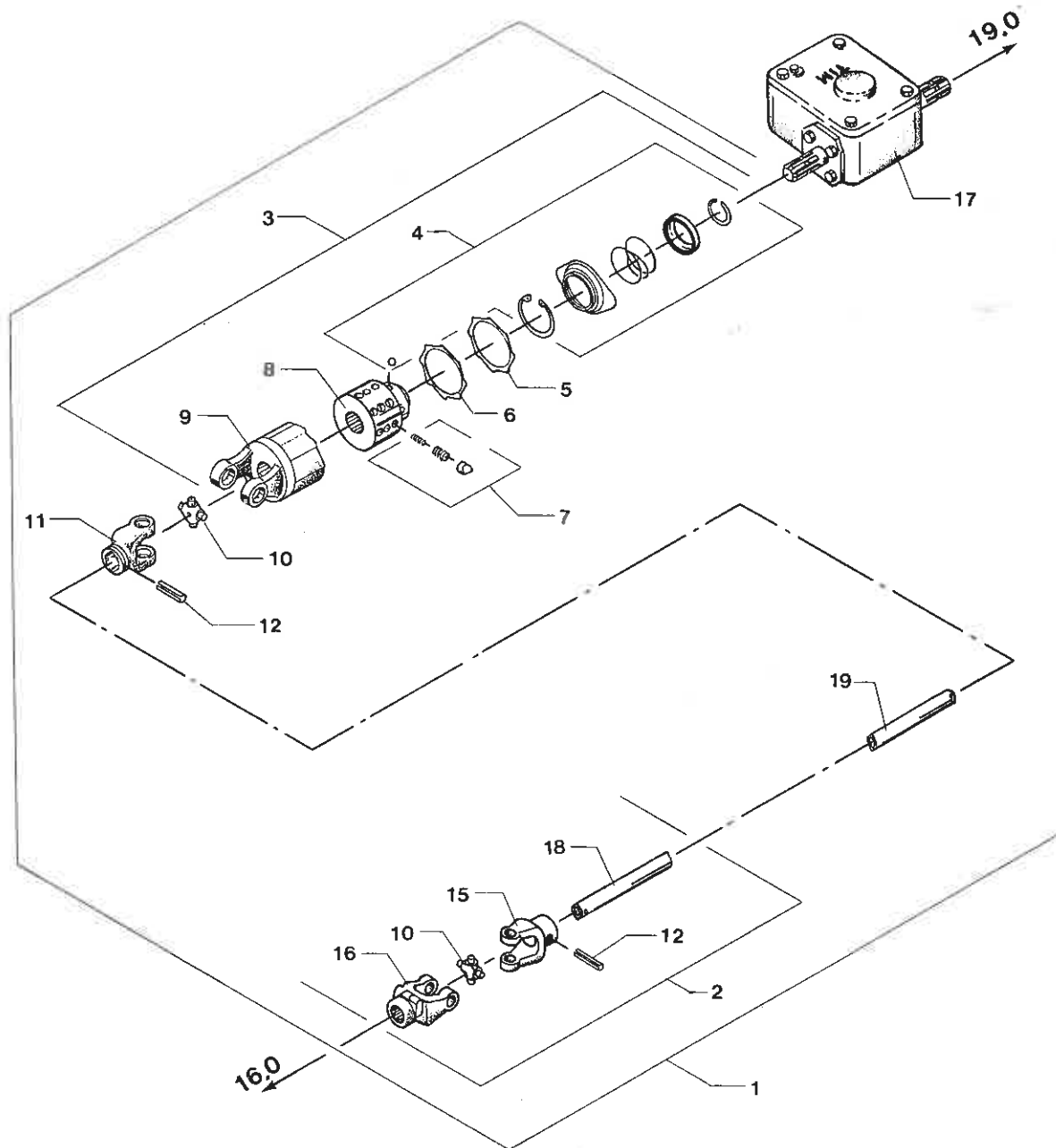
Drive 2

Antrieb 2

| | | | |
|-------------|------------------------------------|------------------------|------------------------|
| 1 | SIDE 18.0/18.1 | PAGE 18.0/18.1 | SEITE 18.0/18.1 |
| 2 477409 | KONSOL FOR OLIEMOTOR | BRACKET F. OIL PUMP | TRAEGER F. OELPUMPE |
| 3 477411 | BESKYTTELSESTRAGT M/RING | GUARD FUNNEL | SCHUTZTRICHTER |
| 4 477405 | AKSEL VED GEAR Ø46/Ø35 X 229 MM | SHAFT AT GEAR | WELLE/GETRIEBE |
| 5 15112602 | SPORKUGLELEJE ENRÆK. 6207-2RS | STEP BALL BEARING 1-R. | SPURKUGELLAGER 1-REIH. |
| 6 15113500 | SPORKUGLELEJE ENRÆK. 6307-RS | STEP BALL BEARING 1-R. | SPURKUGELLAGER 1-REIH. |
| 7 14089800 | SÆTSKRUE GROV M12 X 35 MM | SET SCREW | SETZSCHRAUBE |
| 8 14453000 | SVÆR SKIVE 1/2" | WASHER | SCHEIBE |
| 9 14430700 | LÅSEMØTRIK M12 | LOCK NUT | GEGENMUTTER |
| 10 14089800 | SÆTSKRUE GROV M12 X 35 MM | SET SCREW | SETZSCHRAUBE |
| 11 14462700 | CENTERFJEDERSKIVE M12 | SPRING WASHER | FEDERSCHEIBE |
| 12 14453000 | SVÆR SKIVE 1/2" | WASHER | SCHEIBE |
| 13 15403016 | KRAFTA. 1 3/8"X1 3/8" W2400 L=1600 | PTO SHAFT | GELENKWELLE |
| 14 15456100 | HOLDEKÆDE | RETAINING CHAIN | HALTEKETTE |
| 15 14686600 | SEEGERRING INDV. Ø80 MM | CIRCLIP | SICHERUNGSRING |
| 16 14608340 | PASFEDER 10 X 8 X 80 MM | KEY | PASSFEDER |



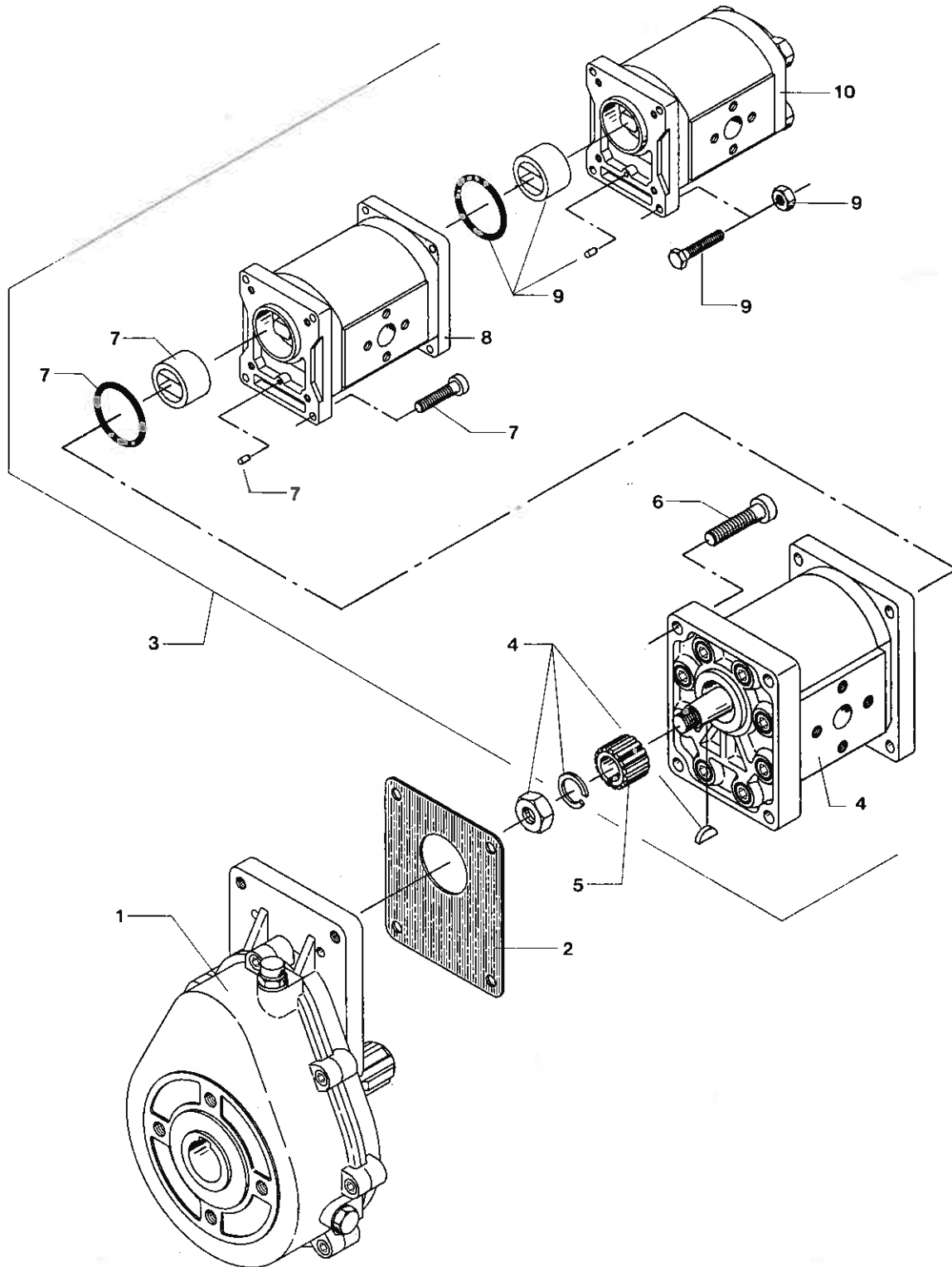
MIISA TE105 KRB/S 311 RE



| Drev 3 | Drive 3 | Antrieb 3 | |
|-------------|-------------------------------------|------------------------|-------------------------|
| 1 15405004 | KRAFTA. 1 3/8" K34 X 1 3/8" L=460MM | PTO SHAFT | GELENKWELLE |
| 3 15439255 | KOBLING 1 3/8"K34-W2300 | CLUTCH | KUPPLUNG |
| 4 15479005 | AGRASET HURTI GLÅS KPL. | AGRASET QUICK LOCK CPL | AGRASET SCHNELLSCHLOSS |
| 5 15486400 | TRYKSKIVE | THRUST RING | DRUCKSCHEIBE |
| 6 15486800 | TÆTNING TAKKET TYPE 5517 11 PLAST | PACKING SERRATED | DICHTUNG GEZACKT |
| 7 504002 | AGRASET F. PALKOBLING | REP. KIT F/PAWL COUPL. | REP.-SATZ F/KLINKKUPPL. |
| 8 15486000 | KOBLINGSNAV 1 3/8" K34 | CLUTCH HUB | KUPPLUNGSNABE |
| 9 15485200 | KOBLINGSHUS K34 W2300-213139 | CLUTCH HOUSING | KUPPLUNGSGEHÄUSE |
| 10 15481800 | NÅLELEJEKRYDS W2300-210000 | UNIV. JOINT W/BEARINGS | KREUZGARNITUR |
| 11 15442500 | RILLEGAFFEL I-W2300 | UNIVERSAL JOINT YOKE | RILLENGABEL |
| 12 14579100 | RØRSPENDESTIFT Ø10 X 65 MM | DOWEL | ROHRSPANNSTIFT |
| 15 15442400 | RILLEGAFFEL OV-W2300 | UNIVERSAL JOINT YOKE | RILLENGABEL |
| 16 15443600 | GAFFEL M/SNAPLÅS 1 3/8"-W2300 | YOKE W/SNAP LOCK | GABEL M/SCHNAPPSCHLOSS |
| 16 14771400 | TRYKFJEDER | COMPRESSION SPRING | DRUCKFEDER |
| 16 15484100 | SKYDESTIFT | SLIDE PIN | SCHIEBESTIFT |
| 16 15484200 | SKIVE | WASHER | SCHEIBE |
| 16 15443679 | GAFFEL G2300-3/8" U/S. | YOKE | GABEL |
| 17 | SIDE 21.0 | PAGE 21.0 | SEITE 21.0 |
| 18 15472534 | INDV. PROFILRØR OV L=340 MM | INNER PROFILE PIPE | INW. PROFILROHR |
| 19 15477532 | UDV. PROFILRØR 1 L=325 MM | OUTER PROFILE PIPE | AUSW. PROFILROHR |



KRB/S 311 RE



Forreste gear + pumper - D

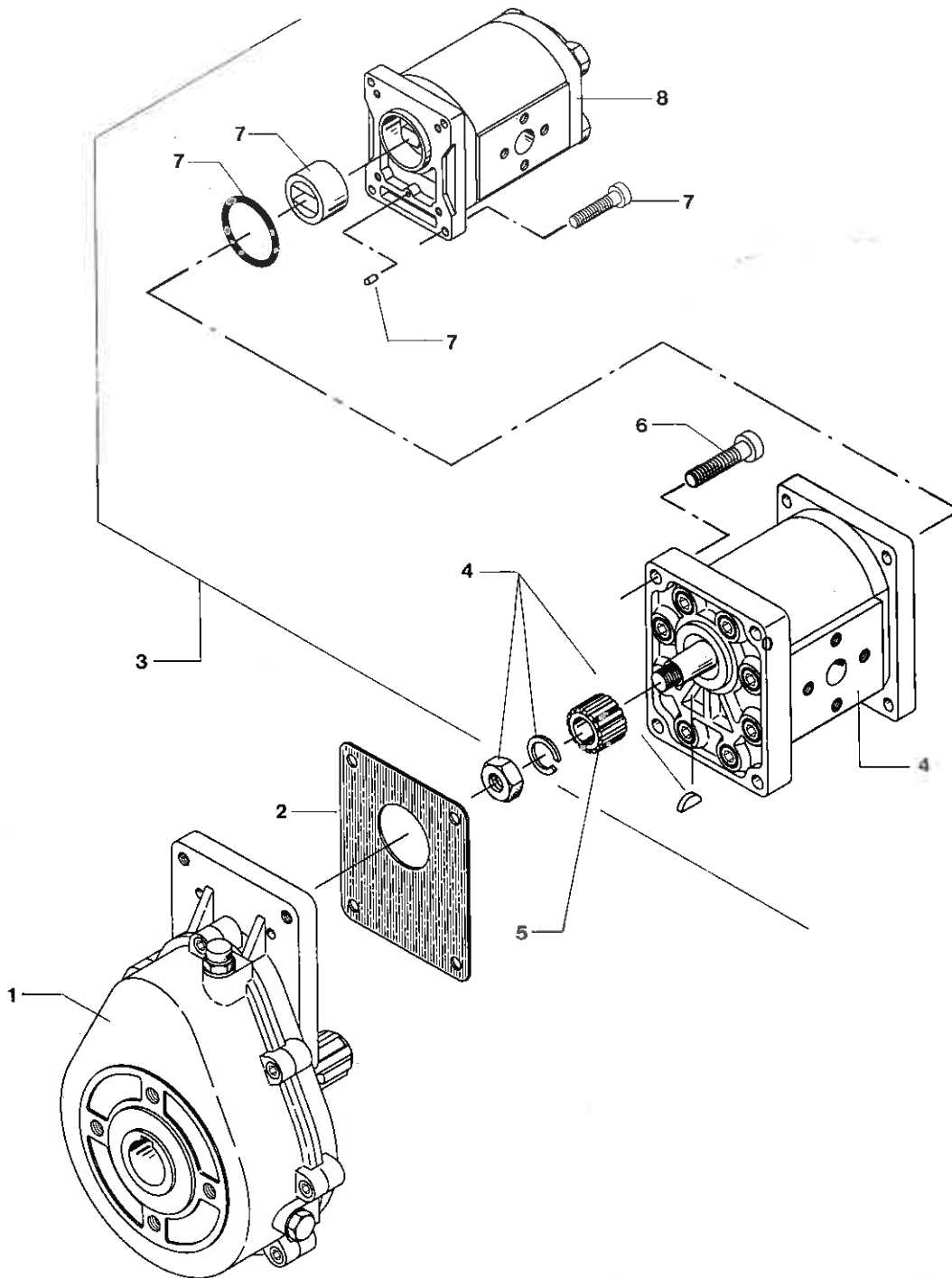
Front gear + pumps - D

Vor. Getriebe + Pumpen - D

| | | | |
|-------------|-------------------------------------|-----------------------|-------------------------|
| 1 13776410 | SPEED-UP GEAR 1:3 | SPEED-UP GEAR | GESCHLEUNIGUNGSGETRIEBE |
| 2 13250200 | PAKNING F. GR.3 PUMPE | SEAL F. PUMP | DICHTUNG F. PUMPE |
| 3 13714520 | TANDHJULSP. 3D50/2D40/2D25 GR.3/2/2 | GEAR PUMP | ZAHNRADPUMPE |
| 4 13712655 | FORRESTE TANDHJULSPUMPE A3D50 GR. 3 | FRONT GEAR PUMP | VORD. ZAHNRADPUMPE |
| 4 13250331 | PAKNINGSSÆT FOR MARZ. PUMPE GR. 3 | PACKING SET | DICHTSATZ |
| 5 13776001 | MANGENOTSBØSNING Ø34.5/Ø19 X 26 MM | SPLINE BUSH | ANSCHLUSSBUCHSE |
| 6 14258700 | UNBRACO MC 10 X 40 MM | UNBRACO SCREW | UNBRACOSCHRAUBE |
| 7 13717301 | MELLEMKOBLING GRUPPE 3 + 2/D | INTERMEDIATE COUPLING | ZWISCHENKUPPLUNG |
| 7 13315346 | O-RING Ø46.0 X 2.0 MM | O-RING | O-RING |
| 8 13712580 | MIDT. TANDHJULSPUMPE I2D40 GR. 2 | MIDDLE GEAR PUMP | MITT. ZAHNRADPUMPE |
| 8 13250330 | PAKNINGSSÆT FOR MARZ. PUMPE GR. 2 | PACKING SET | DICHTSATZ |
| 9 13717303 | MELLEMKOBLING GRUPPE 2 + 2/D-S | INTERMEDIATE COUPLING | ZWISCHENKUPPLUNG |
| 9 13315346 | O-RING Ø46.0 X 2.0 MM | O-RING | O-RING |
| 10 13712530 | BAGESTE TANDHJULSPUMPE P2D25 GR. 2 | REAR GEAR PUMP | HINT. ZAHNRADPUMPE |
| 10 13250330 | PAKNINGSSÆT FOR MARZ. PUMPE GR. 2 | PACKING SET | DICHTSATZ |



MIISA TE105

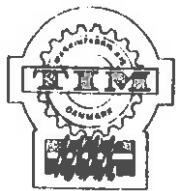


Forreste gear + pumper - DK

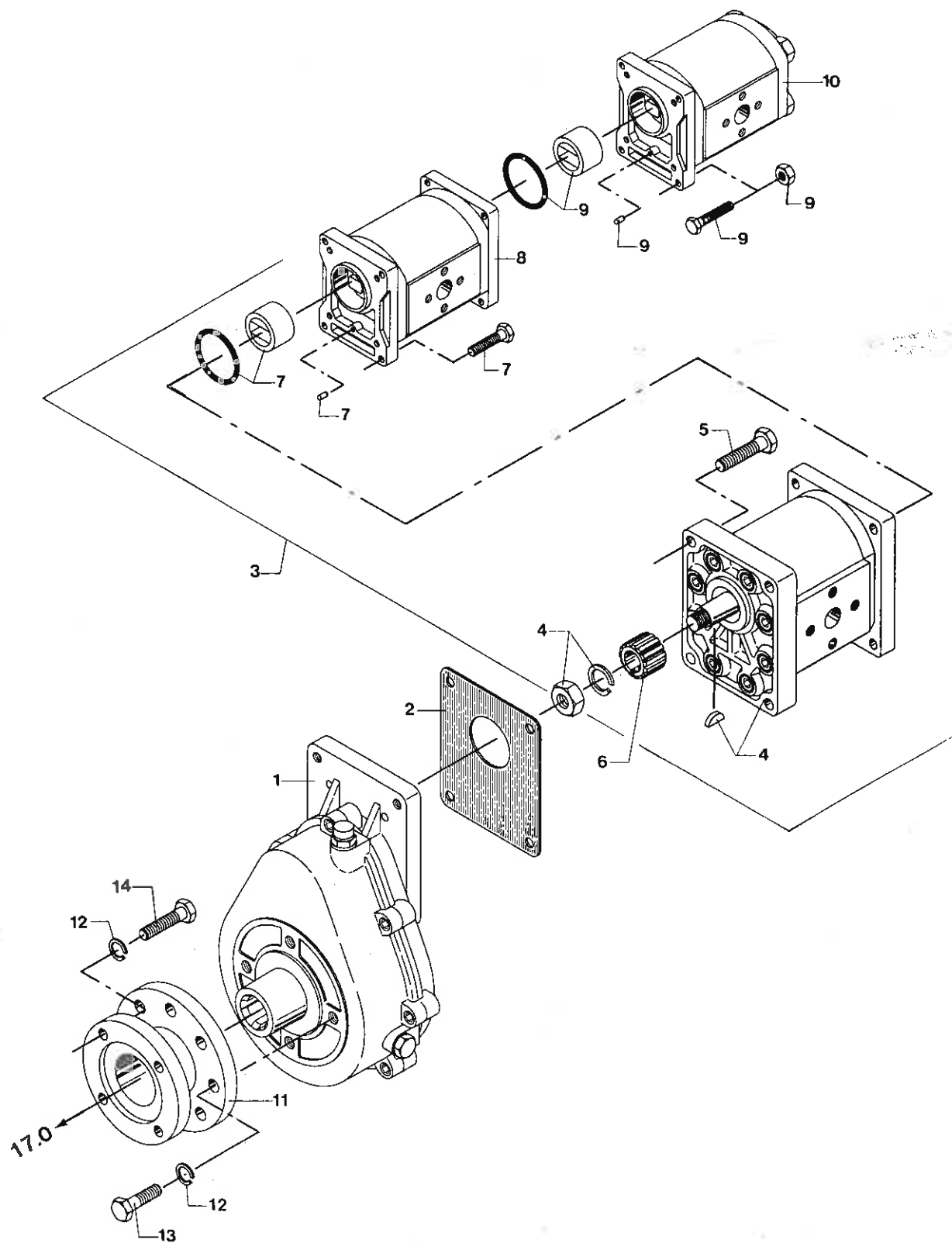
Front gear + pumps - DK

Vor. Getriebe + Pumpen - DK

| | | | |
|------------|-------------------------------------|-----------------------|-------------------------|
| 1 13776410 | SPEED-UP GEAR 1:3 | SPEED-UP GEAR | GESCHLEUNIGUNGSGETRIEBE |
| 2 13250200 | PAKNING F. GR.3 PUMPE | SEAL F. PUMP | DICHTUNG F. PUMPE |
| 3 13713610 | TANDHJULSPUMPE 3D50/2D40 GR. 3/2 | GEAR PUMP | ZAHNRADPUMPE |
| 4 13712655 | FORRESTE TANDHJULSPUMPE A3D50 GR. 3 | FRONT GEAR PUMP | VORD. ZAHNRADPUMPE |
| 4 13250331 | PAKNINGSSÆT FOR MARZ. PUMPE GR. 3 | PACKING SET | DICHTSATZ |
| 5 13776001 | MANGENOTSØSNING Ø34.5/Ø19 X 26 MM | SPLINE BUSH | ANSCHLUSSBUCHSE |
| 6 14258700 | UNBRACO MC 10 X 40 MM | UNBRACO SCREW | UNBRACOSCHRAUBE |
| 7 13717301 | MELLEMKOBLING GRUPPE 3 + 2/D | INTERMEDIATE COUPLING | ZWISCHENKUPPLUNG |
| 7 13315346 | O-RING Ø46.0 X 2.0 MM | O-RING | O-RING |
| 8 13712545 | BAGESTE TANDHJULSPUMPE P2D40 GR. 2 | REAR GEAR PUMP | HINT. ZAHNRADPUMPE |
| 8 13250330 | PAKNINGSSÆT FOR MARZ. PUMPE GR. 2 | PACKING SET | DICHTSATZ |



MIISA TE105 KRB/S 311 RE

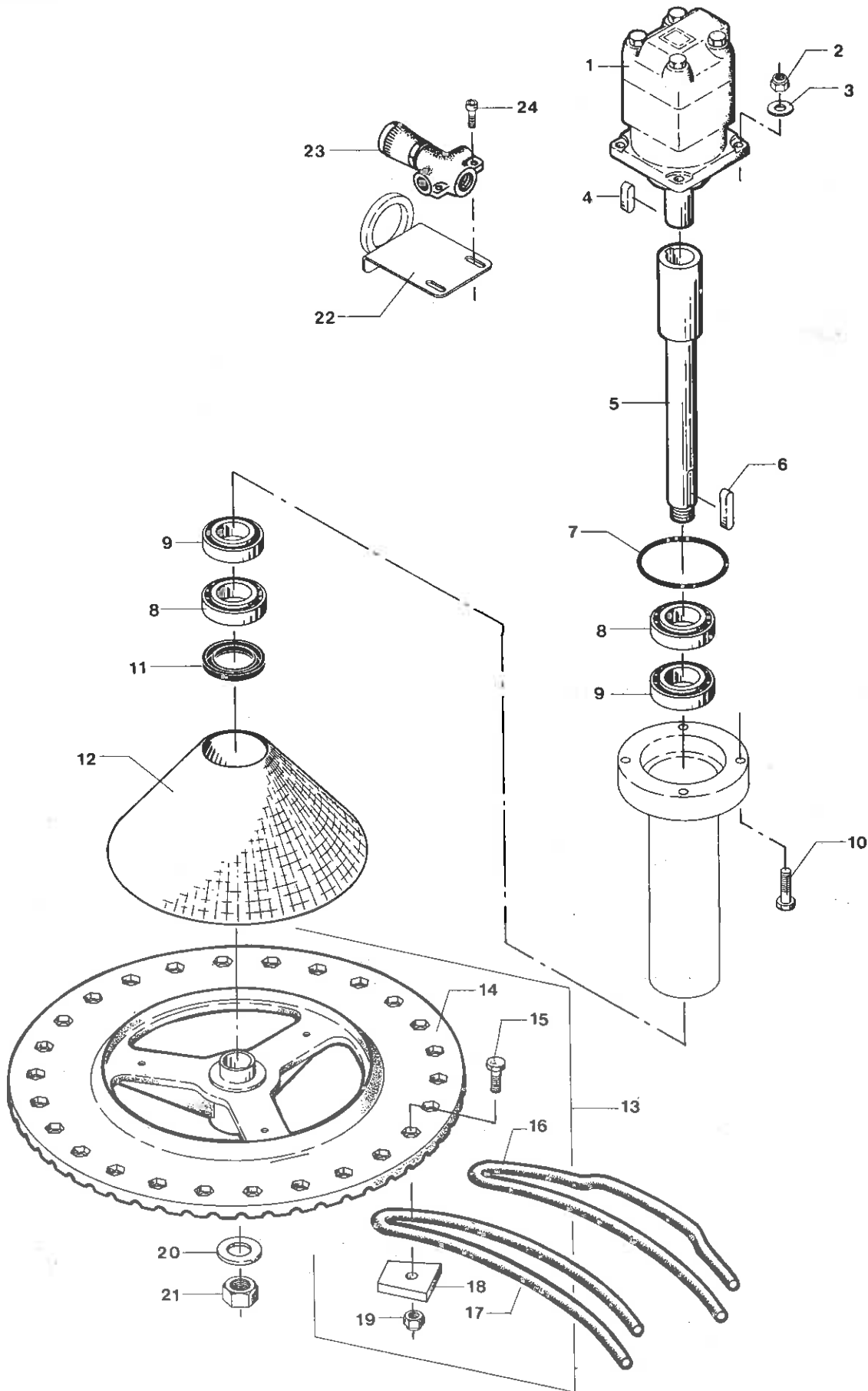


 Bageste gear + pumper Rear gear + pumps Hint. Getriebe + Pumpen

| | | | |
|-------------|-------------------------------------|-----------------------|-------------------------|
| 1 13776000 | GEAR F. TANDHJULSPUMPE UDVK. 1:3.1 | GEAR F/GEAR PUMP | GETRIEBE F/ZAHNRADPUMPE |
| 2 13250200 | PAKNING F. GR.3 PUMPE | SEAL F. PUMP | DICHTUNG F. PUMPE |
| 3 13714525 | TANDHJULSPUMPE 3D60/2D25/2D25 GR3/2 | GEAR PUMP | ZAHNRADPUMPE |
| 4 13712665 | FORRESTE TANDHJULSPUMPE A3D60 GR. 3 | FRONT GEAR PUMP | VORD. ZAHNRADPUMPE |
| 4 13250331 | PAKNINGSSÆT FOR MARZ. PUMPE GR. 3 | PACKING SET | DICHTSATZ |
| 5 14087800 | SETSKRUE GROV M10 X 40 MM | SET SCREW | SETZSCHRAUBE |
| 6 13776001 | MANGENOTSØSNING Ø34.5/Ø19 X 26 MM | SPLINE BUSH | ANSCHLUSSBUCHSE |
| 7 13717301 | MELLEMKOBLING GRUPPE 3 + 2/D | INTERMEDIATE COUPLING | ZWISCHENKUPPLUNG |
| 7 13315346 | O-RING Ø46.0 X 2.0 MM | O-RING | O-RING |
| 8 13712575 | MIDT. TANDHJULSPUMPE I2D25 GR. 2 | MIDDLE GEAR PUMP | MITT. ZAHNRADPUMPE |
| 8 13250330 | PAKNINGSSÆT FOR MARZ. PUMPE GR. 2 | PACKING SET | DICHTSATZ |
| 9 13717303 | MELLEMKOBLING GRUPPE 2 + 2/D-S | INTERMEDIATE COUPLING | ZWISCHENKUPPLUNG |
| 9 13315346 | O-RING Ø46.0 X 2.0 MM | O-RING | O-RING |
| 10 13712530 | BAGESTE TANDHJULSPUMPE P2D25 GR. 2 | REAR GEAR PUMP | HINT. ZAHNRADPUMPE |
| 10 13250330 | PAKNINGSSÆT FOR MARZ. PUMPE GR. 2 | PACKING SET | DICHTSATZ |
| 11 471678 | BESLAG F. GEAR | FITTING F/GEAR | BESCHLAG F/GETRIEBE |
| 12 14462600 | CENTERFJEDERSKIVE M10 | SPRING WASHER | FEDERSCHEIBE |
| 13 14087600 | SETSKRUE GROV M10 X 30 MM | SET SCREW | SETZSCHRAUBE |
| 14 14087700 | SETSKRUE GROV M10 X 35 MM | SET SCREW | SETZSCHRAUBE |



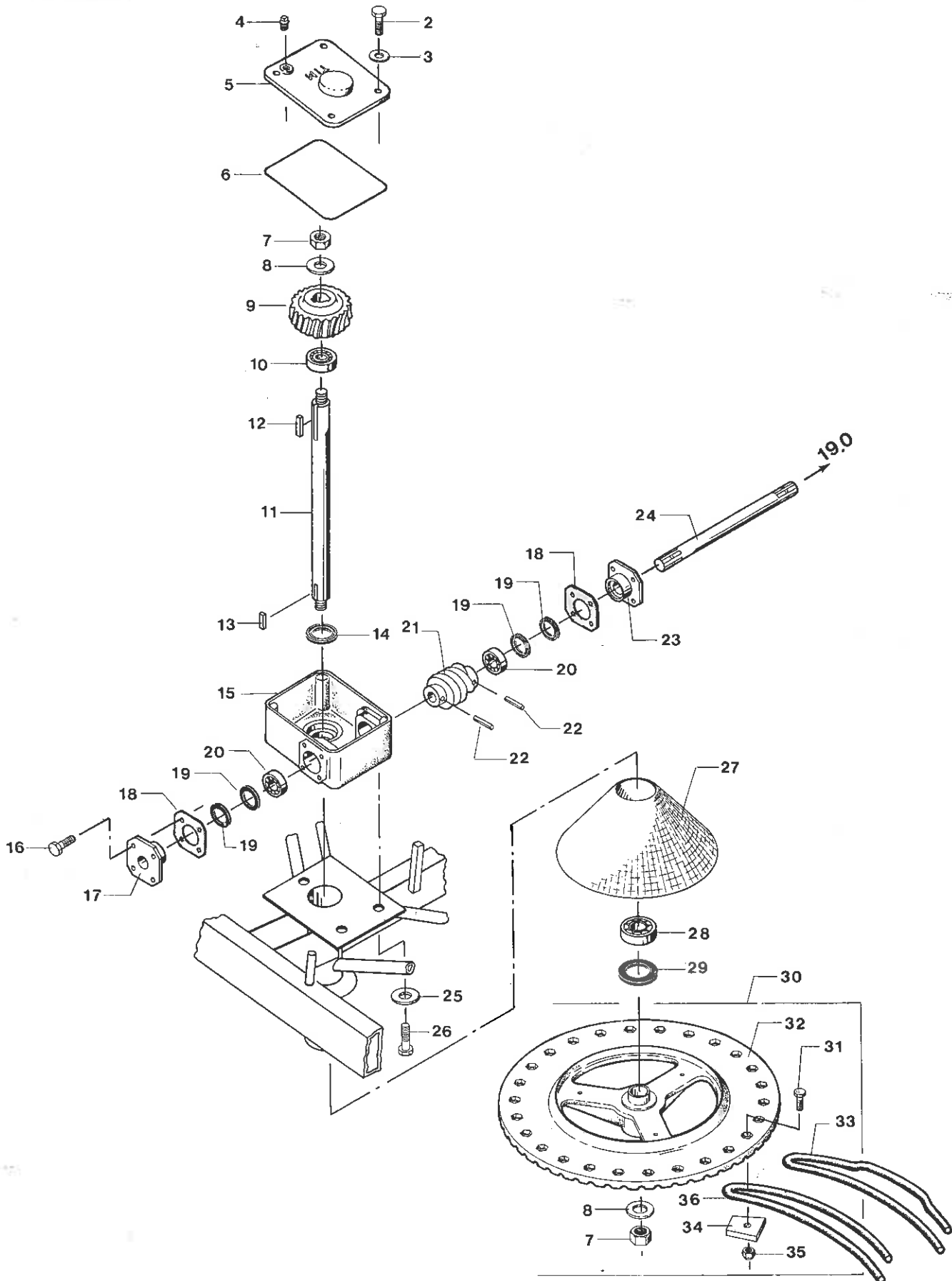
MIISA TE105 KRB/S 311 RE



| | Forreste grenhjul | Front spider | Vorderes Siebrad |
|----|-------------------|------------------------------------|-------------------------|
| 1 | 13719739 | OLIEMOTOR OMT 500 | OIL MOTOR |
| 1 | 13719910 | PAKNINGSSET ALLE OMT/OMTS | PACKING SET |
| 2 | 14430700 | LÅSEMØTRIK M12 | LOCK NUT |
| 3 | 14453000 | SVÆR SKIVE 1/2" | WASHER |
| 4 | 14608531 | PASFEDER 12 X 8 X 63 MM | KEY |
| 5 | 493267 | GEARKASSEAKSEL Ø60 X 456 MM | GEAR SHAFT |
| 6 | 14617900 | DRIVKILE 10 X 10 X 90 MM | LAUNCHING WEDGE |
| 7 | 13314990 | O-RING Ø123.42 X 3.53 MM | O-RING |
| 8 | 15112201 | SPORKUGLELEJE ENRÆK. 6208-RS | STEP BALL BEARING 1-R. |
| 9 | 15112200 | SPORKUGLELEJE ENRÆK. 6208 | STEP BALL BEARING 1-R. |
| 10 | 14046500 | MASKINBOLT GROV M12 X 75 MM | BOLT |
| 11 | 13332500 | SIMMERRING 50 X 80 X 10 MM | OIL SEAL |
| 12 | 491186 | KEGLESTUB F. GRENHJUL | TRUNCATED CONE F/SPIDER |
| 13 | 419084 | GRENHJ. KPL.Ø19 9/432767-17/432765 | SPINDER CPL. |
| 14 | 419220 | GRENHJULSPLADE M/NAV | SPINDER PLATE W/HUB |
| 15 | 14092600 | SÆTSKRUE GROV M16 X 60 MM | SET SCREW |
| 16 | 432767 | V. DOBB. MEDBRINGERGREN Ø19 X 1080 | DOUBLE LH CRANK TINE |
| 17 | 432765 | DOBB. LEDEGREN Ø19 X 1080 MM | DOUBLE SPINDER TINE |
| 18 | 432764 | SPENDEPLADE | CLAMP PLATE |
| 19 | 14431000 | LÅSEMØTRIK M16 | LOCK NUT |
| 20 | 14453500 | SVÆR SKIVE 1" | WASHER |
| 21 | 14406110 | MØTRIK WG 1" | NUT |
| 22 | 419222 | SKÆRM V/MÆNGDEREG. VENTIL | GUARD F/VALVE |
| 23 | 13732201 | MÆNGDEREGULERINGSVENTIL 2RCR-M08 | QUANTITY CONTROL VALVE |
| 24 | 14255600 | UNBRACO MC 6 X 40 MM | UNBRACO SCREW |
| | | | OELMOTOR |
| | | | DICHTSATZ |
| | | | GEGENMUTTER |
| | | | SCHEIBE |
| | | | PASSFEDER |
| | | | GETRIEBEWELLE |
| | | | TRIEBKEIL |
| | | | O-RING |
| | | | SPORKUGELLAGER 1-REIH. |
| | | | SPURKUGELLAGER 1-REIH. |
| | | | BOLZEN |
| | | | OELFANGRING |
| | | | KEGELSTUMPF F/SIEBRAD |
| | | | SIEBRAD KPL. |
| | | | SIEBRADPLATTE M/NABE |
| | | | SETZSCHRAUBE |
| | | | DOPP. MITNEHMERZINKE L. |
| | | | DOPP. SIEBRADZINKE |
| | | | SPANNPLATTE |
| | | | GEGENMUTTER |
| | | | SCHEIBE |
| | | | MUTTER |
| | | | SCHIRM F/VENTIL |
| | | | MÆNGENREGLVENTIL |
| | | | UNBRACOSCHRAUBE |



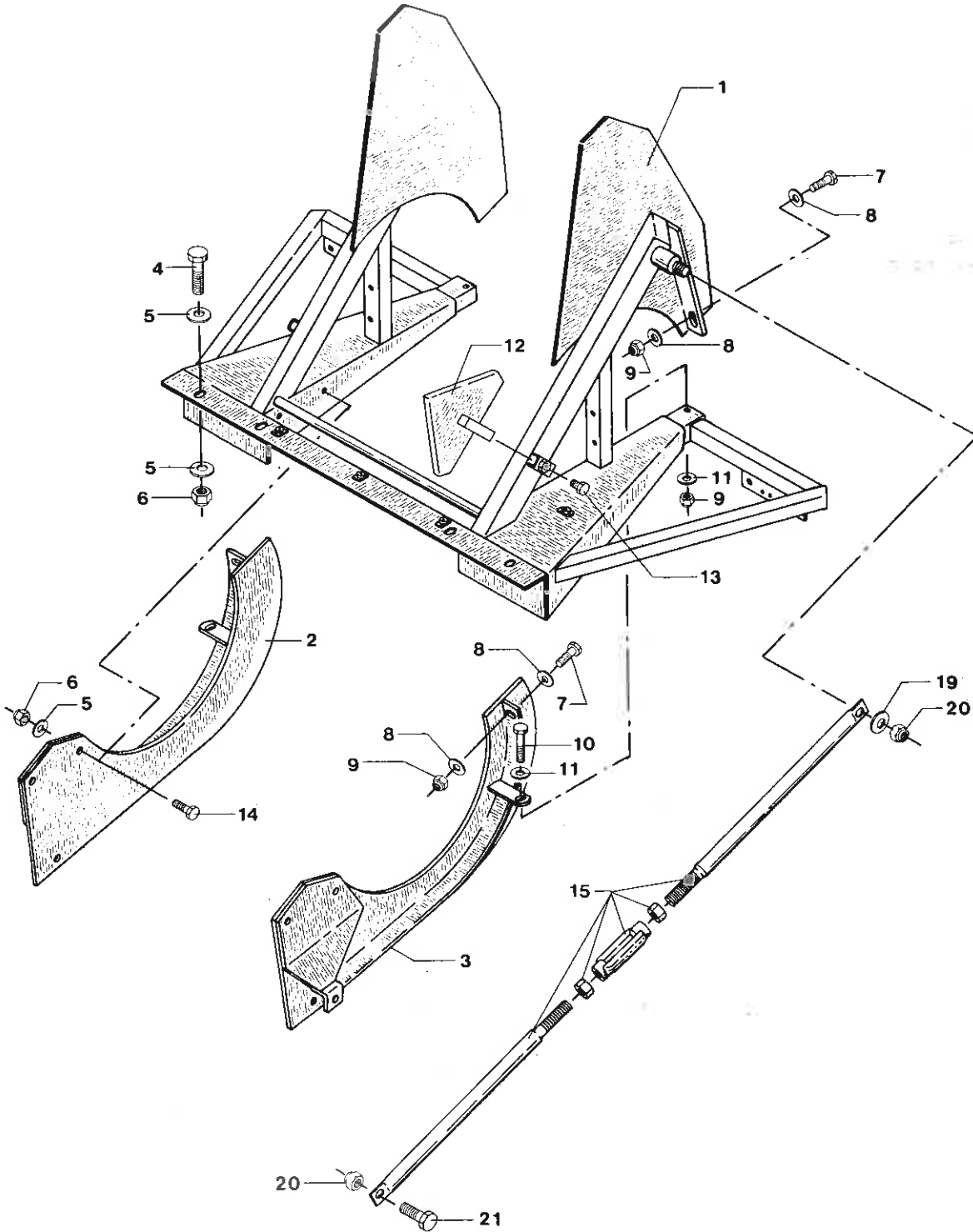
MIISA TE105 KRB/S 311 RE



| Bageste grenhjul | Rear spider | Hinteres Siebrad | |
|------------------|-------------------------------------|-------------------------|-------------------------|
| 2 14087600 | SÆTSKRUE GROV M10 X 30 MM | SET SCREW | SETZSCHRAUBE |
| 3 14470500 | KOBBERSKIVE 19 X 10 X 1.5 MM | COPPER WASHER | KUPFERSCHEIBE |
| 4 13430300 | HYDR. RØRPROP UDEN RAND 1/2" BSP | HYDR. PIPE PLUG WO/BRIM | HYDR. ROHRPROPF. O/RAND |
| 5 611201 | GEARKASSELÅG | GEARBOX COVER | DECKEL F/GETRIEBE |
| 6 13225000 | PAKNING F/GEARKASSELÅG 210 X 256 MM | SEAL F/GEARBOX COVER | DICHTUNG F/GETR.-DECKEL |
| 7 14406110 | MØTRIK WG 1" | NUT | MUTTER |
| 8 14453500 | SVÆR SKIVE 1" | WASHER | SCHEIBE |
| 9 471392 | SNEKKEHJUL 2-LØBET HØJRE | WORM WHEEL 2 THREAD RH | SCHNECKENRAD 2-GEW. R. |
| 10 15112200 | SPORKUGLELEJE ENRÆK. 6208 | STEP BALL BEARING 1-R. | SPURKUGELLAGER 1-REIH. |
| 11 411226 | GEARKASSEAKSEL Ø40 X 695 MM | GEAR SHAFT | GETRIEBEWELLE |
| 12 14611500 | PASFEDER 10 X 10 X 47 MM | KEY | PASSFEDER |
| 13 14617900 | DRIVKILE 10 X 10 X 90 MM | LAUNCHING WEDGE | TRIEBKEL |
| 14 13330000 | SIMMERRING 40 X 60 X 10 MM | OIL SEAL | OELFANGRING |
| 15 492904 | GEARKASSEHUS STOR | GEARBOX HOUSING BIG | GETRIEBEGEHÆUSE GROSS |
| 16 14087500 | SÆTSKRUE GROV M10 X 25 MM | SET SCREW | SETZSCHRAUBE |
| 17 492905 | ÅBENT ENDESTYKKE F/GEARKASSE (ALM.) | GEARB.END PIECE (R.DR.) | ENDST.F/GETRIEBE(HUBR.) |
| 18 13251500 | PAPIRSPAKNING | PAPER SEAL | PAPIERDICHTUNG |
| 19 13328000 | SIMMERRING 35 X 62 X 10 MM | OIL SEAL | OELFANGRING |
| 20 15113100 | SPORKUGLELEJE ENRÆK. 6307 | STEP BALL BEARING 1-R. | SPURKUGELLAGER 1-REIH. |
| 21 470472 | SNEKKE 2-LØBET HØJRE Ø35 | WORM 2-THR. RH | SCHNECKE 2-GEW. R. |
| 22 14581800 | RØRSPÆNDESTIFT Ø13 X 55 MM | DOWEL | ROHRSPANNSTIFT |
| 23 732443 | ENDESTYKKE F/GEARKASSE (HOLL. BAG.) | GEARB.END COVER (DUTCH) | ENDST.F/GETRIEBE (HOLL) |
| 24 491233 | SNEKKEAKSEL Ø35 X 380 MM | WORM SHAFT | SCHNECKENWELLE |
| 25 14462700 | CENTERFJEDERSKIVE M12 | SPRING WASHER | FEDERSCHEIBE |
| 26 14089600 | SÆTSKRUE GROV M12 X 25 MM | SET SCREW | SETZSCHRAUBE |
| 27 491186 | KEGLESTUB F. GRENHJUL | TRUNCATED CONE F/SPIDER | KEGELSTUMPF F/SIEBRAD |
| 28 15112400 | SPORKUGLELEJE ENRÆK. 6208-2RS | STEP BALL BEARING 1-R. | SPURKUGELLAGER 1-REIH. |
| 29 13332500 | SIMMERRING 50 X 80 X 10 MM | OIL SEAL | OELFANGRING |
| 30 419084 | GRENHJ. KPL.Ø19 9/432767-17/432765 | SPINDER CPL. | SIEBRAD KPL. |
| 31 14092600 | SÆTSKRUE GROV M16 X 60 MM | SET SCREW | SETZSCHRAUBE |
| 32 419220 | GRENHJULSPLADE M/NAV | SPINDER PLATE W/HUB | SIEBRADPLATE M/NABE |
| 33 432765 | DOBB. LEDEGREN Ø19 X 1080 MM | DOUBLE SPINDER TINE | DOPP. SIEBRADZINKE |
| 34 432764 | SPENDEPLADE | CLAMP PLATE | SPANNPLATE |
| 35 14431000 | LÅSEMØTRIK M16 | LOCK NUT | GEGENMUTTER |
| 36 432767 | V. DOBB. MEDBRINGERGREN Ø19 X 1080 | DOUBLE LH CRANK TINE | DOPP. MITNEHMERZINKE L. |



MIISA TE105 KRB/S 311 RE

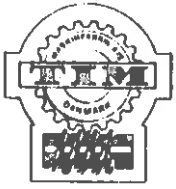


Fast ramme, holl. bagende

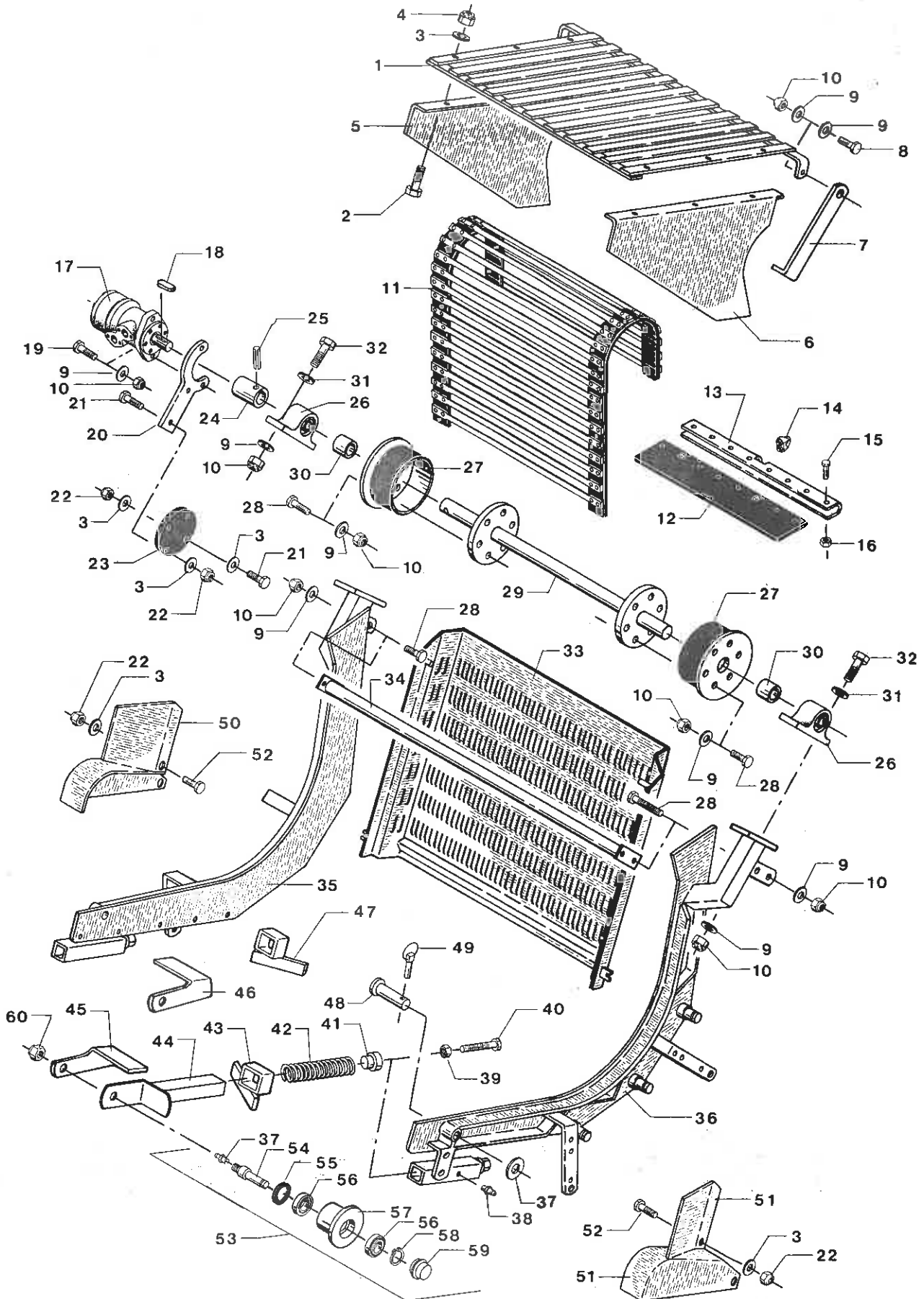
Fixed elevator frame

Fester Elevatorrahmen

| | | | |
|-------------|------------------------------|-------------------------|-------------------------|
| 1 444661 | RAMME F. ELEVATOR | FRAME F. ELEVATOR | RAHMEN F. ELEVATOR |
| 2 444654 | H. NEDERSTE SIDEPLADE | RH LOW SIDE PLATE | R. UNTERE SEITENPLATTE |
| 3 444655 | V. NEDERSTE SIDEPLADE | LH LOW SIDE PLATE | L. UNTERE SEITENPLATTE |
| 4 14046800 | MASKINBOLT GROV M12 X 100 MM | BOLT | BOLZEN |
| 5 14440500 | SVÆR SKIVE 13 X 24 X 2.5 MM | WASHER | SCHEIBE |
| 6 14430700 | LÅSEMØTRIK M12 | LOCK NUT | GEGENMUTTER |
| 7 14087600 | SÆTSKRUE GROV M10 X 30 MM | SET SCREW | SETZSCHRAUBE |
| 8 14444300 | SKÆRMSKIVE 3/8" | WASHER | SCHEIBE |
| 9 14430500 | LÅSEMØTRIK M10 | LOCK NUT | GEGENMUTTER |
| 10 14044700 | MASKINBOLT GROV M10 X 75 MM | BOLT | BOLZEN |
| 11 14440400 | SVÆR SKIVE 10.5 X 21 X 2 MM | WASHER | SCHEIBE |
| 12 444672 | SKÆRMPLADE | GUARD PLATE | SCHIRMPLATTE |
| 13 14159700 | TAPSÆTSKRUE GROV M10 X 20 MM | STUD SET SCREW | ZAPFSETZSCHRAUBE |
| 14 14089800 | SÆTSKRUE GROV M12 X 35 MM | SET SCREW | SETZSCHRAUBE |
| 15 444669 | JUSTERBAR ELEVATORSTØTTE | ADJUSTAB. ELEV. SUPPORT | EINSTELLB. ELEV.-STÜTZE |
| 19 14440800 | SVÆR SKIVE 21 X 37 X 3 MM | WASHER | SCHEIBE |
| 20 14431400 | LÅSEMØTRIK M20 | LOCK NUT | GEGENMUTTER |
| 21 14094400 | SÆTSKRUE GROV M20 X 40 MM | SET SCREW | SETZSCHRAUBE |



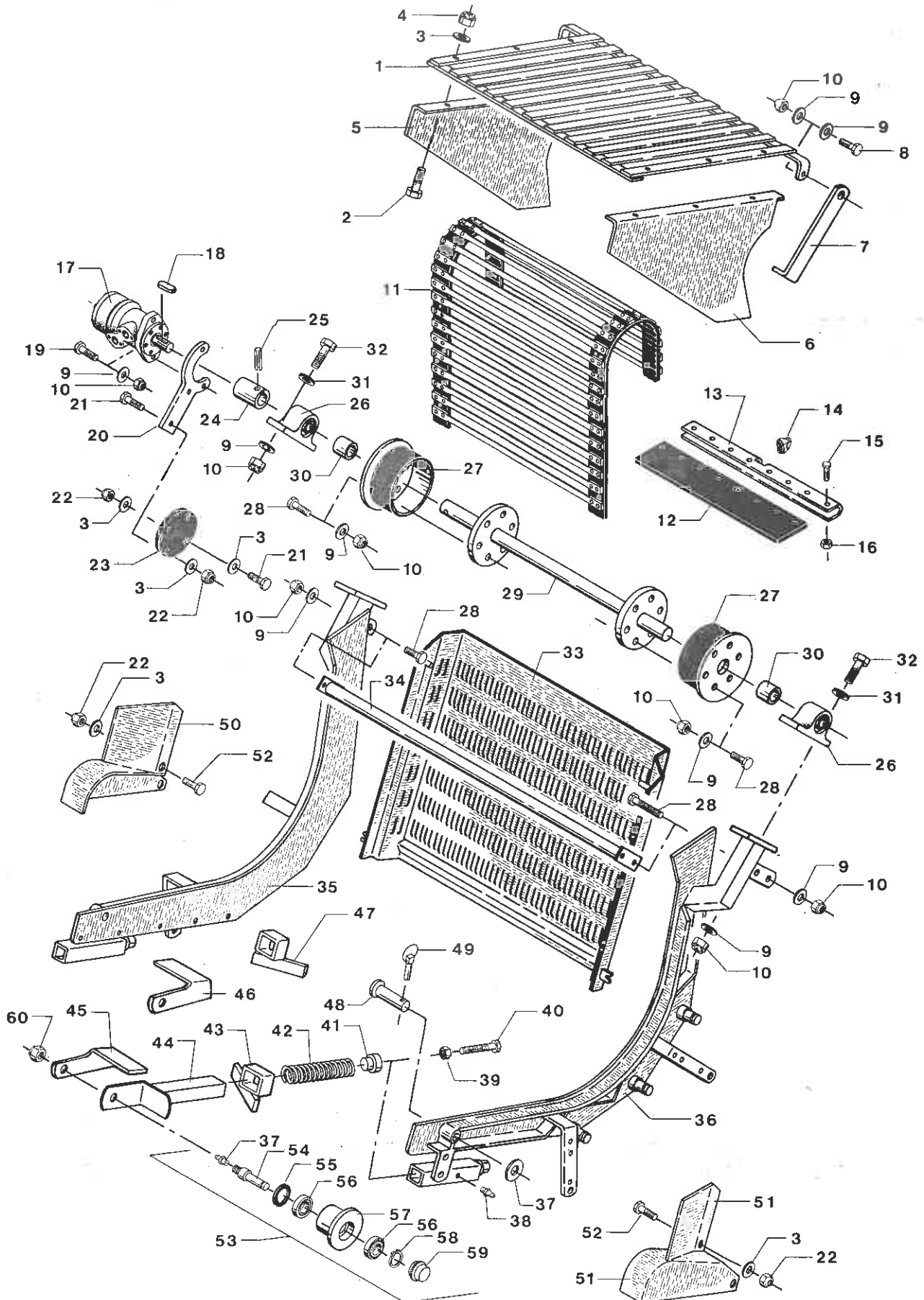
MILSA TE105 KRB/S 311 RE



| | Bevægelig rensbånd | Movable cleaning belt | Bewegl. Reinigungsband |
|-------------|-------------------------------------|-------------------------|--------------------------|
| 1 445248 | GITTER OVER BÅND | GRATE F/BELT | GITTER F/BAND |
| 2 14042300 | MASKINBOLT GROV M8 X 35 MM | BOLT | BOLZEN |
| 3 14440400 | SVÆR SKIVE 10.5 X 21 X 2 MM | WASHER | SCHEIBE |
| 4 14430300 | LÅSEMØTRIK M8 | LOCK NUT | GEGENMUTTER |
| 5 445109 | H. SKERM FOR GITTER | RH GUARD F/GRATE | R. SCHIRM F/GITTER |
| 6 445108 | V. SKERM FOR GITTER | LH GUARD F/GRATE | L. SCHIRM F/GITTER |
| 7 445105 | HOLDER F/BEVÆGELIGT GITTER | HOLDER F/MOVABLE GRATE | HALTER F/BEWEGL. GITTER |
| 8 14090000 | SÆTSKRUE GROV M12 X 45 MM | SET SCREW | SETZSCHRAUBE |
| 9 14440500 | SVÆR SKIVE 13 X 24 X 2.5 MM | WASHER | SCHEIBE |
| 10 14430700 | LÅSEMØTRIK M12 | LOCK NUT | GEGENMUTTER |
| 11 17819180 | GUMMIKÆDE 900 X 5250 MM | RUBBER CHAIN | GUMMIKETTE |
| 11 502259 | REP. SÆT BÅND, BR. 900 MM | REP. KIT F/BELT | REPARATURSATZ F/BAND |
| 12 2380011 | GUMMISKÆRM 714 X 110 X 10 MM | RUBBER GUARD | GUMMISCHIRM |
| 13 445166 | HOLDEBESLAG FOR GUMMILAP 2X100X714 | BRACKET F. RUBBER LAP | HALTBESCHL. F/GUMMILAP. |
| 14 14847300 | WIRELÅS FZB 7/16" | WIRE LOCK | DRAHTSEILSCHLOSS |
| 14 14430300 | LÅSEMØTRIK M8 | LOCK NUT | GEGENMUTTER |
| 15 14083900 | SÆTSKRUE GROV M6 X 20 MM | SET SCREW | SETZSCHRAUBE |
| 16 14430100 | LÅSEMØTRIK M6 | LOCK NUT | GEGENMUTTER |
| 17 13718700 | OLJEMOTOR OMR 160 | OIL MOTOR | OELMOTOR |
| 17 13719900 | PAKNINGSSET ALLE OMR | PACKING SET | DICHTSATZ |
| 18 14607400 | PASFEDER 8 X 7 X 32 MM | KEY | PASSFEDER |
| 19 14090000 | SÆTSKRUE GROV M12 X 45 MM | SET SCREW | SETZSCHRAUBE |
| 20 445001 | GAFFELBESLAG F. HYDR. MOTOR | CLEVIS FIT. F/OIL MOTOR | GABELBESCHL. F/HYD.MOTOR |
| 21 14087900 | SÆTSKRUE GROV M10 X 45 MM | SET SCREW | SETZSCHRAUBE |
| 22 14430500 | LÅSEMØTRIK M10 | LOCK NUT | GEGENMUTTER |
| 23 471676 | KOBLINGSSKIVE | CLUTCH DISK | KUPPLUNGSSCHEIBE |
| 24 444894 | BØSNING F. HYDR. MOTOR | BUSH F. OIL MOTOR | BUCHSE F. OELMOTOR |
| 25 14580700 | RØRSPENDESTIFT Ø12 X 50 MM | DOWEL | ROHRSPANNSTIFT |
| 26 15106100 | LEJEHUS F. STÅLEJE SY 507M | PEDEST. BEARING HOUSING | GEHÄUSE F/STEHLAGER |
| 26 15108001 | LEJE F.FLANGE- OG STÅLEJE - SKF 207 | BEARING F/FLANGE+PED.B. | LAGER F/FL.+STEHLAGER |
| 26 15168901 | STÅLEJE SY35TL SPEC. PAKNING | PEDESTAL BEAR. SPC.SEAL | STEHLAGER SPEZ.DICHT |
| 27 471660 | TOPRULLE M/BELEGNING | TOP ROLL W/COATING | OBERROLLE M/VERKLEIDUNG |
| 28 14089900 | SÆTSKRUE GROV M12 X 40 MM | SET SCREW | SETZSCHRAUBE |
| 29 444694 | ØVERSTE BAGESTE AKSEL | TOP REAR SHAFT | OBERE HINTERWELLE |
| 30 444904 | AFSTANDSBØSNING Ø40 X 2 X 30 MM | DISTANCE BUSH | ABSTANDBUCHSE |
| 31 14453000 | SVÆR SKIVE 1/2" | WASHER | SCHEIBE |
| 32 14042600 | MASKINBOLT GROV M8 X 50 MM | BOLT | BOLZEN |
| 33 444727 | BAGSKÆRM KPL. F/ELEVATOR | REAR GUARD CPL F/ELEV. | HINTERSCHIRM KPL F/ELE. |
| 34 444677 | TVERSTYKKE | CROSS PIECE | QUERSTÜCK |
| 35 444722 | H. SIDEPLADE F/BEVÆGELIG ELEVATOR | RH SIDE PL./PIVOT. ELE. | R SEITENPL./SCHWENKB.EL |
| 36 444721 | V. SIDEPLADE F/BEVÆGELIG ELEVATOR | LH SIDE PL./PIVOT. ELE. | L SEITENPL./SCHWENKB.EL |
| 37 443567 | RONDEL Ø50/Ø21 X 6 MM | DISC | RUNDELL |
| 38 13841000 | SMØRENIPPEL LIGE MF8 X 1 MM | GREASE NIPPLE STRAIGHT | SCHMIERNIPPEL GERADE |
| 39 14411100 | MØTRIK M16 | NUT | MUTTER |
| 40 14093500 | SÆTSKRUE GROV M16 X 130 MM | SET SCREW | SETZSCHRAUBE |
| 41 444908 | FJEDERBØSNING Ø30/18 X 30 MM | SPRING BUSH | FEDERBUCHSE |
| 42 14776325 | TRYKFJEDER Ø6.0 X Ø30 X 250 MM | COMPRESSION SPRING | DRUCK FEDER |
| 43 445160 | STENUDKASTER V. | STONE EJECTOR LH | STEINAUSWERFER L. |
| 44 444885 | INDERRØR I BÅNDSTRAMMER | INNER PIPE I/BELT TENS. | INW. ROHR I/BANDSPANNER |
| 45 444713 | AFSTRYGER V. | SCRAPER LH | ABSTREIFER L. |
| 46 444712 | AFSTRYGER H. | SCRAPER RH | ABSTREIFER R. |
| 47 445161 | STENUDKASTER H. | STONE EJECTOR RH | STEINAUSWERFER R. |
| 48 500149 | NAGLE Ø19 X 122 MM | PIN | NAGEL |



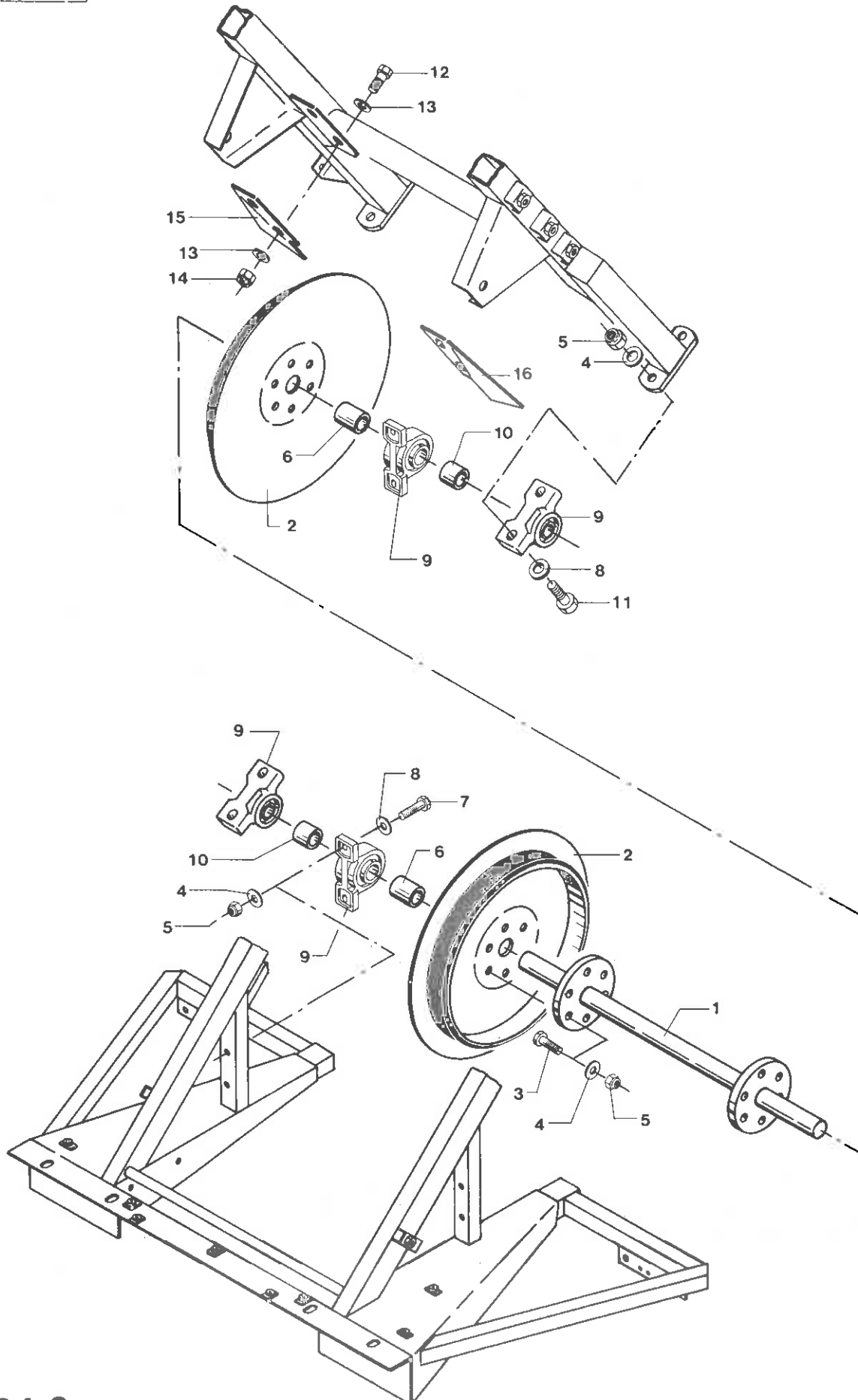
MIISA TE105 KRB/S 311 RE



| | | | |
|-------------|---------------------------------|-------------------------|------------------------|
| 49 14538700 | TRAKTORSPLIT Ø8 MM | LINCH PIN | SICHERUNGSSPLINT |
| 50 445193 | SKÆRM HØJRE | GUARD RH | SCHIRM R. |
| 51 445194 | SKÆRM VENSTRE | GUARD LH | SCHIRM L. |
| 52 14087600 | SÆTSKRUE GROV M10 X 30 MM | SET SCREW | SETZSCHRAUBE |
| 53 445056 | BUNDRULLE | BOTTOM ROLLER | BODENROLLE |
| 54 491718 | AKSEL F. BUNDRULLE Ø30 X 120 MM | BOTTOM ROLLER SHAFT | WELLE F/BODENROLLE |
| 55 13326500 | SIMMERRING 30 X 52 X 10 MM | OIL SEAL | OELFANGRING |
| 56 15112300 | SPØRKUGLELEJE ENRÆK. 6205-RS | STEP BALL BEARING 1-R. | SPURKUGELLAGER 1-REIH. |
| 57 430000 | RULLE M/GUMMIBELEGNING | ROLLER W/RUBBER COATING | ROLLE M/GUMMIVERKLEID. |
| 58 14642500 | SEEGERRING UDV. Ø25 MM | CIRCLIP | SICHERUNGSRING |
| 59 13272013 | NAVKAPSEL | HUB CAP | NABKAPSEL |
| 60 14431400 | LÅSEMØTRIK M20 | LOCK NUT | GEGENMUTTER |



MIISA TE105 KRB/S 311 RE



Omiøbehjul f. elevatororbånd

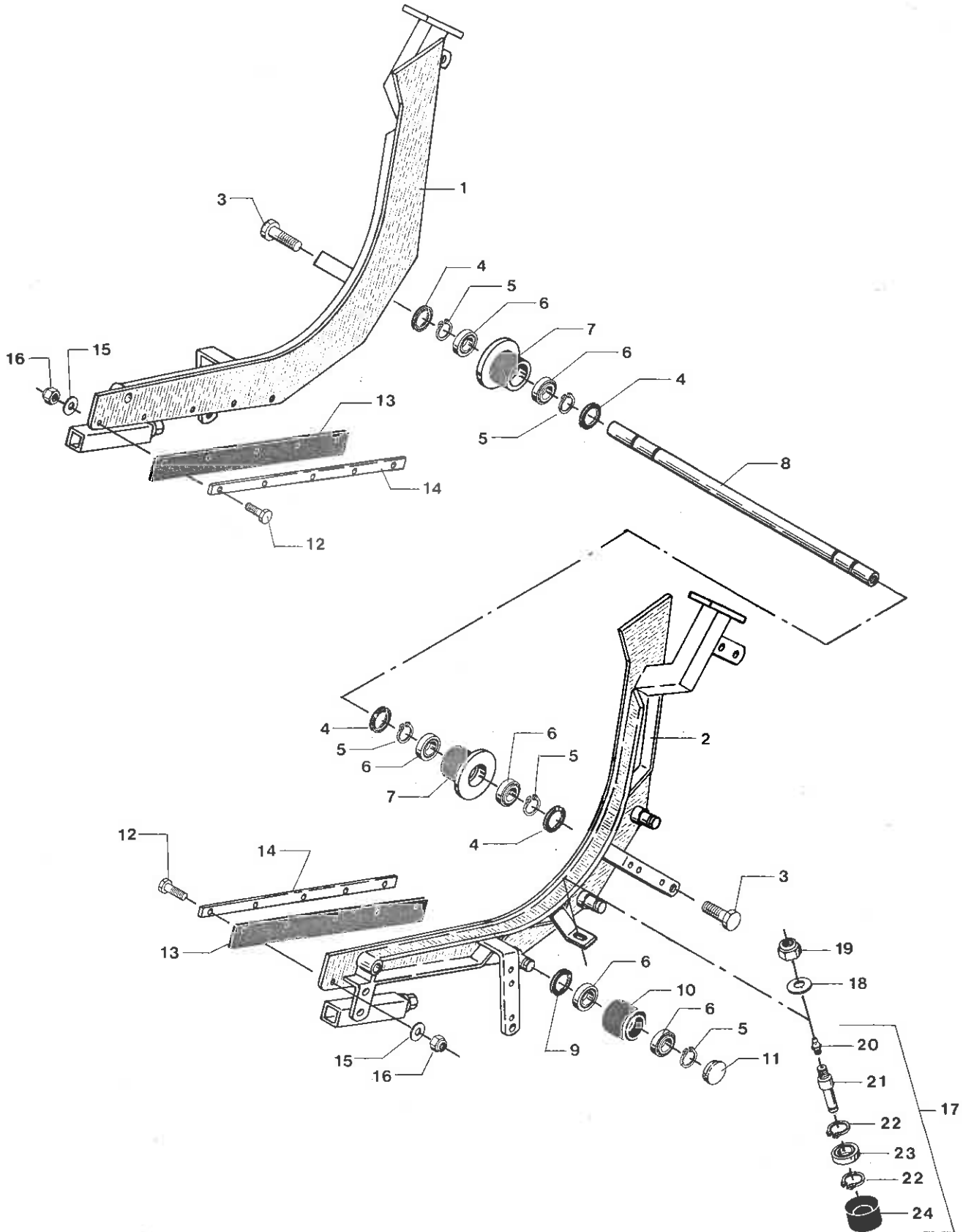
Turn wheel f. elev. belt

Umlaufrad f/Elev.-band

| | | | |
|-------------|-------------------------------------|-------------------------|-----------------------|
| 1 445179 | BAGESTE AKSEL Ø40 X 1025 MM | REAR SHAFT | HINTERWELLE |
| 2 444697 | DRIVHJUL | DRIVE WHEEL | TRIEBRAD |
| 3 14089700 | SETSKRUE GROV M12 X 30 MM | SET SCREW | SETZSCHRAUBE |
| 4 14440500 | SVÆR SKIVE 13 X 24 X 2.5 MM | WASHER | SCHEIBE |
| 5 14430700 | LÅSEMØTRIK M12 | LOCK NUT | GEGENMUTTER |
| 6 444902 | AFSTANDSBØSNING | DISTANCE BUSH | ABSTANDBUCHSE |
| 7 14046700 | MASKINBOLT GROV M12 X 90 MM | BOLT | BOLZEN |
| 8 14453000 | SVÆR SKIVE 1/2" | WASHER | SCHEIBE |
| 9 15169001 | STÅLEJE SY40TL SPEC. PAKNING | PEDESTAL BEAR. SPC.SEAL | STEHLAGER SPEZ.DICHT |
| 9 15106200 | LEJEHUS F. STÅLEJE SY 508M | PEDEST. BEARING HOUSING | GEHÄUSE F/STEHLAGER |
| 9 15108101 | LEJE F.FLANGE- OG STÅLEJE - SKF 208 | BEARING F/FLANGE+PED.B. | LAGER F/FL.+STEHLAGER |
| 10 444905 | AFSTANDSBØSNING Ø40 X 2 X 17 MM | DISTANCE BUSH | ABSTANDBUCHSE |
| 11 14046000 | MASKINBOLT GROV M12 X 50 MM | BOLT | BOLZEN |
| 12 14087900 | SETSKRUE GROV M10 X 45 MM | SET SCREW | SETZSCHRAUBE |
| 13 14440400 | SVÆR SKIVE 10.5 X 21 X 2 MM | WASHER | SCHEIBE |
| 14 14430500 | LÅSEMØTRIK M10 | LOCK NUT | GEGENMUTTER |
| 15 445133 | AFSTRYGGER H. | SCRAPER RH | ABSTREIFER R. |
| 16 445132 | AFSTRYGGER V. | SCRAPER LH | ABSTREIFER L. |



MIISA TE105 KRB/S 311 RE

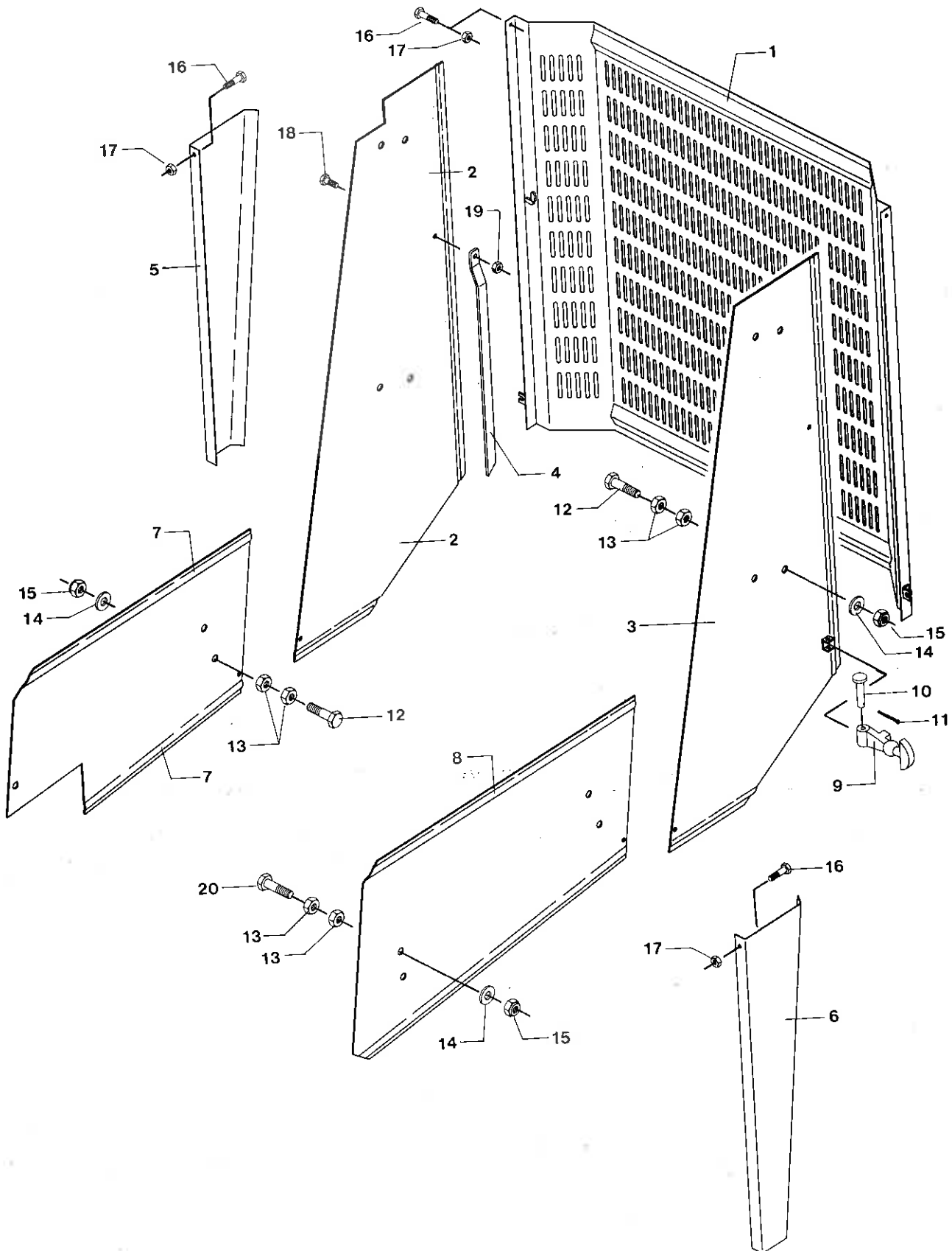


Gennemgående aksel f. rensébåen Thr.-going sh. f/cl.belt Durchg. Welle f/Rei.-band

| | | | |
|-------------|------------------------------------|-------------------------|-------------------------|
| 1 444722 | H. SIDEPLADE F/BEVÆGELIG ELEVATOR | RH SIDE PL./PIVOT. ELE. | R SEITENPL./SCHWENKB.EL |
| 2 444721 | V. SIDEPLADE F/BEVÆGELIG ELEVATOR | LH SIDE PL./PIVOT. ELE. | L SEITENPL./SCHWENKB.EL |
| 3 14092200 | SETS KRUE GROV M16 X 40 MM | SET SCREW | SETZSCHRAUBE |
| 4 13323500 | SIMMERRING 25 X 52 X 10 MM | OIL SEAL | OELFANGRING |
| 5 14642500 | SEEGERRING UDV. Ø25 MM | CIRCLIP | SICHERUNGSRING |
| 6 15112300 | SPORKUGLELEJE ENRÆK. 6205-RS | STEP BALL BEARING 1-R. | SPURKUGELLAGER 1-REIH. |
| 7 430000 | RULLE M/GUMMIBELEGNING | ROLLER W/RUBBER COATING | ROLLE M/GUMMIVERKLEID. |
| 8 445195 | BAGESTE AKSEL Ø25 X 1090 MM | REAR SHAFT | HINTERWELLE |
| 9 13326400 | SIMMERRING 30 X 52 X 8 MM | OIL SEAL | OELFANGRING |
| 10 472511 | BÆRERULLE UDEN TÆNDER | CARR. ROLLER WO/TEETH | TRAGROLLE OHNE ZAEHNE |
| 11 13272013 | NAVKAPSEL | HUB CAP | NABKAPSEL |
| 12 14085700 | SETS KRUE GROV M8 X 35 MM | SET SCREW | SETZSCHRAUBE |
| 13 2380013 | GUMMISKÆRM 780 X 50 X 10 MM | RUBBER GUARD | GUMMISCHIRM |
| 14 445181 | BESLAG F. GUMMI 20 X 5 X 780 MM | CLAMP F/RUBBER | BESCHLAG F/GUMMI |
| 15 14480200 | SPEC. SKIVE 25 X 8.5 X 2.0 MM | SPECIAL WASHER | SPEZIALSCHEIBE |
| 16 14430300 | LÅSEMØTRIK M8 | LOCK NUT | GEGENMUTTER |
| 17 491443 | BÆRERULLE KPL. | CARRYING ROLLER CPL. | TRAGROLLE KPL. |
| 18 14440800 | SVÆR SKIVE 21 X 37 X 3 MM | WASHER | SCHEIBE |
| 19 14431400 | LÅSEMØTRIK M20 | LOCK NUT | GEGENMUTTER |
| 20 13841000 | SMØRENIPPEL LIGE MF8 X 1 MM | GREASE NIPPLE STRAIGHT | SCHMIERNIPPEL GERADE |
| 21 491700 | AKSEL F. BÆRERULLE Ø29.99 X 105 MM | SHAFT F/CARRYING ROLLER | WELLE F/TRAGROLLE |
| 22 14643000 | SEEGERRING UDV. Ø30 MM | CIRCLIP | SICHERUNGSRING |
| 23 15112900 | SPORKUGLELEJE ENRÆK. 6306-RS | STEP BALL BEARING 1-R. | SPURKUGELLAGER 1-REIH. |
| 24 2380400 | BÆRERULLE F. GUMMIKÆDE | SUP. ROLL F/RUB.CHAIN | TRAGROLLE F/GUMMIKETTE |



KRB/S 311 RE



Afskærmning f/holl. bagende- D

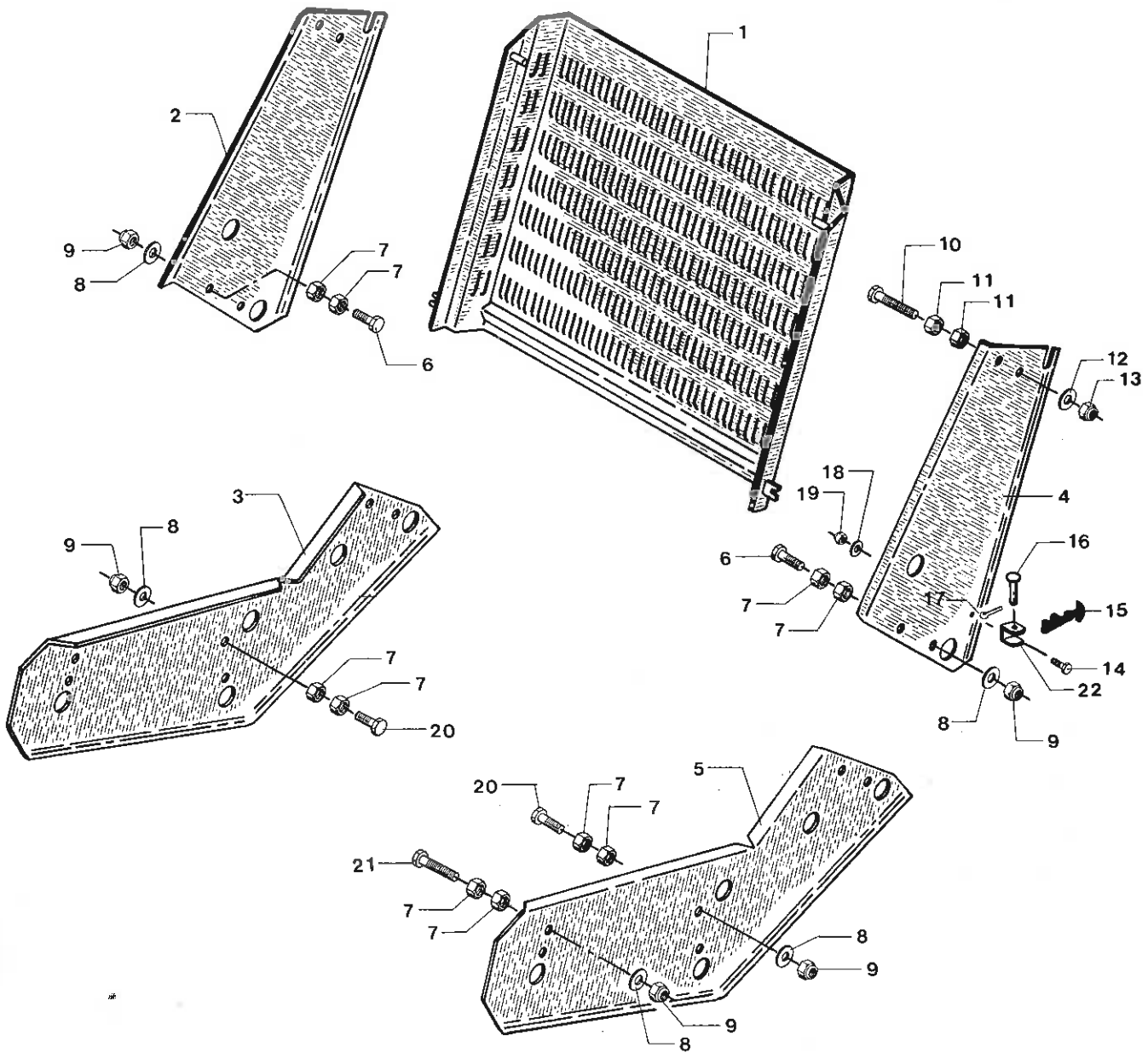
Guards f/rear end - D

Schirme f/holl. Hinterende - D

| | | | |
|-------------|-----------------------------|---------------------|------------------------|
| 1 494944 | BAGSKÆRM FOR ELEVATOR | REAR GUARD F/ELEV. | HINTERSCHIRM F/ELE. |
| 2 494964 | H. ØVERSTE SIDESKÆRM | RH TOP SIDE GUARD | R. OBERE SEITENSCHIRM |
| 3 494963 | V. ØVERSTE SIDESKÆRM | LH TOP SIDE GUARD | L. OBERE SEITENSCHIRM |
| 4 494957 | HOLDER FOR BAGSKÆRM | HOLDER F/REAR GUARD | HALTER F/HINTERSCHIRM |
| 5 494962 | HØJRE SIDESKÆRM | SIDE GUARD RH | SEITENSCHIRM R. |
| 6 494961 | VENSTRE SIDESKÆRM | SIDE GUARD LH | SEITENSCHIRM L. |
| 7 494953 | HØJRE NEDERSTE SIDESKÆRM | RH LOW SIDE GUARD | R. UNTERE SEITENSCHIRM |
| 8 494952 | VENSTRE NEDERSTE SIDESKÆRM | LH LOW SIDE GUARD | L. UNTERE SEITENSCHIRM |
| 9 15312301 | GUMMISTROP LGD. 60 MM | RUBBER STRAP | GUMMISTROPP |
| 10 14510300 | NITTE RUNDH. Ø4.6 X 30 MM | RIVET SNAPHEAD | NIET SCHELLKOPF |
| 11 14521000 | JERNPLIT Ø2 X 12 MM | SPLIT PIN | EISENSPLINT |
| 12 14087800 | SÆTSKRUE GROV M10 X 40 MM | SET SCREW | SETZSCHRAUBE |
| 13 14410600 | MØTRIK M10 | NUT | MUTTER |
| 14 14440400 | SVÆR SKIVE 10.5 X 21 X 2 MM | WASHER | SCHEIBE |
| 15 14430500 | LÅSEMØTRIK M10 | LOCK NUT | GEGENMUTTER |
| 16 14083700 | SÆTSKRUE GROV M6 X 12 MM | SET SCREW | SETZSCHRAUBE |
| 17 14430100 | LÅSEMØTRIK M6 | LOCK NUT | GEGENMUTTER |
| 18 14085400 | SÆTSKRUE GROV M8 X 20 MM | SET SCREW | SETZSCHRAUBE |
| 19 14430300 | LÅSEMØTRIK M8 | LOCK NUT | GEGENMUTTER |
| 20 14089000 | SÆTSKRUE GROV M10 X 120 MM | SET SCREW | SETZSCHRAUBE |



MIISA TE105



Afskærmning f/holl. bag. - DK

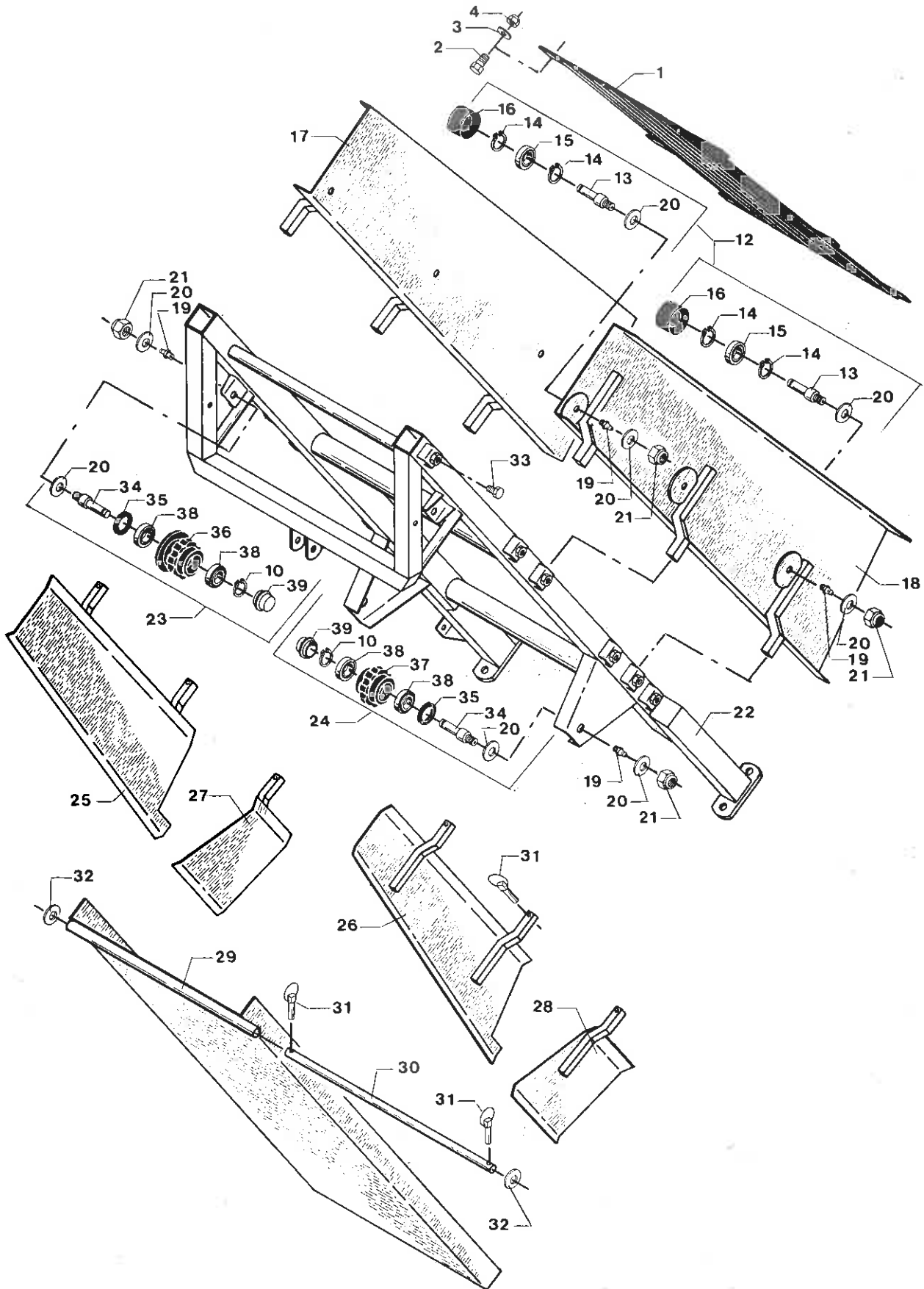
Guards f/rear end - DK

Schirme f/holl. Hinterend. - D

| | | | |
|-------------|--------------------------------|------------------------|-------------------------|
| 1 444727 | BAGSKÆRM KPL. F/ELEVATOR | REAR GUARD CPL F/ELEV. | HINTERSCHIRM KPL F/ELE. |
| 2 445121 | H. ØVERSTE SIDESKÆRM | RH TOP SIDE GUARD | R. OBERER SEITENSCHIRM |
| 3 445131 | H. UNDERSTE SIDESKÆRM | RH LOW SIDE GUARD | R. UNTERER SEITENSCHIRM |
| 4 445120 | V. ØVERSTE SIDESKÆRM | LH TOP SIDE GUARD | L. OBERER SEITENSCHIRM |
| 5 445130 | V. UNDERSTE SIDESKÆRM | LH LOW SIDE GUARD | L. UNTERER SEITENSCHIRM |
| 6 14087800 | SETSKRUE GROV M10 X 40 MM | SET SCREW | SETZSCHRAUBE |
| 7 14410600 | MØTRIK M10 | NUT | MUTTER |
| 8 14440400 | SVÆR SKIVE 10.5 X 21 X 2 MM | WASHER | SCHEIBE |
| 9 14430500 | LÅSEMØTRIK M10 | LOCK NUT | GEGENMUTTER |
| 10 14046000 | MASKINBOLT GROV M12 X 50 MM | BOLT | BOLZEN |
| 11 14410700 | MØTRIK M12 | NUT | MUTTER |
| 12 14440500 | SVÆR SKIVE 13 X 24 X 2.5 MM | WASHER | SCHEIBE |
| 13 14430700 | LÅSEMØTRIK M12 | LOCK NUT | GEGENMUTTER |
| 14 14083900 | SETSKRUE GROV M6 X 20 MM | SET SCREW | SETZSCHRAUBE |
| 15 15312301 | GUMMISTROP LGD. 60 MM | RUBBER STRAP | GUMMISTROPP |
| 16 14510300 | NITTE RUNDH. Ø4.6 X 30 MM | RIVET SNAPHEAD | NIET SCHELLKOPF |
| 17 14521000 | JERNSPLIT Ø2 X 12 MM | SPLIT PIN | EISENSPLINT |
| 18 14440100 | SVÆR SKIVE 6.4 X 12.5 X 1.6 MM | WASHER | SCHEIBE |
| 19 14430100 | LÅSEMØTRIK M6 | LOCK NUT | GEGENMUTTER |
| 20 14087700 | SETSKRUE GROV M10 X 35 MM | SET SCREW | SETZSCHRAUBE |
| 21 14089000 | SETSKRUE GROV M10 X 120 MM | SET SCREW | SETZSCHRAUBE |
| 22 15312302 | U-BØJLE | U-CLAMP | U-BÜGEL |



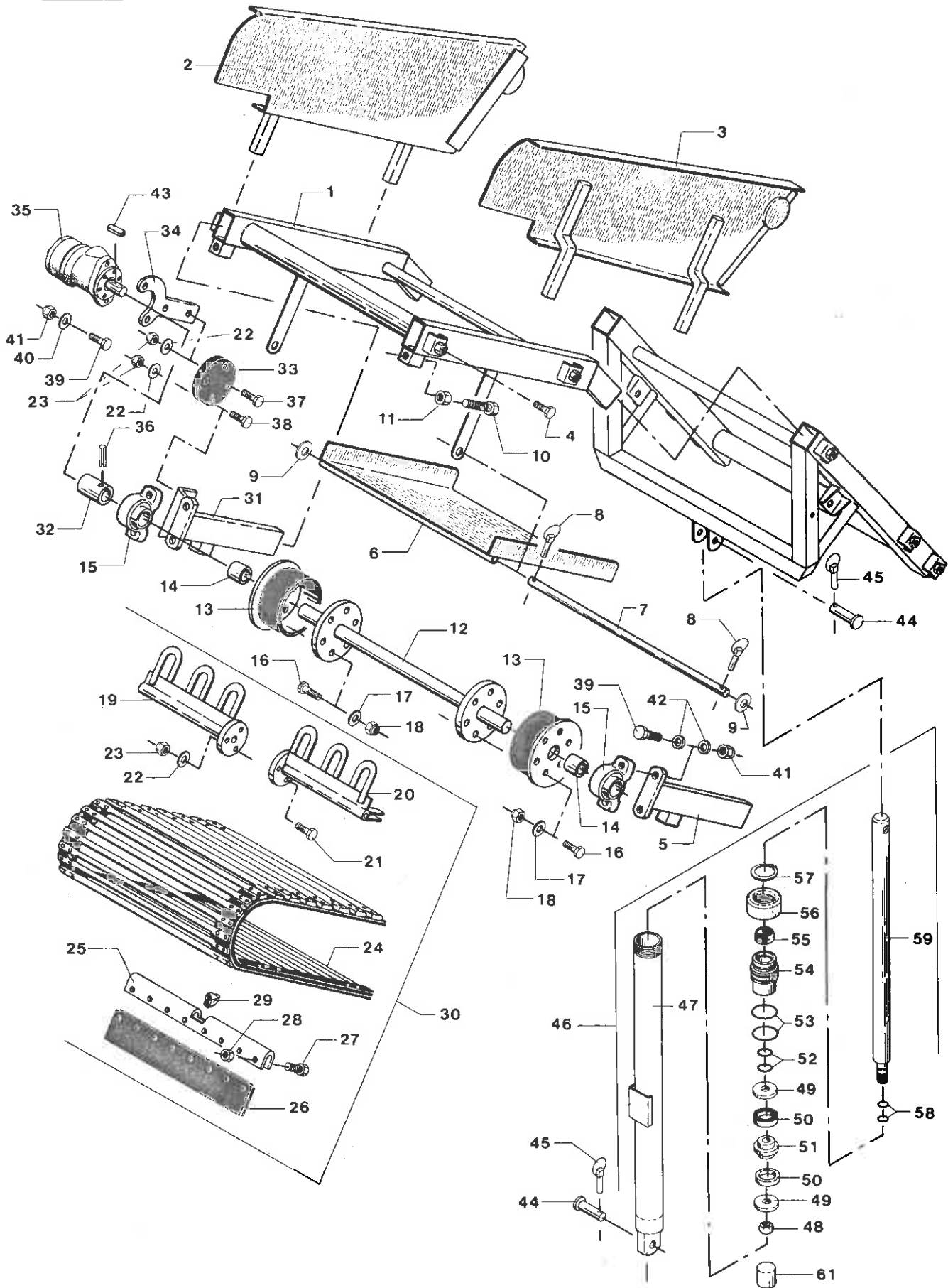
MIISA TE105 KRB/S 311 RE



| | Bev. elevatorramme + skærme | Movable el.frame + guards | Bew. El.-rahmen+Schirme | |
|----|-----------------------------|------------------------------------|-------------------------|-------------------------|
| 1 | 444659 | GITTER OVER ELEVATOR | GRATE OVER ELEVATOR | GITTER ÜBER ELEVATOR |
| 2 | 14089700 | SETS KRUE GROV M12 X 30 MM | SET SCREW | SETZSCHRAUBE |
| 3 | 14440500 | SVÆR SKIVE 13 X 24 X 2.5 MM | WASHER | SCHEIBE |
| 4 | 14430700 | LÅSEMØTRIK M12 | LOCK NUT | GEGENMUTTER |
| 10 | 14642500 | SEEGERRING UDV. Ø25 MM | CIRCLIP | SICHERUNGSRING |
| 12 | 491443 | BÆRERULLE KPL. | CARRYING ROLLER CPL. | TRAGROLLE KPL. |
| 13 | 491700 | AKSEL F. BÆRERULLE Ø29.99 X 105 MM | SHAFT F/CARRYING ROLLER | WELLE F/TRAGROLLE |
| 14 | 14643000 | SEEGERRING UDV. Ø30 MM | CIRCLIP | SICHERUNGSRING |
| 15 | 15112900 | SPORKUGLELEJE ENRÆK. 6306-RS | STEP BALL BEARING 1-R. | SPURKUGELLAGER 1-REIH. |
| 16 | 2380400 | BÆRERULLE F. GUMMIKÆDE | SUP. ROLL F/RUB.CHAIN | TRAGROLLE F/GUMMIKETTE |
| 17 | 444686 | H. SIDEPLADE F. ELEVATOR | RH SIDE PLATE F. ELEV. | R. SEITENPLATTE F. ELE. |
| 18 | 444685 | V. SIDEPLADE F. ELEVATOR | LH SIDE PLATE F. ELEV. | L. SEITENPLATTE F. ELE. |
| 19 | 13841000 | SMØRENIPPEL LIGE MF8 X 1 MM | GREASE NIPPLE STRAIGHT | SCHMIERNIPPEL GERADE |
| 20 | 443567 | RONDEL Ø50/Ø21 X 6 MM | DISC | RUNDELL |
| 21 | 14431400 | LÅSEMØTRIK M20 | LOCK NUT | GEGENMUTTER |
| 22 | 444664 | NEDERSTE ELEVATORRAMME | BOTTOM ELEV.FRAME | UNTERE ELEVATORRAHMEN |
| 23 | 444701 | BÆRERULLE MED KRAVE KPL. | CARRYING ROLLER CPL. | TRAGROLLE KPL. |
| 24 | 471655 | BÆRERULLE M/TENDER KPL. | SUPP. ROLL W/TEETH CPL. | TRAGROLLE M/ZAEHN. KPL |
| 25 | 444681 | H. SKÆRM F. ELEVATOR | RH GUARD F. ELEVATOR | R. SCHIRM F. ELEVATOR |
| 26 | 444682 | V. SKÆRM F. ELEVATOR | LH GUARD F. ELEVATOR | L. SCHIRM F. ELEVATOR |
| 27 | 444679 | NEDERSTE HØJRE SKÆRM | LOW RH GUARD | UNTERER R. SCHIRM |
| 28 | 444680 | NEDERSTE VENSTRE SKÆRM | LOW LH GUARD | UNTERER L. SCHIRM |
| 29 | 444691 | STOR SPILDBAKKE | LARGE SPILL TRAY | GROSSER ABFALLSAMMLER |
| 30 | 444906 | AKSEL F. SPILDBAKKE Ø19 X 950 MM | SHAFT F. SPILL TRAY | WELLE F. ABFALLSAMMLER |
| 31 | 14538500 | TRAKTORSPLIT Ø6 MM | LINCH PIN | SICHERUNGSSPLINT |
| 32 | 14440800 | SVÆR SKIVE 21 X 37 X 3 MM | WASHER | SCHEIBE |
| 33 | 14159700 | TAPSETSKRUE GROV M10 X 20 MM | STUD SET SCREW | ZAPFSETZSCHRAUBE |
| 34 | 471853 | AKSEL F. BÆRERULLE Ø30 X 118 MM | SHAFT F/CARR. ROLLER | WELLE F/TRAGROLLE |
| 35 | 13326400 | SIMMERRING 30 X 52 X 8 MM | OIL SEAL | OELFANGRING |
| 36 | 420227 | BÆRERULLE MED KRAVE | CARRYING ROLLER W/COLL. | TRAGROLLE M/HALS |
| 37 | 471851 | BÆRERULLE MED TENDER | CARR. ROLLER W/TEETH | TRAGROLLE MIT ZAEHNE |
| 38 | 15112300 | SPORKUGLELEJE ENRÆK. 6205-RS | STEP BALL BEARING 1-R. | SPURKUGELLAGER 1-REIH. |
| 39 | 13272013 | NAVKAPSEL | HUB CAP | NABKAPSEL |



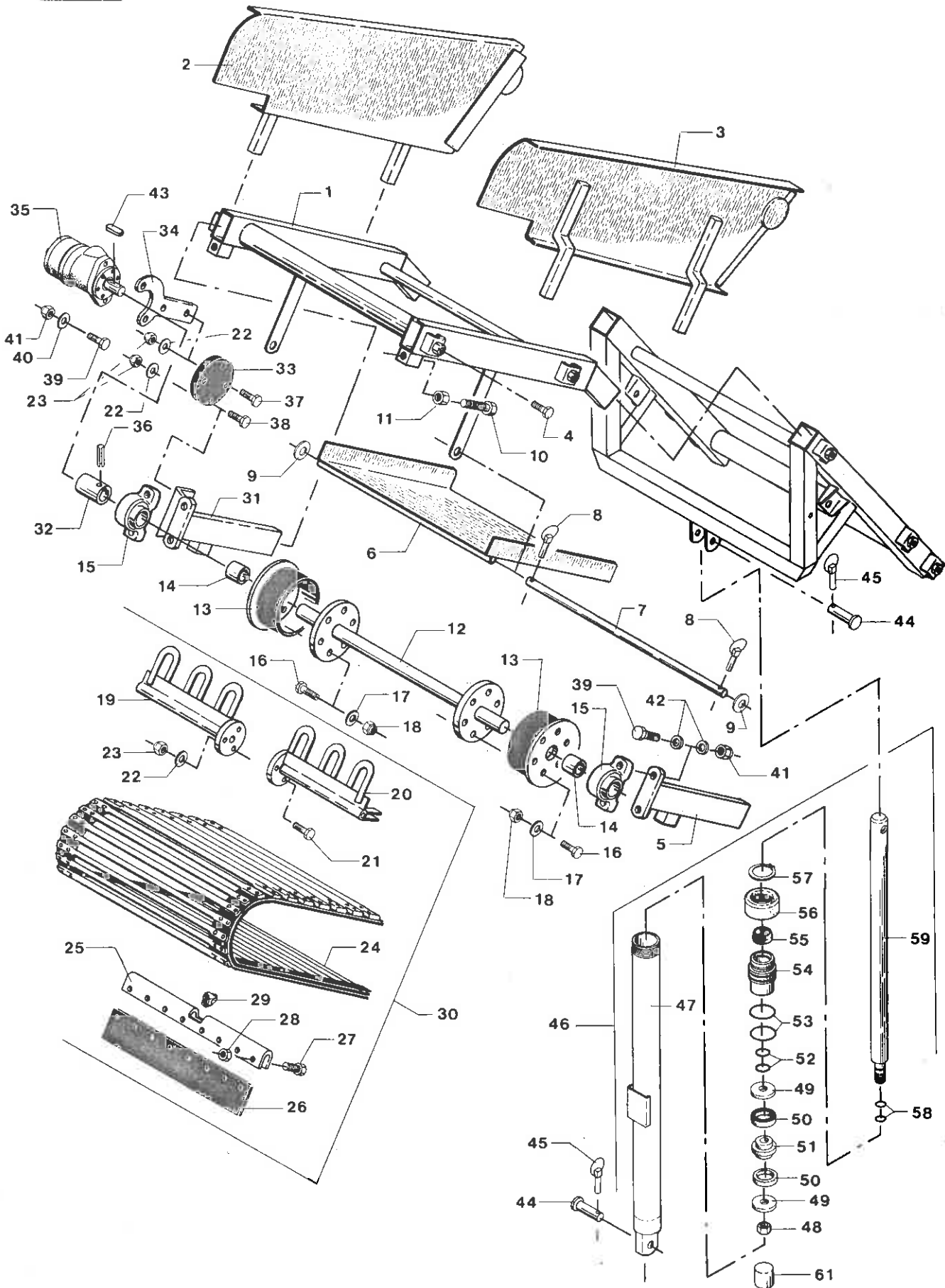
MIISA TE105 KRB/S 311 RE



| | Elevatortop + løftecylinder | Elevator top + lift ram | Ele.-überteil + Hubzylinder | |
|----|-----------------------------|------------------------------------|-----------------------------|--------------------------|
| 1 | 444719 | Ø. ELEVATORRAMME - LANG | TOP ELEVATOR FRAME, LONG | OBERER ELE.-RAHMEN, LANG |
| 2 | 445117 | H. ØVERSTE SKERM - LANG | RH TOP GUARD, LONG | R. OBERSCHIRM, LANG |
| 3 | 445116 | V. ØVERSTE SKERM - LANG | LH TOP GUARD, LONG | L. OBERSCHIRM, LANG |
| 4 | 14159700 | TAPSETSKRUE GROV M10 X 20 MM | STUD SET SCREW | ZAPFSETZSCHRAUBE |
| 5 | 444824 | BÅNDSTRAMMER | BELT TIGHTENER | BANDSPANNER |
| 6 | 445219 | LILLE SPILDBAKKE L=750 MM | SMALL SPILL TRAY | KLEINER ABFALLSAMMLER |
| 7 | 444907 | AKSEL F. SPILDBAKKE Ø19 X 875 MM | SHAFT F. SPILL TRAY | WELLE F. ABFALLSAMMLER |
| 8 | 14538500 | TRAKTORSPLIT Ø6 MM | LINCH PIN | SICHERUNGSSPLINT |
| 9 | 14440800 | SVÆR SKIVE 21 X 37 X 3 MM | WASHER | SCHEIBE |
| 10 | 14093500 | SETSKRUE GROV M16 X 130 MM | SET SCREW | SETZSCHRAUBE |
| 11 | 14411100 | MØTRIK M16 | NUT | MUTTER |
| 12 | 445176 | TOPAKSEL Ø35 X 965 MM | TOP SHAFT | OBERWELLE |
| 13 | 471660 | TOPRULLE M/BELÆGNING | TOP ROLL W/COATING | OBERROLLE M/VERKLEIDUNG |
| 14 | 444903 | AFSTANDSBØSNING Ø40 X 2 X 40 MM | DISTANCE BUSH | ABSTANDBUCHSE |
| 15 | 15168900 | STÅLEJE SY 35 TF | PEDESTAL BEARING | STEHLAGER |
| 16 | 14089900 | SETSKRUE GROV M12 X 40 MM | SET SCREW | SETZSCHRAUBE |
| 17 | 14440500 | SVÆR SKIVE 13 X 24 X 2.5 MM | WASHER | SCHEIBE |
| 18 | 14430700 | LÅSEMØTRIK M12 | LOCK NUT | GEGENMUTTER |
| 19 | 444667 | HØJRE MEDBRINGER | RH CARRIER | R. MITNEHMER |
| 20 | 444668 | VENSTRE MEDBRINGER | LH CARRIER | L. MITNEHMER |
| 21 | 14087600 | SETSKRUE GROV M10 X 30 MM | SET SCREW | SETZSCHRAUBE |
| 22 | 14440400 | SVÆR SKIVE 10.5 X 21 X 2 MM | WASHER | SCHEIBE |
| 23 | 14430500 | LÅSEMØTRIK M10 | LOCK NUT | GEGENMUTTER |
| 24 | 17819087 | GUMMIKÆDE B=750 MM L=7540 MM | RUBBER CHAIN | GUMMIKETTE |
| 24 | 502258 | REP. SÆT BÅND, BR. 750 MM | REP. KIT F/BELT | REPARATURSATZ F/BAND |
| 25 | 445183 | HOLDEBESLAG FOR GUMMILAP 2X100X550 | BRACKET F. RUBBER LAP | HALTBESCHL. F/GUMMILAP. |
| 26 | 2380010 | GUMMISKERM 550 X 110 X 10 MM | RUBBER GUARD | GUMMISCHIRM |
| 27 | 14083900 | SETSKRUE GROV M6 X 20 MM | SET SCREW | SETZSCHRAUBE |
| 28 | 14430100 | LÅSEMØTRIK M6 | LOCK NUT | GEGENMUTTER |
| 29 | 14847300 | WIRELÅS FZB 7/16" | WIRE LOCK | DRAHTSEILSCHLOSS |
| 30 | 444728 | BÅND M/18 MEDBR. KPL. B=750 L=7450 | BELT W/18 CARRIERS CPL | BAND M/18 MITNEHM. KPL |
| 31 | 445177 | H. BÅNDSTRAMMER | RH BELT TIGHTENER | R. BANDSPANNER |
| 32 | 444894 | BØSNING F. HYDR. MOTOR | BUSH F. OIL MOTOR | BUCHSE F. OELMOTOR |
| 33 | 471676 | KOBLINGSSKIVE | CLUTCH DISK | KUPPLUNGSSCHEIBE |
| 34 | 445001 | GAFFELBESLAG F. HYDR. MOTOR | CLEVIS PIT. F/OIL MOTOR | GABELBESCHL. F/HYD.MOTOR |
| 35 | 13718700 | OLIE MOTOR OMR 160 | OIL MOTOR | OELMOTOR |
| 35 | 13719900 | PAKNINGSSÆT ALLE OMR | PACKING SET | DICHTSATZ |
| 36 | 14087900 | SETSKRUE GROV M10 X 45 MM | SET SCREW | SETZSCHRAUBE |
| 38 | 14087800 | SETSKRUE GROV M10 X 40 MM | SET SCREW | SETZSCHRAUBE |
| 39 | 14090000 | SETSKRUE GROV M12 X 45 MM | SET SCREW | SETZSCHRAUBE |
| 40 | 14440500 | SVÆR SKIVE 13 X 24 X 2.5 MM | WASHER | SCHEIBE |
| 41 | 14430700 | LÅSEMØTRIK M12 | LOCK NUT | GEGENMUTTER |
| 42 | 14453000 | SVÆR SKIVE 1/2" | WASHER | SCHEIBE |
| 43 | 14607400 | PASFEDER 8 X 7 X 32 MM | KEY | PASSFEDER |
| 44 | 471280 | NAGLE F. STJÆRTCYL. Ø19/10 X 72 MM | LONG PIN F/TAI L RAM | NAGEL LANG F/DEICH.ZYL. |
| 45 | 14538700 | TRAKTORSPLIT Ø8 MM | LINCH PIN | SICHERUNGSSPLINT |
| 46 | 490293 | CYLINDER D65/40 - 1050/1308 | CYLINDER | ZYLINDER |
| 46 | 491394 | PAKNINGSSÆT Ø65 DOBB. U. CYL. | GASKET SET | DICHTSATZ |
| 47 | 445213 | CYLINDERRØR Ø75/65 X 700 MM | CYLINDER TUBE CPL. | ZYLINDERROHR KPL. |
| 48 | 14408610 | STÅLMØTRIK UNF 1" | STEEL NUT | STAHLMUTTER |
| 49 | 443490 | SKIVE Ø64/Ø25.5 X 6 MM | DISC | SCHÉIBE |
| 50 | 13345000 | NUTRING 40 X 65 X 12 MM | OIL SEAL | MANSCHE |
| 51 | 350211 | MANCHETHOLDER DOB. Ø65 | SLEEVE HOLDER DOUBLE | HALTER F/MANSCH. DOPPEL |



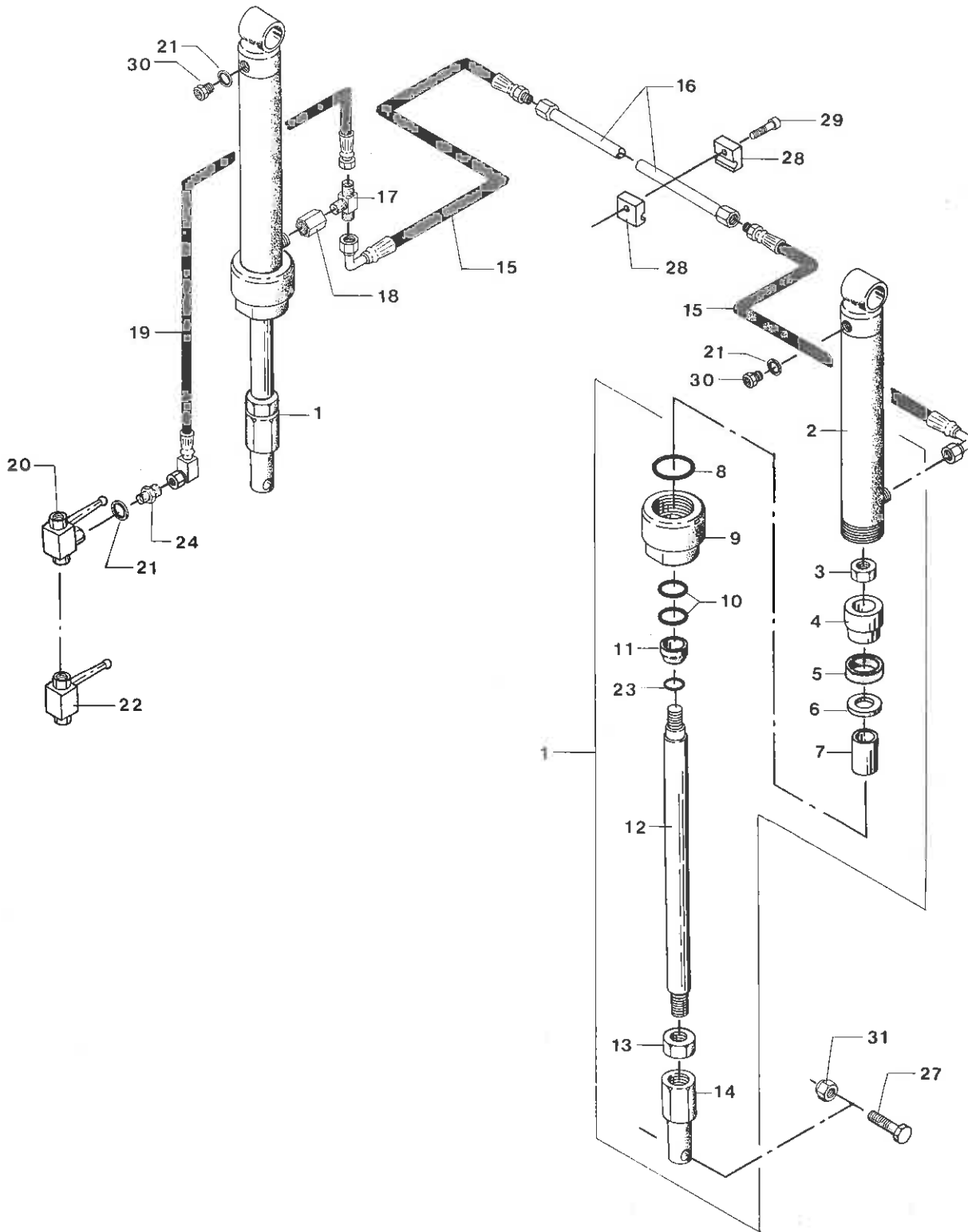
MIISA TE105 KRB/S 311 RE



| | | | |
|-------------|-------------------------------------|-----------------|-----------------|
| 52 13314900 | O-RING Ø39.69 X 3.53 MM | O-RING | O-RING |
| 53 13316000 | O-RING Ø53.34 X 5.33 MM | O-RING | O-RING |
| 54 491633 | STEMPELSTYR F. Ø65 RØR | PISTON GUIDE | KOLBENFUEHRUNG |
| 55 13387500 | AFSTRYGER 40 X 50 X 7/10 MM | WIPER | ABSTREIFER |
| 56 491634 | TOPMØTRIK Ø100/Ø50 X 44 MM | TOP NUT | KOPFMUTTER |
| 57 14652600 | SEEGERRING UDV. Ø60 MM | CIRCLIP | SICHERUNGSRING |
| 58 13312000 | O-RING Ø19.2 X 3 MM | O-RING | O-RING |
| 59 490889 | STEMPELSTANG Ø40 X 795 MM | PISTON ROD | KOLBENSTANGE |
| 61 490890 | STOP FOR CYLINDER Ø48.3 X 2.6 X 248 | STOP F/CYLINDER | HALT F/ZYLINDER |



MIISA TE105 KRB/S 311 RE

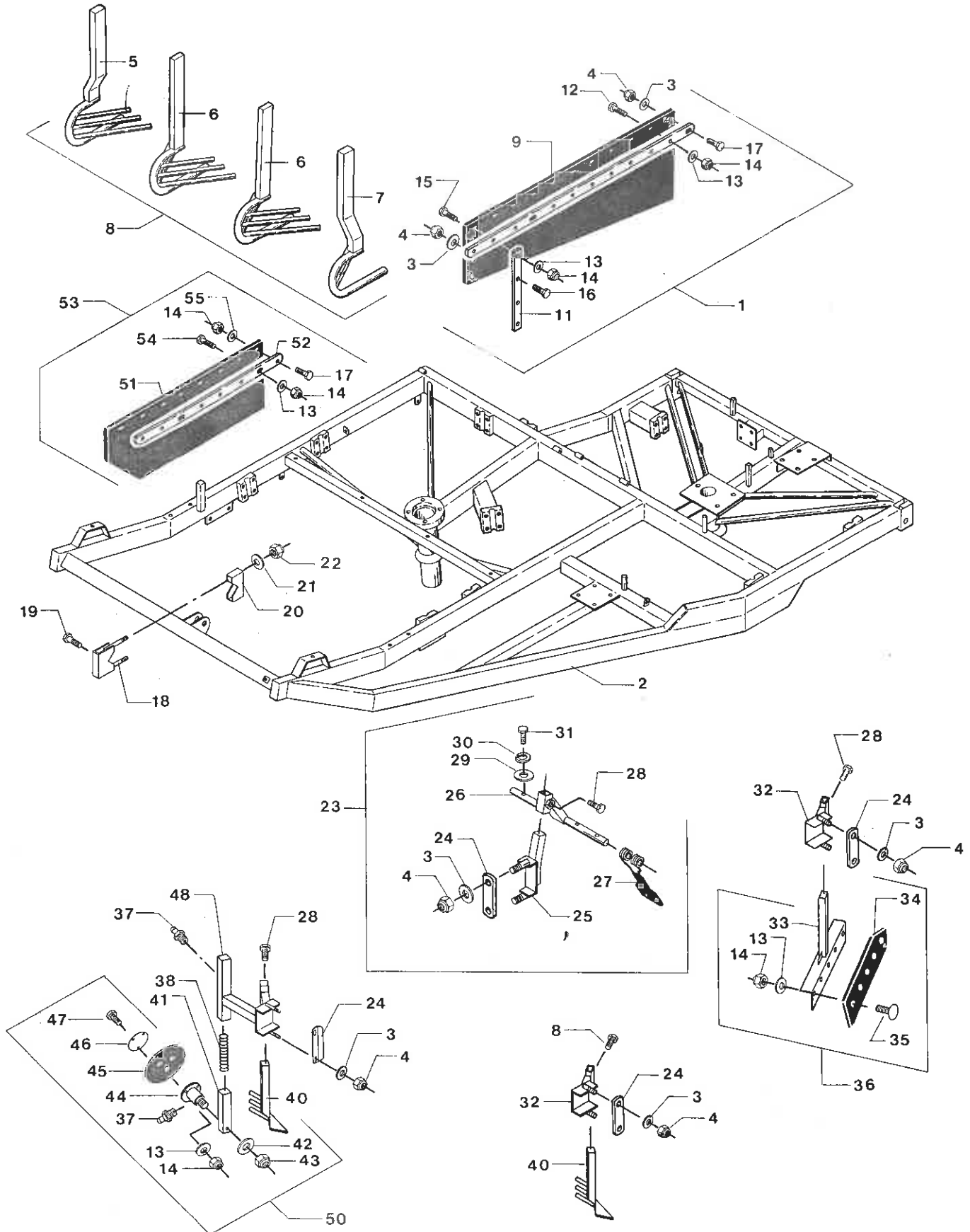


Reguleringscylinder f/holl. ba Adj. ram f/Dutch rear Regulierzyl. f/Holl.-Hi.

| | | | |
|-------------|--------------------------------------|-------------------------|----------------------|
| 1 444729 | CYLINDER KPL. E/42/30-625/770 | CYLINDER CPL | ZYLINDER KPL |
| 1 350523 | PAKNINGSSÆT E42/30 | GASKET SET | DICHTSATZ |
| 2 445135 | CYLINDERRØR KPL. | CYLINDER TUBE CPL. | ZYLINDERROHR KPL. |
| 3 14413310 | MØTRIK MF20 X 1 MM | NUT | MUTTER |
| 4 351519 | MANCETHOLDER - ENK. Ø42/Ø20 X 30MM | SLEEVE HOLDER | HALTER F/MANSCHETTE |
| 5 13345100 | NUTRING 42 X 30 X 10 MM | OIL SEAL | MANSCHETTE |
| 6 443762 | SKIVE FOR Ø42 CYL. | DISC | SCHEIBE |
| 7 351513 | STOPRING Ø35/Ø31 X 50 MM | STOP RING | HALTERING |
| 8 13315600 | O-RING Ø49.2 X 5.7 MM | O-RING | O-RING |
| 9 491592 | TOPMØTRIK Ø50 | TOP NUT | KOPFMUTTER |
| 10 13314000 | O-RING Ø29.75 X 3.53 MM | O-RING | O-RING |
| 11 13387000 | AFSTRYGGER 30 X 40 X 7/10 MM | WIPER | ABSTREIFER |
| 12 445136 | STEMPELSTANG Ø30 X 589 MM | PISTON ROD | KOLBENSTANGE |
| 13 14408610 | STÅLMØTRIK UNF 1" | STEEL NUT | STAHLMUTTER |
| 14 445137 | STEMPELHOVED NV36 X 150 MM | PISTON HEAD | KOLBENKOPF |
| 15 13508355 | HYDR. SLANGE Ø1/4" X 550 MM | HYDR. HOSE | HYDR. SCHLAUCH |
| 16 445148 | HYDR. RØR Ø10 X 580 MM | HYDR. PIPE | HYDR. ROHR |
| 17 13410800 | HYD. T-STYKKE 1/4" X 1/4" X 1/4" BSP | HYDR. T-PIECE | HYDR. T-STUECK |
| 18 13416200 | HYDR. MUFFE 1/4" BSP | HYD. STRAIGHT CONNECTOR | HYDR. ANSCHLUSS |
| 19 13509050 | HYDR. SLANGE Ø1/4" X 500 MM | HYDR. HOSE | HYDR. SCHLAUCH |
| 20 13736400 | 3-VEJS KUGLEHANE 1/2" BSP INDV. | BALL COCK/INS. THR | KUGELHAHN/INNENGEW. |
| 21 13257000 | PAKNINGSRING Ø1/4" (13.7X20.6X2.1) | SEAL RING | DICHTRING |
| 22 13736100 | KUGLEHANE INDV. 1/4" BSP | BALL COCK/INS. THR. | KUGELHAHN/INNENGEW. |
| 23 13311400 | O-RING Ø15.3 X 2.4 MM | O-RING | O-RING |
| 24 13427500 | HYDR. BRYSTNIPPEL 1/2" X 1/4" BSP | HYDR. ADAPTOR | HYDR. REDUZIERNIPPEL |
| 27 14091010 | SÆTSKRUE GROV M12 X 110 MM | SET SCREW | SETZSCHRAUBE |
| 28 13481002 | HALVPART F. RØRHOLDER 10 MM | PIPE HOLDER HALF | ROHRHALTER-HALBTEIL |
| 29 14255300 | UNBRACO MC 6 X 25 MM | UNBRACO SCREW | UNBRACOSCHRAUBE |
| 30 13739200 | LUFTSKRUE 1/4" BSP | AIR SCREW | LUFTSCHRAUBE |
| 31 14430700 | LÅSEMØTRIK M12 | LOCK NUT | GEGENMUTTER |



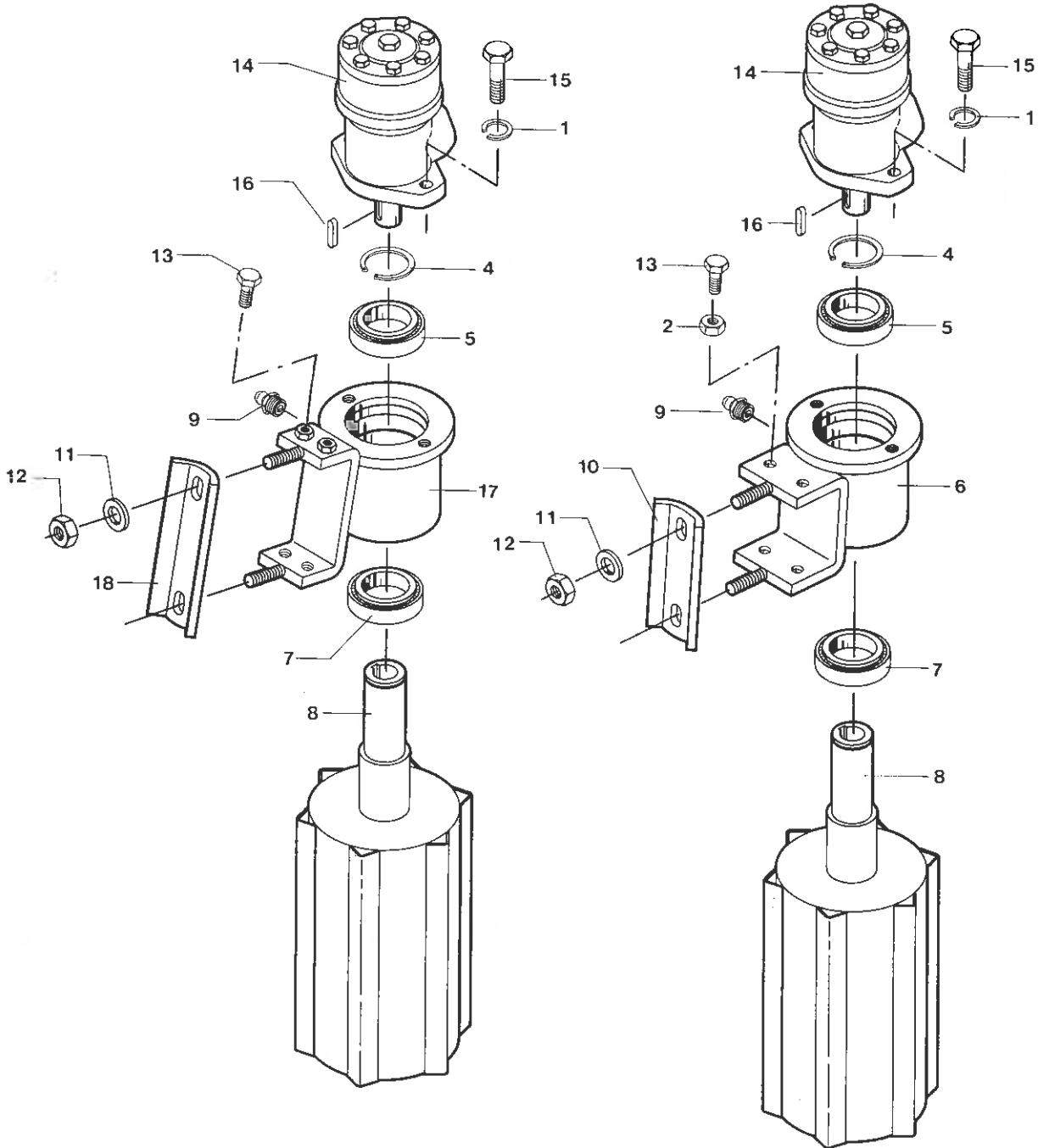
MIISA TE105 KRB/S 311 RE



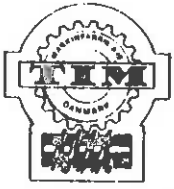
| Beslag i undermaskine | Fitting, undermachine | Beschlag, Untermaschine |
|-----------------------|-----------------------------------|--------------------------|
| 1 473036 | H. GUMMISKÆRM KPL. | RH RUBBER GUARD CPL |
| 2 490888 | UNDERMASKINE KRB/S-311RE | UNDERMACHINE |
| 3 14482800 | SPEC. SKIVE 35 X 8.5 X 3 MM | SPECIAL WASHER |
| 4 14430700 | LÅSEMØTRIK M12 | LOCK NUT |
| 5 490098 | INDFØRINGSJERN HØJRE | FEEDING IRON RH |
| 6 490097 | INDFØRINGSJERN MIDT. | FEEDING IRON MIDDLE |
| 7 490099 | INDFØRINGSJERN VENSTRE | FEEDING IRON LH |
| 8 492740 | INDFØRINGSJERN SÆT MIISI | FEEDING IRON SET |
| 9 2380014 | GUMMISKÆRM 1600 X 400 X 6 MM | RUBBER GUARD |
| 10 477095 | BESLAG FOR GUMMI | MOUNTING F/RUBBER |
| 11 491759 | BESLAG F/GUMMI | CLAMP F/RUBBER |
| 12 14085500 | SETS KRUE GROV M8 X 25 MM | SET SCREW |
| 13 14450100 | LET SKIVE 1/4" | WASHER |
| 14 14430300 | LÅSEMØTRIK M8 | LOCK NUT |
| 15 14085600 | SETS KRUE GROV M8 X 30 MM | SET SCREW |
| 16 14089900 | SETS KRUE GROV M12 X 40 MM | SET SCREW |
| 17 14090000 | SETS KRUE GROV M12 X 45 MM | SET SCREW |
| 18 471220 | SPENDEBESLAG F. H+V LEDESKINNE | CLAMP F/LH+RH GUIDE BAR |
| 19 14164200 | TAPSETS KRUE GROV M20 X 40 MM | STUD SET SCREW |
| 20 471219 | FORRESTE SPENDEBESLAG | FRONT CLAMP |
| 21 14440900 | SVER SKIVE 23 X 37 X 3 MM | WASHER |
| 22 14431400 | LÅSEMØTRIK M20 | LOCK NUT |
| 23 501211 | ROEBREMSE -89 | BEEET BRAKE 1989 AND OLD |
| 24 491579 | BESLAG 8 X 65 X 180 MM | CLAMP |
| 25 444504 | HOLDER FOR ROELEDER | HOLDER F. BEET GUIDE |
| 26 501227 | ARM F. ROEBREMSE | ARM F/BEET CHECK |
| 27 17868800 | GUMMIDASKER M. FJEDER | RUBBER PADDLE W/SPRING |
| 28 14162400 | TAPSETS KRUE GROV M16 X 35 MM | STUD SET SCREW |
| 29 14440500 | SVER SKIVE 13 X 24 X 2.5 MM | WASHER |
| 30 14462700 | CENTERFJEDERSKIVE M12 | SPRING WASHER |
| 31 14089700 | SETS KRUE GROV M12 X 30 MM | SET SCREW |
| 32 491026 | SPENDEBESLAG F. GUMMISKÆRM | RUBBER GUARD CLAMP |
| 33 491340 | HOLDER F. GUMMISKÆRM | RUBBER GUARD HOLDER |
| 34 2380007 | GUMMISKÆRM 695 X 230 X 20 MM | RUBBER GUARD |
| 35 14322000 | BREDEBOLT M8 X 35 MM | CARRIAGE BOLT |
| 36 491416 | BAGESTE GUMMISKÆRM KPL. | REAR RUBBER GUARD CPL |
| 37 13840800 | SMØRENIPPEL LIGE M6 X 1 MM | GREASE NIPPLE STRAIGHT |
| 39 14774000 | TRYKFJEDER Ø3 X Ø26.5 X 160 MM | COMPRESSION SPRING |
| 40 491339 | AFSKRABER V/KEGLE | SCRAPER BY CONE |
| 41 491629 | TAP F. OPSTANDER 30 X 30 X 250 MM | STUD F. UPRIGHT |
| 42 14440600 | SVER SKIVE 17 X 30 X 3 MM | WASHER |
| 43 14431000 | LÅSEMØTRIK M16 | LOCK NUT |
| 44 492743 | NAV KPL. F. RENSERULLE | HUB CPL F/CLEANING ROLL |
| 45 2380300 | GUMMISKIVE | RUBBER DISC |
| 46 492930 | RONDEL FOR GUMMIRULLE | CIRC. BLANK F/RUB. ROLL |
| 47 14085800 | SETS KRUE GROV M8 X 40 MM | SET SCREW |
| 48 477132 | SPENDEBESLAG FORREST | FRONT CLAMP |
| 50 491360 | RENSERULLE M. NAV OG OPSTANDER | CLEAN. ROLL W/HUB+UPR. |
| 51 2380015 | GUMMISKÆRM 930 X 540 X 6 MM | RUBBER GUARD |
| 52 477097 | BESLAG FOR GUMMI 5 X 40 X 900 MM | MOUNTING F/RUBBER |
| 53 490734 | GUMMISKÆRM KPL. | RUBBER GUARD CPL |
| 54 14085900 | SETS KRUE M8 X 45 MM | SET SCREW |
| 55 14482800 | SPEC. SKIVE 35 X 8.5 X 3 MM | SPECIAL WASHER |
| | | R. GUMMISCHIRM KPL |
| | | UNTERMASCHINE |
| | | SPEZIALSCHEIBE |
| | | GEGENMUTTER |
| | | EINFUHREISEN RECHTS |
| | | EINFUHREISEN MITTE |
| | | EINFUHREISEN LINKS |
| | | EINFÜHRUNGSEISEN SATZ |
| | | GUMMISCHIRM |
| | | BESCHLAG F/GUMMI |
| | | BESCHLAG F/GUMMI |
| | | SETZSCHRAUBE |
| | | SCHÉIBE |
| | | GEGENMUTTER |
| | | SETZSCHRAUBE |
| | | SETZSCHRAUBE |
| | | SETZSCHRAUBE |
| | | SPANNBESCHL./LEITSCHIE. |
| | | ZAPFSETZSCHRAUBE |
| | | VORD. SPANNBESCHLAG |
| | | SCHÉIBE |
| | | GEGENMUTTER |
| | | RÜBENBREMSE 1989 UND FR |
| | | BESCHLAG |
| | | HALTER F/RUEBENLEITER |
| | | ARM F/RUEBENBREMSE |
| | | GUMMIPADDEL M/FEDER |
| | | ZAPFSETZSCHRAUBE |
| | | SCHÉIBE |
| | | FEDERSCHÉIBE |
| | | SETZSCHRAUBE |
| | | SPANNBESCHLAG/GUM.SCHI. |
| | | HALTER F/GUMMISCHIRM |
| | | GUMMISCHIRM |
| | | BÖLZEN |
| | | HINT. GUMMISCHIRM KPL |
| | | SCHMIERNIPPEL GERADE |
| | | DRUCKFEDER |
| | | ABSTREIFER A/KEGEL |
| | | ZAPPEN F. STAENDER |
| | | SCHÉIBE |
| | | GEGENMUTTER |
| | | NABE KPL F/REINIG.ROLLE |
| | | GUMMISCHÉIBE |
| | | RUNDELL F/GUMMIROLLE |
| | | SETZSCHRAUBE |
| | | VORD. SPANNBESCHLAG |
| | | REIN.-ROLLE M/NABE+STAE |
| | | GUMMISCHIRM |
| | | BESCHLAG F/GUMMI |
| | | GUMMISCHIRM KPL. |
| | | SETZSCHRAUBE |
| | | SPEZIALSCHEIBE |



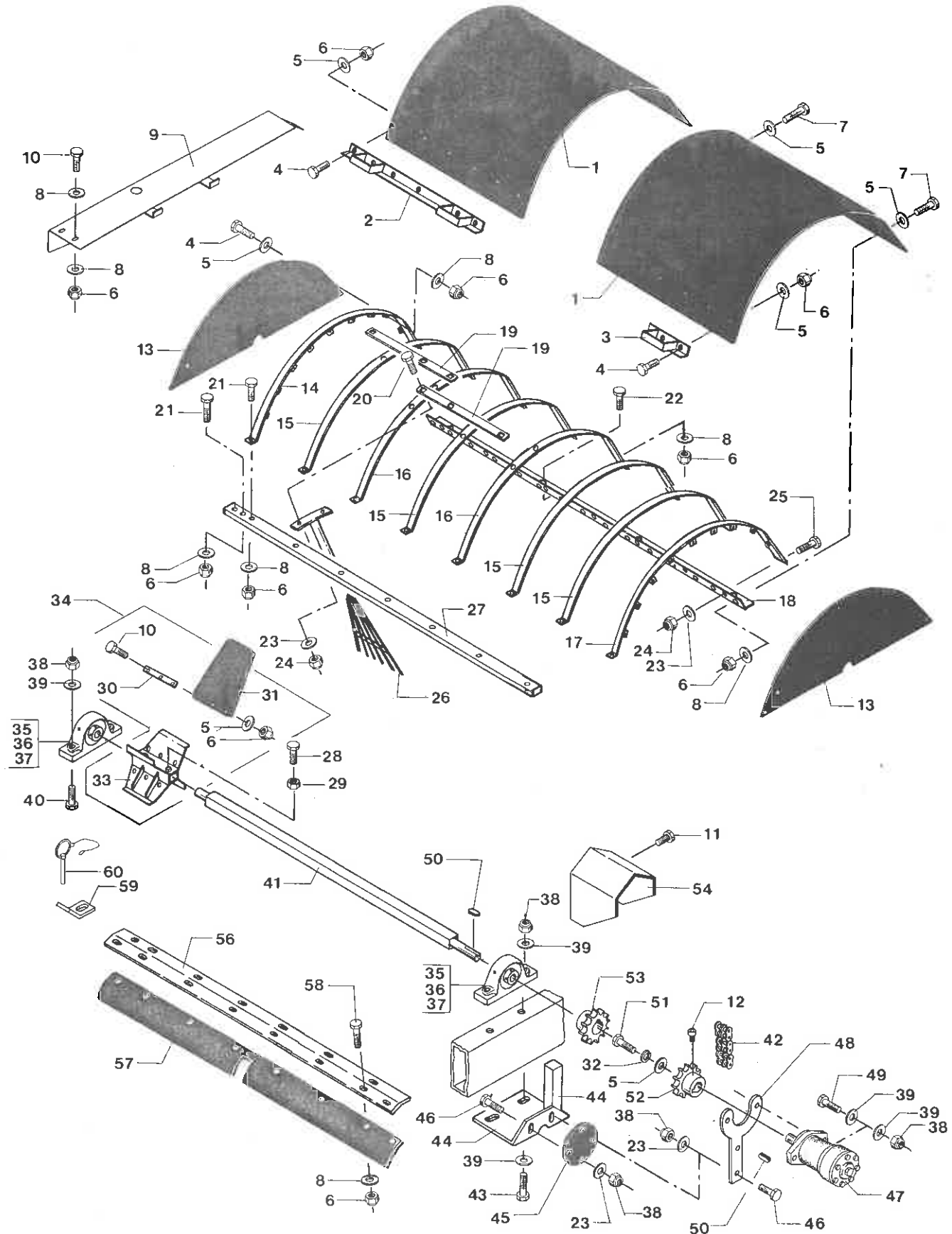
MIISA TE105 KRB/S 311 RE



| | Tromler i undermaskine | Drum f/undermachine | Trommel f/Untermaschine | |
|----|------------------------|-------------------------------|-------------------------|------------------------|
| 1 | 14462700 | CENTERFJEDERSKIVE M12 | SPRING WASHER | FEDERSCHEIBE |
| 2 | 14410700 | MØTRIK M12 | NUT | MUTTER |
| 4 | 14644000 | SEEGERING UDV. Ø 40 MM | CIRCLIP | SICHERUNGSRING |
| 5 | 15112400 | SPORKUGLELEJE ENRÆK. 6208-2RS | STEP BALL BEARING 1-R. | SPURKUGELLAGER 1-REIH. |
| 6 | 493277 | LEJEHUS | BEARING HOUSING | LAGERGEHAEUSE |
| 7 | 15112201 | SPORKUGLELEJE ENRÆK. 6208-RS | STEP BALL BEARING 1-R. | SPORKUGELLAGER 1-REIH. |
| 8 | 419066 | HYDR. TROMLE F. HJØRNE | HYDR. CORNER DRUM | HYDR. ECKTROMMEL |
| 9 | 13841000 | SMØRENIPPEL LIGE MF8 X 1 MM | GREASE NIPPLE STRAIGHT | SCHMIERNIPPEL GERADE |
| 10 | 491081 | BESLAG 8 X 65 X 150 MM | FITTING | BESCHLAG |
| 11 | 14453000 | SVÆR SKIVE 1/2" | WASHER | SCHEIBE |
| 12 | 14430700 | LÅSEMØTRIK M12 | LOCK NUT | GENENMUTTER |
| 13 | 14160600 | TAPSÆTSKRUE GROV M12 X 35 MM | STUD SET SCREW | ZAPFSETZSCHRAUBE |
| 14 | 13718900 | OLIEMOTOR OMP 200 | OIL MOTOR | OELMOTOR |
| 14 | 13719800 | PAKNINGSSET ALLE OMP | PACKING SET | DICHTSATZ |
| 15 | 14089700 | SÆTSKRUE GROV M12 X 30 MM | SET SCREW | SETZSCHRAUBE |
| 16 | 14607400 | PASFEDER 8 X 7 X 32 MM | KEY | PASSFEDER |
| 17 | 492596 | BESLAG FOR TROMLE | MOUNTING F/DRUM | BESCHLAG F/TROMMEL |
| 18 | 491579 | BESLAG 8 X 65 X 180 MM | CLAMP | BESCHLAG |



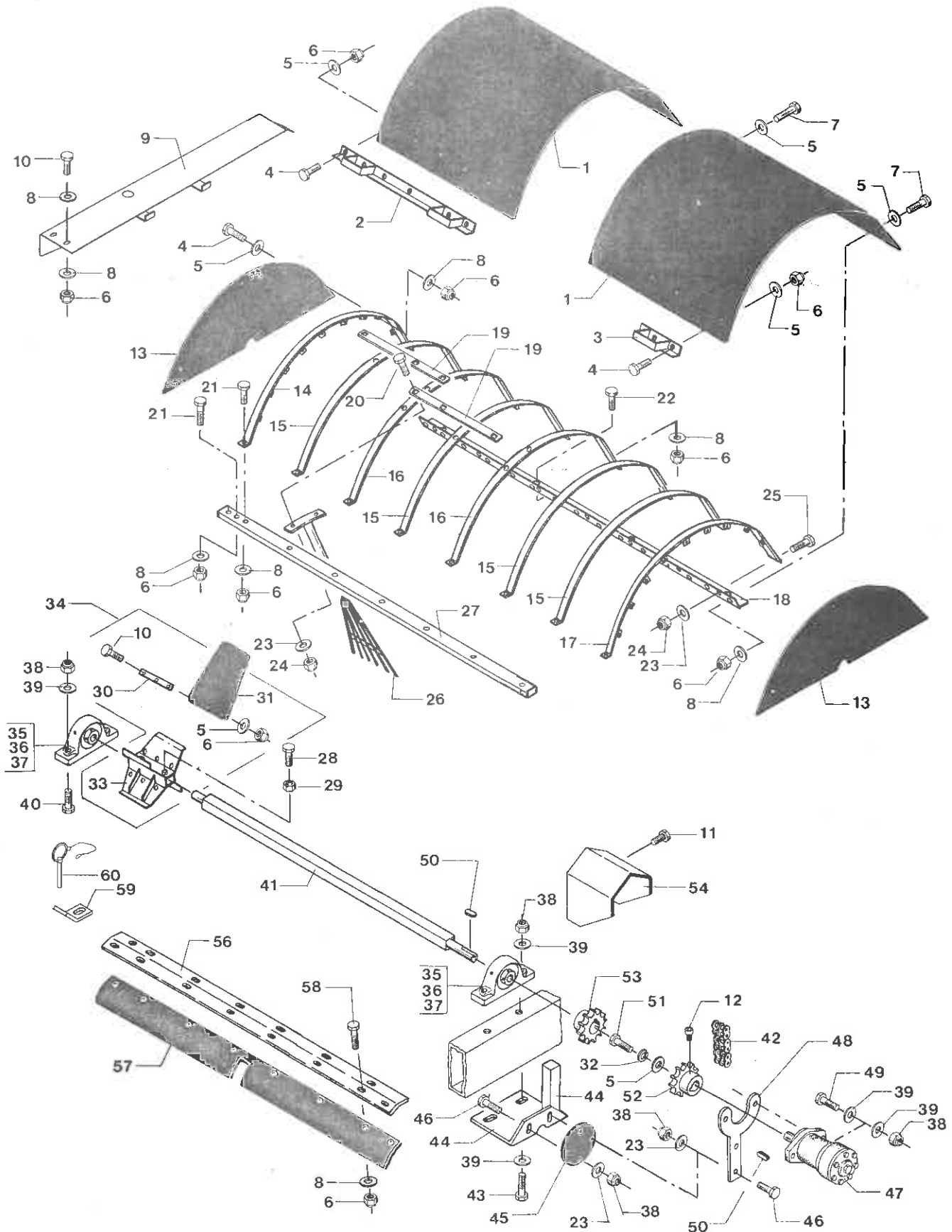
MIISA TE105 KRB/S 311 RE



| | Gummidaskere + afdækning | Rubber paddles + cover | Gummipaddel + Abschirm. |
|----|--|-------------------------|-------------------------|
| 1 | 2380006 GUMMISKÆRM 1310 X 820 X 6 MM | RUBBER GUARD | GUMMISCHIRM |
| 2 | 491344 HÅNDTAG F. GUMMISKÆRM | RUBBER GUARD HANDLE | HANDGRIFF F/GUM.SCHIRM |
| 3 | 493807 HÅNDTAG F. GUMMISKÆRM | HANDLE F/RUBBER GUARD | HANDGRIFF F/GUMMISCHIRM |
| 4 | 14085500 SÆTSKRUE GROV M8 X 25 MM | SET SCREW | SETZSCHRAUBE |
| 5 | 14482800 SPEC. SKIVE 35 X 8.5 X 3 MM | SPECIAL WASHER | SPEZIALSCHEIBE |
| 6 | 14430300 LÅSEMØTRIK M8 | LOCK NUT | GEGENMUTTER |
| 7 | 14085600 SÆTSKRUE GROV M8 X 30 MM | SET SCREW | SETZSCHRAUBE |
| 8 | 14442900 PLAN SKIVE 6.4 X 12.5 X 1.6 MM | FACE PLATE | PLANSCHIEBE |
| 9 | 493856 SKÆRM VED OPPELHJUL | GUARD B/LIFTING WHEEL | SCHIRM A/OPPELRAD |
| 10 | 14322200 BRØDDEBOLT M8 X 45 MM | CARRIAGE BOLT | BOLZEN |
| 11 | 14087600 SÆTSKRUE GROV M10 X 30 MM | SET SCREW | SETZSCHRAUBE |
| 12 | 14284400 UNBRACO MSP8 X 12 MM | UNBRACO SCREW | UNBRACOSCHRAUBE |
| 13 | 2380200 GUMMIENDESTYKKE | RUBBER END PIECE | GUMMIENDSTÜCK |
| 14 | 491337 BÆREJERN HØJRE | SUPPORT RH | TRAGEISEN RECHTS |
| 15 | 491568 BÆREJERN MIDT. | MIDDLE CARRYING IRON | TRAGEISEN MITTE |
| 16 | 493681 BÆREJERN M/HULLER F. RIST | CARR.IRON W/HO. F/GRATE | TRAGEISEN M/LOE. F/ROST |
| 17 | 491338 BÆREJERN VENSTRE | SUPPORT LH | TRAGEISEN LINKS |
| 18 | 493443 BÆREPLADE | CARRYING PLATE | TRAGPLATTE |
| 19 | 491762 BESLAG FOR BÆREJERN | MOUNTING BRACKET | BESCHLAG TRAGBALLEN |
| 20 | 14323900 BRØDDEBOLT M10 X 35 MM | CARRIAGE BOLT | BOLZEN |
| 21 | 14085900 SÆTSKRUE M8 X 45 MM | SET SCREW | SETZSCHRAUBE |
| 22 | 14043200 MASKINBOLT GROV M8 X 80 MM | BOLT | BOLZEN |
| 23 | 14440400 SVÆR SKIVE 10.5 X 21 X 2 MM | WASHER | SCHEIBE |
| 24 | 14430500 LÅSEMØTRIK M10 | LOCK NUT | GEGENMUTTER |
| 25 | 14087600 SÆTSKRUE GROV M10 X 30 MM | SET SCREW | SETZSCHRAUBE |
| 26 | 493454 LØS RIST MELLEM OPPELHJUL | MOVABLE GRATE B/LI.WH. | ABNEHMB. ROST ZW/OPPEL |
| 27 | 491499 BÆREBJÆLKE FOR GUMMI (GB-D) | BRACKET F/RUBBER(GB-D) | TRAGBALLEN GUMMI(GB-D) |
| 28 | 14162400 TAPSÆTSKRUE GROV M16 X 35 MM | STUD SET SCREW | ZAPFSETZSCHRAUBE |
| 29 | 14411100 MØTRIK M16 | NUT | MUTTER |
| 30 | 491527 BESLAG FOR DASKER | PADDLE MOUNTING | PADDEL/BESCHLAG |
| 31 | 2380100 GUMMIDASKER | RUBBER PADDLE | GUMMIPADDEL |
| 32 | 14462500 CENTERFJEDERSKIVE M8 | SPRING WASHER | FEDERSCHIEBE |
| 33 | 491326 HOLDERØR M/PLADE | PADDLE SUPP. ASSEMBLY | HALTEROHR M/PLATTE |
| 34 | 491315 HOLDERØR M. GUMMIDASKERE KPL. | PADDLE ASSEMBLY CPL. | HALTEROHR M.GUM.PAD.KPL |
| 35 | 15106100 LEJEHUS F. STÅLEJE SY 507M | PEDEST. BEARING HOUSING | GEHÄUSE F/STEHLAGER |
| 36 | 15108000 LEJE F.FLANGE OG STÅLEJE YAR 207-2F | BEARING F/FLANGE+PED.B. | LAGER F/FL.+STEHLAGER |
| 37 | 15168900 STÅLEJE SY 35 TF | PEDESTAL BEARING | STEHLAGER |
| 38 | 14430700 LÅSEMØTRIK M12 | LOCK NUT | GEGENMUTTER |
| 39 | 14440500 SVÆR SKIVE 13 X 24 X 2.5 MM | WASHER | SCHEIBE |
| 40 | 14089900 SÆTSKRUE GROV M12 X 40 MM | SET SCREW | SETZSCHRAUBE |
| 41 | 493838 AKSEL F. DASKER 38 X 38 X 1615 MM | FLAP SHAFT | PADDELWELLE |
| 42 | 15221006 RULLEKÆDE DUP. 3/4"X7/16"X11L.210MM | ROLLER CHAIN 11 LINKS | ROLLENKETTE 11 GLIED |
| 43 | 14047000 MASKINBOLT GROV M12 X 120 MM | BOLT | BOLZEN |
| 44 | 419063 BESLAG F. OLIEMOTOR | FITTING F. OIL MOTOR | BESCHLAG F. OELMOTOR |
| 45 | 471676 KOBLINGSSKIVE | CLUTCH DISK | KUPPLUNGSSCHIEBE |
| 46 | 14087900 SÆTSKRUE GROV M10 X 45 MM | SET SCREW | SETZSCHRAUBE |
| 47 | 13718900 OLIEMOTOR OMP 200 | OIL MOTOR | OELMOTOR |
| 47 | 13719800 PAKNINGSSÆT ALLE OMP | PACKING SET | DICHTSATZ |
| 48 | 492979 BESLAG F. OLIEMOTOR | FITTING F. OIL MOTOR | BESCHLAG F. OELMOTOR |
| 49 | 14090000 SÆTSKRUE GROV M12 X 45 MM | SET SCREW | SETZSCHRAUBE |
| 50 | 14607400 PASFEDER 8 X 7 X 32 MM | KEY | PASSFEDER |
| 51 | 14256600 UNBRACO MC 8 X 20 MM | UNBRACO SCREW | UNBRACOSCHRAUBE |
| 52 | 471752 KÆDEHJUL 3/4" 12T Ø25 N8 | SPROCKET 12 TEETH | KETTENRAD 12 ZAHN |



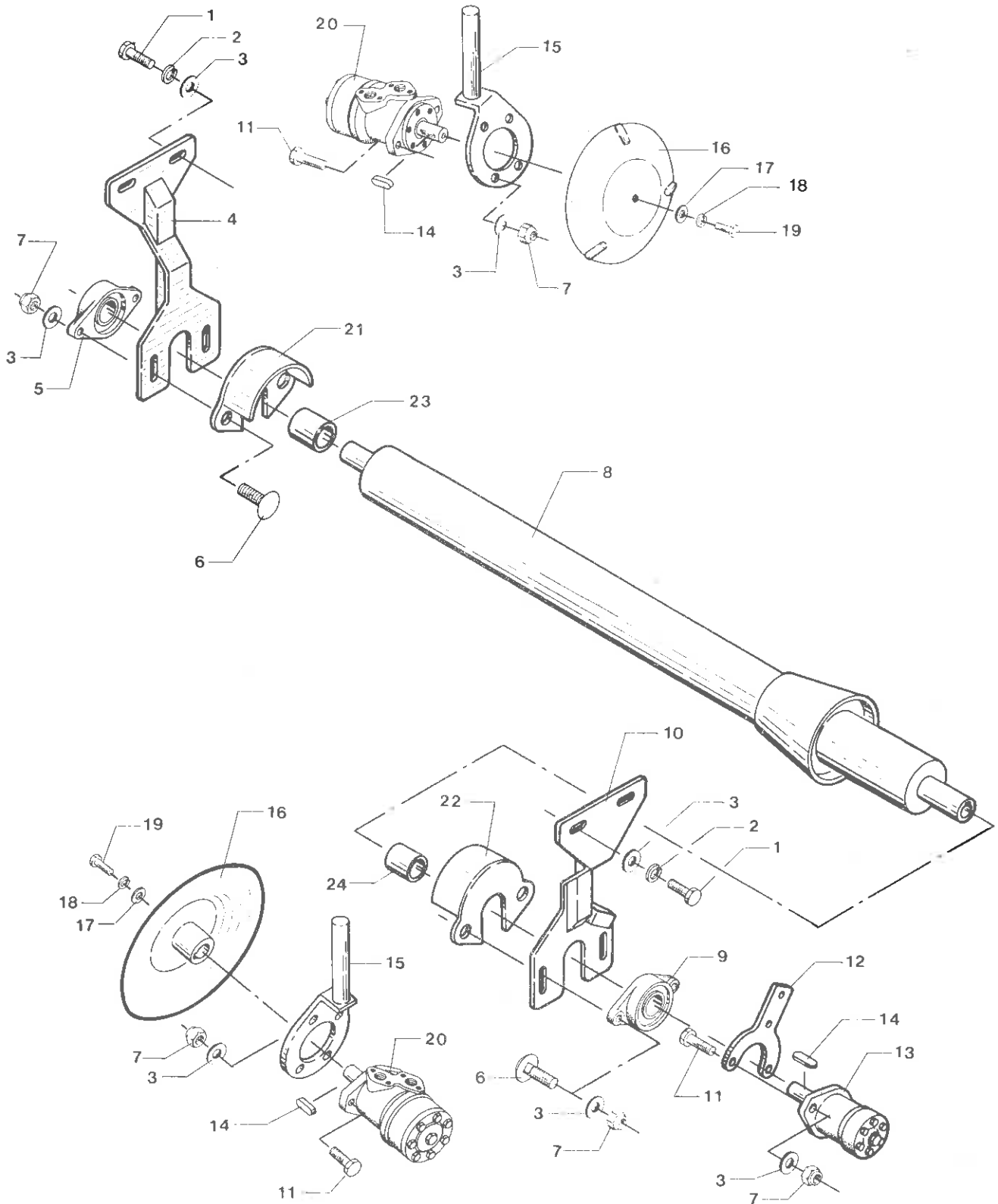
MIISA TE105 KRB/S 311 RE



| | | | |
|-------------|------------------------------------|------------------------|-------------------------|
| 53 419160 | KØDEHJ. 3/4"-12TDR-Ø35-N8-M/NAV | SPROCKET 12T. W/HUB | KETTENRAD 12Z. M/NABE |
| 54 419064 | SKØRM V/KØDEKOBLING | GUARD BY CHAIN CLUTCH | SCHIRM A/KETTENKUPPLUNG |
| 55 14044200 | MASKINBOLT GROV M10 X 50 MM | BOLT | BOLZEN |
| 56 490886 | BESLAG FOR GUMMISKØRM ZX67X1564 MM | FITTING F/RUBBER GUARD | BESCHLAG F/GUMMISCHIRM |
| 57 490887 | GUMMISKØRM 6 X 110 X 1564 MM | RUBBER GUARD | GUMMISCHIRM |
| 58 14085400 | SØTSKRUE GROV M8 X 20 MM | SET SCREW | SETZSCHRAUBE |
| 59 445288 | VINKELBESLAG 25 X 5 X 60 MM | ANGULAR FITTING | WINKELBESCHLAG |
| 60 419223 | RINGSPLIT M/WIRE KPL. | EYE BOLT W/WIRE CPL. | AUGENBOLZEN M/DRAHT KPL |



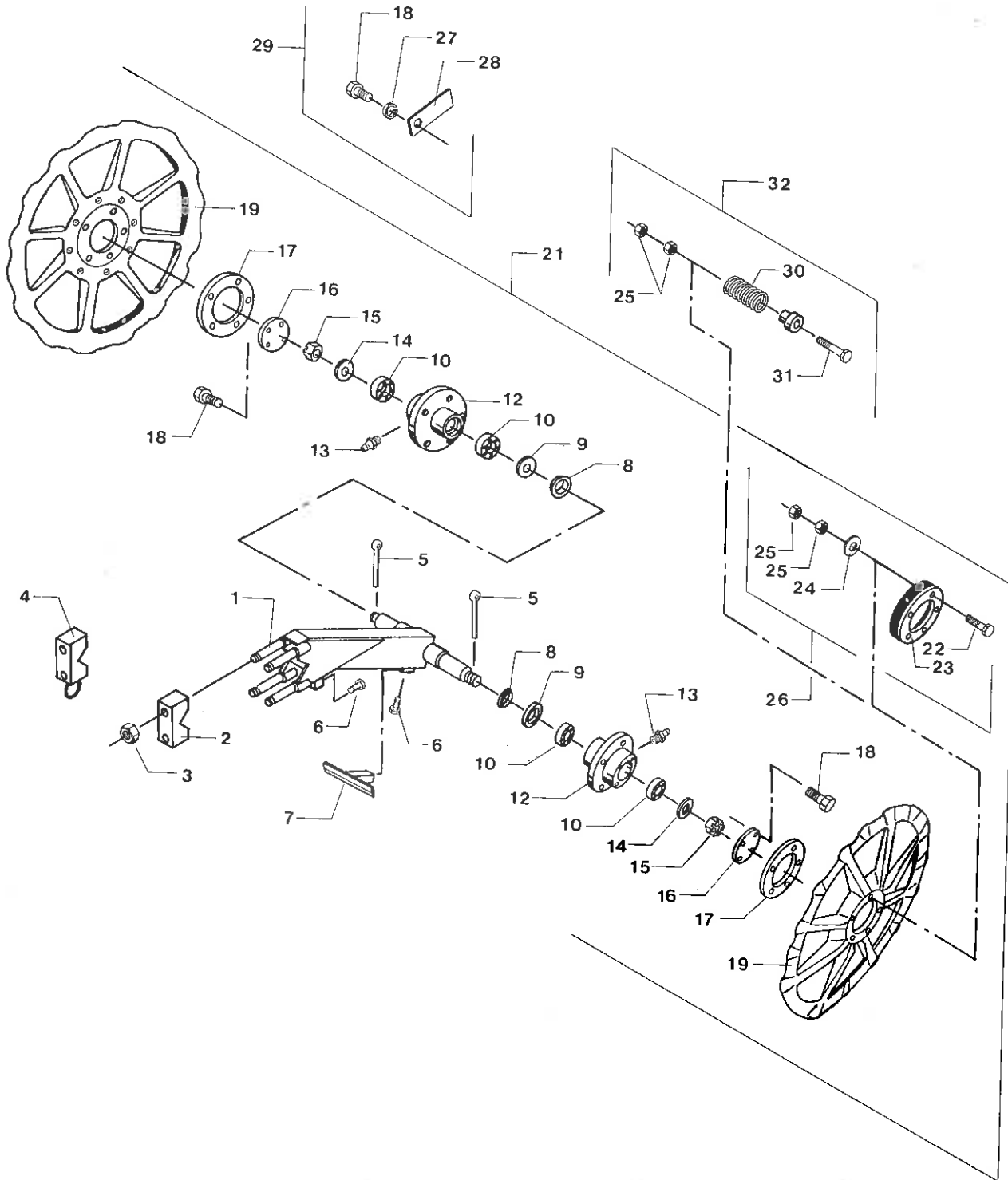
MIISA TE105 KRB/S 311 RE



| | Hydr. indføringsrulle | Hydr. feeding rolle | Hydr. Einführungsrolle |
|----|--|-------------------------|------------------------|
| 1 | 14089600 SETSKRUE GROV M12 X 25 MM | SET SCREW | SETZSCHRAUBE |
| 2 | 14462700 CENTERFJEDERSKIVE M12 | SPRING WASHER | FEDERSCHEIBE |
| 3 | 14453000 SVÆR SKIVE 1/2" | WASHER | SCHIEBE |
| 4 | 493365 H. OPHÆNG F/INDFØRINGSRULLE | RH SUSP. F/FEED. ROLL | AUFH. R. F/EINF.-ROLLE |
| 5 | 15175500 FLANGELEJE OVAL FYTB 30 TF | FLANGED BEARING, OVAL | FLANSCHENLAGER, OVAL |
| 5 | 15105400 LEJEHUS FYTB 506M | BEARING HOUSING | LAGERGEHÄUSE |
| 5 | 15107900 LEJE F.FLANGE OG STÅLEJE YAR 206-2F | BEARING F/FLANGE+PED.B. | LAGER F/FL.+STEHLAGER |
| 6 | 14325400 BRÆDDEBOLT M12 X 40 MM | CARRIAGE BOLT | BOLZEN |
| 7 | 14430700 LÅSEMØTRIK M12 | LOCK NUT | GEGENMUTTER |
| 8 | 493369 INDFØRINGSRULLE MIIS/MIIS-TE | FEEDING ROLLER | EINFUEHRUNGSROLLE |
| 9 | 15175700 FLANGELEJE OVAL FYTB 40 TF | FLANGED BEARING, OVAL | FLANSCHENLAGER, OVAL |
| 9 | 15108100 LEJE F.FLANGE OG STÅLEJE YAR 208-2F | BEARING F/FLANGE+PED.B. | LAGER F/FL.+STEHLAGER |
| 9 | 15105600 LEJEHUS FL 208 | BEARING HOUSING | LAGERGEHÄUSE |
| 10 | 493364 V. OPHÆNG F/INDFØRINGSRULLE | LH SUSP. F/FEED. ROLL | AUFH. L. F/EINF.-ROLLE |
| 11 | 14090000 SETSKRUE GROV M12 X 45 MM | SET SCREW | SETZSCHRAUBE |
| 12 | 492979 BESLAG F. OLIEMOTOR | FITTING F. OIL MOTOR | BESCHLAG F. OELMOTOR |
| 13 | 13718800 OLIEMOTOR OMR 200 | OIL MOTOR | OELMOTOR |
| 13 | 13719900 PAKNINGSSÆT ALLE OMR | PACKING SET | DICHTSATZ |
| 14 | 14607400 PASSFEDER 8 X 7 X 32 MM | KEY | PASSFEDER |
| 15 | 493597 V. BESLAG F. OLIEMOTOR | LH FITTING F. OIL MOTOR | L. BESCHLAG F/OELMOTOR |
| 16 | 493869 SIDETALLERKEN Ø350 MM | SIDE PLATE | SEITENTELLER |
| 17 | 14450100 LET SKIVE 1/4" | WASHER | SCHIEBE |
| 18 | 14462500 CENTERFJEDERSKIVE M8 | SPRING WASHER | FEDERSCHEIBE |
| 19 | 14085400 SETSKRUE GROV M8 X 20 MM | SET SCREW | SETZSCHRAUBE |
| 20 | 13718700 OLIEMOTOR OMR 160 | OIL MOTOR | OELMOTOR |
| 20 | 13719900 PAKNINGSSÆT ALLE OMR | PACKING SET | DICHTSATZ |
| 21 | 493339 STOR BESKYTTELSSESKÆRM | PROTECTION GUARD, LARGE | SCHUTZSCHIRM, GROSS |
| 22 | 493336 LILLE BESKYTTELSSESKÆRM | PROTECTION GUARD, SMALL | SCHUTZSCHIRM, KLEIN |
| 23 | 618296 LEJEBØSNING | BEARING BUSH | LAGERBUCHSE |
| 24 | 492308 RØRHOLDER | PIPE HOLDER | ROHRHALTER |



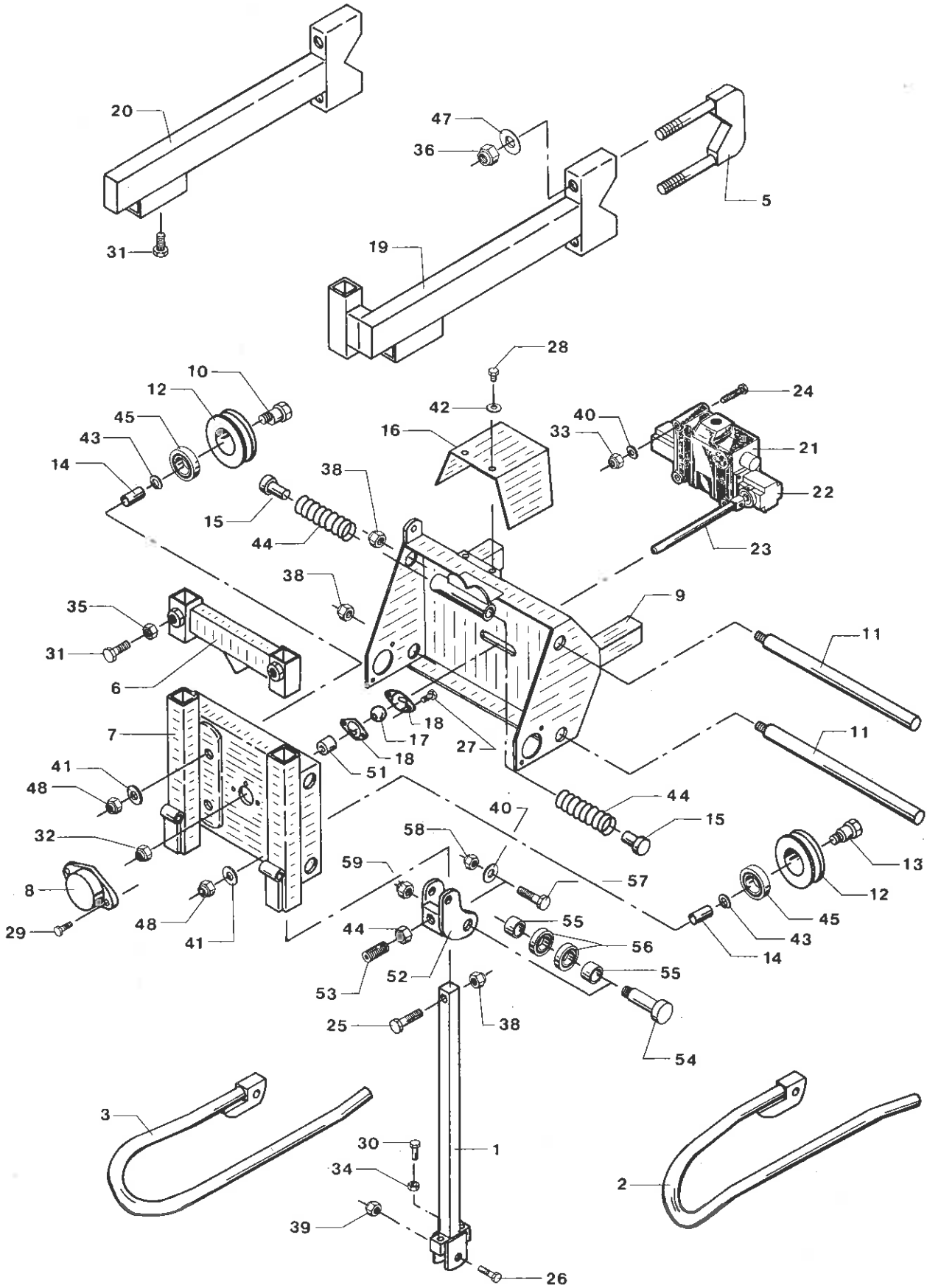
MIISA TE105 KRB/S 311 RE



| Oppel hjul | Lifting wheel | Oppelrad |
|-------------|-------------------------------------|-------------------------|
| 1 491496 | OPSTANDER | UPRIGHT |
| 2 471219 | FORRESTE SPENDEBESLAG | FRONT CLAMP |
| 3 14433905 | LÅSEMØTRIK M/NYLON MF22 X 1.5 MM | LOCK NUT W/NYLON |
| 4 444592 | SPENDEBESLAG M/RING | CLAMP FITTING W/RING |
| 5 14525400 | JERNSPPLIT Ø4 X 40 MM | SPLIT PIN |
| 6 14162400 | TAPSÆTSKRUE GROV M16 X 35 MM | STUD SET SCREW |
| 7 491372 | KNIV | KNIFE |
| 8 13374700 | TÆTNINGSPLADE HDL45 Ø72.4/52.5 | SEAL RING |
| 9 13333200 | SIMMERRING 55 X 75 X 10 MM | OIL SEAL |
| 10 15194000 | R-LEJE KON.TIMKEN 102949/910 Ø45IND | CONE ROLLER BEARING |
| 12 491317 | NAV F. OPPELHJUL | LIFTING WHEEL HUB |
| 13 13816500 | SMØRENIPPEL LIGE 1/4" BSP | GREASE NIPPLE STRAIGHT |
| 14 491520 | UNDERLAGSSKIVE Ø70 X Ø26 X 9 MM | WASHER |
| 15 491884 | KRONEMØTRIK M24, AFDREJET | CASTELLATED NUT |
| 16 491518 | DEKSEL FOR NAV | HUB COVER |
| 17 491600 | AFSTANDSSKIVE Ø195/Ø118 X 6 MM | SPACER |
| 18 14087400 | SÆTSKRUE GROV M10 X 20 MM | SET SCREW |
| 19 492906 | OPPELHJUL M/KLØR | LIFTING WHEEL W/NUTS |
| 21 493615 | OPSTANDER M/OPPELHJUL - GB-D | STALK W/LIFTING WHEEL |
| 22 14049000 | MASKINBOLT GROV M14 X 120 MM | BOLT |
| 23 501257 | GUMMISKIVE | RUBBER DISK |
| 24 14440600 | SVÆR SKIVE 17 X 30 X 3 MM | WASHER |
| 25 14410900 | MØTRIK M14 | NUT |
| 26 501858 | GUMMISKIVER - STENUDLØSNING -91 | RUBBER DISC SET CPL |
| 27 14462600 | CENTERFJEDERSKIVE M10 | SPRING WASHER |
| 28 491731 | EKSTRA EGER TIL OPPELHJUL | EXTRA SPOKE/LIFT. WHEEL |
| 29 501108 | SÆT EGER MED BOLTE (1 RÆKKE) | SPOKE SET W/BOLTS 1 ROW |
| 30 14778906 | TRYKFJEDER Ø9 X Ø41 X 84 MM | COMPRESSION SPRING |
| 31 14049500 | MASKINBOLT GROV M14 X 180 MM | BOLT |
| 32 502471 | FJEDERSÆT F. OPPELHJUL 1991 & ÆLDRE | SPRINGS F/1 LIFT. WHEEL |
| | | STAENDER |
| | | VORD. SPANNBESCHLAG |
| | | GEGENMUTTER M/NYLON |
| | | SPANNBESCHLAG M/RING |
| | | EISENSPLINT |
| | | ZAPFSETZSCHRAUBE |
| | | MESSER |
| | | DICHTPLATE |
| | | OELFANGRING |
| | | KEGELROLLENLAGER |
| | | OPPELRADNABE |
| | | SCHMIERNIPPEL GERADE |
| | | UNTERLAGSSCHEIBE |
| | | KRONEMUTTER |
| | | DECKEL F/NABE |
| | | ABSTANDSSCHEIBE |
| | | SETZSCHRAUBE |
| | | OPPELRAD M/KRALLEN |
| | | STAENDER M/OPPELRAD |
| | | BOLZEN |
| | | GUMMISCHEIBE |
| | | SCHLEIFE |
| | | MUTTER |
| | | SATZ GUMMISCHIBE KPL |
| | | FEDERSCHLEIFE |
| | | EXTRA SPEICHE/OPPELRAD |
| | | SPEICHSATZ M/BOLZ. 1 R. |
| | | DRUCKFEDER |
| | | BOLZEN |
| | | FEDERSATZ F/1 OPPELRAD |



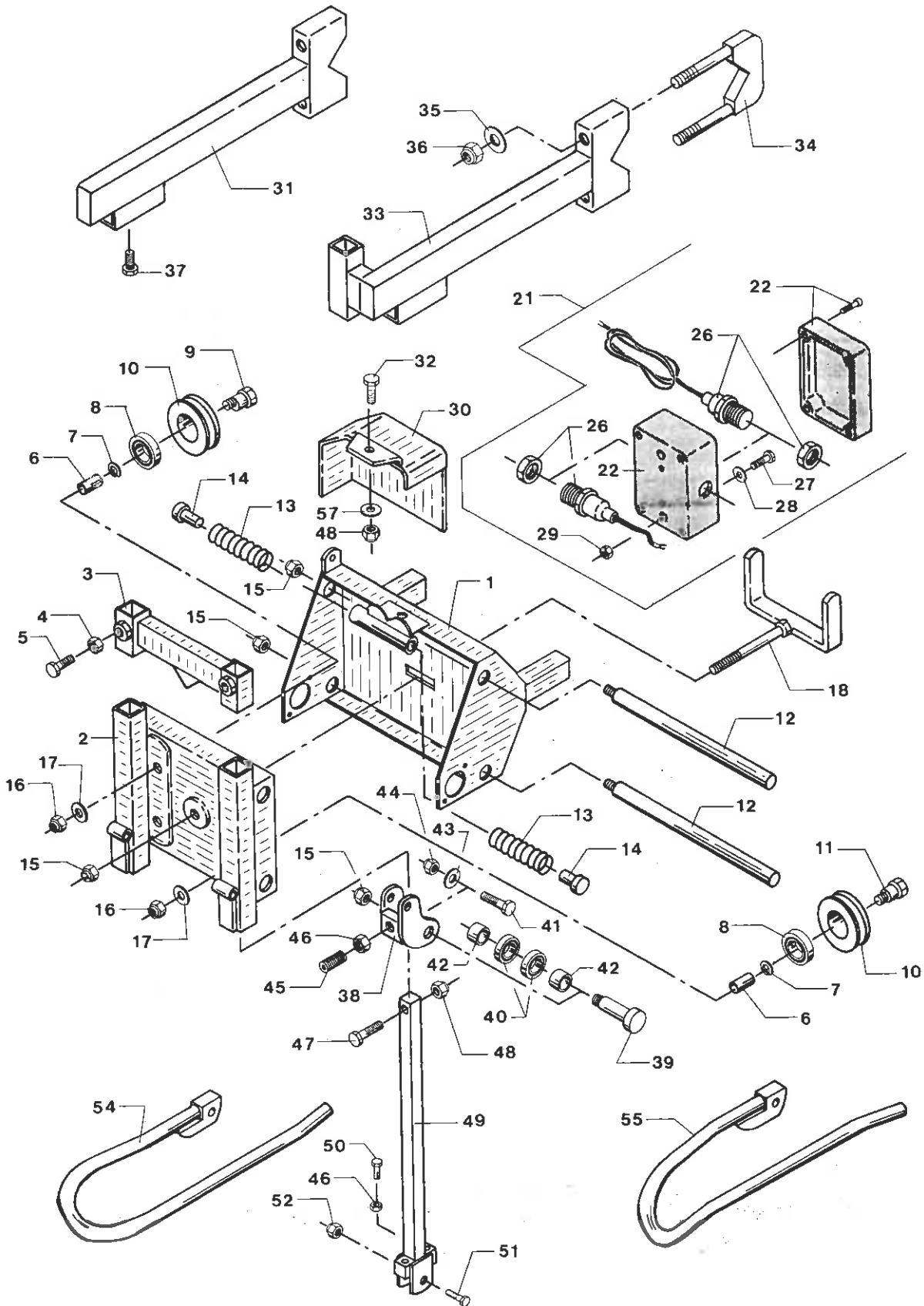
MIISA TE105 KRB/S 311 RE



| Aut. sidestyring | Aut. side steering | Aut Seitenssteuerung | |
|------------------|-------------------------------------|-------------------------|-------------------------|
| 1 444573 | OPSTANDER FOR GLIDESKO | UPRIGHT F/SKID | STAENDER F/GLEITSCHUH |
| 2 444574 | HØJRE GLIDESKO KPL. | RH SKID CPL | R. GLEITSCHUH KPL |
| 3 444575 | VENSTRE GLIDESKO KPL. | LH SKID CPL | L. GLEITSCHUH KPL |
| 5 490008 | BAGESTE BESLAG F. LEDESKINNE | REAR CLAMP F/GUIDE RAIL | HINT. BESCHLAG/LEITSCH. |
| 6 490037 | PARALLELSTYR | PARALLEL GUIDE | PARALLELFÜHRUNG |
| 7 490041 | LØBEKASSE | INNER FRAME | LAUFRAHMEN |
| 8 490045 | DÆKSEL FOR AUT. STYRING | SELF-STEERING COVER | DECKEL F/AUT. STEUERUNG |
| 9 490266 | BÆREKASSE F. AUT. SIDESTYRING | SUPPORT F. SELF-STEER. | TRAEGER F. AUT. LENKUNG |
| 10 490341 | EKCENTRIKBOLT FOR RULLE | ECCENTRIC BOLT FOR ROLL | EXZENTERBOLZEN F. ROLLE |
| 11 490372 | BÆREKSEL Ø19 X 420 MM | CARRYING SHAFT | TRAGACHSE |
| 12 490375 | STYRERULLE | GUIDE ROLLER | LENKROLLE |
| 13 490376 | SPECIALBOLT FOR RULLE | SPECIAL BOLT FOR ROLL | SPEZIALBOLZEN F. ROLLE |
| 14 490377 | AFSTANDSBØSNING Ø40 X Ø25 X 17 MM | DISTANCE BUSH | ABSTANDBUCHSE |
| 15 490378 | TRYKSKO Ø25 X 70 MM | THRUST PAD | DRUCKSCHUH |
| 16 490379 | SKÆRM 150 X 320 X 2 MM | GUARD | SCHIRM |
| 17 490386 | KUGLE | BALL | KUGEL |
| 18 490387 | KUGLEKALOT | BALL CUP | KUGELKAPPE |
| 19 477037 | BESLAG F/STYRING+APPUDS. L=622 MM-D | FITTING F/SCALP.+STEER. | BESCHL./NACHK.+STEUER. |
| 20 477039 | BESLAG F/STYRING L=622 MM - D | FITTING F/STEERING | BESCHLAG F/STEUERUNG |
| 21 13720102 | HYDR. VENTILCENTRAL F. SIDESTYRING | HYDR. VALVE BLOCK/SIDE | HYDR. STEUERBLOCK/SEIT. |
| 21 13728700 | PAKNINGSSÆT F/PL25 FOR 137-20101 | PACKING SET | DICHTSATZ |
| 22 13772523 | BETJENINGSHUS KPL. | CONTROL HOUSING CPL | BEDIENUNGSGERÄUSE KPL |
| 22 13310900 | O-RING Ø13.95 X 2.62 MM | O-RING | O-RING |
| 23 13772700 | HÅNDTAG MED BAKELITKUGLE | HANDLE W/BAKELITE BALL | HANDGRIFF M/BAKELITKUG. |
| 24 14042800 | MASKINBOLT GROV M8 X 60 MM | BOLT | BOLZEN |
| 25 14085800 | SÆTSKRUE GROV M8 X 40 MM | SET SCREW | SETZSCHRAUBE |
| 26 14050000 | MASKINBOLT GROV M16 X 70 MM | BOLT | BOLZEN |
| 27 14255400 | UNBRACO MC 6 X 30 MM | UNBRACO SCREW | UNBRACOSCHRAUBE |
| 28 14085300 | SÆTSKRUE GROV M8 X 16 MM | SET SCREW | SETZSCHRAUBE |
| 29 14085400 | SÆTSKRUE GROV M8 X 20 MM | SET SCREW | SETZSCHRAUBE |
| 30 14090300 | SÆTSKRUE GROV M12 X 60 MM | SET SCREW | SETZSCHRAUBE |
| 31 14162400 | TAPSÆTSKRUE GROV M16 X 35 MM | STUD SET SCREW | ZAPFSETZSCHRAUBE |
| 32 14430100 | LÅSEMØTRIK M6 | LOCK NUT | GEGENMUTTER |
| 33 14430300 | LÅSEMØTRIK M8 | LOCK NUT | GEGENMUTTER |
| 34 14410700 | MØTRIK M12 | NUT | MUTTER |
| 35 14411100 | MØTRIK M16 | NUT | MUTTER |
| 36 14431400 | LÅSEMØTRIK M20 | LOCK NUT | GEGENMUTTER |
| 38 14430700 | LÅSEMØTRIK M12 | LOCK NUT | GEGENMUTTER |
| 39 14431000 | LÅSEMØTRIK M16 | LOCK NUT | GEGENMUTTER |
| 40 14440400 | SVÆR SKIVE 10.5 X 21 X 2 MM | WASHER | SCHLEIBE |
| 41 14440600 | SVÆR SKIVE 17 X 30 X 3 MM | WASHER | SCHLEIBE |
| 42 14480200 | SPEC. SKIVE 25 X 8.5 X 2.0 MM | SPECIAL WASHER | SPEZIALSCHLEIBE |
| 43 14685000 | SEEGERRING INDV. Ø52 MM | CIRCLIP | SICHERUNGSRING |
| 44 14771700 | TRYKFJEDER Ø2 X Ø18 X 155 MM | COMPRESSION SPRING | DRUCKFEDER |
| 45 15111700 | SPORKUGLELEJE ENRÆK. 6205-2RS | STEP BALL BEARING 1-R. | SPURKUGELLAGER 1-REIH. |
| 47 14440800 | SVÆR SKIVE 21 X 37 X 3 MM | WASHER | SCHLEIBE |
| 48 14411100 | MØTRIK M16 | NUT | MUTTER |
| 51 490420 | MELLEMLØGSBØSNING Ø16/Ø6.5 X 15 MM | FILLER BUSH | ZWISCHENLAGBUCHSE |
| 52 490616 | HOLDER F. KUGLELEJESTYR | HOLDER F/BALL BE. GUIDE | HALTER F/KUGELL.-FUEHR. |
| 53 14288620 | UNBRACO MSP 12 X 30 MM | UNBRACO SCREW | UNBRACOSCHRAUBE |
| 54 490614 | AKSEL F. KUGLELEJESTYR | SHAFT F/BALL BEAR.GUIDE | WELLE F/KUGELLAG.FUEHR. |
| 55 490602 | BØSNING F. EL-STYRING Ø22 X 2 X 8MM | BUSH F/EL. CONTROL | BUCHSE F/EL. STEUERUNG |
| 56 15111200 | SPORKUGLELEJE ENRÆK. 6203-2RS | STEP BALL BEARING 1-R. | SPURKUGELLAGER 1-REIH. |
| 57 14044500 | MASKINBOLT GROV M10 X 65 MM | BOLT | BOLZEN |
| 58 14430500 | LÅSEMØTRIK M10 | LOCK NUT | GEGENMUTTER |
| 59 14430700 | LÅSEMØTRIK M12 | LOCK NUT. | GEGENMUTTER |



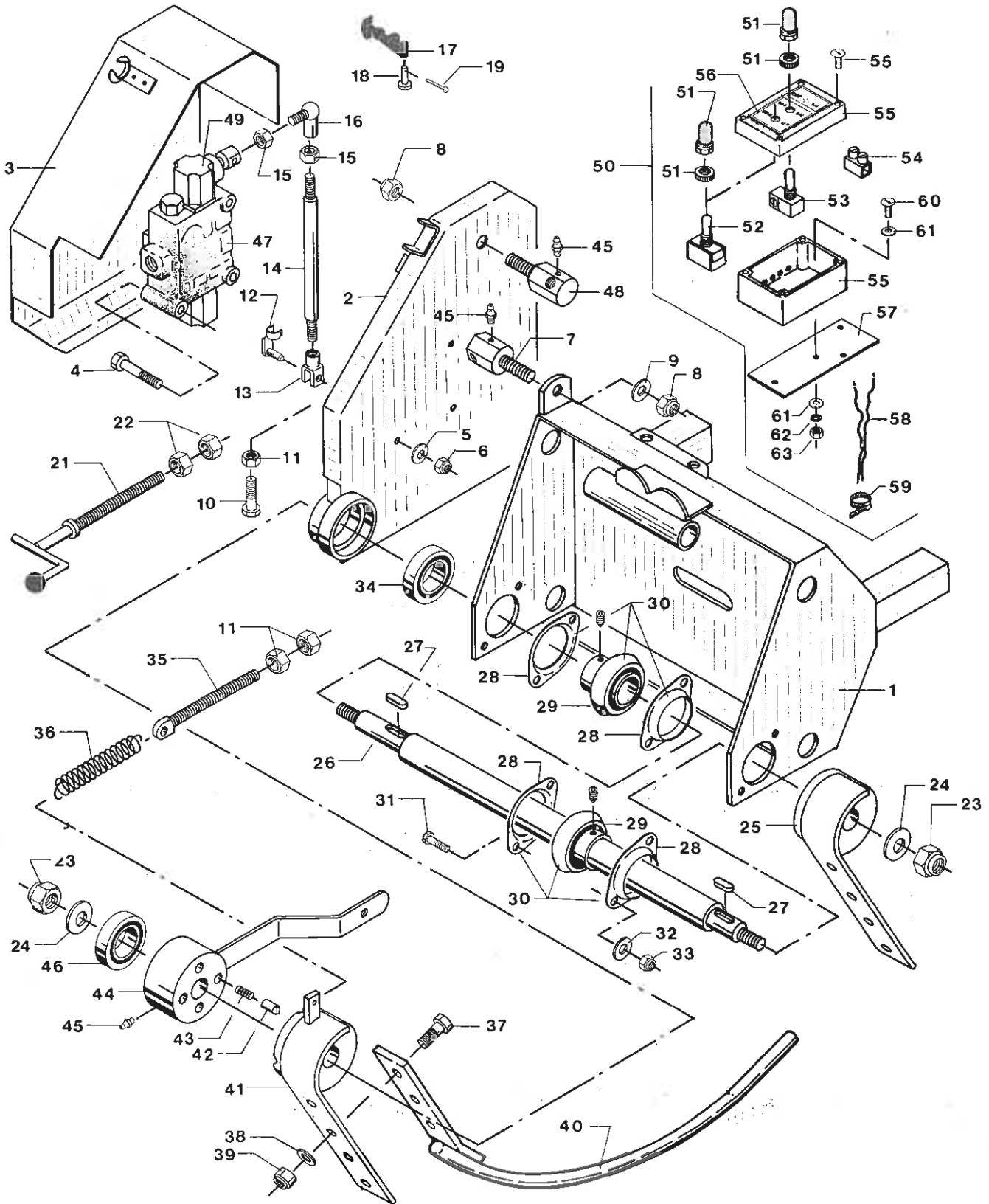
MILSA TE105 KRB/S 311 RE



| Aut. el-sidestyring | El. self-steering | Aut. el. Lenkung |
|---------------------|-------------------------------------|---|
| 1 490612 | BÆREKASSE F/SIDE-DYBDESTYR./OPPELHJ | SUPPORT F/STEERING/LI.W. TRÆGER/STEUERUNG/OPPEL |
| 2 490274 | LØBEKASSE F. EL-STYRING | INNER FRAME F/EL.STEER. LAUFRAHMEN F/EL.STEUER. |
| 3 490037 | PARALLELSTYR | PARALLEL GUIDE PARALLELFØHRUNG |
| 4 14411100 | MØTRIK M16 | NUT MUTTER |
| 5 14162400 | TAPSÆTSKRUE GROV M16 X 35 MM | STUD SET SCREW ZAPFSETZSCHRAUBE |
| 6 490377 | AFSTANDSBØSNING Ø40 X Ø25 X 17 MM | DISTANCE BUSH ABSTANDBUCHSE |
| 7 14685000 | SEEGERRING INDV. Ø52 MM | CIRCLIP SICHERUNGSRING |
| 8 15111700 | SPORKUGLELEJE ENRÆK. 6205-2RS | STEP BALL BEARING 1-R. SPURKUGELLAGER 1-REIH. |
| 9 490341 | EKCENTRIKBOLT FOR RULLE | ECCENTRIC BOLT FOR ROLL EXZENTERBOLZEN F. ROLLE |
| 10 490375 | STYRERULLE | GUIDE ROLLER LENKROLLE |
| 11 490376 | SPECIALBOLT FOR RULLE | SPECIAL BOLT FOR ROLL SPEZIALBOLZEN F. ROLLE |
| 12 490372 | BÆREKSEL Ø19 X 420 MM | CARRYING SHAFT TRAGACHSE |
| 13 14771700 | TRYKFJEDER Ø2 X Ø18 X 155 MM | COMPRESSION SPRING DRUCKFEDER |
| 14 490619 | TRYSKO F. EL-STYRING | THRUST PAD F/EL. STEER. DRUCKSCHUH F/EL-STEUER. |
| 15 14430700 | LÅSEMØTRIK M12 | LOCK NUT GEGENMUTTER |
| 16 14431000 | LÅSEMØTRIK M16 | LOCK NUT GEGENMUTTER |
| 17 14440600 | SVÆR SKIVE 17 X 30 X 3 MM | WASHER SCHEIBE |
| 18 490606 | BØJLE F. EL-STYRING | CLAMP F/EL. STEERING BUEGEL F/EL.-STEUERUNG |
| 21 490272 | EL-BOX F. SIDESTYRING | EL. BOX F/SIDE STEERING EL.KASTEN F/SEITENSTEU. |
| 22 490618 | STRØMKASSE TIL DYBDEREGULERING | EL. BOX F/DEPTH CONTROL EL.-KASTEN F/TIEFENREG. |
| 26 502507 | INDUKTIVFØLER + MONT. VEJLEDNING | INDUCTIVE SENSOR INDUKTIONSTASTER |
| 27 14183500 | JERNMASKINSKRUE M5 X 16 MM | SCREW SCHRAUBE |
| 28 14462200 | CENTERFJEDERSKIVE M5 | SPRING WASHER FEDERSCHEIBE |
| 29 14410100 | MØTRIK M5 | NUT MUTTER |
| 30 490597 | SKERM | GUARD SCHIRM |
| 31 477039 | BESLAG F/STYRING L=622 MM - D | FITTING F/STEERING BESCHLAG F/STEUERUNG |
| 32 14085400 | SÆTSKRUE GROV M8 X 20 MM | SET SCREW SETZSCHRAUBE |
| 33 477037 | BESLAG F/STYRING+APPUDS. L=622 MM-D | FITTING F/SCALP.+STEER. BESCHL./NACHK.+STEUER. |
| 34 490008 | RAGESTE BESLAG F. LEDESKINNE | REAR CLAMP F/GUIDE RAIL HINT. BESCHLAG/LEITSCH. |
| 35 14440800 | SVÆR SKIVE 21 X 37 X 3 MM | WASHER SCHEIBE |
| 36 14431400 | LÅSEMØTRIK M20 | LOCK NUT GEGENMUTTER |
| 37 14162400 | TAPSÆTSKRUE GROV M16 X 35 MM | STUD SET SCREW ZAPFSETZSCHRAUBE |
| 38 490616 | HOLDER F. KUGLELEJESTYR | HOLDER F/BALL BE. GUIDE HALTER F/KUGELL.-FUEHR. |
| 39 490614 | AKSEL F. KUGLELEJESTYR | SHAFT F/BALL BEAR.GUIDE WELLE F/KUGELLAG.FUEHR. |
| 40 15111200 | SPORKUGLELEJE ENRÆK. 6203-2RS | STEP BALL BEARING 1-R. SPURKUGELLAGER 1-REIH. |
| 41 14044500 | MASKINBOLT GROV M10 X 65 MM | BOLT BOLZEN |
| 42 490602 | BØSNING F. EL-STYRING Ø22 X 2 X 8MM | BUSH F/EL. CONTROL BUCHSE F/EL. STEUERUNG |
| 43 14440400 | SVÆR SKIVE 10.5 X 21 X 2 MM | WASHER SCHEIBE |
| 44 14430500 | LÅSEMØTRIK M10 | LOCK NUT GEGENMUTTER |
| 45 14288620 | UNBRACO MSP 12 X 30 MM | UNBRACO SCREW UNBRACOSCHRAUBE |
| 46 14410700 | MØTRIK M12 | NUT MUTTER |
| 47 14085800 | SÆTSKRUE GROV M8 X 40 MM | SET SCREW SETZSCHRAUBE |
| 48 14430300 | LÅSEMØTRIK M8 | LOCK NUT GEGENMUTTER |
| 49 444573 | OPSTANDER FOR GLIDESKO | UPRIGHT F/SKID STAENDER F/GLEITSCHUH |
| 50 14090300 | SÆTSKRUE GROV M12 X 60 MM | SET SCREW SETZSCHRAUBE |
| 51 14050000 | MASKINBOLT GROV M16 X 70 MM | BOLT BOLZEN |
| 52 14431000 | LÅSEMØTRIK M16 | LOCK NUT GEGENMUTTER |
| 54 444574 | HØJRE GLIDESKO KPL. | RH SKID CPL R. GLEITSCHUH KPL |
| 55 444575 | VENSTRE GLIDESKO KPL. | LH SKID CPL L. GLEITSCHUH KPL |
| 57 14450100 | LET SKIVE 1/4" | WASHER SCHEIBE |



MIISA TE105 KRB/S 311 RE

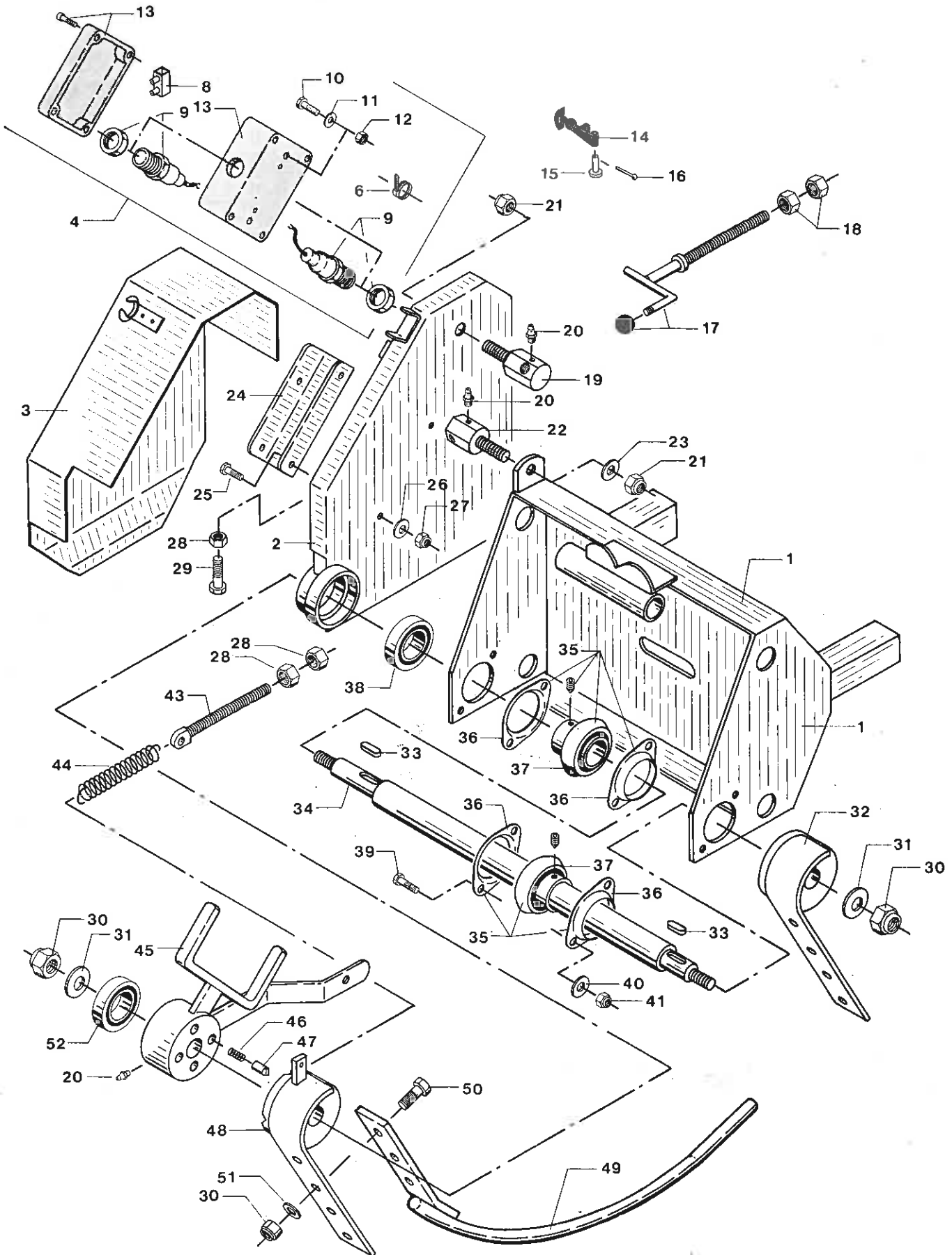


| Aut. dybderegulering | Aut. depth control | Aut. Tiefenregulierung |
|----------------------|-------------------------------------|--|
| 1 490266 | BÆREKASSE F. AUT. SIDESTYRING | SUPPORT F. SELF-STEER. TRAEGER F. AUT. LENKUNG |
| 2 501681 | PLADE F. AUT. DYBDEREGULERING | PLATE F/AUT.DEPTH CONT. PLATTE F/AUT.TIEFENREG. |
| 3 501680 | SKÆRM | GUARD SCHIRM |
| 4 14042800 | MASKINBOLT GROV M8 X 60 MM | BOLT BOLZEN |
| 5 14450100 | LET SKIVE 1/4" | WASHER SCHEIBE |
| 6 14430300 | LÅSEMØTRIK M8 | LOCK NUT GEGENMUTTER |
| 7 501890 | SPINDELSTYR | SPINDLE GUIDE SPINDELFÜHRUNG |
| 8 14431000 | LÅSEMØTRIK M16 | LOCK NUT GEGENMUTTER |
| 9 14440600 | SVÆR SKIVE 17 X 30 X 3 MM | WASHER SCHEIBE |
| 10 14090300 | SÆTSKRUE GROV M12 X 60 MM | SET SCREW SETZSCHRAUBE |
| 11 14410700 | MØTRIK M12 | NUT MUTTER |
| 12 14866001 | ES-BOLT | ES-BOLT ES-BOLZEN |
| 13 14866002 | GAFFELHOVED | YOKE HEAD GABELKOPF |
| 14 501889 | GEVINDSTANG | THREADED BAR GEWINDESTAB |
| 15 14410400 | MØTRIK M8 | NUT MUTTER |
| 16 14864000 | VINKLENDER 90GR. FORM AS13 M8 | ELBOW END WINKLELENDE |
| 17 15312501 | GUMMISTROP 115 MM | RUBBER STRAP GUMMISTROPP |
| 18 14510300 | NITTE RUNDH. Ø4.6 X 30 MM | RIVET SNAPHEAD NIET SCHELLKOPF |
| 19 14521000 | JERNSPLIT Ø2 X 12 MM | SPLIT PIN EISENSPLINT |
| 20 13314000 | O-RING Ø29.75 X 3.53 MM | O-RING O-RING |
| 21 501697 | SPINDEL | SCREW SPINDEL |
| 22 14411100 | MØTRIK M16 | NUT MUTTER |
| 23 14430700 | LÅSEMØTRIK M12 | LOCK NUT GEGENMUTTER |
| 24 461041 | SVÆR SKIVE Ø35/Ø13 X 6 MM | THICK DISC SCHWERE SCHEIBE |
| 25 501682 | BESLAG FOR SKI VENSTRE | RUNNER MOUNTING LH BESCHLAG F/KUFE L. |
| 26 501901 | AKSEL F/SKI Ø30 X 615 MM | SHAFT F/RUNNER WELLE F/KUFE |
| 27 14607414 | PASFEDER 8 X 7 X 28 MM | KEY PASSFEDER |
| 28 15107200 | OVAL PLADEFLENGE PFT 62 | OVAL PLATE FLANGE OVALER PLATTENFLANSCH |
| 29 15107900 | LEJE F.FLANGE OG STÅLEJE YAR 206-2F | BEARING F/FLANGE+PED.B. LAGER F/FL.+STEHLAGER |
| 30 15178000 | PLADEFLENGELEJE OVAL PTF 30 TF | PL.FLANGE BEARING, OVAL PL.-FLANSCHLAGER, OVAL |
| 31 14087500 | SÆTSKRUE GROV M10 X 25 MM | SET SCREW SETZSCHRAUBE |
| 32 14440400 | SVÆR SKIVE 10.5 X 21 X 2 MM | WASHER SCHEIBE |
| 33 14430500 | LÅSEMØTRIK M10 | LOCK NUT GEGENMUTTER |
| 34 15110900 | SPORKUGLELEJE ENRÆK. 6006-2RS | STEP BALL BEARING 1-R. SPURKUGELLAGER 1-REIH. |
| 35 501079 | STRAMMEBOLT | TIGHTENING BOLT SPANNBOLZEN |
| 36 14783000 | TREKFJEDER 1 ØJE 2 ENDER Ø3 X Ø22 | TENSION SPRING ZIEHFEDER |
| 37 14089800 | SÆTSKRUE GROV M12 X 35 MM | SET SCREW SETZSCHRAUBE |
| 38 14440500 | SVÆR SKIVE 13 X 24 X 2.5 MM | WASHER SCHEIBE |
| 39 14430700 | LÅSEMØTRIK M12 | LOCK NUT GEGENMUTTER |
| 40 493863 | DYBDEFØLER Ø16 X 510 MM | DEPTH FEELER TIEFENFÜHLER |
| 41 501683 | BESLAG FOR SKI HØJRE | RUNNER MOUNTING RH BESCHLAG F/KUFE R. |
| 42 15482000 | PAL FOR KOBLING | PAWL F/CLUTCH NOCKEN F/KUPPLUNG |
| 43 15482200 | YDERFJEDER FOR KOBLING | OUTER SPRING F/CLUTCH AUSSENFEDER F/KUPPLUNG |
| 44 501684 | KOBLINGSDEL | CLUTCH PART KUPPLUNGSTEIL |
| 45 13840800 | SMØRENIPPEL LIGE M6 X 1 MM | GREASE NIPPLE STRAIGHT SCHMIERNIPPEL GERADE |
| 46 15110801 | SPORKUGLELEJE ENRÆK. 6005-2RS | STEP BALL BEARING 1-R. SPURKUGELLAGER 1-REIH. |
| 47 13720101 | HYDR. VENTILCENTRAL F. DYBDEREG. | HYDR. VALVE BLOCK/DEPTH HYDR. STEUERBLOCK/TIEF. |
| 47 13728700 | PAKNINGSSÆT F/PL25 FOR 137-20101 | PACKING SET DICHTSATZ |
| 48 501891 | SPINDELMØTRIK | SPINDLE NUT SPINDELMUTTER |
| 49 13772523 | BETJENINGSHUS KPL. | CONTROL HOUSING CPL. BETIENUNGSGERÄT KPL |
| 49 13310900 | O-RING Ø13.95 X 2.62 MM | O-RING O-RING |
| 50 502298 | SÆT EL-STYR. F. HYDR. ELEVATOR | SET EL.CTRL.F/HYDR.ELEV. SATZ EL-ST.F/HYDR.ELEV. |
| 51 12530001 | GUMMIHÆTTE F. KONTAKT | RUBBER CAP GUMMIKAPPE |

| | | | |
|-------------|------------------------------------|------------------------|-------------------------|
| 52 12530000 | VIPPEKONTAKT 1-POLET ON-OFF | TILT SWITCH | KIPPSCHALTER |
| 53 12530500 | VIPPEKONTAKT 2-POLET MON.-OFF-MON. | TILT SWITCH | KIPPSCHALTER |
| 54 12523500 | SAMLEMUFFE | CONN. MUFF | SAMMELMUFFE |
| 55 12644000 | PLASTIKKASSE 105 X 70 X 45 MM | PLASTIC BOX | PLASTIKKASTEN |
| 56 12414602 | TRANSFER EL-STYRING "OFF - ON" | TRANSFER EL. CONTROL | AUFKLEBER EL.-STEUER. |
| 57 502354 | MONTAGEPLADE F. EL-BOX | MOUNTING PL. F. EL-BOX | ANBAUPLATTE F/EL-KASTEN |
| 58 12504400 | PVC-KABEL 0.75 KVD. 2-LEDET | PVC-CABLE | PVC-KABEL |
| 59 12526700 | KABELBÄND 170 MM LANG | CABLE BAND | KABELBAND |
| 60 14182700 | JERNMASKINSKRUE M4 X 16 MM | SCREW | SCHRAUBE |
| 61 14440000 | SVÆR SKIVE 5.3 X 10 X 1 MM | WASHER | SCHEIBE |
| 62 14462100 | CENTERFJEDERSKIVE M4 | SPRING WASHER | FEDERSCHEIBE |
| 63 14410000 | MØTRIK M4 | NUT | MUTTER |



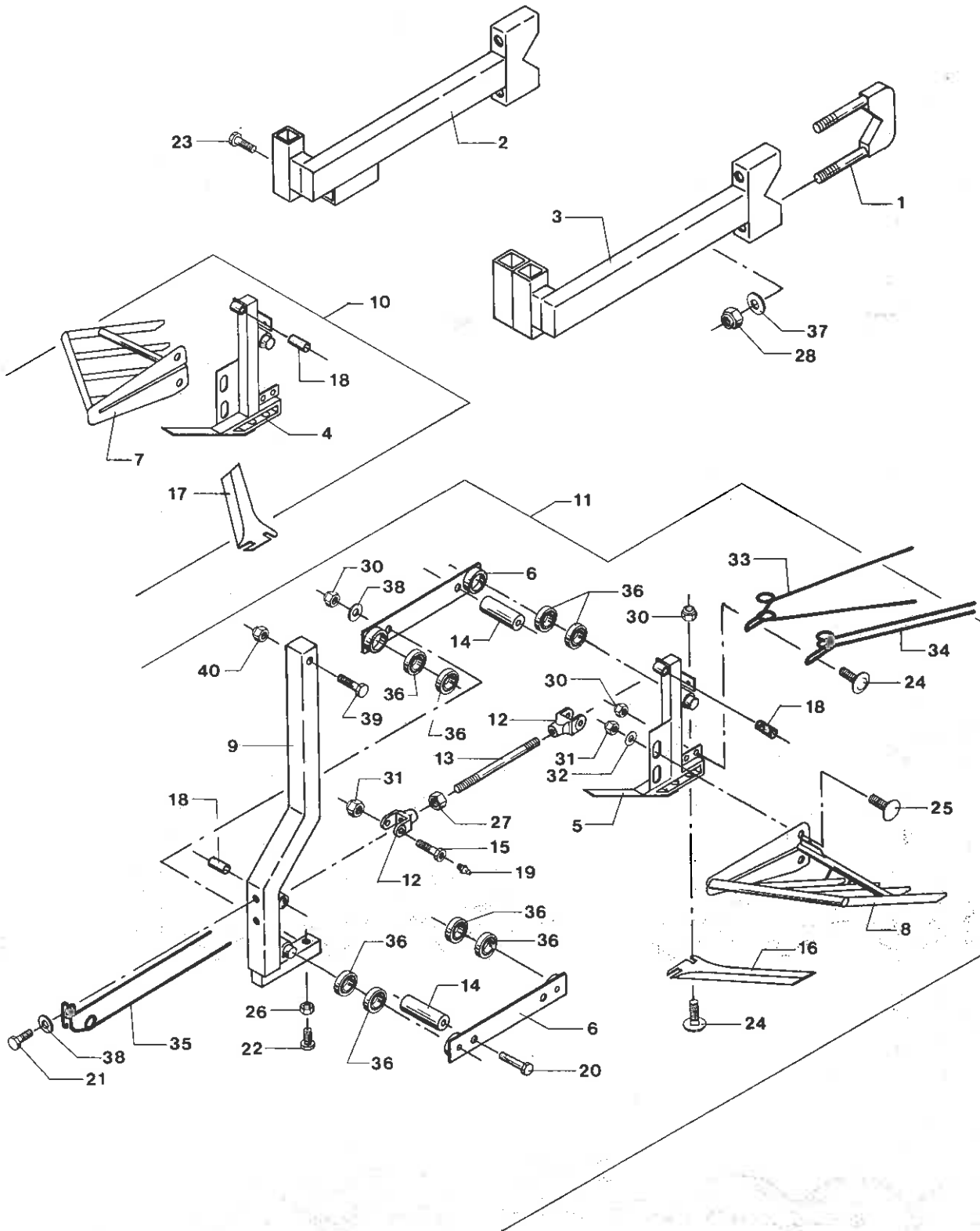
MIISA TE105 KRB/S 311 RE



| | Aut. el-dybderegulering | Aut. el depth control | Aut. el Tiefenregul. |
|----|--|--------------------------|--------------------------|
| 1 | 490612 BÆREKASSE F/SIDE-DYBDESTYR./OPPELHJ | SUPPORT F/STEERING/LI.W. | TRAEGER/STEUERUNG/OPPEL |
| 2 | 501681 PLADE F. AUT. DYBDEREGULERING | PLATE F/AUT.DEPTH CONT. | PLATTE F/AUT.TIEFENREG. |
| 3 | 501680 SKÆRM | GUARD | SCHIRM |
| 4 | 490273 EL-BOX F. DYBDEREGULERING | EL. BOX F/DEPTH CONTROL | EL.-KASTEN F/TIEFENREGU. |
| 6 | 12526700 KABELBÅND 170 MM LANG | CABLE BAND | KABELBAND |
| 8 | 12523500 SAMLEMUFFE | CONN. MUFF | SAMMELMUFFE |
| 9 | 502507 INDUKTIVFØLER + MONT. VEJLEDNING | INDUCTIVE SENSOR | INDUKTIONSTASTER |
| 10 | 14183500 JERNMASKINSKRUE M5 X 16 MM | SCREW | SCHRAUBE |
| 11 | 14462200 CENTERFJEDERSKIVE M5 | SPRING WASHER | FEDERSCHEIBE |
| 12 | 14410100 MØTRIK M5 | NUT | MUTTER |
| 13 | 490618 STRØMKASSE TIL DYBDEREGULERING | EL. BOX F/DEPTH CONTROL | EL.-KASTEN F/TIEFENREG. |
| 14 | 15312501 GUMMISTROP 115 MM | RUBBER STRAP | GUMMISTROPP |
| 15 | 14510300 NITTE RUNDH. Ø4.6 X 30 MM | RIVET SNAPHEAD | NIET SCHELLKOPF |
| 16 | 14521000 JERNSPPLIT Ø2 X 12 MM | SPLIT PIN | EISENSPLINT |
| 17 | 501697 SPINDEL | SCREW | SPINDEL |
| 18 | 14411100 MØTRIK M16 | NUT | MUTTER |
| 19 | 501891 SPINDELMØTRIK | SPINDLE NUT | SPINDELMUTTER |
| 20 | 13840800 SMØRENIPPEL LIGE M6 X 1 MM | GREASE NIPPLE STRAIGHT | SCHMIERNIPPEL GERADE |
| 21 | 14431000 LÅSEMØTRIK M16 | LOCK NUT | GEGENMUTTER |
| 22 | 501890 SPINDELSTYR | SPINDLE GUIDE | SPINDELFÜHRUNG |
| 23 | 14440600 SVÆR SKIVE 17 X 30 X 3 MM | WASHER | SCHIBE |
| 24 | 490609 HOLDER FOR EL-BOX | HOLDER F/EL. BOX | HALTER F/EL.-KASTEN |
| 25 | 14085300 SÆTSKRUE GROV M8 X 16 MM | SET SCREW | SETZSCHRAUBE |
| 26 | 14450100 LET SKIVE 1/4" | WASHER | SCHIBE |
| 27 | 14430300 LÅSEMØTRIK M8 | LOCK NUT | GEGENMUTTER |
| 28 | 14410700 MØTRIK M12 | NUT | MUTTER |
| 29 | 14090300 SÆTSKRUE GROV M12 X 60 MM | SET SCREW | SETZSCHRAUBE |
| 30 | 14430700 LÅSEMØTRIK M12 | LOCK NUT | GEGENMUTTER |
| 31 | 461041 SVÆR SKIVE Ø35/Ø13 X 6 MM | THICK DISC | SCHWERE SCHEIBE |
| 32 | 501682 BESLAG FOR SKI VENSTRE | RUNNER MOUNTING LH | BESCHLAG F/KUFE L. |
| 33 | 14607414 PASFEDER 8 X 7 X 28 MM | KEY | PASSFEDER |
| 34 | 501901 AKSEL F/SKI Ø30 X 615 MM | SHAFT F/RUNNER | WELLE F/KUFE |
| 35 | 15178000 PLADEFLANGELEJE OVAL PTF 30 TF | PL.FLANGE BEARING, OVAL | PL.-FLANSCHLAGER, OVAL |
| 36 | 15107200 OVAL PLADEFLANGE PFT 62 | OVAL PLATE FLANGE | OVALER PLATTENFLANSCH |
| 37 | 15107900 LEJE F.FLANGE OG STÅLEJE YAR 206-2F | BEARING F/FLANGE+PED.B. | LAGER F/FL.+STEHLAGER |
| 38 | 15110900 SPORKUGLELEJE ENRÆK. 6006-2RS | STEP BALL BEARING 1-R. | SPURKUGELLAGER 1-REIH. |
| 39 | 14087500 SÆTSKRUE GROV M10 X 25 MM | SET SCREW | SETZSCHRAUBE |
| 40 | 14440400 SVÆR SKIVE 10.5 X 21 X 2 MM | WASHER | SCHIBE |
| 41 | 14430500 LÅSEMØTRIK M10 | LOCK NUT | GEGENMUTTER |
| 42 | 14480200 SPEC. SKIVE 25 X 8.5 X 2.0 MM | SPECIAL WASHER | SPEZIALSCHEIBE |
| 43 | 501079 STRAMMEBOLT | TIGHTENING BOLT | SPANNBOLZEN |
| 44 | 14783000 TRÆKFJEDER 1 ØJE 2 ENDER Ø3 X Ø22 | TENSION SPRING | ZIEHFEDER |
| 45 | 490611 KPL. KOBLINGSLED F. EL-STYRING | JOINT LINK CPL/EL.CONT. | KUP.GLIED KPL/EL-STEUE. |
| 46 | 15482200 YDERFJEDER FOR KOBLING | OUTER SPRING F/CLUTCH | AUSSENFEDER F/KUPPLUNG |
| 47 | 15482000 PAL FOR KOBLING | PAWL F/CLUTCH | NOCKEN F/KUPPLUNG |
| 48 | 501683 BESLAG FOR SKI HØVRE | RUNNER MOUNTING RH | BESCHLAG F/KUFE R. |
| 49 | 493863 DYBDEFØLER Ø16 X 510 MM | DEPTH FEELER | TIEFENFÜHLER |
| 50 | 14089800 SÆTSKRUE GROV M12 X 35 MM | SET SCREW | SETZSCHRAUBE |
| 51 | 14440500 SVÆR SKIVE 13 X 24 X 2.5 MM | WASHER | SCHIBE |
| 52 | 15110801 SPORKUGLELEJE ENRÆK. 6005-2RS | STEP BALL BEARING 1-R. | SPURKUGELLAGER 1-REIH. |



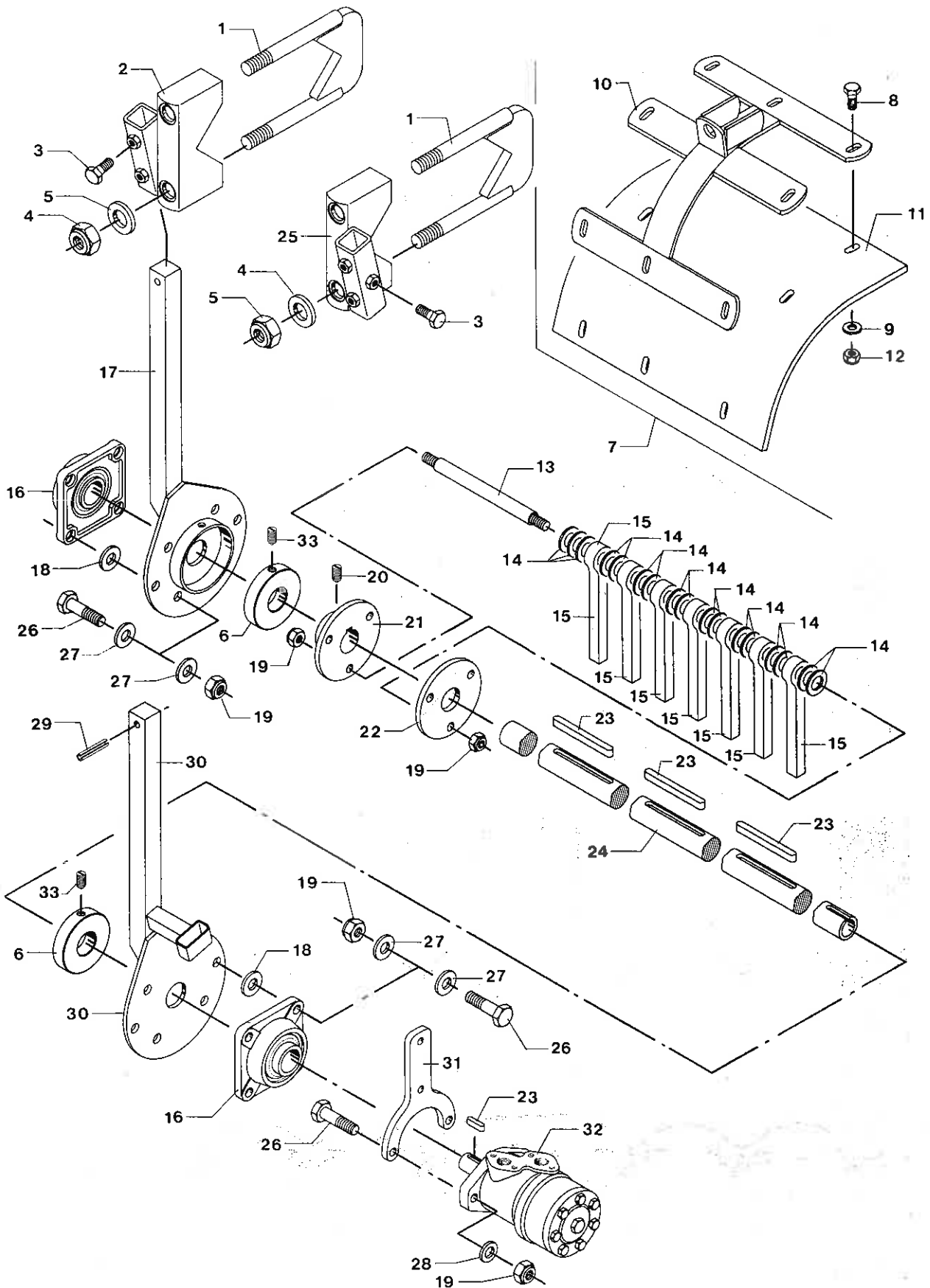
MIISA TE105 KRB/S 311 RE



| Afpudser | Scalper | Nachkoepfer |
|-------------|-------------------------------------|---|
| 1 490008 | BAGESTE BESLAG F. LEDESKINNE | REAR CLAMP F/GUIDE RAIL HINT. BESCHLAG/LEITSCH. |
| 2 477037 | BESLAG F/STYRING+AFPUDS. L=622 MM-D | FITTING F/SCALP.+STEER. BESCHL./NACHK.+STEUER. |
| 3 477038 | BESLAG F/AFPUDSER L=622 MM - D | FITTING F/SCALPER - D BESCHLAG F/NACHKOEPPER |
| 4 501296 | HOLDER F/LEDER + KNIV HØJRE | HOLDER F/GUIDE+KNIFE RH HALTER F/LEITER+MESS. R |
| 5 501295 | HOLDER F/LEDER + KNIV VENSTRE | HOLDER F/GUIDE+KNIFE LH HALTER F/LEITER+MESS. L |
| 6 501297 | VIPPEARM | FLAP ARM KIPPARM |
| 7 501003 | HØJRE LEDER KPL. | GUIDE RH CPL LEITER R KPL |
| 8 501004 | VENSTRE LEDER KPL. | GUIDE LH CPL LEITER L KPL |
| 9 477042 | OPSTANDER | UPRIGHT STAENDER |
| 10 501242 | HØJRE AFPUDSER MONT. PÅ AFTOPPER | SCALPER RH NACHKOEPPER R |
| 11 501243 | VENSTRE AFPUDSER MONT. PÅ AFTOPPER | SCALPER LH NACHKOEPPER L |
| 12 501010 | GAFFEL | CLEVIS GABEL |
| 13 501317 | AKSEL Ø14.7 X 220 MM | SHAFT WELLE |
| 14 501869 | AFSTANDSRØR Ø40 X 97 MM | SPACER ABSTANDROHR |
| 15 501321 | BOLT M/DRIVNIPPEL | BOLT W/DRIVE NIPPLE BOLZEN M/TRIEBNIPPEL |
| 16 501325 | KNIV VENSTRE F. AFPUDSER 501-661 | KNIFE LH F/SCALPER MESSER L. F/NACHKOEPPER |
| 17 501326 | KNIV HØJRE F. AFPUDSER 501-660 | KNIFE RH F/SCALPER MESSER R. F/NACHKOEPPER |
| 18 16000314 | GLIDELEJE 12 X 14 X 25 MM | SLIDE BEARING GLEITLAGER |
| 19 13840800 | SMØRENIPPEL LIGE M6 X 1 MM | GREASE NIPPLE STRAIGHT SCHMIERNIPPEL GERADE |
| 20 14045200 | MASKINBOLT GROV M10 X 120 MM | BOLT BOLZEN |
| 21 14085500 | SÆTSKRUE GROV M8 X 25 MM | SET SCREW SETZSCHRAUBE |
| 22 14090300 | SÆTSKRUE GROV M12 X 60 MM | SET SCREW SETZSCHRAUBE |
| 23 14162400 | TAPSÆTSKRUE GROV M16 X 35 MM | STUD SET SCREW ZAPFSETZSCHRAUBE |
| 24 14323700 | BREDEBOLT M10 X 25 MM | CARRIAGE BOLT BOLZEN |
| 25 14325100 | BREDEBOLT M12 X 25 MM | CARRIAGE BOLT BOLZEN |
| 26 14410700 | MØTRIK M12 | NUT MUTTER |
| 27 14411100 | MØTRIK M16 | NUT MUTTER |
| 28 14431400 | LÅSEMØTRIK M20 | LOCK NUT GEGENMUTTER |
| 30 14430500 | LÅSEMØTRIK M10 | LOCK NUT GEGENMUTTER |
| 31 14430700 | LÅSEMØTRIK M12 | LOCK NUT GEGENMUTTER |
| 32 14440500 | SVÆR SKIVE 13 X 24 X 2.5 MM | WASHER SCHEIBE |
| 33 14792600 | DOBB. PICK-UP FJEDER UDV. Ø4.5X310 | DOUB. OUTER SPRING DOPP. AUSSENFEDER |
| 34 14792700 | DOBB. PICK-UP FJEDER INDV. Ø4.5X310 | DOUB. INNER SPRING DOPP. INNENFEDER |
| 35 14792721 | DOBB. PICK-UP FJEDER INDV. Ø4.5X355 | DOUB. INNER SPRING DOPP. INNENFEDER |
| 36 15110400 | SPØRKUGLELEJE ENRÆK. 6004-RS | STEP BALL BEARING 1-R. SPØRKUGELLAGER 1-REIH. |
| 37 14440800 | SVÆR SKIVE 21 X 37 X 3 MM | WASHER SCHEIBE |
| 38 14440400 | SVÆR SKIVE 10.5 X 21 X 2 MM | WASHER SCHEIBE |
| 39 14085800 | SÆTSKRUE GROV M8 X 40 MM | SET SCREW SETZSCHRAUBE |
| 40 14430300 | LÅSEMØTRIK M8 | LOCK NUT GEGENMUTTER |



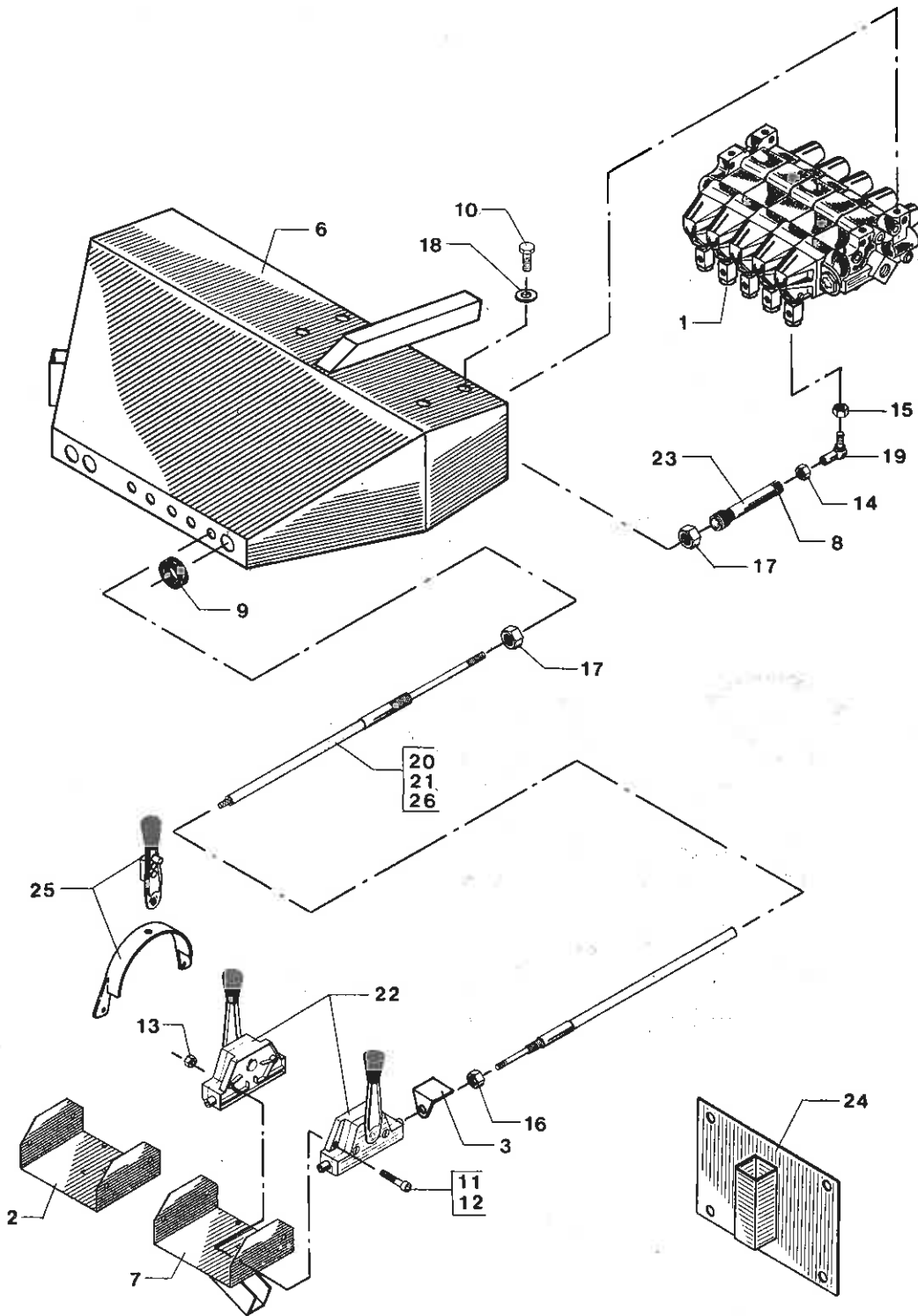
MIISA TE105 KRB/S 311 RE



| | Langsgående slaglepudser | Lengthw. going flails | Laengsputzer | |
|----|--------------------------|--------------------------------|-------------------------|-------------------------|
| 1 | 490008 | BAGESTE BESLAG F. LEDESKINNE | REAR CLAMP F/GUIDE RAIL | HINT. BESCHLAG/LEITSCH. |
| 2 | 501693 | BESLAG HØJRE | MOUNTING RH | BESCHLAG R. |
| 3 | 14162400 | TAPSÆTSKRUE GROV M16 X 35 MM | STUD SET SCREW | ZAPFSETZSCHRAUBE |
| 4 | 14431400 | LÅSEMØTRIK M20 | LOCK NUT | GEGENMUTTER |
| 5 | 14440800 | SVÆR SKIVE 21 X 37 X 3 MM | WASHER | SCHEIBE |
| 6 | 494948 | TEJNINGSSKIVE Ø90/Ø35 X 20 MM | SEAL WASHER | DICHTSCHEIBE |
| 7 | 420217 | GUMMISKÆRM OVER PUDSER KPL. | RUBBER GUARD OV/CL. CPL | GUMMISCHIRM UE/PUTZ.KPL |
| 8 | 14085600 | SÆTSKRUE GROV M8 X 30 MM | SET SCREW | SETZSCHRAUBE |
| 9 | 14482800 | SPEC. SKIVE 35 X 8.5 X 3 MM | SPECIAL WASHER | SPEZIALSCHEIBE |
| 10 | 501691 | BØJLE | BOW | BUEGEL |
| 11 | 2380018 | GUMMISKÆRM 400 X 370 X 10 MM | RUBBER GUARD | GUMMISCHIRM |
| 12 | 14430300 | LÅSEMØTRIK M8 | LOCK NUT | GEGENMUTTER |
| 13 | 501770 | AKSEL Ø19 X 230 MM | SHAFT | WELLE |
| 14 | 14440800 | SVÆR SKIVE 21 X 37 X 3 MM | WASHER | SCHEIBE |
| 15 | 17868100 | LANGSGÅENDE SLAGLEPUDSER | LENGTHW. RUBBER FLAILS | LAENGSPUTZER |
| 16 | 15108070 | LEJE M/LÅSERING, SPEC. PAKNING | BEARING W/CLAMP RING | LAGER M/SPANNRING |
| 16 | 15106700 | LEJEHUS F. FLANGELEJE FY 507M | FLANGED BEARING HOUSING | GEHAUSE/FLANSCHENLAGER |
| 16 | 15162302 | FLANGELEJE FY 35 WR | FLANGED BEARING | FLANSCHENLAGER |
| 17 | 501690 | HØJRE LEJEPLADE | RH BEARING PLATE | R. LAGERPLATTE |
| 18 | 461041 | SVÆR SKIVE Ø35/Ø13 X 6 MM | THICK DISC | SCHWERE SCHEIBE |
| 19 | 14430700 | LÅSEMØTRIK M12 | LOCK NUT | GEGENMUTTER |
| 20 | 14285400 | UNBRACO MSP M10 X 16 MM | UNBRACO SCREW | UNBRACOSCHRAUBE |
| 21 | 501178 | FLANGE M/BØSNING | FLANGE W/BUSH | FLANSCH M/BUCHSE |
| 22 | 501766 | FLANGE | FLANGE | FLANSCH |
| 23 | 14608355 | PASFEDER 10 X 8 X 110 MM | KEY | PASSFEDER |
| 24 | 490826 | DASKERAKSEL Ø35 X 1560 MM | PADDLE SHAFT | PADDELWELLE |
| 25 | 501694 | BESLAG VENSTRE | MOUNTING LH | BESCHLAG L. |
| 26 | 14090000 | SÆTSKRUE GROV M12 X 45 MM | SET SCREW | SETZSCHRAUBE |
| 27 | 14440500 | SVÆR SKIVE 13 X 24 X 2.5 MM | WASHER | SCHEIBE |
| 28 | 14453000 | SVÆR SKIVE 1/2" | WASHER | SCHEIBE |
| 29 | 14578500 | RØRSPÆNDESTIFT Ø10 X 40 MM | DOWEL | ROHRSPANNSTIFT |
| 30 | 490830 | VENSTRE LEJEPLADE | LH BEARING PLATE | L. LAGERPLATTE |
| 31 | 492979 | BESLAG F. OLIEMOTOR | FITTING F. OIL MOTOR | BESCHLAG F. OELMOTOR |
| 32 | 13718332 | OLLIEMOTOR OMP 32 | OIL MOTOR | OELMOTOR |
| 32 | 13719800 | PAKNINGSSET ALLE OMP | PACKING SET | DICHTSATZ |
| 33 | 14284500 | UNBRACO MSP M8 X 16 MM | UNBRACO SCREW | UNBRACOSCHRAUBE |



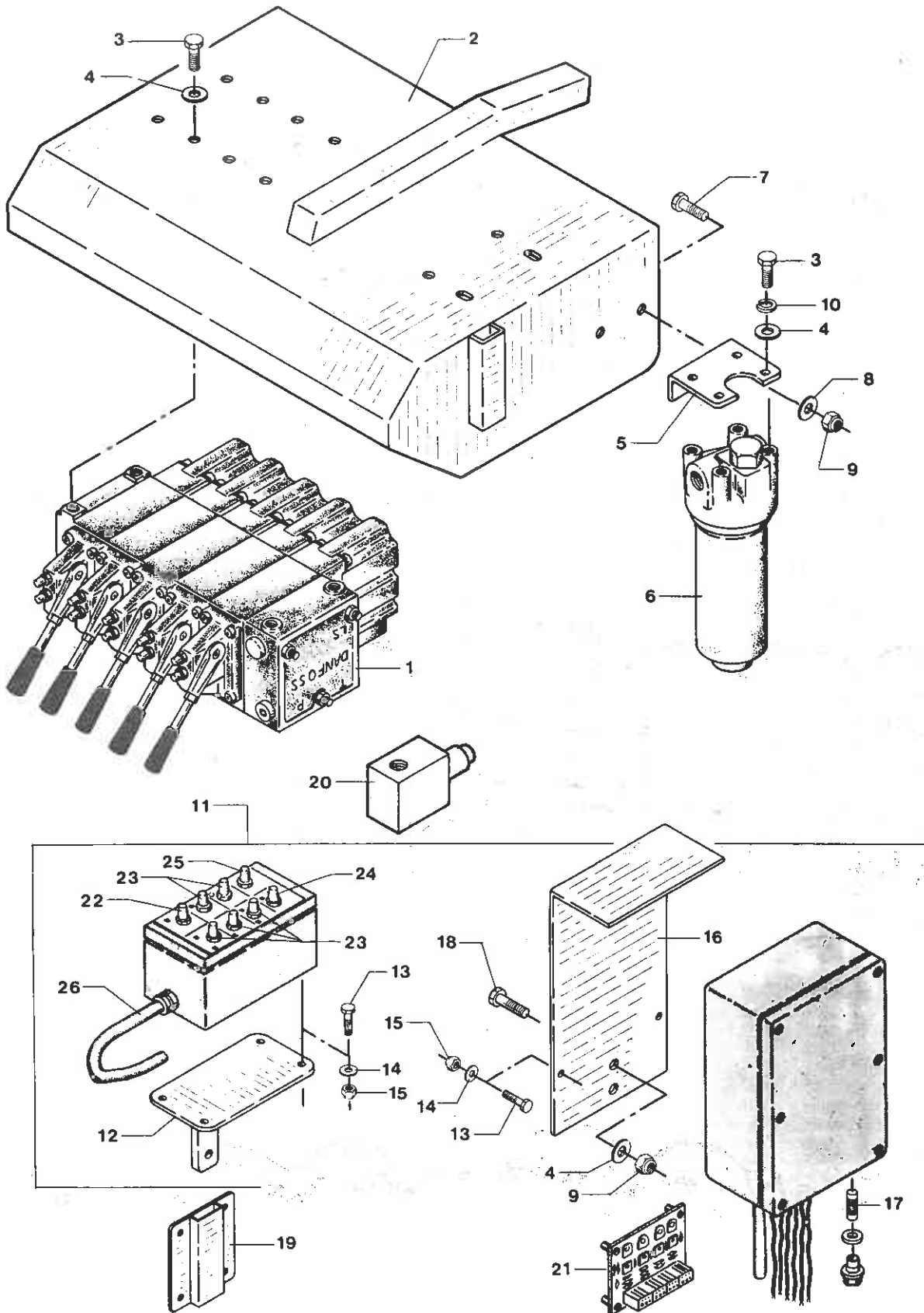
MIISA TE105 KRB/S 311 RE



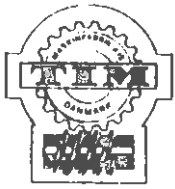
| Kabeltræk | Cable control | Kabelbedienung |
|-------------|-------------------------------------|-------------------------|
| 1 | SIDE 70.0 | PAGE 70.0 |
| 2 501578 | MONTAGEPLADE F. HÅNDTAG | MOUNTING PLATE F/HANDLE |
| 3 501607 | HOLDER F. FUNKTIONSTEGN | SIGN HOLDER |
| 6 501643 | HOLDER F. 7 FUNKTIONER | HOLDER F. 7 FUNCTIONS |
| 7 501644 | HOLDER FOR HÅNDTAG | HANDLE HOLDER |
| 8 15839903 | PLASTMØTRIK M12 X 1 MM | PLASTIC NUT |
| 9 13231500 | GUMMITYLLE Ø45/Ø25 X 7 X 1 MM | RUBBER BUSH |
| 10 14085300 | SÆTSKRUE GROV M8 X 16 MM | SET SCREW |
| 11 14254900 | UNBRACO MC 6 X 16 MM | UNBRACO SCREW |
| 12 14255300 | UNBRACO MC 6 X 25 MM | UNBRACO SCREW |
| 13 14430100 | LÅSEMØTRIK M6 | LOCK NUT |
| 14 14410400 | MØTRIK M8 | NUT |
| 15 14410600 | MØTRIK M10 | NUT |
| 16 14412850 | MØTRIK MF10 X 1 MM | NUT |
| 17 14413050 | MØTRIK MF14 X 1 MM | NUT |
| 18 14450100 | LET SKIVE 1/4" | WASHER |
| 19 14864100 | VINKELENDER 90GR. FORM AS M10 X M8 | ELBOW END |
| 20 15839831 | KABEL L=3100 MM | CABLE |
| 21 15839838 | KABEL L=3800 MM | CABLE |
| 22 15839901 | HÅNDTAGSHUS KPL. | HANDLE HOUSING CPL. |
| 23 15839904 | METALBØSNING | METAL BUSH |
| 24 471274 | HOLDER F. FJERNBETJENING PÅ TRAKTOR | REMOTE CONT. HOL./TRAC. |
| 25 15836000 | LÅSEBESLAG KPL. | LOCK MOUNTING CPL |
| 26 15839850 | KABEL L=5000 MM | CABLE |
| | | SEITE 70.0 |
| | | MONTAGEPLATTE F/HANDGR. |
| | | ZEICHENHALTER |
| | | HALTER F. 7 FUNKTIONEN |
| | | HALTER F. HANDGRIFF |
| | | PLASTIKMUTTER |
| | | GUMMIMANSCHETTE |
| | | SETZSCHRAUBE |
| | | UNBRACOSCHRAUBE |
| | | UNBRACOSCHRAUBE |
| | | GEGENMUTTER |
| | | MUTTER |
| | | MUTTER |
| | | MUTTER |
| | | MUTTER |
| | | SCHEIBE |
| | | WINKELENDE |
| | | KABEL |
| | | KABEL |
| | | HANDGRIFFGEHÄUSE KPL. |
| | | METALLBUCHSE |
| | | FERNBED.-HALTER/SCHLEP. |
| | | SCHLOSSBESCHLAG KPL. |
| | | KABEL FÜR MB-TRACK |



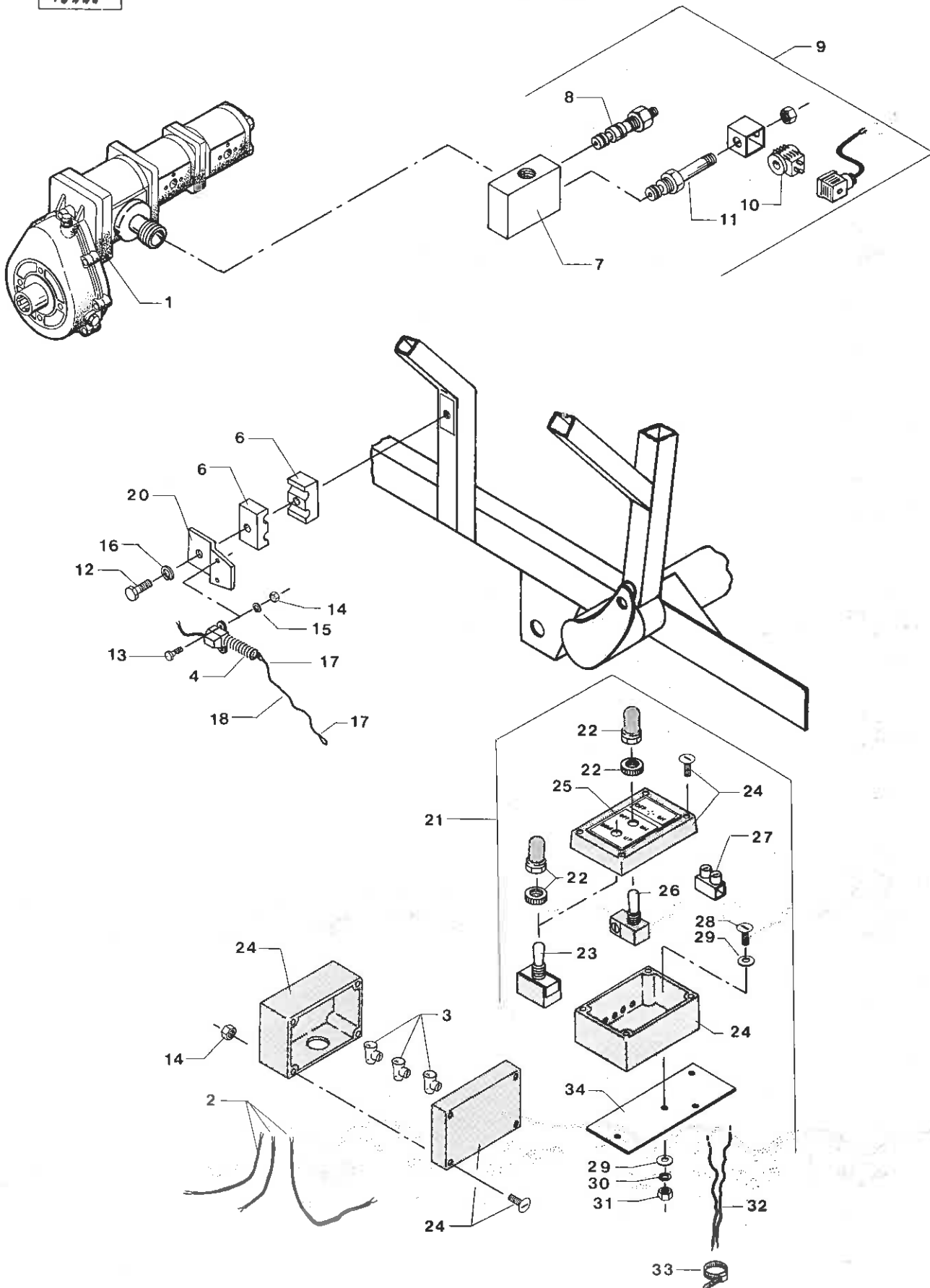
MIISA TE105 KRB/S 311 RE



| El-box | Electric box | El.-kasten |
|-------------|-------------------------------------|-------------------------|
| 1 | SIDE 72.0 | PAGE 72.0 |
| 2 502429 | BOKS F/EL. VENTILCENTRAL | SEITE 72.0 |
| 3 14085300 | SETSKRUE GROV M8 X 16 MM | BOX F/EL. VALVE BLOCK |
| 4 14450100 | LET SKIVE 1/4" | KASTEN F/EL.STEUERBLOCK |
| 5 502433 | HOLDER F/FILTER | SET SCREW |
| 6 13709500 | SUGEFILTER KPL. 80 LITER | WASHER |
| 6 13709501 | FILTERINDSATS 80 LITER | HOLDER F/FILTER |
| 7 14085400 | SETSKRUE GROV M8 X 20 MM | SUCTION FILTER CPL. |
| 8 14440400 | SVER SKIVE 10.5 X 21 X 2 MM | FILTER INSERT |
| 9 14430300 | LÅSEMØTRIK M8 | SET SCREW |
| 10 14462500 | CENTERFJEDERSKIVE M8 | WASHER |
| 11 502479 | MONT. ELBOX F/MAGNETVENTILCENTRAL | LOCK NUT |
| 12 502430 | BESLAG F. BETJENINGSBOKS | SPRING WASHER |
| 13 14182600 | JERNMASKINSKRUE M4 X 12 MM | EL.BOX ASSY F/MAGNET V. |
| 14 14462100 | CENTERFJEDERSKIVE M4 | FITTING F/CONTROL BOX |
| 15 14410000 | MØTRIK M4 | SCREW |
| 16 445152 | UNDERLAG FOR EL-DÅSE | SPRING WASHER |
| 17 12888516 | FINSIKRING 16.0 AMP. 5 X 20 MM | NUT |
| 18 14085900 | SETSKRUE M8 X 45 MM | SUPPORT F/EL. BOX |
| 19 502435 | HOLDER F/BETJENINGSBOKS PÅ TRAKTOR | FINE CUT-OUT |
| 20 13770872 | SIKKERHEDSVENTIL 25 BAR | SET SCREW |
| 20 13770897 | VENTILBLOK 3/4" BSP | CONTR. BOX HOLDER/TRAC. |
| 21 12905201 | PROPORTIONALPRINTPLADE 12V | SAFETY VALVE |
| 22 12530500 | VIPPEKONTAKT 2-POLET MON.-OFF-MON. | VALVE BLOCK |
| 22 12530001 | GUMMIHÆTTE F. KONTAKT | PROPORT. CIRCUIT BOARD |
| 23 12530600 | VIPPEKONTAKT 1-POLET MON.-OFF-MON. | TILT SWITCH |
| 23 12530001 | GUMMIHÆTTE F. KONTAKT | RUBBER CAP |
| 24 12530000 | VIPPEKONTAKT 1-POLET ON-OFF | TILT SWITCH |
| 24 12530001 | GUMMIHÆTTE F. KONTAKT | RUBBER CAP |
| 25 12530300 | VIPPEKONTAKT 1-POLET ON-OFF-MON. | TILT SWITCH |
| 25 12530001 | GUMMIHÆTTE F. KONTAKT | RUBBER CAP |
| 26 12506000 | STYREKABEL M/GRÅ KAPPE 1.00KVD 18-L | CONTROL CABLE W/GREY C. |
| | | ST.-KABEL M/GRÅU. DECK. |



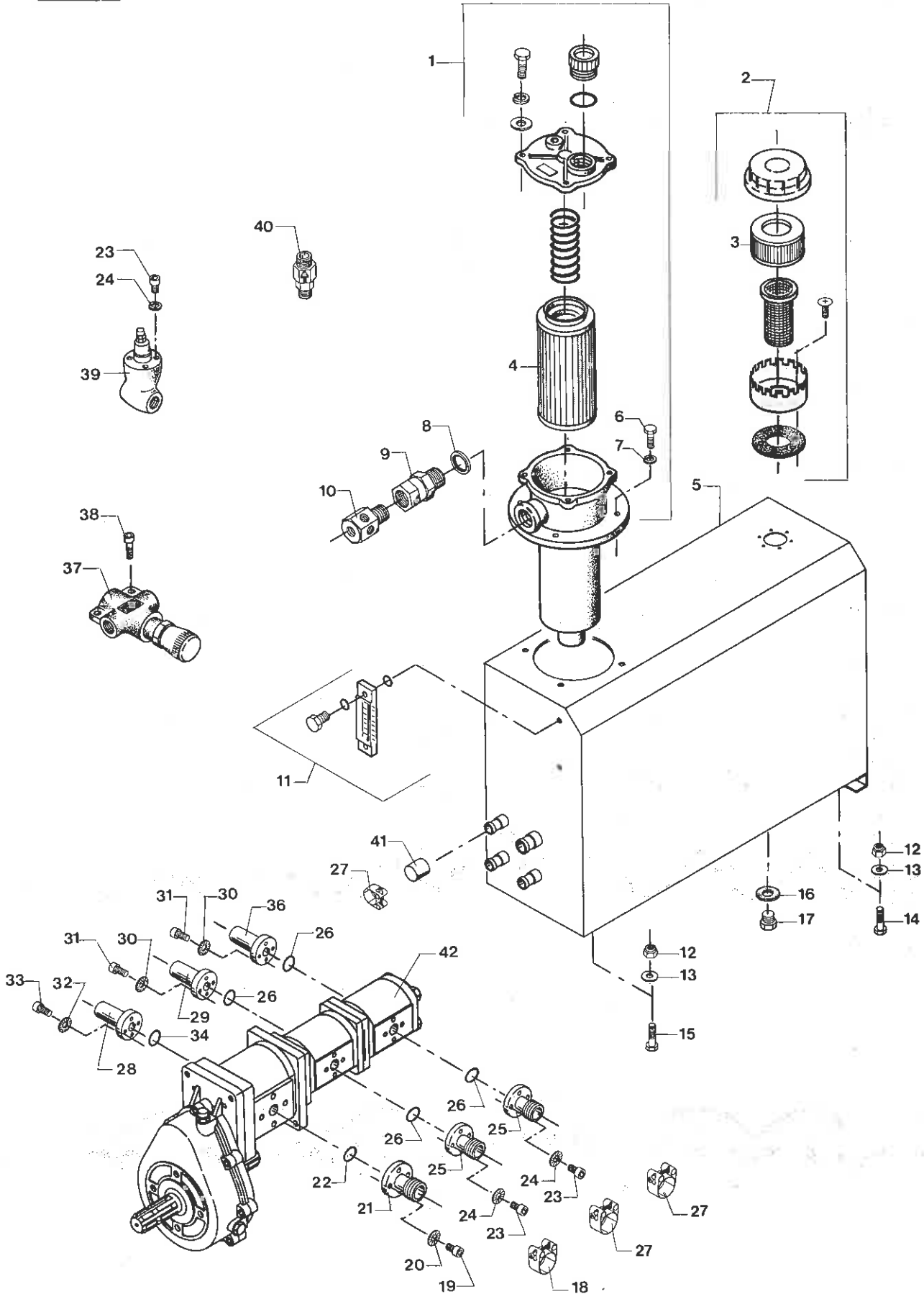
MIISA TE105 KRB/S 311 RE



| El-diagram for elevator | El. diagram f/elevator | Schaltschema f/Elevator |
|-------------------------|-------------------------------------|-------------------------|
| 1 | SIDE 19.0 | PAGE 19.0 |
| 2 12504400 | PVC-KABEL 0.75 KVD. 2-LEDET | PVC-CABLE |
| 3 12523500 | SAMLEMUFFE | CONN. MUFF |
| 4 12531300 | STOPLYSKONTAKT M/FJEDER | STOP LIGHT SWI. W/SPRI. |
| 6 13482102 | HALVPART F. RØRHOLDER 18 MM | PIPE HOLDER HALF |
| 7 13739900 | VENTILHUS | VALVE HOUSING |
| 8 13771575 | OVERTRYKSPATRON 180 BAR | EXCESS-PRESSURE VALVE |
| 9 13790200 | HY.EL. VENTIL M/OVERTR.VENT.180 BAR | HY.EL.VALVE W/EXC.PR.V. |
| 10 13792201 | SPOLE 12V DC | SPOOL 12V DC |
| 11 13792202 | PATRONVENTIL | CARTRIDGE VALVE |
| 12 14042300 | MASKINBOLT GROV M8 X 35 MM | BOLT |
| 13 14182700 | JERNMASKINSKRUE M4 X 16 MM | SCREW |
| 14 14410000 | MØTRIK M4 | NUT |
| 15 14462100 | CENTERFJEDERSKIVE M4 | SPRING WASHER |
| 16 14462300 | CENTERFJEDERSKIVE M6 | SPRING WASHER |
| 17 14850300 | WIREKLEMMER 3 MM | WIRE CLIP |
| 18 15330100 | WIRE PVC OVERTRUKKET 1.3 MM/2.3 MM | WIRE, PVC COATED |
| 20 419767 | BESLAG F. ELKONTAKT | FITTING F. SWITCH |
| 21 502298 | SÆT EL-STYR. F. HYDR. ELEVATOR | SET EL.CTRL.F/HYDR.ELEV |
| 22 12530001 | GUMMIHÆTTE F. KONTAKT | RUBBER CAP |
| 23 12530000 | VIPPEKONTAKT 1-POLET ON-OFF | TILT SWITCH |
| 24 12644000 | PLASTIKKASSE 105 X 70 X 45 MM | PLASTIC BOX |
| 25 12414602 | TRANSFER EL-STYRING "OFF - ON" | TRANSFER EL. CONTROL |
| 26 12530500 | VIPPEKONTAKT 2-POLET MON.-OFF-MON. | TILT SWITCH |
| 27 12523500 | SAMLEMUFFE | CONN. MUFF |
| 28 14182700 | JERNMASKINSKRUE M4 X 16 MM | SCREW |
| 29 14440000 | SVÆR SKIVE 5.3 X 10 X 1 MM | WASHER |
| 30 14462100 | CENTERFJEDERSKIVE M4 | SPRING WASHER |
| 31 14410000 | MØTRIK M4 | NUT |
| 32 12504400 | PVC-KABEL 0.75 KVD. 2-LEDET | PVC-CABLE |
| 33 12526700 | KABELBÅND 170 MM LANG | CABLE BAND |
| 34 502354 | MONTAGEPLADE F. EL-BOX | MOUNTING PL. F. EL-BOX |
| | | SEITE 19.0 |
| | | PVC-KABEL |
| | | SAMMELMUFFE |
| | | STOPPLICHTSCHAL. M/FED. |
| | | ROHRHALTER-HALBTEIL |
| | | VENTILGEHÆUSE |
| | | UEBERDRUCKVENTIL |
| | | HY.EL.VENTIL M/UEBERDR. |
| | | SPULE 12V DC |
| | | PATRONVENTIL |
| | | BOLZEN |
| | | SCHRAUBE |
| | | MUTTER |
| | | FEDERSCHEIBE |
| | | FEDERSCHEIBE |
| | | DRAHTKLEMME |
| | | STAHLDRAHT, PVC-UEBERZ. |
| | | BESCHLAG F. SCHALTER |
| | | SATZ EL-ST.F/HYDR.ELEV. |
| | | GUMMIKAPPE |
| | | KIPPSCHALTER |
| | | PLASTIKKASTEN |
| | | AUFKLEBER EL.-STEUER. |
| | | KIPPSCHALTER |
| | | SAMMELMUFFE |
| | | SCHRAUBE |
| | | SCHEIBE |
| | | FEDERSCHEIBE |
| | | MUTTER |
| | | PVC-KABEL |
| | | KABELBAND |
| | | ANBAUPLATTE F/EL-KASTEN |



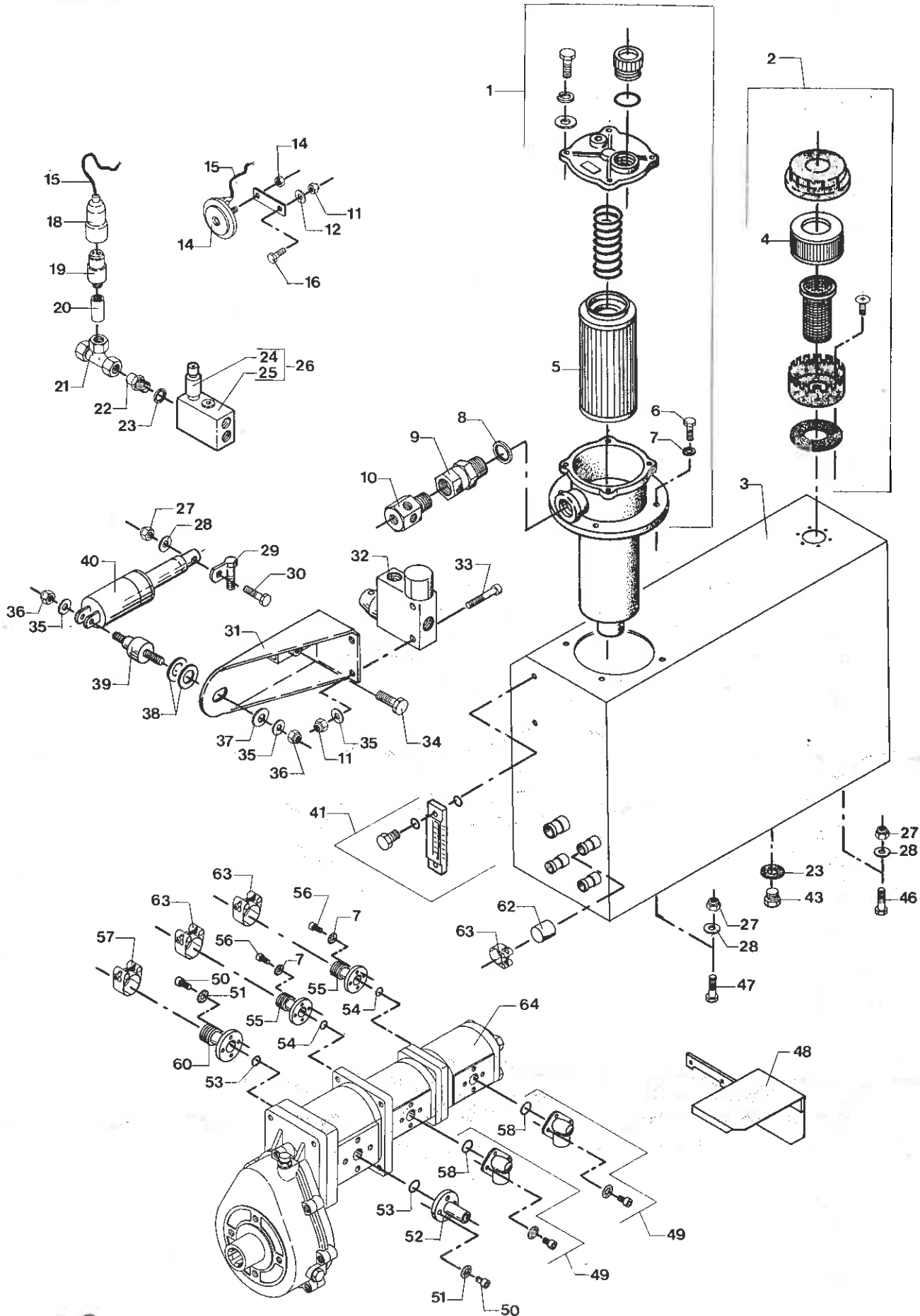
MIISA TE105 KRB/S 311 RE



| | Tank for forreste hydr. del | Tank f/front hydr. | Bunker f/Vorderes hydr. |
|----|-----------------------------|-------------------------------------|-------------------------|
| 1 | 13708700 | RETURFILTER KPL. 160 L/MIN | RETURN FILTER CPL |
| 2 | 13711400 | PÅFYLDNINGS-/LUFTFILTER M/SI | FILLER/AIR FILTER W/SI. |
| 3 | 13711401 | LUFTFILTERINDSATS | AIR FILTER INSERT |
| 4 | 13708701 | RETURFILTERINDSATS | RETURN FILTER INSERT |
| 5 | 477258 | HYDRAULIKTANK - VENSTRE | HYDR. CONTAINER - LH |
| 6 | 14087400 | SETSKRUE GROV M10 X 20 MM | SET SCREW |
| 7 | 14462500 | CENTERFJEDERSKIVE M8 | SPRING WASHER |
| 8 | 13257500 | PAKNINGSRING Ø1 1/2" | SEAL RING |
| 9 | 13408910 | NIPPEL M/OML. 1 1/2"OML.X 1 1/2"BSP | NIPPLE W/SCREW CAP |
| 10 | 419200 | FORSKRUNING F/FILTER | CONNECTION F/FILTER |
| 11 | 13711900 | OLIESTANDSGLAS | OIL LEVEL GLASS |
| 12 | 14430500 | LÅSEMØTRIK M10 | LOCK NUT |
| 13 | 14440400 | SVER SKIVE 10.5 X 21 X 2 MM | WASHER |
| 14 | 14088400 | SETSKRUE GROV M10 X 70 MM | SET SCREW |
| 15 | 14087500 | SETSKRUE GROV M10 X 25 MM | SET SCREW |
| 16 | 13257200 | PAKNINGSRING Ø1/2" | SEAL RING |
| 17 | 13431301 | HYDR. RØRPROP 1/2" BSP | HYDR. PIPE PLUG |
| 18 | 14879312 | SPENDEBÅND 40 X 45 MM | CLIP |
| 19 | 14258400 | UNBRACO MC 10 X 25 MM | UNBRACO SCREW |
| 20 | 14460500 | FJEDERSKIVE M8 | SPRING WASHER |
| 21 | 477087 | FLANGE Ø34 MM (Ø79 X 60 MM) | FLANGE |
| 22 | 13314300 | O-RING 31.20 X 3.00 MM | O-RING |
| 23 | 14256600 | UNBRACO MC 8 X 20 MM | UNBRACO SCREW |
| 24 | 14462500 | CENTERFJEDERSKIVE M8 | SPRING WASHER |
| 25 | 477088 | FLANGE Ø27 MM (Ø54 X 60 MM) | FLANGE |
| 26 | 13313523 | O-RING Ø23.52 X 1.78 MM | O-RING |
| 27 | 14879310 | SPENDEBÅND 35 X 40 MM | CLIP |
| 28 | 477089 | FLANGE Ø22 MM (Ø79 X 60 MM) | FLANGE |
| 29 | 493793 | FLANGE Ø18 MM (Ø54 X 50) | FLANGE |
| 30 | 14460500 | FJEDERSKIVE M8 | SPRING WASHER |
| 31 | 14256800 | UNBRACO MC 8 X 25 MM | UNBRACO SCREW |
| 32 | 14462600 | CENTERFJEDERSKIVE M10 | SPRING WASHER |
| 33 | 14258400 | UNBRACO MC 10 X 25 MM | UNBRACO SCREW |
| 34 | 13314300 | O-RING 31.20 X 3.00 MM | O-RING |
| 36 | 492785 | FLANGE Ø54 X 50 MM | FLANGE |
| 37 | 13732201 | MENGERREGULERINGSVENTIL 2RCR-MOB | QUANTITY CONTROL VALVE |
| 37 | 503110 | O-RINGSÆT FOR 137-32201 | O-RING SET |
| 38 | 14255600 | UNBRACO MC 6 X 40 MM | UNBRACO SCREW |
| 39 | 13770801 | OVERTRYKSVENTIL 1/2" VMP | EXCESS-PRESSURE VALVE |
| 40 | 13738500 | KONTRAVENTIL 15 MM - DK | NON-RETURN VALVE - DK |
| 41 | 2381303 | PROP V/HYDR. TANK Ø35 X 5 X 40 MM | PLUG |
| 42 | | SIDE 18.0 | PAGE 18.0 |
| | | | SEITE 18.0 |



MIISA TE105 KRB/S 311 RE



Tank for bageste hydr. del

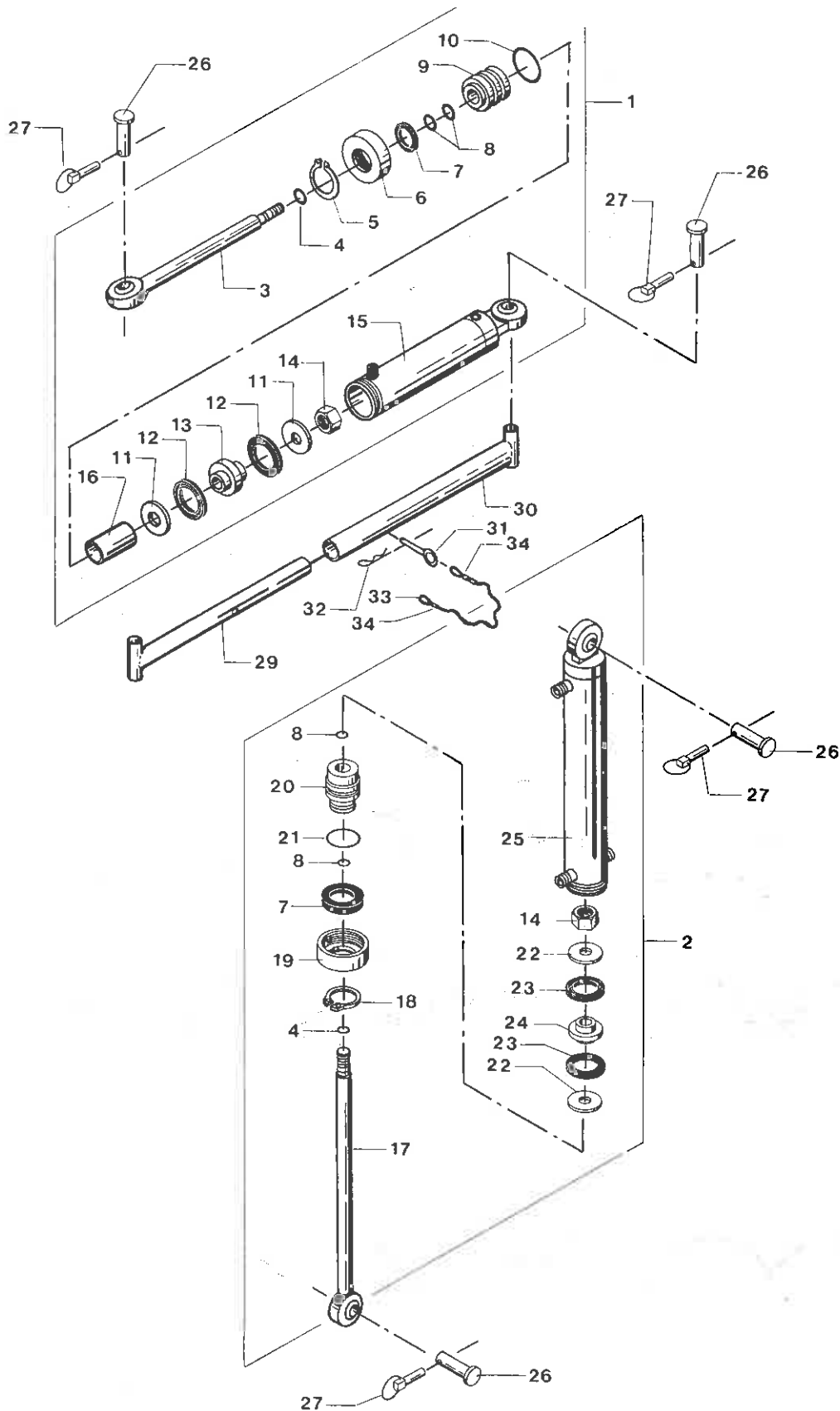
Tank f/rear hydr.

Bunker f/Hinteres hydr.

| | | | |
|-------------|-------------------------------------|-------------------------|-------------------------|
| 1 13708700 | RETURFILTER KPL. 160 L/MIN | RETURN FILTER CPL | RUECKLAUFFILTER KPL |
| 2 13711400 | PÄFYLDNINGS-/LUFTFILTER M/SI | FILLER/AIR FILTER W/SI. | FUELL/LUFTFILTER M/SIEB |
| 3 477259 | HYDRAULIKTANK - HØJRE | HYDR. CONTAINER - RH | HYDR. BEHAELTER - R. |
| 4 13711401 | LUFTFILTERINDSATS | AIR FILTER INSERT | LUFTFILTEREINSATZ |
| 5 13708701 | RETURFILTERINDSATS | RETURN FILTER INSERT | RUECKFILTEREINSATZ |
| 6 14087400 | SÆTSKRUE GROV M10 X 20 MM | SET SCREW | SETZSCHRAUBE |
| 7 14462500 | CENTERFJEDERSKIVE M8 | SPRING WASHER | FEDERSCHEIBE |
| 8 13257500 | PAKNINGSRING Ø1 1/2" | SEAL RING | DICHTRING |
| 9 13408910 | NIPPEL M/OML. 1 1/2"OML.X 1 1/2"BSP | NIPPLE W/SCREW CAP | NIPPEL M/UEBERW.MUTTER |
| 10 419200 | FORSKRUNING F/FILTER | CONNECTION F/FILTER | VERSCHRAUBUNG F/FILTER |
| 11 14430100 | LÅSEMØTRIK M6 | LOCK NUT | GEGENMUTTER |
| 12 14440100 | SVÆR SKIVE 6.4 X 12.5 X 1.6 MM | WASHER | SCHIBE |
| 14 12804010 | SIGNALHORN 12V | HORN | HUPE |
| 15 12504400 | PVC-KABEL 0.75 KVD. 2-LEDET | PVC-CABLE | PVC-KABEL |
| 16 14083900 | SÆTSKRUE GROV M6 X 20 MM | SET SCREW | SETZSCHRAUBE |
| 18 12531099 | BESKYTTELSESHÆTTE | PROTECTION CAP | SCHUTZKRAPPE |
| 19 12531020 | HYDR. EL-KONTAKT 50-150 BAR | HYDR. ELECTRIC SWITCH | HYDR. EL.-SCHALTER |
| 20 445203 | OVERGANGSSTYKKE Ø15 X 50 MM | CONNECTING PIECE | UEBERGANGSSTUECK |
| 21 13410300 | T-STYKKE M/OML. + SKÆRER. Ø15 MM | T-PIECE W/SCR.CAP+RING | T-STUECK M/UE.M.+RING |
| 22 13473400 | RØRSTUDS 1/2" BSP X Ø15 MM | PIPE STUB | ROHRSTUTZEN |
| 23 13257200 | PAKNINGSRING Ø1/2" | SEAL RING | DICHTRING |
| 24 13770899 | OVERTRYKSPATRON F/137-70830 | EXCESS-PRESSURE VALVE | UEBERDRUCKVENTIL |
| 25 13770898 | VENTILBLOK | VALVE BLOCK | STUEUERBLOCK |
| 26 13770830 | OVERTRYKSVENTIL KPL. | EXCESS-PRESS. VALVE CPL | UEBERDRUCKVENTIL KPL. |
| 27 14430500 | LÅSEMØTRIK M10 | LOCK NUT | GEGENMUTTER |
| 28 14440400 | SVÆR SKIVE 10.5 X 21 X 2 MM | WASHER | SCHIBE |
| 29 419170 | ARM F/SERVOCYLINDER | ARM F/SERVO CYLINDER | ARM F/SERVOZYLINDER |
| 30 14044000 | MASKINBOLT GROV M10 X 40 MM | BOLT | BOLZEN |
| 31 419062 | KONSOL F. KONTROLVENTIL | BRACKET F/CONTROL VALVE | TRAEGER F/KONTR.-VENTIL |
| 32 13733900 | TRYKKOMPENS.FLOW REG.VENTIL 210 BAR | PRES. COMP. FLOW REGUL. | DRUCKAUSGLEICHREGLER |
| 33 14255800 | UNBRACO MC 6 X 50 MM | UNBRACO SCREW | UNBRACOSCHRAUBE |
| 34 14159700 | TAPSETSKRUE GROV M10 X 20 MM | STUD SET SCREW | ZAPFSETZSCHRAUBE |
| 35 14450100 | LET SKIVE 1/4" | WASHER | SCHIBE |
| 36 14430300 | LÅSEMØTRIK M8 | LOCK NUT | GEGENMUTTER |
| 37 14480200 | SPEC. SKIVE 25 X 8.5 X 2.0 MM | SPECIAL WASHER | SPEZIALSCHIBE |
| 38 14482800 | SPEC. SKIVE 35 X 8.5 X 3 MM | SPECIAL WASHER | SPEZIALSCHIBE |
| 39 419169 | TAP F/SERVOCYLINDER | STUD F/SERVO CYLINDER | ZAPFEN F/SERVOZYLINDER |
| 40 13746800 | EL.-HYDR. ACTUATOR | EL.-HYDR. ACTUATOR | EL.-HYDR. BETAETIGER |
| 41 13711900 | OLIESTANDSGLAS | OIL LEVEL GLASS | OELSTANDGLAS |
| 43 13431301 | HYDR. RØRPROP 1/2" BSP | HYDR. PIPE PLUG | HYDR. ROHRPROPFEN |
| 46 14088400 | SÆTSKRUE GROV M10 X 70 MM | SET SCREW | SETZSCHRAUBE |
| 47 14087500 | SÆTSKRUE GROV M10 X 25 MM | SET SCREW | SETZSCHRAUBE |
| 48 477232 | SKÆRM | GUARD | SCHIRM |
| 49 13717305 | VINKELFLANGE 1/2" (2 BOLT) | RIGHT-ANGLE FLANGE | WINKELFLANSCH |
| 50 14258400 | UNBRACO MC 10 X 25 MM | UNBRACO SCREW | UNBRACOSCHRAUBE |
| 51 14460500 | FJEDERSKIVE M8 | SPRING WASHER | FEDERSCHEIBE |
| 52 477089 | FLANGE Ø22 MM (Ø79 X 60 MM) | FLANGE | FLANSCH |
| 53 13314300 | O-RING 31.20 X 3.00 MM | O-RING | O-RING |
| 54 13313523 | O-RING Ø23.52 X 1.78 MM | O-RING | O-RING |
| 55 477088 | FLANGE Ø27 MM (Ø54 X 60 MM) | FLANGE | FLANSCH |
| 56 14256600 | UNBRACO MC 8 X 20 MM | UNBRACO SCREW | UNBRACOSCHRAUBE |
| 57 14879312 | SPÆNDEBÅND 40 X 45 MM | CLIP | SPANNBAND |
| 60 477087 | FLANGE Ø34 MM (Ø79 X 60 MM) | FLANGE | FLANSCH |
| 62 2381303 | PROP V/HYDR. TANK Ø35 X 5 X 40 MM | PLUG | PROPFEN |
| 63 14879310 | SPÆNDEBÅND 35 X 40 MM | CLIP | SPANNBAND |
| 64 | SIDE 19.0 | PAGE 19.0 | SEITE 19.0 |



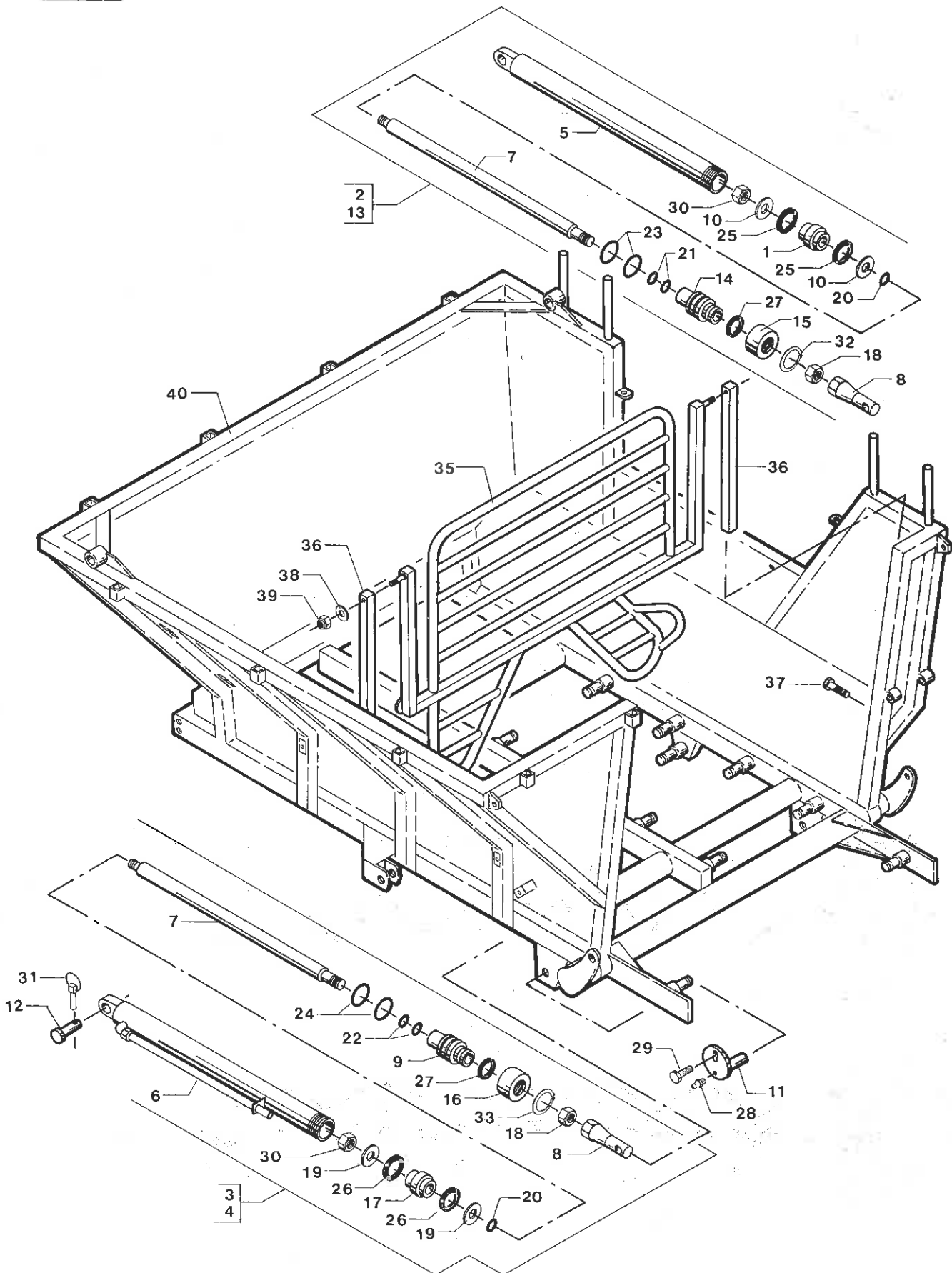
MIISA TE105 KRB/S 311 RE



| Stjært- og dybdecylinder | Drawb. + depth ram | Deichs.- + Tiefenzylinder |
|--------------------------|-------------------------------------|---------------------------|
| 1 350637 | CYLINDER D75/30 - 615/795 | CYLINDER |
| 1 490227 | PAKNINGSSÆT D75/30 | GASKET SET |
| 2 350631 | DYB.REG. CYLINDER D-65/30-404 | DEPTH CONTROL RAM |
| 2 471283 | PAKNINGSSÆT D65/30 | GASKET SET |
| 3 350636 | STEMPELSTANG Ø30 X 465 MM | PISTON ROD |
| 4 13312000 | O-RING Ø19.2 X 3 MM | O-RING |
| 5 14653300 | SEEGERRING UDV. Ø68 MM | CIRCLIP |
| 6 491652 | TOPMØTRIK Ø106/Ø56X32 MM | TOP NUT |
| 7 13387000 | AFSTRYGER 30 X 40 X 7/10 MM | WIPER |
| 8 13314000 | O-RING Ø29.75 X 3.53 MM | O-RING |
| 9 491636 | STEMPELSTYR Ø75/Ø30 | PISTON GUIDE |
| 10 13317500 | O-RING Ø64.2 X 5.7 MM | O-RING |
| 11 471469 | SKIVE F. CYL. Ø74/Ø25.5 X 6 MM | WASHER F. CYLINDER |
| 12 13345400 | NUTRING 55 X 75 X 12 MM | OIL SEAL |
| 13 492167 | MANCHETHOLDER Ø75 X 40 MM | OIL SEAL HOLDER |
| 14 14408610 | STÅLMØTRIK UNF 1" | STEEL NUT |
| 15 350635 | CYLINDERRØR KPL. Ø85/Ø75 X 410 MM | CYLINDER TUBE CPL |
| 16 444732 | STOPRING F/CYLINDER Ø35 X 2 X 100MM | CYLINDER STOP |
| 17 350632 | STEMPELSTANG M/HOVED | PISTON ROD W/HEAD |
| 18 14652000 | SEEGERRING UDV. Ø50 MM | CIRCLIP |
| 19 471325 | TOPMØTRIK, LILLE Ø96.5/Ø46.7 X 32MM | TOP NUT, SMALL |
| 20 491651 | STEMPELSTYR F. Ø65 RØR | PISTON GUIDE |
| 21 13316000 | O-RING Ø53.34 X 5.33 MM | O-RING |
| 22 443490 | SKIVE Ø64/Ø25.5 X 6 MM | DISC |
| 23 13345000 | NUTRING 40 X 65 X 12 MM | OIL SEAL |
| 24 350211 | MANCHETHOLDER DOB. Ø65 | SLEEVE HOLDER DOUBLE |
| 25 350604 | CYLINDERRØR Ø75/Ø65 X 520 MM | CYLINDER TUBE |
| 26 491429 | NAGLE Ø22/Ø9 X 97 MM | PIN |
| 27 14538700 | TRAKTORSPLIT Ø8 MM | LINCH PIN |
| 29 444623 | INDV. HALVDEL | TRANSPORT STAY |
| 30 444622 | UDV. HALVDEL | TRANSPORT STAY |
| 31 14540700 | ØJEBOLT Ø8 X 75 MM | EYE BOLT |
| 32 14535100 | HÅRNÅLESPLIT Ø2 MM | CLEVIS PIN |
| 33 15330100 | WIRE PVC OVERTRUKKET 1.3 MM/2.3 MM | WIRE, PVC COATED |
| 34 14850300 | WIREKLEMMER 3 MM | WIRE CLIP |
| | | ZYLINDER |
| | | DICHTSATZ |
| | | TIEFENREG.-ZYLINDER |
| | | DICHTSATZ |
| | | KOLBENSTANGE |
| | | O-RING |
| | | SICHERUNGSRING |
| | | KOPFMUTTER |
| | | ABSTREIFER |
| | | O-RING |
| | | KOLBENFUEHRUNG |
| | | O-RING |
| | | SCHEIBE F. ZYLINDER |
| | | MANSCHETTE |
| | | HALTER F/MANSCHETTE |
| | | STAHLMUTTER |
| | | ZYLINDERROHR KPL |
| | | ZYLINDERHALT |
| | | KOLBENSTANGE M/KOPF |
| | | SICHERUNGSRING |
| | | KOPFMUTTER, KLEIN |
| | | KOLBENFUEHRUNG |
| | | O-RING |
| | | SCHEIBE |
| | | MANSCHETTE |
| | | HALTER F/MANSCH. DOPPEL |
| | | ZYLINDERROHR |
| | | NAGEL |
| | | SICHERUNGSPLINT |
| | | INW. HALBTEIL |
| | | AUSW. HALBTEIL |
| | | AUGENBOLZEN |
| | | SPLINT |
| | | STAHLDRAHT, PVC-UEBERZ. |
| | | DRAHTKLEMMER |



MIISA TE105 KRB/S 311 RE



Cylinder for tankelevator

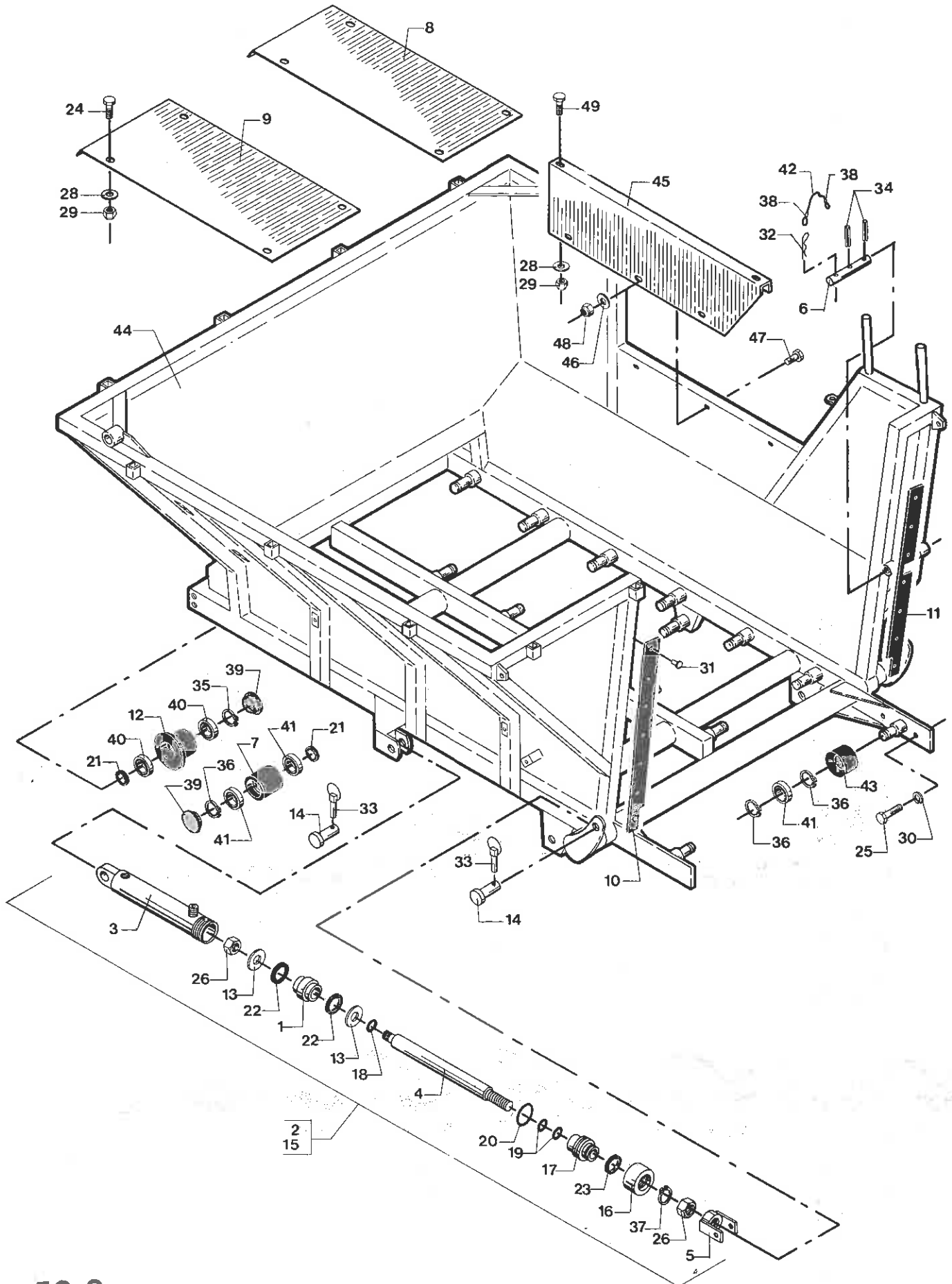
Ram for tank elevator

Zylinder f. Bunkerelevator

| | | | |
|-------------|-------------------------------------|-------------------------|-------------------------|
| 1 350211 | MANCHETHOLDER DOB. Ø65 | SLEEVE HOLDER DOUBLE | HALTER F/MANSCH. DOPPEL |
| 2 350502 | CYL. F. TANKELEV. D-65/40-795/1180 | TANK/ELEVATOR RAM | BUNKERELEVATORZYLINDER |
| 3 350510 | CYLINDER D Ø75/Ø40 - 1180/1975 | CYLINDER | ZYLINDER |
| 4 350511 | PAKNINGSSET F/D Ø75/Ø40 F. 350-510 | GASKET SET | DICHTSATZ |
| 5 350608 | CYLINDERRØR KPL. Ø75/Ø65 X 950 MM | CYLINDER TUBE CPL | ZYLINDERROHR KPL |
| 6 350619 | CYLINDERRØR Ø85/Ø75 X 950 MM | CYLINDER TUBE | ZYLINDERROHR |
| 7 351505 | STEMPELSTANG Ø40 X 1010 MM | PISTON ROD | KOLBENSTANGE |
| 8 351507 | STEMPELHOVED NV.55 X 159 MM | PISTON HEAD | KOLBENKOPF |
| 9 351527 | STEMPELSTYR Ø75/Ø40 | PISTON GUIDE | KOLBENFUEHRUNG |
| 10 443490 | SKIVE Ø64/Ø25.5 X 6 MM | DISC | SCHEIBE |
| 11 471237 | ØVERSTE NAGLE F. TIPCYL. Ø22 X 87MM | TOP PIN F/TANK RAM | ØBERER NAGEL F/KIPPZYL. |
| 12 471238 | TAP LANG Ø19 X 60 MM | LONG STUD | LANG. ZAPPEN |
| 13 491394 | PAKNINGSSET Ø65 DOBB. U. CYL. | GASKET SET | DICHTSATZ |
| 14 491633 | STEMPELSTYR F. Ø65 RØR | PISTON GUIDE | KOLBENFUEHRUNG |
| 15 491634 | TOPMØTRIK Ø100/Ø50 X 44 MM | TOP NUT | KOPFMUTTER |
| 16 491644 | TOPMØTRIK Ø106/Ø56 X 42 MM | TOP NUT | KOPFMUTTER |
| 17 492167 | MANCHETHOLDER Ø75 X 40 MM | OIL SEAL HOLDER | HALTER F/MANSCHETTE |
| 18 801019 | HAKMØTRIK M39 X 2 MM | NOTCH NUT | EINSCHNITTMUTTER |
| 19 801083 | SKIVE F. CYLINDER Ø75/Ø25.5 | WASHER F/RAM | SCHEIBE F/ZYLINDER |
| 20 13312000 | O-RING Ø19.2 X 3 MM | O-RING | O-RING |
| 21 13314900 | O-RING Ø39.69 X 3.53 MM | O-RING | O-RING |
| 22 13315100 | O-RING Ø39.2 X 3 MM | O-RING | O-RING |
| 23 13316000 | O-RING Ø53.34 X 5.33 MM | O-RING | O-RING |
| 24 13317500 | O-RING Ø64.2 X 5.7 MM | O-RING | O-RING |
| 25 13345000 | NUTRING 40 X 65 X 12 MM | OIL SEAL | MANSCHETTE |
| 26 13345400 | NUTRING 55 X 75 X 12 MM | OIL SEAL | MANSCHETTE |
| 27 13387500 | AFSTRYGER 40 X 50 X 7/10 MM | WIPER | ABSTREIFER |
| 28 13841000 | SMØRENIPPEL LIGE MF8 X 1 MM | GREASE NIPPLE STRAIGHT | SCHMIERNIPPEL GERADE |
| 29 14085400 | SETS KRUE GROV M8 X 20 MM | SET SCREW | SETZSCHRAUBE |
| 30 14408610 | STÅLMØTRIK UNF 1" | STEEL NUT | STAHLMUTTER |
| 31 14538700 | TRAKTORSPLIT Ø8 MM | LINCH PIN | SICHERUNGSPLINT |
| 32 14652600 | SEEGERRING UDV. Ø60 MM | CIRCLIP | SICHERUNGSRING |
| 33 14653300 | SEEGERRING UDV. Ø68 MM | CIRCLIP | SICHERUNGSRING |
| 35 478097 | MØDEGITTER F. STOR TE-TANK | DAMPING GRATE F/LA.TANK | DAEMPF.-GITTER F/GR.BU. |
| 36 419072 | OPSTANDER | UPRIGHT | STAENDER |
| 37 14162400 | TAPSETSKRUE GROV M16 X 35 MM | STUD SET SCREW | ZAPFSETZSCHRAUBE |
| 38 14440600 | SVÆR SKIVE 17 X 30 X 3 MM | WASHER | SCHEIBE |
| 39 14431000 | LÅSEMØTRIK M16 | LOCK NUT | GEGENMUTTER |
| 40 478000 | STOR TE-TANK | BIG TE-TANK | GROSSER TE-BUNKER |



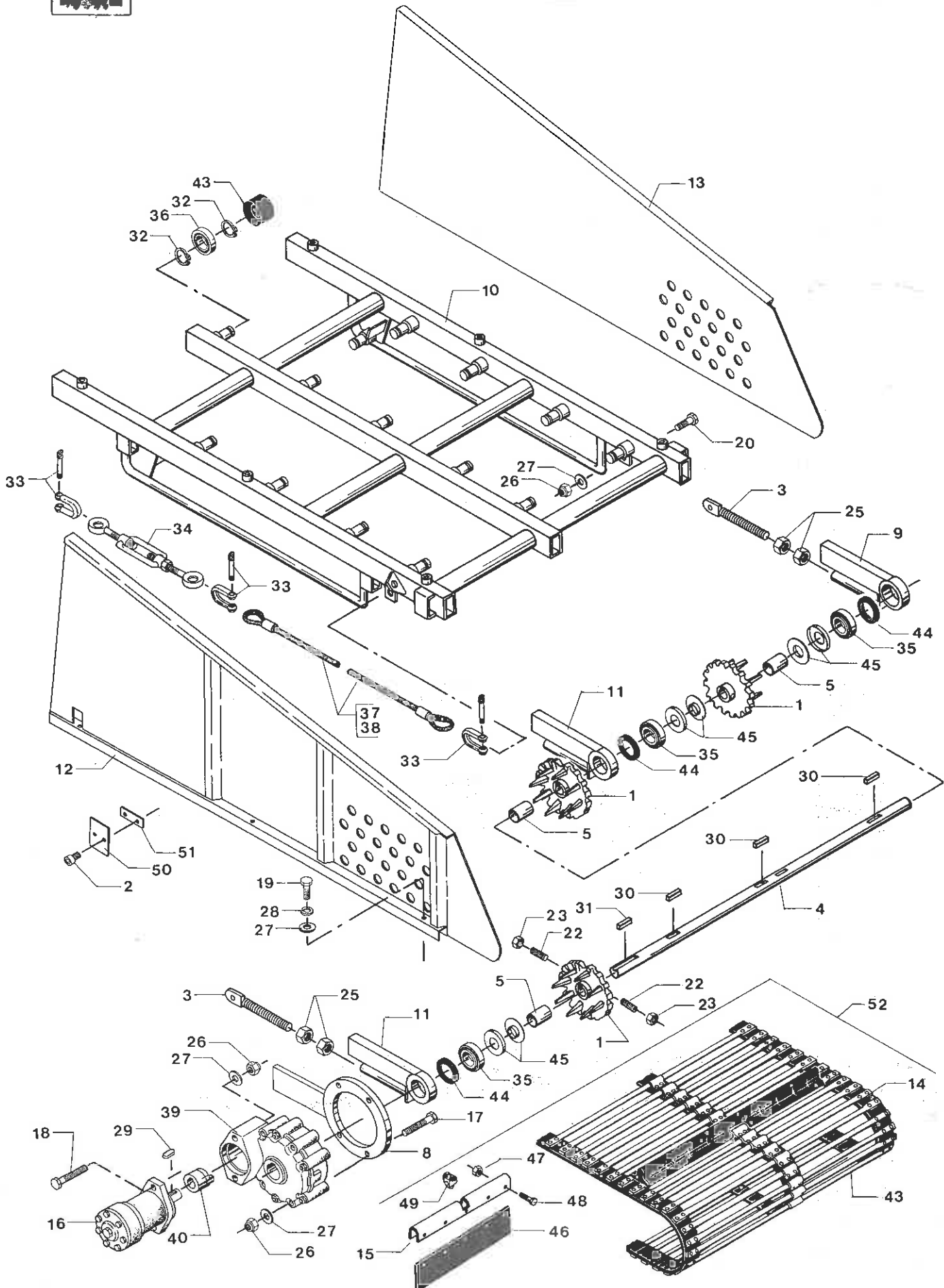
MIISA TE105 KRB/S 311 RE



| Cylinder i elevator | Ram in elevator | Zylinder im Elevator |
|---------------------|-------------------------------------|--|
| 1 350211 | MANCHETHOLDER DOB. Ø65 | SLEEVE HOLDER DOUBLE HALTER F/MANSCH. DOPPEL |
| 2 350503 | ELEVATORCYLINDER D-65/30-275 | ELEVATOR RAM ELEVATORZYLINDER |
| 3 350610 | CYLINDERRØR KPL. Ø75/Ø65 X 395 MM | CYLINDER TUBE CPL ZYLINDERROHR KPL |
| 4 351508 | STEMPELSTANG Ø30 X 585 MM | PISTON ROD KOLBENSTANGE |
| 5 417311 | GAFFEL F. STEMPEL | PISTON CLEVIS KOLBENGABEL |
| 6 419418 | AKSEL FOR LÅS | SHAFT F. LOCK WELLE F. SCHLOSS |
| 7 419678 | MELLEMSTE HJUL FOR BÅND | MIDDLE WHEEL F. BAND MITTELRAD F. BAND |
| 8 478084 | BUNDPLADE 3 X 525 X 1960 MM | BOTTOM PLATE BODENPLATTE |
| 9 478085 | BUNDPLADE 3 X 565 X 1960 MM | BOTTOM PLATE BODENPLATTE |
| 10 419765 | GUMMIBESKYTTELSE V/ELEV. FOR | RUBBER GUARD B/EL. FR. GUMMISCHUTZ A/EL. VO. |
| 11 419766 | GUMMIBESKYTTELSE V/ELEV. BAG | RUBBER GUARD B/EL. REAR GUMMISCHUTZ A/EL. HI. |
| 12 443090 | BUNDRULLE F. ELEV. + BÅNDOPSAMLER | BOTTOM ROLLER F/ELEV.+B BODENROLLE F/ELEV.+BA |
| 13 444350 | SKIVE FOR Ø65 RØR | DISC SCHEIBE |
| 14 471238 | TAP LANG Ø19 X 60 MM | LONG STUD LANG. ZAPFEN |
| 15 471283 | PAKNINGSSÆT D65/30 | GASKET SET DICHTSATZ |
| 16 471325 | TOPMØTRIK, LILLE Ø96.5/Ø46.7 X 32MM | TOP NUT, SMALL KOPFMUTTER, KLEIN |
| 17 491651 | STEMPELSTYR F. Ø65 RØR | PISTON GUIDE KOLBENFUEHRUNG |
| 18 13312000 | O-RING Ø19.2 X 3 MM | O-RING O-RING |
| 19 13314000 | O-RING Ø29.75 X 3.53 MM | O-RING O-RING |
| 20 13316000 | O-RING Ø53.34 X 5.33 MM | O-RING O-RING |
| 21 13326500 | SIMMERRING 30 X 52 X 10 MM | OIL SEAL OELFANGRING |
| 22 13345000 | NUTRING 40 X 65 X 12 MM | OIL SEAL MANSCHETTE |
| 23 13387000 | AFSTRYGER 30 X 40 X 7/10 MM | WIPER ABSTREIFER |
| 24 14087500 | SETSKRUE GROV M10 X 25 MM | SET SCREW SETZSCHRAUBE |
| 25 14092100 | SETSKRUE GROV M16 X 35 MM | SET SCREW SETZSCHRAUBE |
| 26 14408610 | STÅLMØTRIK UNF 1" | STEEL NUT STAHLMUTTER |
| 28 14440400 | SVER SKIVE 10.5 X 21 X 2 MM | WASHER SCHEIBE |
| 29 14430500 | LÅSEMØTRIK M10 | LOCK NUT GEGENMUTTER |
| 30 14462900 | CENTERFJEDERSKIVE M16 | SPRING WASHER FEDERSCHEIBE |
| 31 14506400 | POPNIITE Ø5 X 10 MM | TUBULAR RIVET NIET |
| 32 14535500 | HÅRNÅLESPLIT Ø4 MM | CLEVIS PIN SPLINT |
| 33 14538700 | TRAKTORSPLIT Ø8 MM | LINCH PIN SICHERUNGSSPLINT |
| 34 14571700 | RØRSPENDESTIFT Ø7 X 45 MM | DOWEL ROHRSPANNSTIFT |
| 35 14642500 | SEEGERRING UDV. Ø25 MM | CIRCLIP SICHERUNGSRING |
| 36 14643000 | SEEGERRING UDV. Ø30 MM | CIRCLIP SICHERUNGSRING |
| 37 14652000 | SEEGERRING UDV. Ø50 MM | CIRCLIP SICHERUNGSRING |
| 38 14846900 | WIRELÅS FZB 3/16" | WIRE LOCK DRAHTSEILSCHLOSS |
| 39 15048300 | NAVKAPSEL NAGBØL Ø53 MM U/GEVIND | HUB CAP WO/THREAD NABENKAPSEL O/GEWINDE |
| 40 15111700 | SPORKUGLELEJE ENRÆK. 6205-2RS | STEP BALL BEARING 1-R. SPURKUGELLAGER 1-REIH. |
| 41 15112800 | SPORKUGLELEJE ENRÆK. 6306-2RS | STEP BALL BEARING 1-R. SPURKUGELLAGER 1-REIH. |
| 42 15330100 | WIRE PVC OVERTRUKKET 1.3 MM/2.3 MM | WIRE, PVC COATED STAHLDRAHT, PVC-UEBERZ. |
| 43 2380400 | BERERULLE F. GUMMIKED | SUP. ROLL F/RUB.CHAIN TRAGROLLE F/GUMMIKETTE |
| 44 478000 | STOR TE-TANK | BIG TE-TANK GROSSER TE-BUNKER |
| 45 490718 | LUKESKÆRM V/ELEVATORINDLØB | CLOS. GUARD B/ELEV. INL. SCHLIESSCHIRM A/ELEVAT. |
| 46 14482800 | SPEC. SKIVE 35 X 8.5 X 3 MM | SPECIAL WASHER SPEZIALSCHEIBE |
| 47 14085500 | SETSKRUE GROV M8 X 25 MM | SET SCREW SETZSCHRAUBE |
| 48 14430300 | LÅSEMØTRIK M8 | LOCK NUT GEGENMUTTER |
| 49 14087700 | SETSKRUE GROV M10 X 35 MM | SET SCREW SETZSCHRAUBE |



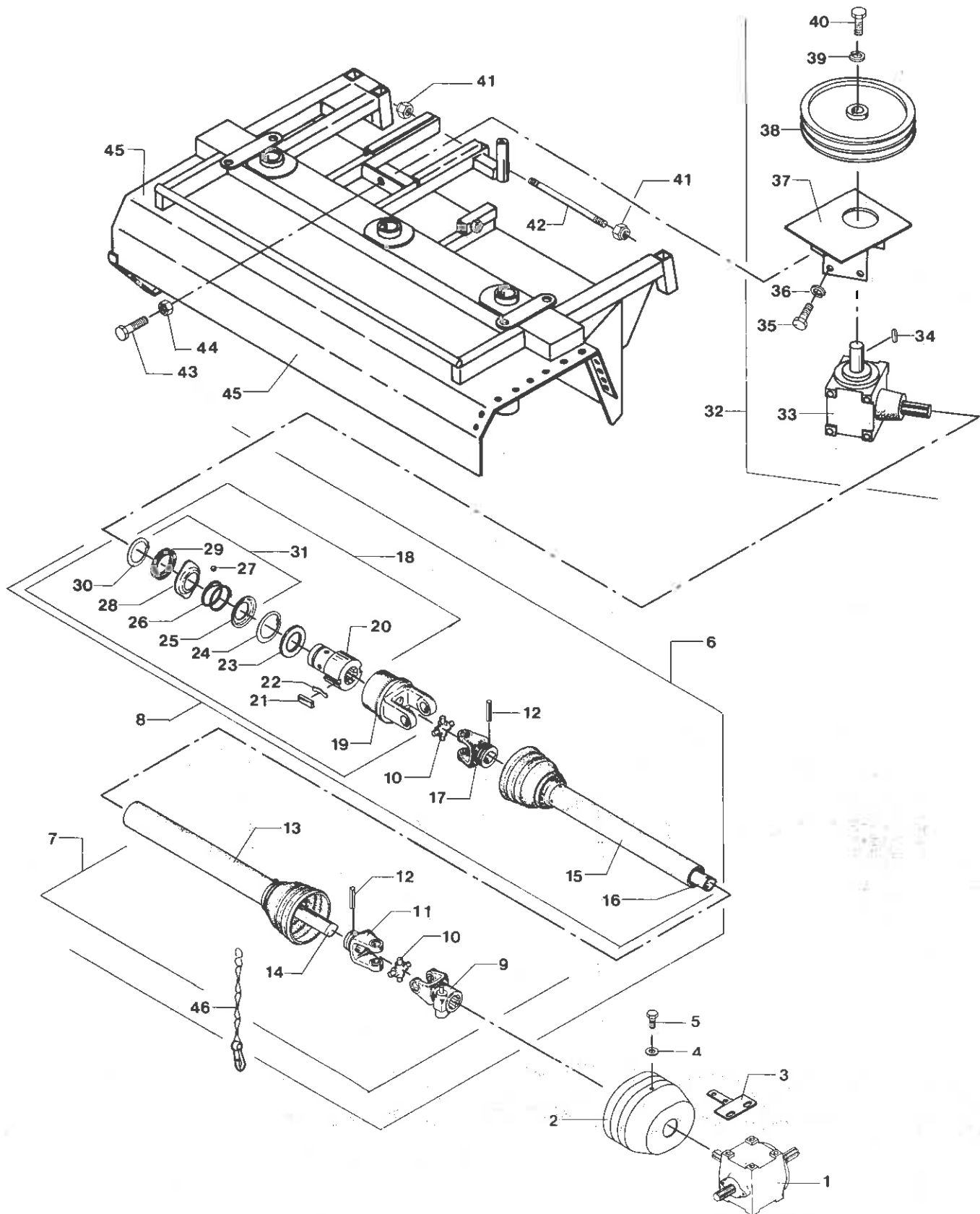
MIISA TE105 KRB/S 311 RE



| Elevator | Elevator | Elevator |
|-------------|-------------------------------------|-------------------------|
| 1 419100 | TOPAKSELHJUL FOR TE | TOP SHAFT WHEEL F. TE |
| 2 14258400 | UNBRACO MC 10 X 25 MM | UNBRACO SCREW |
| 3 419593 | STRAMMEBOLT | TIGHTENING BOLT |
| 4 478071 | TOPAKSEL F/STOR TE-TANK Ø40X1685 MM | TOP SHAFT F/BIG TE-TANK |
| 5 419677 | AFSTANDSRØSNING Ø1 1/2" X 85 MM | DISTANCE BUSH |
| 8 419801 | HOLDER F. OLIEMOTOR | HOLDER F. OIL MOTOR |
| 9 419814 | GLIDER F. TOPAKSEL H. | SLIDER F. TOP SHAFT RH |
| 10 478007 | AFLESSELEVATOR F. STOR TE-TANK | UNL.ELEV. F/BIG TE-TANK |
| 11 419834 | GLIDER F. TOPAKSEL V. | SLIDER F. TOP SHAFT LH |
| 12 490908 | FORR. SIDEPLADE F/AFL. ELEVATOR | FRONT SIDEPL.F/DEL.ELEV |
| 13 490909 | BAG. SIDEPLADE F/AFL. ELEVATOR | REAR SIDE PL.F/DEL.ELEV |
| 14 17819792 | GUMMIKÆDE B=1400 MM L=9100 MM (NL) | RUBBER CHAIN |
| 15 445183 | HOLDEBESLAG FOR GUMMILAP 2X100X550 | BRACKET F. RUBBER LAP |
| 16 13719300 | OLIE MOTOR OMR 315 | OIL MOTOR |
| 16 13719900 | PAKNINGSSET ALLE OMR | PACKING SET |
| 17 14046900 | MASKINBOLT GROV M12 X 110 MM | BOLT |
| 18 14047000 | MASKINBOLT GROV M12 X 120 MM | BOLT |
| 19 14089600 | SÆTSKRUE GROV M12 X 25 MM | SET SCREW |
| 20 14089900 | SÆTSKRUE GROV M12 X 40 MM | SET SCREW |
| 22 14285700 | UNBRACO M10 X 30 MM | UNBRACO SCREW |
| 23 14410600 | MØTRIK M10 | NUT |
| 24 502474 | REP. SÆT/MEDBRINGER 1400MM ENK.TAND | REP. KIT/CARRIER SING.T |
| 25 14411400 | MØTRIK M20 | NUT |
| 26 14430700 | LÅSEMØTRIK M12 | LOCK NUT |
| 27 14453000 | SVÆR SKIVE 1/2" | WASHER |
| 28 14462700 | CENTERFJEDERSKIVE M12 | SPRING WASHER |
| 29 14607400 | PASFEDER 8 X 7 X 32 MM | KEY |
| 30 14608325 | PASFEDER 10 X 8 X 50 MM | KEY |
| 31 14634040 | HAGEKILE 12 X 8 X 80 MM | GIB KEY |
| 32 14643000 | SEEGERRING UDV. Ø30 MM | CIRCLIP |
| 33 14842500 | D-SJÆKEL FZB 3/8" | D-SHACKLE |
| 34 14856000 | BARDUNSTRAMMER 3/8" 2 ØJER | WIRE STRAINER W/2 EYES |
| 35 15112200 | SPORKUGLELEJE ENREK. 6208 | STEP BALL BEARING 1-R. |
| 36 15112800 | SPORKUGLELEJE ENREK. 6306-2RS | STEP BALL BEARING 1-R. |
| 37 15328514 | WIRESTROPPER - GALV. (8 X 1450 MM) | WIRE STRAP |
| 38 15328516 | WIRESTROPPER - GALV. (8 X 1600 MM) | WIRE STRAP |
| 39 15509600 | AKSELGEAR | SHAFT GEAR |
| 40 15524705 | MEDBRINGER 25 MM | CARRIER |
| 41 502476 | REP. SÆT/BÅND 1400MM ENKELT TAND | REP. KIT/BELT SINGLE T. |
| 42 2380400 | BÆRERULLE F. GUMMIKÆDE | SUP. ROLL F/RUB.CHAIN |
| 43 502475 | REP. SÆT/NITTESTAV 1400 MM ENK.TAND | REP. KIT/RIVET ROD SI.T |
| 44 13330000 | SIMMERRING 40 X 60 X 10 MM | OIL SEAL |
| 45 13365900 | LABYRINTTÆTNING Ø80/40 X 6 MM | LABYRINTH SEAL |
| 46 2380010 | GUMMISKERM 550 X 110 X 10 MM | RUBBER GUARD |
| 47 14083900 | SÆTSKRUE GROV M6 X 20 MM | SET SCREW |
| 48 14430100 | LÅSEMØTRIK M6 | LOCK NUT |
| 49 14847300 | WIRELÅS FZB 7/16" | WIRE LOCK |
| 50 419743 | DEKSEL | COVER |
| 51 419744 | BESLAG F. DEKSEL | FITTING F. COVER |
| 52 502505 | BÅND KPL. AFLÆS.ELE.L=9100,B=1400MM | BELT CPL F/UNLOAD. ELE. |
| | | OBERWELLENRAD F. TE |
| | | UNBRACOSCHRAUBE |
| | | SPANNBOLZEN |
| | | OBERWELLE F/GR.TE-BUNK. |
| | | ABSTANDBUCHSE |
| | | HALTER F. OELMOTOR |
| | | SCHIEBER F. OBERWELLE R |
| | | ABLADDELEV./GR.TE-BUNK. |
| | | SCHIEBER F. OBERWELLE L |
| | | VORD.SEITENPL.F.ELEVAT. |
| | | HINT.SEITENPL.F/ELEVAT. |
| | | GUMMIKETTE |
| | | HALTBESCHL. F/GUMMILAP. |
| | | OELMOTOR |
| | | DICHTSATZ |
| | | BOLZEN |
| | | BOLZEN |
| | | SETZSCHRAUBE |
| | | SETZSCHRAUBE |
| | | UNBRACOSCHRAUBE |
| | | MUTTER |
| | | REP.SATZ/MITNEHM.EINZ.Z |
| | | MUTTER |
| | | GEGENMUTTER |
| | | SCHEIBE |
| | | FEDERSCHEIBE |
| | | PASSFEDER |
| | | PASSFEDER |
| | | NASENKIEL |
| | | SICHERUNGSRING |
| | | D-SCHAEKEL |
| | | SPANNSCHLOSS M/2 AUGEN |
| | | SPURKUGELLAGER 1-REIH. |
| | | SPURKUGELLAGER 1-REIH. |
| | | DRAHTGURT |
| | | DRAHTGURT |
| | | WELLENGETRIEBE |
| | | MITNEHMER |
| | | REP.SATZ/BAND EINZ.ZAHN |
| | | TRAGROLLE F/GUMMIKETTE |
| | | REP.SATZ/NIETSTAB EIN.Z |
| | | OELFANGRING |
| | | LABYRINTHDICHTUNG |
| | | GUMMISCHIRM |
| | | SETZSCHRAUBE |
| | | GEGENMUTTER |
| | | DRAHTSEILSCHLOSS |
| | | DECKEL |
| | | BESCHLAG F. DECKEL |
| | | BAND KPL F/AUSLEGER |



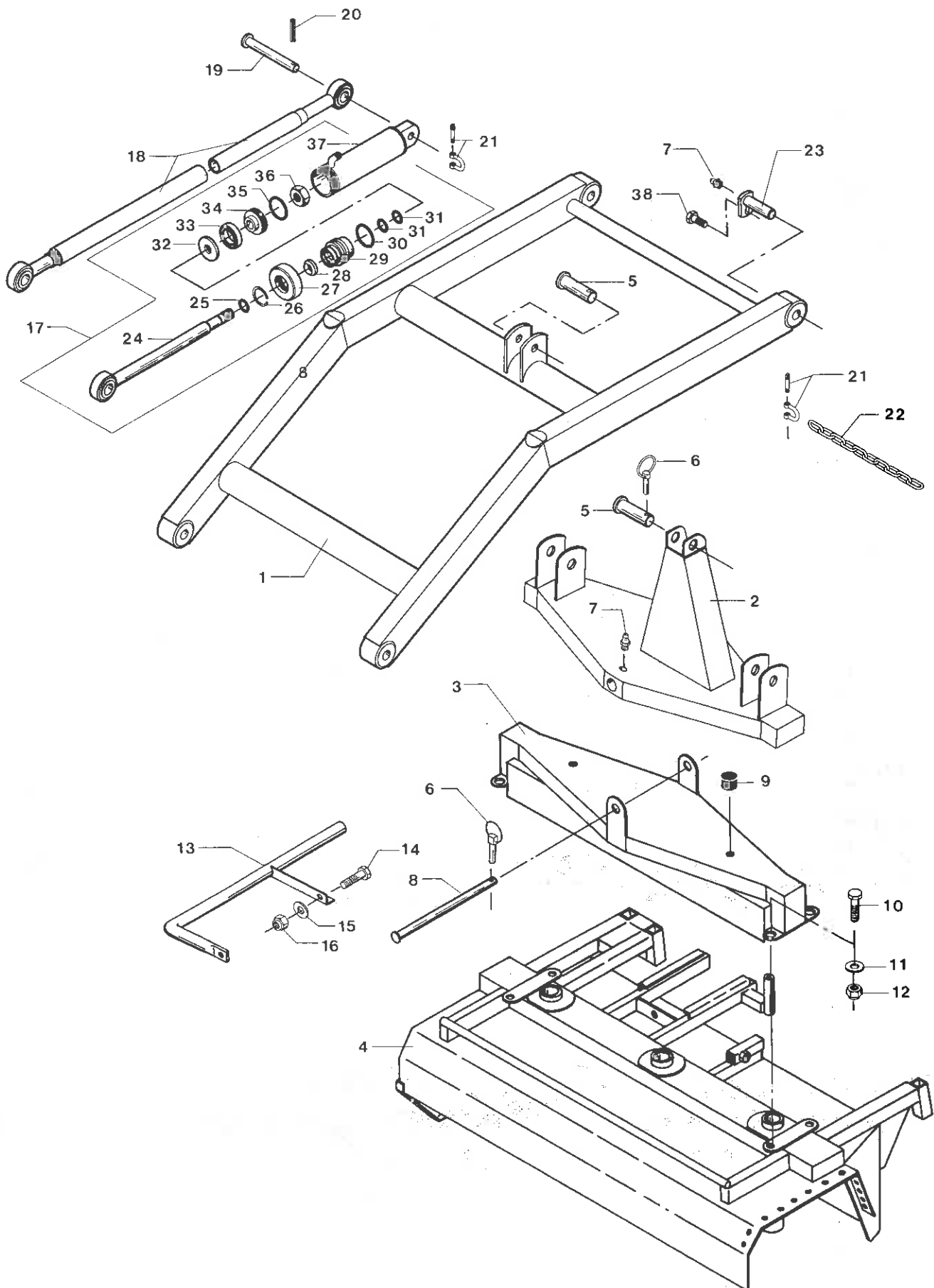
MIISA TE105 KRB/S 311 RE



| | Drev f/rotoraftopper | Drive f. pulveriser | Antrieb f. Koepfer |
|-------------|-------------------------------------|-------------------------|-------------------------|
| 1 | SIDE 61.0 | PAGE 61.0 | SEITE 61.0 |
| 2 492039 | PLASTSKÆRM | PLAST SCREEN | PLASTSCHIRM |
| 3 419057 | BESLAG F/RØRSKÆRM | FITTING F/PIPE GUARD | BESCHLAG F/ROHRSCHIRM |
| 4 14480200 | SPEC. SKIVE 25 X 8.5 X 2.0 MM | SPECIAL WASHER | SPEZIALSCHEIBE |
| 5 14085300 | SÆTSKRUE GROV M8 X 16 MM | SET SCREW | SETZSCHRAUBE |
| 6 15409610 | KRAFTA. F5/1V. X1 3/8" W2100 L=1060 | PTO SHAFT | GELENKWELLE |
| 7 15361110 | INDV. HALVDEL F. 154-09610 1 3/8" | INNER SHAFT ASSEMBLY | INW. GELENKW.-HALBTEIL |
| 8 15381110 | UDV. HALVDEL F. 154-09610 1 3/8" | OUTER SHAFT ASSEMBLY | AUSW. GELENKW.-HALBTEIL |
| 9 15442801 | GAFFEL M/SNAPLÅS 1981-W2100 | YOKE W/SNAP LOCK | GABEL M/SCHNAPPSCHLOSS |
| 10 15481000 | NÅLELEJEKRYDS W2100-100100 | UNIV. JOINT W/BEARINGS | KREUZGARNITUR |
| 11 15441000 | RILLEGAFFEL 00A-W2100 | UNIVERSAL JOINT YOKE | RILLENGABEL |
| 12 14574600 | RØRSPENDESTIFT Ø8 X 50 MM | DOWEL | ROHRSPANNSTIFT |
| 13 15450300 | UDV. BESK.RØR SC05/W2100 6B 1300 MM | OUTER GUARD PIPE | AUSW. SCHUTZROHR |
| 14 15471078 | INDV. PROFILAKSEL 00A L=960 MM | INNER PROFILE SHAFT | INW. PROFILWELLE |
| 15 15445300 | INDV. BESK.RØR SC05/W2100 6B 1300MM | INNER GUARD PIPE | INW. SCHUTZROHR |
| 16 15476078 | UDV. PROFILRØR OA L=955 MM | OUTER PROFILE PIPE | AUSW. PROFILROHR |
| 17 15442000 | RILLEGAFFEL OA-W2100 | UNIVERSAL JOINT YOKE | RILLENGABEL |
| 18 15436301 | FRILØBSKOBLING F5/1L - 1 3/8" W2100 | OVERRUNNING CLUTCH | FREILAUFKUPPLUNG |
| 19 15484401 | KOBLINGSHUS F5/1L W2100 | CLUTCH HOUSING | KUPPLUNGSGEHÄUSE |
| 20 15486200 | KOBLINGSNV F5/1L 1 3/8" | CLUTCH HUB | KUPPLUNGSNABE |
| 21 15480516 | KILE | KEY | KRIL |
| 22 15480515 | BLADFJEDER | LEAF SPRING | BLATTFEDER |
| 23 15480506 | SKIVE | WASHER | SCHIBE |
| 24 14686100 | SEEGERRING INDV. Ø68 MM | CIRCLIP | SICHERUNGSRING |
| 25 15487900 | STØTTERING | SUPPORT RING | STUETZRING |
| 26 15487200 | FJEDER | SPRING | FEDER |
| 27 15482600 | KUGLER FOR KOBLING 1/2" | BALLS F/CLUTCH | KUGEL F/KUPPLUNG |
| 28 15487100 | SPÆRRING | LOCK COLLAR | SPERRING |
| 29 15487501 | VINKELRING | FLANGED RING | WINKELRING |
| 30 15487601 | SIKRINGSRING | CIRCLIP | SICHERUNGSRING |
| 31 15479005 | AGRASET HURTIGLÅS KPL. | AGRASET QUICK LOCK CPL | AGRASET SCHNELLSCHLOSS |
| 32 490137 | GEARKASSE M/REMSKIVE OG MOTORPLADE | GEARBOX W/PULLEY+MO.PL. | GETRIEBE M/R-SCH+MO.PL. |
| 33 | SIDE 60.0 | PAGE 60.0 | SEITE 60.0 |
| 34 14607400 | PASFEDER 8 X 7 X 32 MM | KEY | PASSFEDER |
| 35 14089500 | SÆTSKRUE GROV M12 X 20 MM | SET SCREW | SETZSCHRAUBE |
| 36 14462700 | CENTERFJEDERSKIVE M12 | SPRING WASHER | FEDERSCHIBE |
| 37 501628 | MOTORPLADE KPL. FRA 1982 | MOTOR PLATE CPL | MOTORPLATTE KPL |
| 38 490575 | KILEREMSKIVE 2B 225 Ø30 | V-BELT PULLEY | KEILRIEMENSCHIBE |
| 39 14462500 | CENTERFJEDERSKIVE M8 | SPRING WASHER | FEDERSCHIBE |
| 40 14085600 | SÆTSKRUE GROV M8 X 30 MM | SET SCREW | SETZSCHRAUBE |
| 41 14430700 | LÅSEMØTRIK M12 | LOCK NUT | GEGENMUTTER |
| 42 501614 | SPÆNDEBOLT F. MOTORPLADE | TENS. BOLT F/MOTOR PLA. | SPANNBOLZEN F/MOTORPLA. |
| 43 14093500 | SÆTSKRUE GROV M16 X 130 MM | SET SCREW | SETZSCHRAUBE |
| 44 14411100 | MØTRIK M16 | NUT | MUTTER |
| 45 490049 | STATIV F. 3-RK. AFTOPPER | FRAME F/3-R PULVERISER | RAHMEN F/3-R KOEFFER |
| 46 15456100 | HOLDEKÆDE | RETAINING CHAIN | HALTEKETTE |
| 47 13416300 | HYDR. MUFFE 3/8" BSP | HYD. STRAIGHT CONNECTOR | HYDR. ANSCHLUSS |
| 48 13756430 | HYDR. SLANGE Ø3/8" X 3000 MM | HYDR. HOSE | HYDR. SCHLAUCH |
| 49 13423900 | HYDR. NIPPELMUFFE 3/4" X 1/2" BSP | HYDR. ADAPTOR | HYDR. NIPPELMUFFE |
| 50 13759000 | HYDR. SLANGE Ø3/8" X 2950 MM | HYDR. HOSE | HYDR. SCHLAUCH |



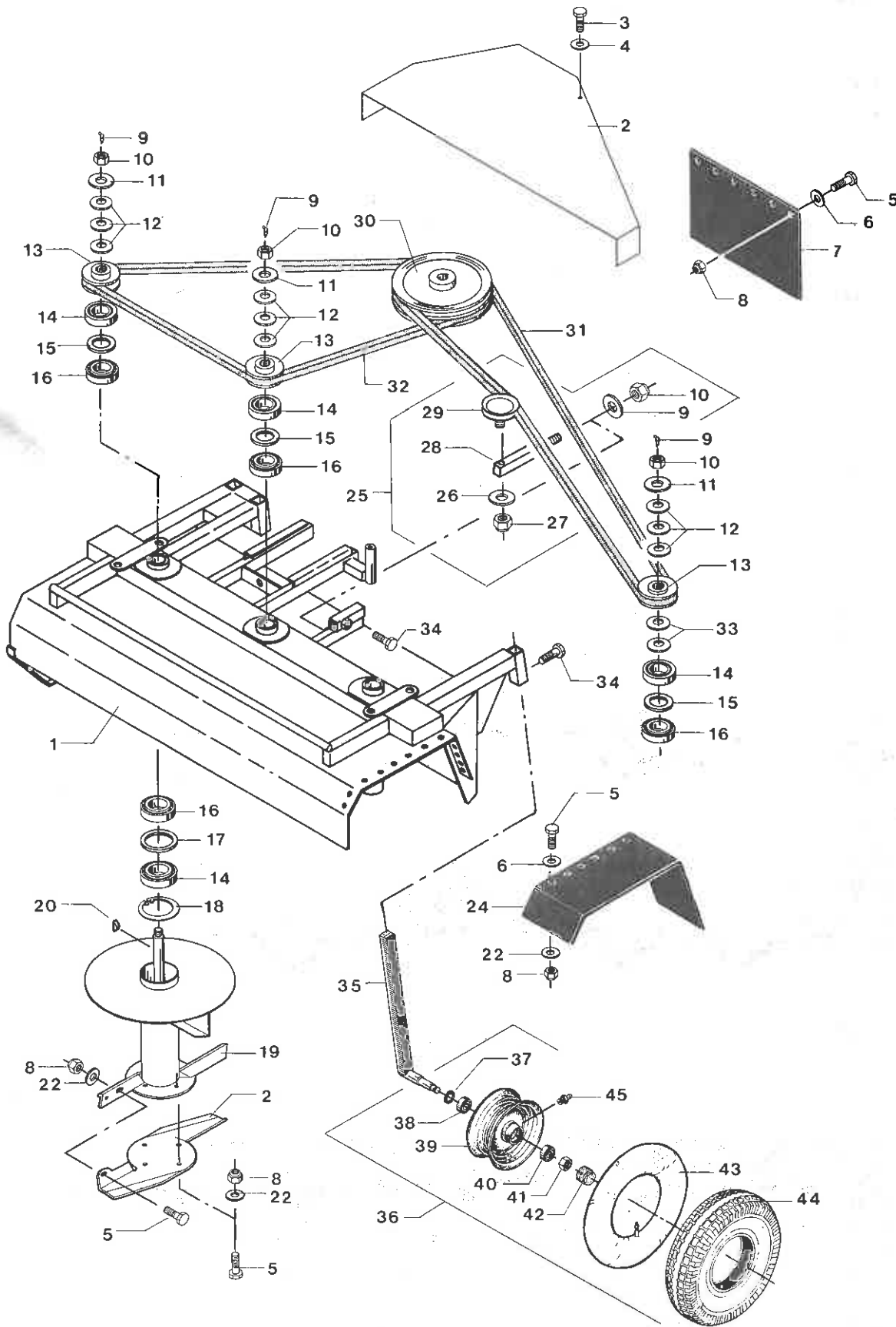
MIISA TE105 KRB/S 311 RE



| | Ophæng for rotoraftopper | Susp. f. pulveriser | Aufh. f. Koepfer |
|----|--------------------------|-------------------------------------|-------------------------|
| 1 | 490284 | BERERAMME F/AFTOPPER, ROTOR 3RK. | CARR. FRAME/ROTOR PULV. |
| 2 | 490285 | BEREBJÆLKE FOR AFTOPPER 3 RK. (91) | SUPPORT BEAM F/PULV. |
| 3 | 501631 | UNDERBJÆLKE F. MIII AFT. FRA 1982 | LOW BEAM F/PULVERISER |
| 4 | 490049 | STATIV F. 3-RK. AFTOPPER | FRAME F/3-R PULVERISER |
| 5 | 471280 | NAGLE F. STJÆRTCYL. Ø19/10 X 72 MM | LONG PIN F/TAIL RAM |
| 6 | 14538700 | TRAKTORSPLIT Ø8 MM | LINCH PIN |
| 7 | 13841000 | SMØRENIPPEL LIGE MF8 X 1 MM | GREASE NIPPLE STRAIGHT |
| 8 | 490075 | NAGLE FOR SVANEHALS | PIN F/GOOSENECK |
| 9 | 17876500 | METALASTIK BUFFER Ø51 X 19 MM | RUBBER BUFFER W/BOLT |
| 10 | 14089900 | SETSKRUE GROV M12 X 40 MM | SET SCREW |
| 11 | 14453000 | SVÆR SKIVE 1/2" | WASHER |
| 12 | 14430700 | LÅSEMØTRIK M12 | LOCK NUT |
| 13 | 419867 | SIDE BESKYTTELSSEBØJLE | SIDE GUARD YOKE |
| 14 | 14087600 | SETSKRUE GROV M10 X 30 MM | SET SCREW |
| 15 | 14440400 | SVÆR SKIVE 10.5 X 21 X 2 MM | WASHER |
| 16 | 14430500 | LÅSEMØTRIK M10 | LOCK NUT |
| 17 | 494153 | CYL. E65/30 - 510/800 MM | CYLINDER |
| 17 | 471284 | PAKNINGSSET DYBDEREG. CYLINDER | GASKET SET/DEPTH RAM |
| 18 | 490872 | FORLÆNGET TOPSTANG L=1250 MM | EXTENDED TOP BAR |
| 19 | 444593 | NAGLE FOR CYL. V/AFT. Ø19/11X120 MM | PIN F/PULVERISER RAM |
| 20 | 14580700 | RØRSPENDESTIFT Ø12 X 50 MM | DOWEL |
| 21 | 14842500 | D-SJÆKEL FZB 3/8" | D-SHACKLE |
| 22 | 443570 | KÆDE FOR UNDERMASKINE 7 LED | SUBFRAME CHAIN 7 LINKS |
| 23 | 494984 | NAGLE MED SMØRING Ø25 X 85 MM | PIN W/GREASING |
| 24 | 494164 | STEMPELSTANG Ø30 X 435 MM | PISTON ROD |
| 25 | 13312000 | O-RING Ø19.2 X 3 MM | O-RING |
| 26 | 14652000 | SEEGERRING UDV. Ø50 MM | CIRCLIP |
| 27 | 471325 | TOPMØTRIK, LILLE Ø96.5/Ø46.7 X 32MM | TOP NUT, SMALL |
| 28 | 13387000 | AFSTRYGER 30 X 40 X 7/10 MM | WIPER |
| 29 | 491651 | STEMPELSTYR F. Ø65 RØR | PISTON GUIDE |
| 30 | 13316000 | O-RING Ø53.34 X 5.33 MM | O-RING |
| 31 | 13314000 | O-RING Ø29.75 X 3.53 MM | O-RING |
| 32 | 443490 | SKIVE Ø64/Ø25.5 X 6 MM | DISC |
| 33 | 13345000 | NUTRING 40 X 65 X 12 MM | OIL SEAL |
| 34 | 471301 | MANCHETHOLDER Ø65 | OIL SEAL HOLDER |
| 35 | 13316000 | O-RING Ø53.34 X 5.33 MM | O-RING |
| 36 | 14408610 | STÅLMØTRIK UNF 1" | STEEL NUT |
| 37 | 494161 | CYLINDERRØR Ø75/Ø65 X 395 MM | CYLINDER TUBE |
| 38 | 14087400 | SETSKRUE GROV M10 X 20 MM | SET SCREW |
| | | | TRAGRAHMEN/KR.-KOEPPER |
| | | | TRAGBALKEN F/KOEPPER |
| | | | UNTERBALKEN F/KOEPPER |
| | | | RAHMEN F/3-R KOEPPER |
| | | | NAGEL LANG F/DEICH.ZYL. |
| | | | SICHERUNGSSPLINT |
| | | | SCHMIERNIPPEL GERADE |
| | | | NAGEL F/SCHWANENHALS |
| | | | GUMMIPUFFER M/BOLZEN |
| | | | SETZSCHRAUBE |
| | | | SCHEIBE |
| | | | GENENMUTTER |
| | | | SCHUETZBUEGEL SEITE |
| | | | SETZSCHRAUBE |
| | | | SCHEIBE |
| | | | GENENMUTTER |
| | | | ZYLINDER |
| | | | DICHTSATZ/TIEFREG.ZYL. |
| | | | VERL. OBERLENKER |
| | | | NAGEL F/KOEPPERZYLINDER |
| | | | ROHRSPANNSTIFT |
| | | | D-SCHAEKEL |
| | | | UNTERMASCH.KETTE 7 GL. |
| | | | NAGEL M/SCHMIERUNG |
| | | | KOLBENSTANGE |
| | | | O-RING |
| | | | SICHERUNGSRING |
| | | | KOPFMUTTER, KLEIN |
| | | | ABSTREIFER |
| | | | KOLBENFUEHRUNG |
| | | | O-RING |
| | | | O-RING |
| | | | SCHEIBE |
| | | | MANSCHETTE |
| | | | HALTER F/MANSCHETTE |
| | | | O-RING |
| | | | STAHLMUTTER |
| | | | ZYLINDERROHR |
| | | | SETZSCHRAUBE |



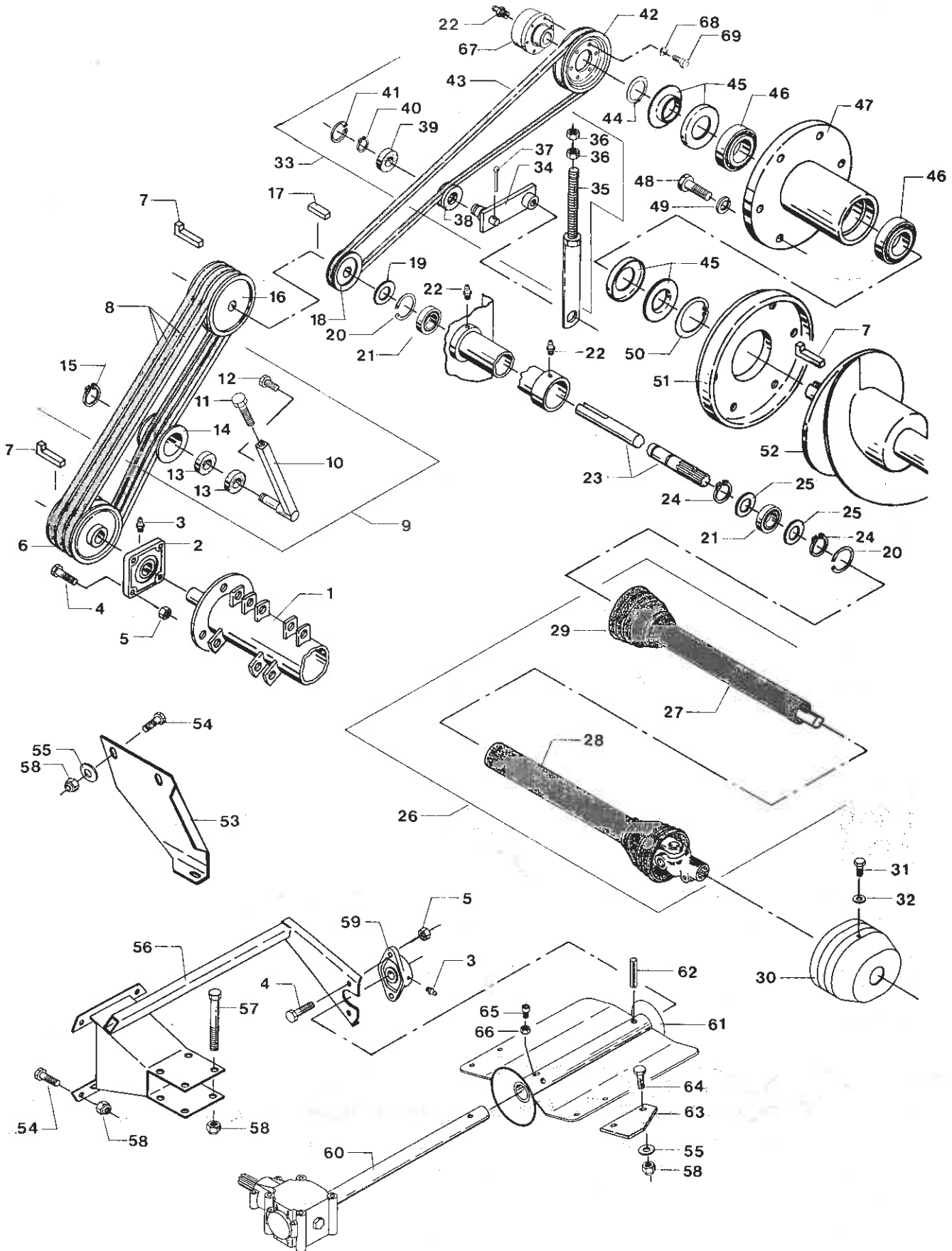
MIISA TE105 KRB/S 311 RE



| Rotor. aftopper | Rotor, pulveriser | Rotor, Koepfer |
|-----------------|-------------------------------------|--------------------------|
| 1 490049 | STATIV F. 3-RK. AFTOPPER | FRAME F/3-R PULVERISER |
| 2 490128 | SKÆRM F. 3-RK. AFTOPPER FRA 1983 | GUARD/3-ROW PULVERISER |
| 3 14087400 | SETS KRUE GROV M10 X 20 MM | SET SCREW |
| 4 14440400 | SVÆR SKIVE 10.5 X 21 X 2 MM | WASHER |
| 5 14085500 | SETS KRUE GROV M8 X 25 MM | SET SCREW |
| 6 14482800 | SPEC. SKIVE 35 X 8.5 X 3 MM | SPECIAL WASHER |
| 7 490675 | GUMMISKÆRM 6 X 300 X 900 MM | RUBBER GUARD |
| 8 14430300 | LÅSEMØTRIK M8 | LOCK NUT |
| 9 13828300 | SMØRENIPPEL 90 GR. MF8 X 1 MM | GREASE NIPPLE |
| 10 14411410 | MØTRIK M20 | NUT |
| 11 14440800 | SVÆR SKIVE 21 X 37 X 3 MM | WASHER |
| 12 14481510 | SPEC. SKIVE 41 X 31 X 1.5 MM | SPECIAL WASHER |
| 13 15232430 | KILEREMSKIVE 1B 112 Ø30 NØ STØBE | V-BELT PULLEY, CAST |
| 14 15112000 | SPORKUGLELEJE ENRÆK. 6206-RS | STEP BALL BEARING 1-R. |
| 15 14482010 | SPEC. SKIVE 61 X 51 X 1.5 MM | SPECIAL WASHER |
| 16 15111800 | SPORKUGLELEJE ENRÆK. 6206 | STEP BALL BEARING 1-R. |
| 17 14481510 | SPEC. SKIVE 41 X 31 X 1.5 MM | SPECIAL WASHER |
| 18 14685700 | SEEGERRING INDV. Ø62 MM | CIRCLIP |
| 19 490135 | AFTOPPERROTOR 2 OG 3-RK. | PULVERISER ROTOR |
| 20 14607400 | PASFEDER 8 X 7 X 32 MM | KEY |
| 21 490408 | KNIV F. ROTOR 3 X 192 X 480 MM | ROTOR KNIFE |
| 22 14450100 | LET SKIVE 1/4" | WASHER |
| 23 13841000 | SMØRENIPPEL LIGE MF8 X 1 MM | GREASE NIPPLE STRAIGHT |
| 24 490519 | GUMMISKÆRM 2-RK. AFTOPP. 6X300X980 | RUBBER GUARD/2-R. PULV. |
| 25 490127 | REMSTRAMMER | BELT TENSIONER |
| 26 14440600 | SVÆR SKIVE 17 X 30 X 3 MM | WASHER |
| 27 14431000 | LÅSEMØTRIK M16 | LOCK NUT |
| 28 490551 | AKSEL FOR REMSTRAMMER 22 X 22 X 230 | SHAFT F/BELT TENSIONER |
| 29 15239700 | STRAMMERULLE MED AKSEL C-SPOR | JOCKEY PULLEY W/SHAFT |
| 30 490575 | KILEREMSKIVE 2B 225 Ø30 | V-BELT PULLEY |
| 31 15256200 | KILEREM B85 (17 X 2159 MM) SPEC. | V-BELT SPECIAL |
| 32 15256100 | KILEREM B72 (17 X 1829 MM) | V-BELT |
| 33 14481510 | SPEC. SKIVE 41 X 31 X 1.5 MM | SPECIAL WASHER |
| 34 14162400 | TAPSETS KRUE GROV M16 X 35 MM | STUD SET SCREW |
| 35 490104 | HJULOPSTANDER 3-RK. AFTOPPER | WHEEL UPRIGHT/3-R. PUL. |
| 36 15051800 | ENDENAVSHJUL KPL. 5.00 X 8" - 6 PLY | END HUB WHEEL CPL |
| 37 13374900 | TETTINGSPLADE Z-LAMEL Ø52/25 X 5 MM | SEAL RING |
| 38 15111600 | SPORKUGLELEJE ENRÆK. 6205 | STEP BALL BEARING 1-R. |
| 39 15030301 | HJULFÆLG UDEN LEJER 3.00DX8" 37998 | WHEEL RIM W.O. BEARINGS |
| 40 15113000 | SPORKUGLELEJE ENRÆK. 6304 | STEP BALL BEARING 1-R. |
| 41 14421800 | LÅSEMØTRIK M/NYLON UNF5/8"XH13.9 MM | LOCK NUT W/NYLON |
| 42 15048100 | NAVKAPSEL NAGBØL Ø52 MM M/GEVIND | HUB CAP W/THREAD |
| 43 15015300 | SLANGE 5.00 X 8" | TUBE |
| 44 15010300 | DÆK MED MØNSTER 5.00 X 8" - 6 PLY | TYRE W/PATTERN |
| 45 13840800 | SMØRENIPPEL LIGE M6 X 1 MM | GREASE NIPPLE STRAIGHT |
| | | RAHMEN F/3-R KOEPFER |
| | | SCHIRM/3-R. KREISELKOE. |
| | | SETZSCHRAUBE |
| | | SCHEIBE |
| | | SETZSCHRAUBE |
| | | SPEZIALSCHEIBE |
| | | GUMMISCHIRM |
| | | GENENMUTTER |
| | | SCHMIERNIPPEL |
| | | MUTTER |
| | | SCHEIBE |
| | | SPEZIALSCHEIBE |
| | | KEILRIEMENSCHIEBE, GUSS |
| | | SPURKUGELLAGER 1-REIH. |
| | | SPEZIALSCHEIBE |
| | | SPURKUGELLAGER 1-REIH. |
| | | SPEZIALSCHEIBE |
| | | SICHERUNGSRING |
| | | KOEPFERROTOR |
| | | PASSFEDER |
| | | ROTERMESSER |
| | | SCHEIBE |
| | | SCHMIERNIPPEL GERADE |
| | | GUMMISCHIRM/2-R. KOEPEF. |
| | | REIMENSANNER |
| | | SCHEIBE |
| | | GENENMUTTER |
| | | WELLE F/RIEMENSANNER |
| | | SPANNROLLE M/WELLE |
| | | KEILRIEMENSCHIEBE |
| | | KEILRIEMEN SPEZIAL |
| | | KEILRIEMEN |
| | | SPEZIALSCHEIBE |
| | | ZAPFSETZSCHRAUBE |
| | | RADSTAENDER/3-R. KOEFF. |
| | | ENDNABENRAD KPL |
| | | DICHTPLATTE |
| | | SPURKUGELLAGER 1-REIH. |
| | | RADFELGE OHNE LAGER |
| | | SPURKUGELLAGER 1-REIH. |
| | | GENENMUTTER M/NYLON |
| | | NABENKAPSEL M/GEWINDE |
| | | SCHLAUCH |
| | | REIFEN M/MUSTER |
| | | SCHMIERNIPPEL GERADE |



MIISA TE105 KRB/S 311 RE



Drev for slagleafter

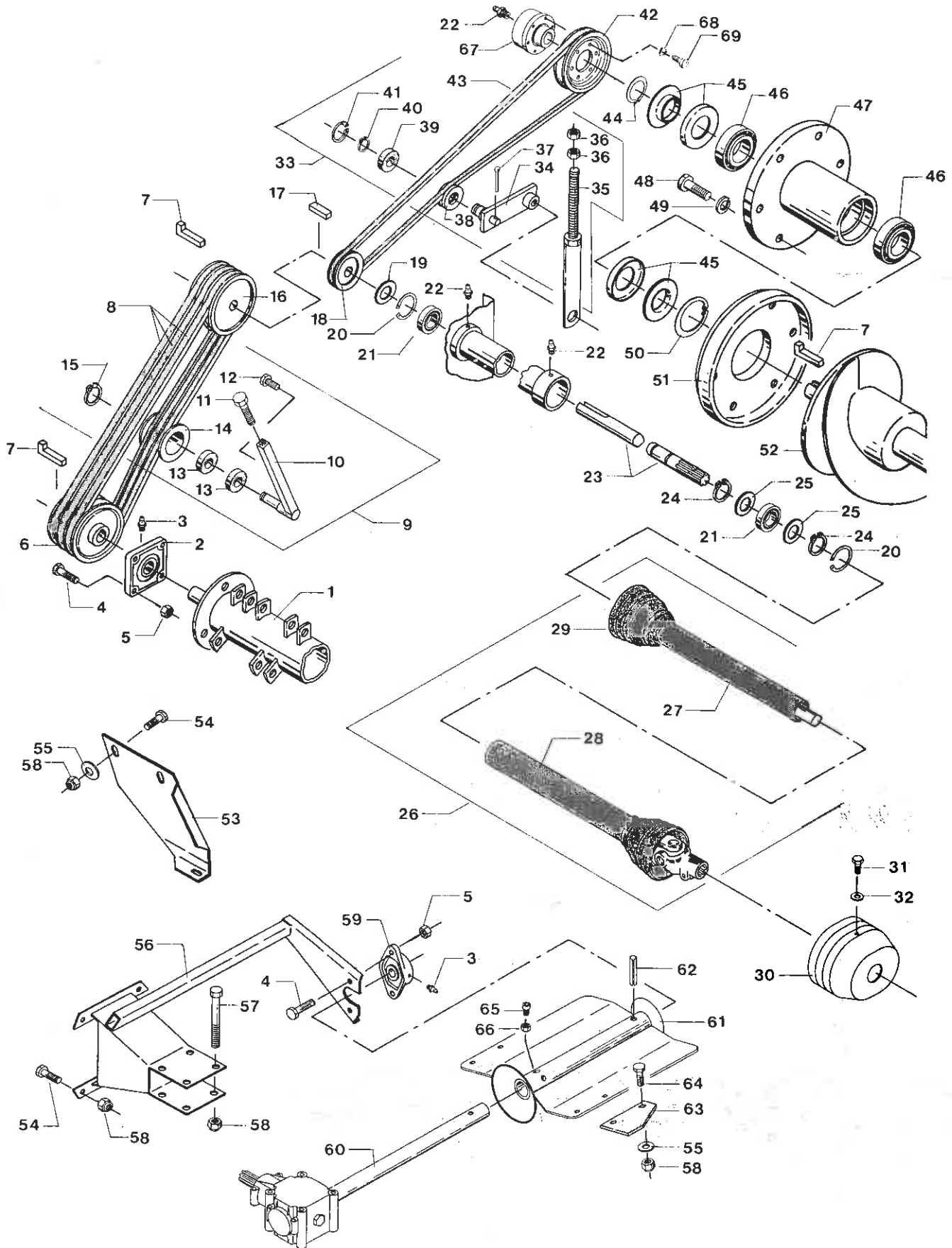
Drive f. flail pulveriser

Antrieb f. Scgl.-Koeffer

| | | | |
|-------------|-------------------------------------|-------------------------|--------------------------|
| 1 502244 | BOM FOR SLAGLER | BAR F. FLAILS | BAUM F. SCHLEGEL |
| 2 15162300 | FLANGELEJE FY 35 TF | FLANGED BEARING | FLANSCHENLAGER |
| 2 15108000 | LEJE F.FLANGE OG STÅLEJE YAR 207-2F | BEARING F/FLANGE+PED.B. | LAGER F/FL.+STEHLAGER |
| 2 15106700 | LEJEHUS F. FLANGELEJE FY 507M | FLANGED BEARING HOUSING | GEHAEUSE/FLANSCHENLAGER |
| 3 13840800 | SMØRENIPPEL LIGE M6 X 1 MM | GREASE NIPPLE STRAIGHT | SCHMIERNIPPEL GERADE |
| 4 14089800 | SETS KRUE GROV M12 X 35 MM | SET SCREW | SETZSCHRAUBE |
| 5 14430700 | LÅSEMØTRIK M12 | LOCK NUT | GEGENMUTTER |
| 6 15227935 | KILEREMSKIVE 3B 150 Ø35 N8 STØBE | V-BELT PULLEY, CAST | KEILRIEMENSCHLEIBE, GUSS |
| 7 14631300 | HAGEKILE 8 X 7 X 45 MM | GIB KEY | NASENKEIL |
| 8 15255661 | KILEREM B62 (17 X 1575 MM) | V-BELT | KEILRIEMEN |
| 9 502248 | REMSTRAMMER KPL. | BELT TENSIONER CPL | RIEMENSPANNER KPL |
| 10 501995 | ARM FOR STRAMMERULLE | ARM F/TIGHTENING ROLLER | ARM F/SPANROLLE |
| 11 14091100 | SETS KRUE GROV M12 X 120 MM | SET SCREW | SETZSCHRAUBE |
| 12 14160600 | TAPSÆTS KRUE GROV M12 X 35 MM | STUD SET SCREW | ZAPFSETZSCHRAUBE |
| 13 15110801 | SPORKUGLELEJE ENRÆK. 6005-2RS | STEP BALL BEARING 1-R. | SPURKUGELLAGER 1-REIH. |
| 14 501993 | STRAMMERULLE | TIGHTENING ROLLER | SPANNROLLE |
| 15 14642500 | SEEGERRING UDV. Ø25 MM | CIRCLIP | SICHERUNGSRING |
| 16 15228235 | KILEREMSKIVE 3B 250 Ø35 N8 STØBE | V-BELT PULLEY, CAST | KEILRIEMENSCHLEIBE, GUSS |
| 17 14617200 | DRIVKILE 8 X 7 X 45 MM | KEY | PASSFEDER |
| 18 15233131 | KILEREMSKIVE 1B 150 Ø35 NØ STØBE | V-BELT PULLEY, CAST | KEILRIEMENSCHLEIBE, GUSS |
| 19 490593 | AFSTANDSRING Ø45 X 35 X 14 MM | SPACE RING | ABSTANDRING |
| 20 14686600 | SEEGERRING INDV. Ø80 MM | CIRCLIP | SICHERUNGSRING |
| 21 15113500 | SPORKUGLELEJE ENRÆK. 6307-RS | STEP BALL BEARING 1-R. | SPURKUGELLAGER 1-REIH. |
| 22 13841000 | SMØRENIPPEL LIGE MF8 X 1 MM | GREASE NIPPLE STRAIGHT | SCHMIERNIPPEL GERADE |
| 23 490891 | DRIVAKSEL F/3 RK. SLAGLEAFT.Ø35X820 | DRIVE SHAFT | ANTRIEBSELLE |
| 24 14643500 | SEEGERRING UDV. Ø35 MM | CIRCLIP | SICHERUNGSRING |
| 25 15512207 | STØTTESKIVE Ø35/Ø45 X 2.5 MM | SUPPORT DISC | STUETZSCHEIBE |
| 26 15402110 | KRAFTA. 1 3/8" F5/1L 1 3/8" L=1060 | PTO SHAFT | GELENKSELLE |
| 27 15368099 | INDV. HALVDEL F. 154-02110 1 3/8" | INNER SHAFT ASSEMBLY | INW. GELENKW.-HALBTEIL |
| 27 15481800 | NÅLELEJEKRYDS W2300-210000 | UNIV. JOINT W/BEARINGS | KREUZGARNITUR |
| 27 15452800 | UDV. BESK.RØR SC15/W2300 6B 1300 MM | OUTER GUARD PIPE | AUSW. SCHUTZROHR |
| 27 15456100 | HOLDEKÆDE | RETAINING CHAIN | HALTEKETTE |
| 28 15388075 | UDV. HALVDEL F. 154-02110 1 3/8" | OUTER SHAFT ASSEMBLY | AUSW. GELENKW.-HALBTEIL |
| 28 15481800 | NÅLELEJEKRYDS W2300-210000 | UNIV. JOINT W/BEARINGS | KREUZGARNITUR |
| 28 15448515 | INDV. BESK.RØR SC15/2300 12B 1500MM | INNER GUARD PIPE | INW. SCHUTZROHR |
| 28 15456100 | HOLDEKÆDE | RETAINING CHAIN | HALTEKETTE |
| 29 15436202 | FRILØBSKOBLING F5/1L 1 3/8" W2300 | OVERRUNNING CLUTCH | FREILAUFKUPPLUNG |
| 29 504003 | KILESÆT M/FJEDER F. FRILØB F5/1 | KEY SET W/SPRING/IDLING | KEILSATZ M/FED./FREILA. |
| 29 15479005 | AGRASET HURTI GLÅS KPL. | AGRASET QUICK LOCK CPL | AGRASET SCHNELLSCHLOSS |
| 30 492039 | PLASTSKÆRM | PLAST SCREEN | PLASTSCHIRM |
| 31 14085300 | SETS KRUE GROV M8 X 16 MM | SET SCREW | SETZSCHRAUBE |
| 32 14480200 | SPEC. SKIVE 25 X 8.5 X 2.0 MM | SPECIAL WASHER | SPEZIALSCHEIBE |
| 33 490660 | REMSTRAMMER KPL. | BELT TENSIONER CPL | RIEMENSPANNER KPL. |
| 34 501125 | ARM F. REMSTRAMMER | ARM F/BELT TENSIONER | ARM F/RIEMENSPANNER |
| 35 490659 | STRAMMEBOLT KPL. | TIGHTENING BOLT CPL. | SPANNBOLZEN KPL. |
| 36 14410700 | MØTRIK M12 | NUT | MUTTER |
| 37 14528000 | JERNSPLIT Ø5 X 20 MM | SPLIT PIN | EISENSPLINT |
| 38 490482 | REMSKIVE | PULLEY | RIEMENSCHLEIBE |
| 39 15111700 | SPORKUGLELEJE ENRÆK. 6205-2RS | STEP BALL BEARING 1-R. | SPURKUGELLAGER 1-REIH. |
| 40 14642500 | SEEGERRING UDV. Ø25 MM | CIRCLIP | SICHERUNGSRING |
| 41 14685000 | SEEGERRING INDV. Ø52 MM | CIRCLIP | SICHERUNGSRING |
| 42 494996 | KILEREMSKIVE 1B Ø150 | V-BELT PULLEY | KEILRIEMENSCHLEIBE |
| 43 15255655 | KILEREM B37 (17 X 925 MM) | V-BELT | KEILRIEMEN |



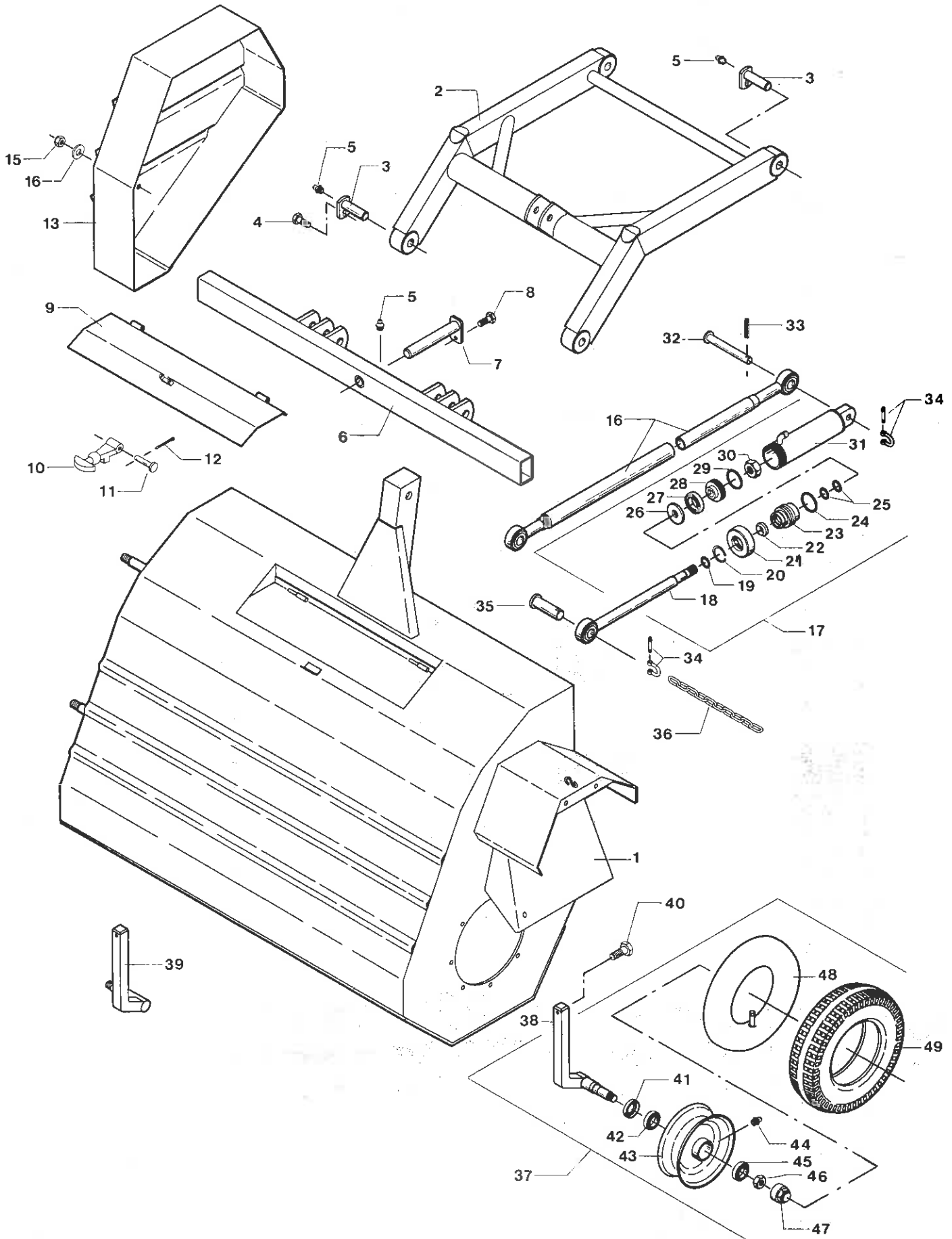
MIISA TE105 KRB/S 311 RE



| | | | |
|-------------|-------------------------------------|-------------------------|-------------------------|
| 44 14644000 | SEEGERING UDV. Ø 40 MM | CIRCLIP | SICHERUNGSRING |
| 45 13365900 | LABYRINTTETNING Ø80/40 X 6 MM | LABYRINTH SEAL | LABYRINTHDICHTUNG |
| 46 15112200 | SPORKUGLELEJE ENRÆK. 6208 | STEP BALL BEARING 1-R. | SPURKUGELLAGER 1-REIH. |
| 47 477019 | FLANGE Ø248/Ø100 X 150 MM | FLANGE | FLANSCH |
| 48 14089800 | SÆTSKRUE GROV M12 X 35 MM | SET SCREW | SETZSCHRAUBE |
| 49 14462700 | CENTERFJEDERSKIVE M12 | SPRING WASHER | FEDERSCHEIBE |
| 50 14688600 | SEEGERRING INDV. Ø100 MM | CIRCLIP | SICHERUNGSRING |
| 51 477034 | FLANGE | FLANGE | FLANSCH |
| 52 477043 | SNEGL F. AFTOPPER 3 RK. 89 | AUGER F/PULVERISER 3-R. | SCHRAUBE F/KOEPPER 3-R. |
| 53 490647 | UDKASTERSKÆRM | GUARD F/EJECTOR | SCHIRM F/AUSWERFER |
| 54 14085300 | SÆTSKRUE GROV M8 X 16 MM | SET SCREW | SETZSCHRAUBE |
| 55 14480200 | SPEC. SKIVE 25 X 8.5 X 2.0 MM | SPECIAL WASHER | SPEZIALSCHEIBE |
| 56 501131 | HOLDER F. GEARCASSE | HOLDER F/GEARBOX | HALTER F/GETRIEBE |
| 57 14045200 | MASKINBOLT GROV M10 X 120 MM | BOLT | BOLZEN |
| 58 14430300 | LÅSEMØTRIK M8 | LOCK NUT | GEGENMUTTER |
| 59 15105300 | LEJEHUS FYTB 505M | BEARING HOUSING | LAGERGEHÆUSE |
| 59 15107800 | LEJE F.FLANGE OG STÅLEJE YAR 205-2F | BEARING F/FLANGE+PED.B. | LAGER F/FL.+STEHLAGER |
| 59 15175400 | FLANGELEJE OVAL FYTB 25 TF | FLANGED BEARING, OVAL | FLANSCHENLAGER, OVAL |
| 60 15510400 | VINKELGEARKASSE | RIGHT-ANGLE GEAR | WINKELGETRIEBE |
| 61 490655 | TOPSPREDER | TOP SPREADER | KOPFSTREUER |
| 62 14574400 | RØRSPENDESTIFT Ø8 X 40 MM | DOWEL | ROHRSPANNSTIFT |
| 63 490895 | GUMMI V/TOPSPREDER 10 X 75 X 100 MM | RUBBER AT TOP SPREADER | GUMMI A/KOPFSTREUER |
| 64 14085600 | SÆTSKRUE GROV M8 X 30 MM | SET SCREW | SETZSCHRAUBE |
| 65 14284500 | UNBRACO MSP M8 X 16 MM | UNBRACO SCREW | UNBRACOSCHRAUBE |
| 66 14410400 | MØTRIK M8 | NUT | MUTTER |
| 67 15436005 | SPEC. SIKKERHEDSKOBL. K31 50NM Ø30 | SPEC. SAFETY COUPLING | SPEZ. SICHERHEITSKUPP. |
| 68 14462500 | CENTERFJEDERSKIVE M8 | SPRING WASHER | FEDERSCHEIBE |
| 69 14085300 | SÆTSKRUE GROV M8 X 16 MM | SET SCREW | SETZSCHRAUBE |



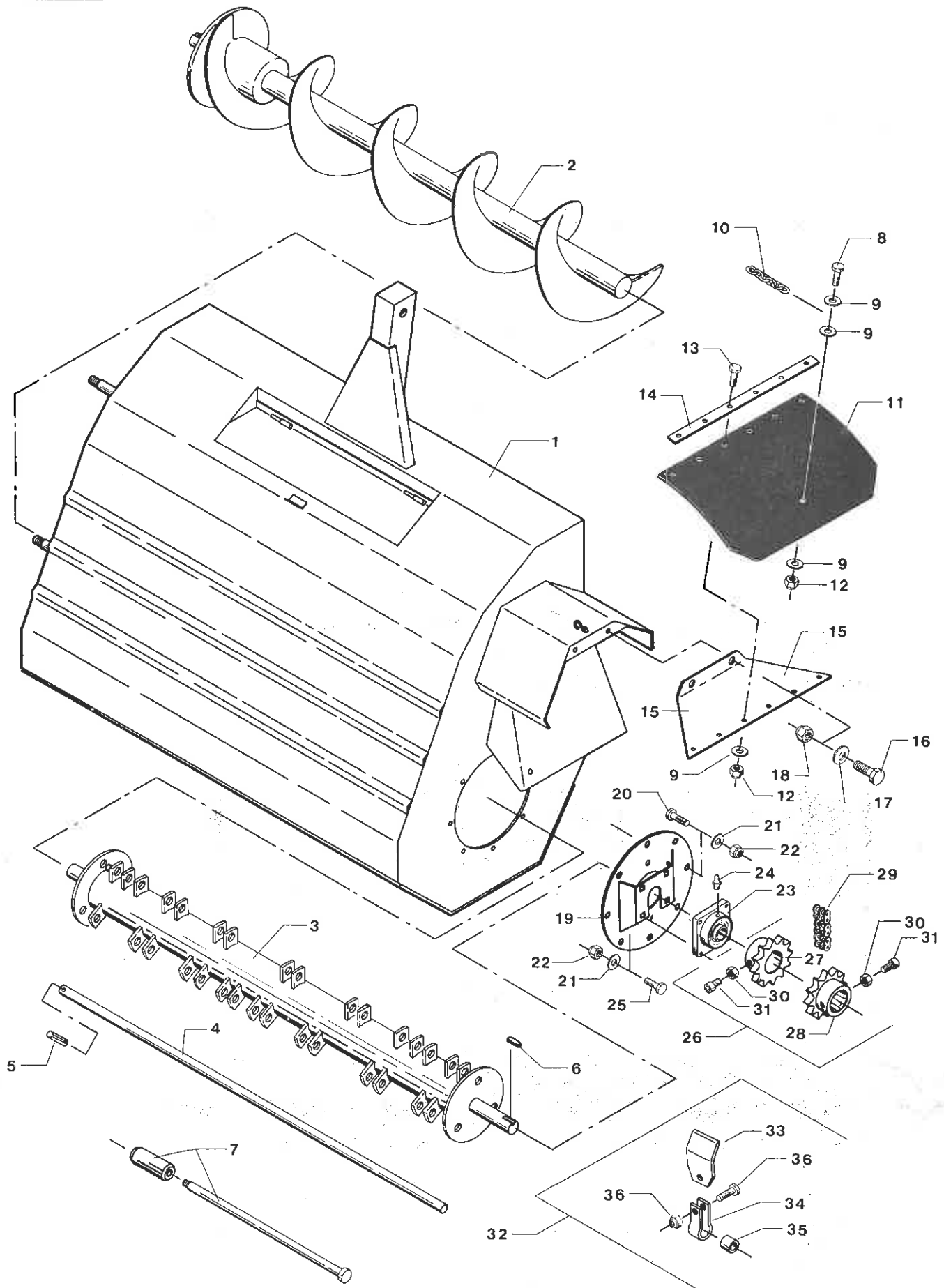
MIISA TE105 KRB/S 311 RE



| | Ophæng for slagleaftopper | Sosp. f. flail pulveriser | Aufh. f. Schl.-Koepper |
|----|--|---------------------------|-------------------------|
| 1 | 490277 HUS FOR SLAGLEAFTOPPER 3-RK. | HOUSING F/PULVERISER | GEHAUESEF/KOEPFER |
| 2 | 490282 BÆRERAMME F/AFTOPPER, 3 RK. SLAGLE | CARR. FRAME FLAIL PULV. | TRAGRAHMEN/SCHL.-KOEPF. |
| 3 | 501375 NAGLE M/SMØRING Ø25 X 105 MM | PIN W/GREASE NIPPLE | NAGEL M/SCHMIERUNG |
| 4 | 14087400 SÆTSKRUE GROV M10 X 20 MM | SET SCREW | SETZSCHRAUBE |
| 5 | 13841000 SMØRENIPPEL LIGE MF8 X 1 MM | GREASE NIPPLE STRAIGHT | SCHMIERNIPPEL GERADE |
| 6 | 490687 LØFTEBOM 3-RK. | LIFTING BAR | HEBBAUM |
| 7 | 490665 NAGLE | PIN | NAGEL |
| 8 | 14085400 SÆTSKRUE GROV M8 X 20 MM | SET SCREW | SETZSCHRAUBE |
| 9 | 501657 LÅGE KPL. 1986 | GATE CPL. | KLAPPE KPL. |
| 10 | 15312501 GUMMISTROP 115 MM | RUBBER STRAP | GUMMISTROPP |
| 11 | 14510500 NITTE RUNDH. Ø4.6 X 40 MM | RIVET SNAPHEAD | NIET SCHELLKOPF |
| 12 | 14521000 JERNSPILT Ø2 X 12 MM | SPLIT PIN | EISENSPLINT |
| 13 | 490657 SKÆRM | GUARD | SCHIRM |
| 14 | 14440400 SVÆR SKIVE 10.5 X 21 X 2 MM | WASHER | SCHETBE |
| 15 | 14430700 LÅSEMØTRIK M12 | LOCK NUT | GEGENMUTTER |
| 16 | 15853500 FORLÆNGET TOPSTANG L=1250 MM | TOP BAR 1250 MM | OBERSTANGE 1250 MM |
| 17 | 494153 CYL. E65/30 - 510/800 MM | CYLINDER | ZYLINDER |
| 17 | 471284 PAKNINGSSET DYBDEREG. CYLINDER | GASKET SET/DEPTH RAM | DICHTSATZ/TIEFREG.ZYL. |
| 18 | 494164 STEMPELSTANG Ø30 X 435 MM | PISTON ROD | KOLBENSTANGE |
| 19 | 13312000 O-RING Ø19.2 X 3 MM | O-RING | O-RING |
| 20 | 14652000 SEEGERING UDV. Ø50 MM | CIRCLIP | SICHERUNGSRING |
| 21 | 471325 TOPMØTRIK, LILLE Ø96.5/Ø46.7 X 32MM | TOP NUT, SMALL | KOPFMUTTER, KLEIN |
| 22 | 13387000 AFSTRYGER 30 X 40 X 7/10 MM | WIPER | ABSTREIFER |
| 23 | 491651 STEMPELSTYR F. Ø65 RØR | PISTON GUIDE | KOLBENFUEHRUNG |
| 24 | 13316000 O-RING Ø53.34 X 5.33 MM | O-RING | O-RING |
| 25 | 13314000 O-RING Ø29.75 X 3.53 MM | O-RING | O-RING |
| 26 | 443490 SKIVE Ø64/Ø25.5 X 6 MM | DISC | SCHETBE |
| 27 | 13345000 NUTRING 40 X 65 X 12 MM | OIL SEAL | MANSCHETTE |
| 28 | 471301 MANCHETHOLDER Ø65 | OIL SEAL HOLDER | HALTER F/MANSCHETTE |
| 29 | 13316000 O-RING Ø53.34 X 5.33 MM | O-RING | O-RING |
| 30 | 14408610 STÅLMØTRIK UNF 1" | STEEL NUT | STAHLMUTTER |
| 31 | 494161 CYLINDERRØR Ø75/Ø65 X 395 MM | CYLINDER TUBE | ZYLINDERROHR |
| 32 | 444593 NAGLE FOR CYL. V/AFT. Ø19/11X120 MM | PIN F/PULVERISER RAM | NAGEL F/KOEPFERZYLINDER |
| 33 | 14580700 RØRSPÆNDESTIPT Ø12 X 50 MM | DOWEL | ROHRSPANNSTIPT |
| 34 | 14842500 D-SJÆKEL FZB 3/8" | D-SHACKLE | D-SCHAEKEL |
| 35 | 471280 NAGLE F. STJÆRTCYL. Ø19/10 X 72 MM | LONG PIN F/TAIL RAM | NAGEL LANG F/DEICH.ZYL. |
| 36 | 443570 KÆDE FOR UNDERMASKINE 7 LED | SUBFRAME CHAIN 7 LINKS | UNTERMASCH.KETTE 7 GL. |
| 37 | 15051800 ENDENAVSHJUL KPL. 5.00 X 8" - 6 PLY | END HUB WHEEL CPL | ENDNABENRAD KPL |
| 38 | 490701 HJULOPSTANDER VENSTRE 3 RK. | WHEEL STALK LH | RADSTAENDER L. |
| 39 | 490703 HJULOPSTANDER HØJRE 3 RK. | WHEEL STALK RH | RADSTAENDER R. |
| 40 | 14162400 TAPSÆTSKRUE GROV M16 X 35 MM | STUD SET SCREW | ZAPFSETZSCHRAUBE |
| 41 | 13374900 TÆTNINGSPLADE Z-LAMEL Ø52/25 X 5 MM | SEAL RING | DICHTPLATTE |
| 42 | 15111600 SPORKUGLELEJE ENREK. 6205 | STEP BALL BEARING 1-R. | SPURKUGELLAGER 1-REIH. |
| 43 | 15030301 HJULFÆLG UDEN LEJER 3.00DX8" 37998 | WHEEL RIM W.O. BEARINGS | RADFELGE OHNE LAGER |
| 44 | 13840800 SMØRENIPPEL LIGE M6 X 1 MM | GREASE NIPPLE STRAIGHT | SCHMIERNIPPEL GERADE |
| 45 | 15113000 SPORKUGLELEJE ENREK. 6304 | STEP BALL BEARING 1-R. | SPURKUGELLAGER 1-REIH. |
| 46 | 14421800 LÅSEMØTRIK M/NYLON UNF5/8"XH13.9 MM | LOCK NUT W/NYLON | GEGENMUTTER M/NYLON |
| 47 | 15048100 NAVKAPSEL NAGBØL Ø52 MM M/GEVIND | HUB CAP W/THREAD | NABENKAPSEL M/GEWINDE |
| 48 | 15015300 SLANGE 5.00 X 8" | TUBE | SCHLAUCH |
| 49 | 15010300 DEK MED MØNSTER 5.00 X 8" - 6 PLY | TYRE W/PATTERN | REIFEN M/MUSTER |
| 50 | 17876500 METALSTIK BUFFER Ø51 X 19 MM | RUBBER BUFFER W/BOLT | GUMMIPUFFER M/BOLZEN |



MIISA TE105 KRB/S 311 RE

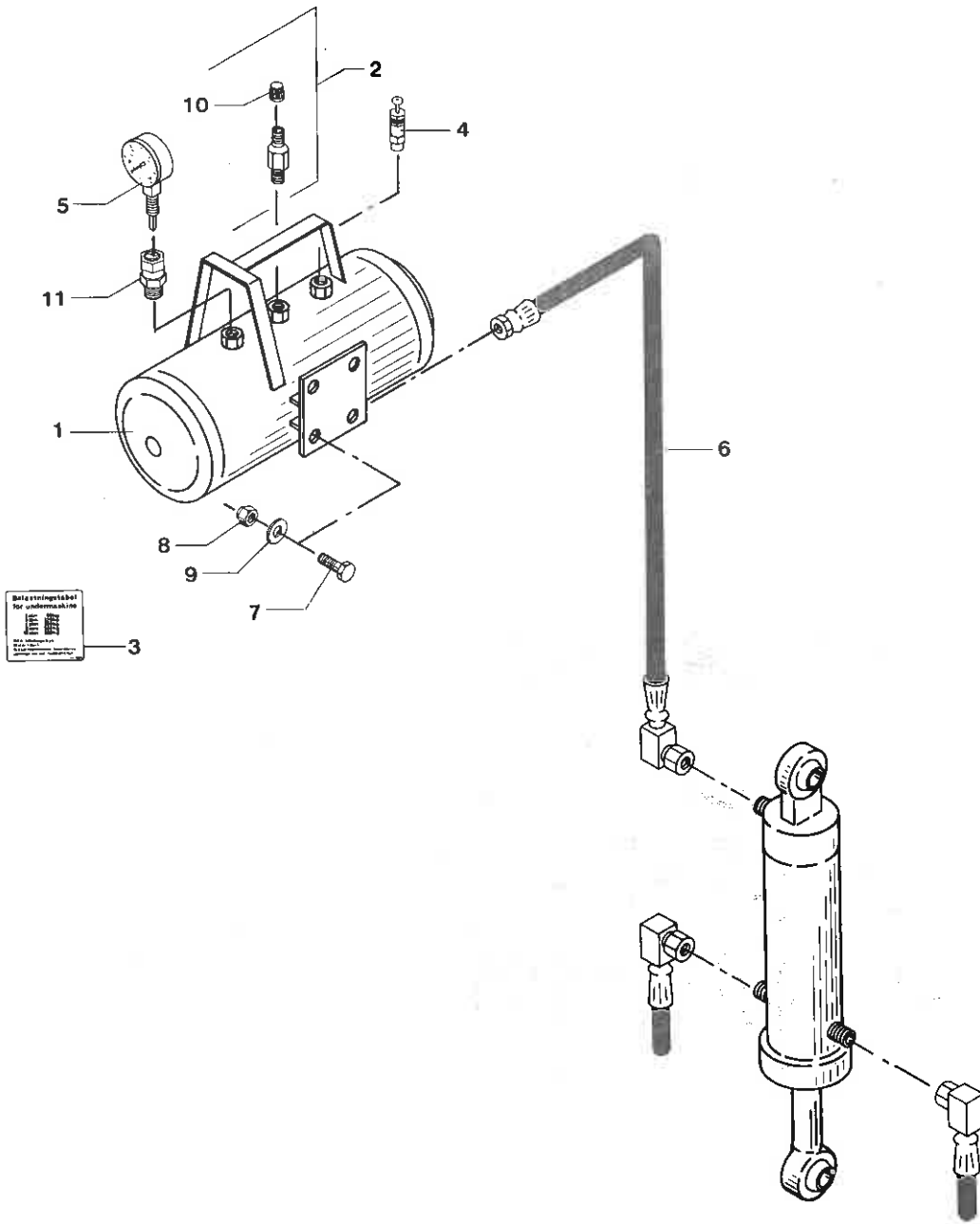


Bom + snegl f. slagleaftopper Bar + screw f. flail pulverise Baum + Schraube f. Schl.-K.

| | | | |
|-------------|-------------------------------------|-------------------------|-------------------------|
| 1 490277 | HUS FOR SLAGLEAFTOPPER 3-RK. | HOUSING F/PULVERISER | GEHAEUSEF/KOEPPER |
| 2 477043 | SNEGL F. AFTOPPER 3 RK. 89 | AUGER F/PULVERISER 3-R. | SCHRAUBE F/KOEPPER 3-R. |
| 3 502244 | BOM FOR SLAGLER | BAR F. FLAILS | BAUM F. SCHLEGEL |
| 4 502378 | AKSEL F. KNIVE Ø20 X 1245 MM | KNIFE SHAFT | MESSERWELLE |
| 5 14574400 | RØRSPENDESTIFT Ø8 X 40 MM | DOWEL | ROHRSPANNSTIFT |
| 6 14607410 | PASFEDER 8 X 7 X 20 MM | KEY | PASSFEDER |
| 7 490141 | AFTRÆKKER KPL. F/SLAGLEAFTOPPER | DISMANTLING DEVICE CPL. | ABZIEHGERAET KPL. |
| 8 14085500 | SÆTSKRUE GROV M8 X 25 MM | SET SCREW | SETZSCHRAUBE |
| 9 14480200 | SPEC. SKIVE 25 X 8.5 X 2.0 MM | SPECIAL WASHER | SPEZIALSCHEIBE |
| 10 15326500 | METERKÆDE, PR. M. | METER CHAIN, PER M. | METERKETTE, PRO M. |
| 11 501478 | GUMMISKÆRM 6 X 320 X 460 MM | RUBBER GUARD | GUMMISCHIRM |
| 12 14430300 | LÅSEMØTRIK M8 | LOCK NUT | GEGENMUTTER |
| 13 14085400 | SÆTSKRUE GROV M8 X 20 MM | SET SCREW | SETZSCHRAUBE |
| 14 501474 | SPENDEBESLAG F. SKÆRM | CLAMP F/GUARD | SPANNBESCHLAG F/SCHIRM |
| 15 501473 | BESLAG F. GUMMISKÆRM | MOUNTING F/RUBBER GUARD | BESCHLAG F/GUMMISCHIRM |
| 16 14087500 | SÆTSKRUE GROV M10 X 25 MM | SET SCREW | SETZSCHRAUBE |
| 17 14440400 | SVÆR SKIVE 10.5 X 21 X 2 MM | WASHER | SCHEIBE |
| 18 14430500 | LÅSEMØTRIK M10 | LOCK NUT | GEGENMUTTER |
| 19 501126 | FLANGE F. LEJE | FLANGE F/BEARING | FLANSCH F/LAGER |
| 20 14089600 | SÆTSKRUE GROV M12 X 25 MM | SET SCREW | SETZSCHRAUBE |
| 21 14453000 | SVÆR SKIVE 1/2" | WASHER | SCHEIBE |
| 22 14430700 | LÅSEMØTRIK M12 | LOCK NUT | GEGENMUTTER |
| 23 15108000 | LEJE F.FLANGE OG STÅLEJE YAR 207-2F | BEARING F/FLANGE+PED.B. | LAGER F/FL.+STEHLAGER |
| 23 15106700 | LEJEHUS F. FLANGELEJE FY 507M | FLANGED BEARING HOUSING | GEHAEUSE/FLANSCHENLAGER |
| 24 13840800 | SMØRENIPPEL LIGE M6 X 1 MM | GREASE NIPPLE STRAIGHT | SCHMIERNIPPEL GERADE |
| 25 14089700 | SÆTSKRUE GROV M12 X 30 MM | SET SCREW | SETZSCHRAUBE |
| 26 501170 | KOBLINGSDEL M/SKIVE | CLUTCH PART W/DISC | KUPLUNGSTEIL M/SCHEIBE |
| 27 419160 | KÆDEHJ. 3/4"-12TDR-Ø35-N8-M/NAV | SPROCKET 12T. W/HUB | KETTENRAD 12Z. M/NABE |
| 28 490667 | KÆDEHJ. 3/4"-12T. M/MANGENOT 1 3/8" | SPROCKET | KETTENRAD |
| 29 15221006 | RULLEKÆDE DUP. 3/4"X7/16"X11L.210MM | ROLLER CHAIN 11 LINKS | ROLLENKETTE 11 GLIED |
| 29 15216000 | SAMLELED LIGE 3/4" X 11.68MM(7/16") | JOINT LINK STRAIGHT | SAMMELGLIED GERADE |
| 29 15211000 | SAMLELED FORKR. 3/4"X11.68MM(7/16") | JOINT LINK CRANKED | SAMMELGLIED VERKROEFFT |
| 30 14410400 | MØTRIK M8 | NUT | MUTTER |
| 31 14256600 | UNBRACO MC 8 X 20 MM | UNBRACO SCREW | UNBRACOSCHRAUBE |
| 32 19010000 | KNIV KPL. | KNIFE CPL | MESSER KPL |
| 33 19010001 | KNIV | KNIFE | MESSER |
| 34 19010002 | KNIVHOLDER | KNIFE HOLDER | MESSERHALTER |
| 35 19010003 | BØSNING F. KNIVHOLDER | BUSH F. KNIFE HOLDER | BUCHSE F. MESSERHALTER |
| 36 19010004 | BOLT M. MØTRIK | BOLT W. NUT | BOLZEN M. MUTTER |



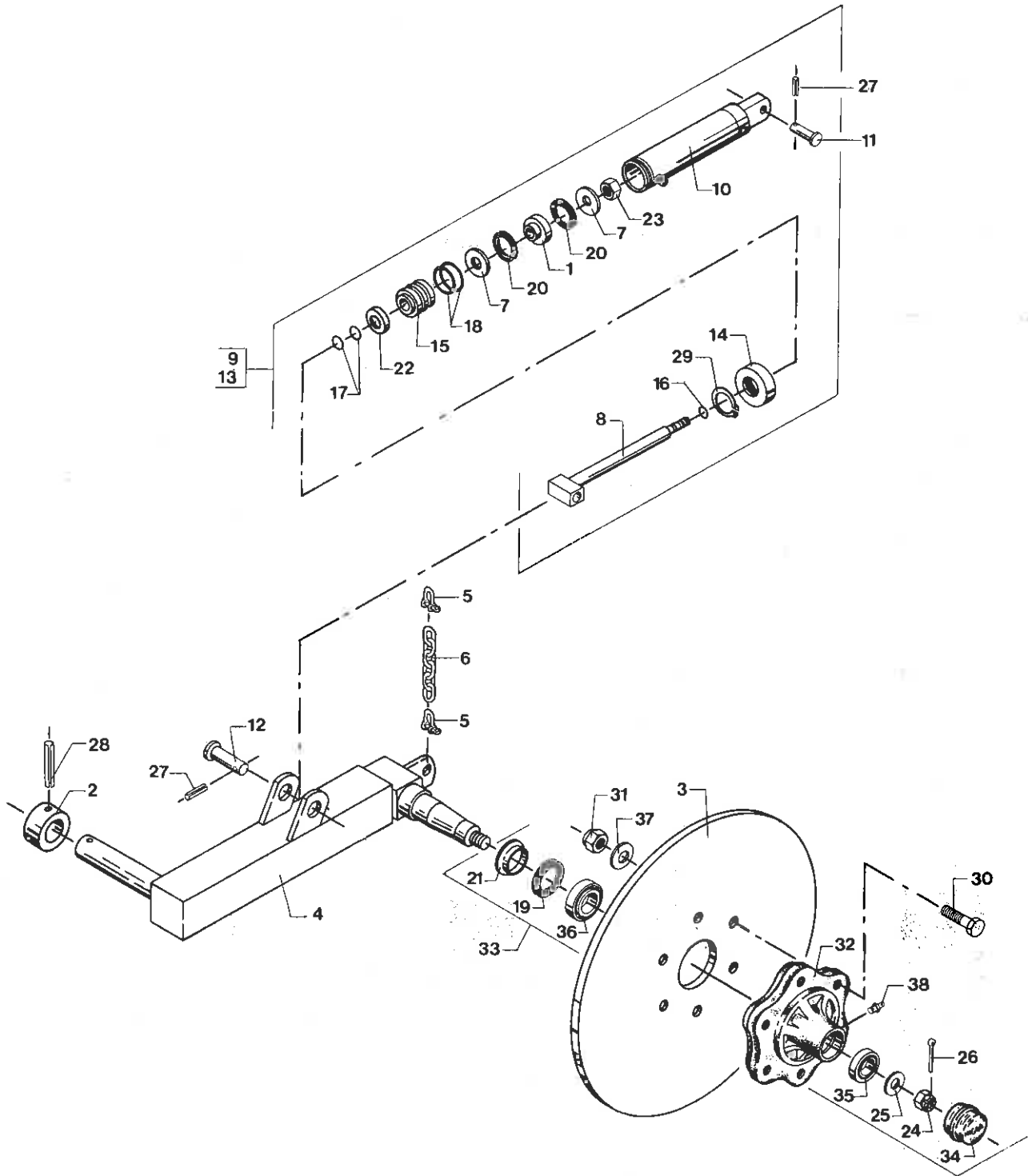
MIIISA TE105 KRB/S 311 RE



| Hydrofor | Pressure accumulator | Druckbehälter | |
|-------------|------------------------------------|--------------------|------------------------|
| 1 501648 | LUFTBEHOLDER | AIR CONTAINER | LUFTBEHÄLTER |
| 2 501650 | PUMPENIPPEL KPL. | PUMP NIPPLE CPL | PUMPENIPPEL KPL |
| 3 12410300 | TRANSFER BELASTNINGSTABEL UNDERM. | TRANSFER - DK | AUFKLEBER - DK |
| 4 13637000 | SIKKERHEDSVENTIL 10 BAR - 1/4" BSP | SAFETY VALVE | SICHERHEITSVENTIL |
| 5 13632500 | LUFTMANOMETER 0-10 BAR - 1/4" BSP | AIR MANOMETER | LUFTMANOMETER |
| 6 13756313 | HYDR. SLANGE Ø3/8" X 1350 MM | HYDR. HOSE | HYDR. SCHLAUCH |
| 7 14089800 | SETSKRUE GROV M12 X 35 MM | SET SCREW | SETZSCHRAUBE |
| 8 14430700 | LÅSEMØTRIK M12 | LOCK NUT | GEGENMUTTER |
| 9 14440500 | SVÆR SKIVE 13 X 24 X 2.5 MM | WASHER | SCHEIBE |
| 10 17800200 | VENTILHÆTTE | VALVE CAP | VENTILKAPPE |
| 11 13408400 | NIPPEL M/OMLØBER 1/4"OML.X1/4" BSP | NIPPLE W/SCREW CAP | NIPPEL M/UEBERW.MUTTER |



MIISA TE105 KRB/S 311 RE



| Styreskive | Stabilizer disc | Hangscheibe |
|-------------|--------------------------------------|--------------------------|
| 1 350211 | MANCHETHOLDER DOB. Ø65 | SLEEVE HOLDER DOUBLE |
| 2 443504 | STOPRING STOR Ø71/Ø36 X 37 MM | STOP RING, LARGE |
| 3 443518 | STYRESKIVE Ø700 X 12 MM | STABILIZER DISC |
| 4 445158 | UDLÆGGERARM KPL. | BRACKET ARM CPL. |
| 5 14842500 | D-SJÆKEL FØB 3/8" | D-SHACKLE |
| 6 443570 | KEDE FOR UNDERMASKINE 7 LED | SUBFRAME CHAIN 7 LINKS |
| 7 444350 | SKIVE FOR Ø65 RØR | DISC |
| 8 471208 | STEMPEL F. CYLINDER V/STJÆRT | PISTON F/TAIL RAM |
| 9 471227 | CYLINDER F. SIDESTYR KPL. | SIDE STEERING RAM CPL |
| 10 471228 | CYLINDERRØR KPL. | CYLINDER TUBE CPL |
| 11 471230 | LÅSETAP F. CYLINDER V/STJÆRT Ø19X45 | LINCH PIN F/TAIL RAM |
| 12 471280 | NAGLE F. STJÆRTCYL. Ø19/10 X 72 MM | LONG PIN F/TAIL RAM |
| 13 471283 | PAKNINGSSÆT D65/30 | GASKET SET |
| 14 471325 | TOPMØTRIK, LILLE Ø96.5/Ø46.7 X 32MM | TOP NUT, SMALL |
| 15 491651 | STEMPELSTYR F. Ø65 RØR | PISTON GUIDE |
| 16 13312000 | O-RING Ø19.2 X 3 MM | O-RING |
| 17 13314000 | O-RING Ø29.75 X 3.53 MM | O-RING |
| 18 13316000 | O-RING Ø53.34 X 5.33 MM | O-RING |
| 19 13333200 | SIMMERRING 55 X 75 X 10 MM | OIL SEAL |
| 20 13345000 | NUTRING 40 X 65 X 12 MM | OIL SEAL |
| 21 13374700 | TÆTNINGSPLADE HDL45 Ø72.4/52.5 | SEAL RING |
| 22 13387000 | AFSTRYGER 30 X 40 X 7/10 MM | WIPER |
| 23 14408610 | STÅLMØTRIK UNF 1" | STEEL NUT |
| 24 14439010 | KRONEMØTRIK MF30 X 1.5 MM | CASTELLATED NUT |
| 25 14441200 | SVÆR SKIVE 28 X 50 X 4 MM | WASHER |
| 26 14528600 | JERNSPLIT Ø5 X 50 MM | SPLIT PIN |
| 27 14574600 | RØRSPENDESTIFT Ø8 X 50 MM | DOWEL |
| 28 14582100 | RØRSPENDESTIFT Ø13 X 70 MM | DOWEL |
| 29 14652000 | SEEGERRING UDV. Ø50 MM | CIRCLIP |
| 30 15021100 | NAV BOLT M/FLANGE M18 X 2.5 X 47.5MM | HUB BOLT W/FLANGE |
| 31 15024600 | NAV MØTRIK A18 X 1.5 MM | HUB NUT |
| 32 15043910 | NAVHUS HDL45 6/161/205 | HUB HOUSING |
| 33 15043911 | NAVHUS KPL. HDL45 6/160/205 | HUB HOUSING CPL |
| 34 15048700 | NAVKAPSEL HDL 45 NAGBØL Ø63MM U/GE. | HUB CAP WO/THREAD |
| 35 15193000 | R-LEJE KON.TIMKEN 68149/110 Ø35INDV | CONE ROLLER BEARING |
| 36 15194000 | R-LEJE KON.TIMKEN 102949/910 Ø45IND | CONE ROLLER BEARING |
| 37 14464900 | KONISK FJEDERSKIVE C18.5 | CONICAL SPRING WASHER |
| 38 13810800 | DRIVNIPPEL 6 MM | GREASE NIPPLE |
| | | HALTER F/MANSCH. DOPPEL |
| | | HALTERING, GROSS |
| | | HANGSCHEIBE |
| | | AUSLEGERARM KPL. |
| | | D-SCHAEKEL |
| | | UNTERMASCH.KETTE 7 GL. |
| | | SCHEIBE |
| | | KOLBEN F/DEICHELZYL. |
| | | SEITENSTEUERZYLINDER KP |
| | | ZYLINDERROHR KPL |
| | | SPERRZAPFEN/DEICHS.ZYL. |
| | | NAGEL LANG F/DEICHS.ZYL. |
| | | DICHTSATZ |
| | | KOPFMUTTER, KLEIN |
| | | KOLBENFUEHRUNG |
| | | O-RING |
| | | O-RING |
| | | O-RING |
| | | O-RING |
| | | OELFANGRING |
| | | MANSCHETTE |
| | | DICHTPLATTE |
| | | ABSTREIFER |
| | | STAHLMUTTER |
| | | KRONEMUTTER |
| | | SCHEIBE |
| | | EISENSPLINT |
| | | ROHRSPANNSTIFT |
| | | ROHRSPANNSTIFT |
| | | SICHERUNGSRING |
| | | NABBOLZEN M/FLANSCH |
| | | NABMUTTER |
| | | NABENGEHÄUSE |
| | | NABENGEHÄUSE KPL |
| | | NABENKAPSEL O/GEWINDE |
| | | KEGELROLLENLAGER |
| | | KEGELROLLENLAGER |
| | | FEDERSCHEIBE KONISCH |
| | | TRIEBNIPPEL |

Gearkasse 155-10800

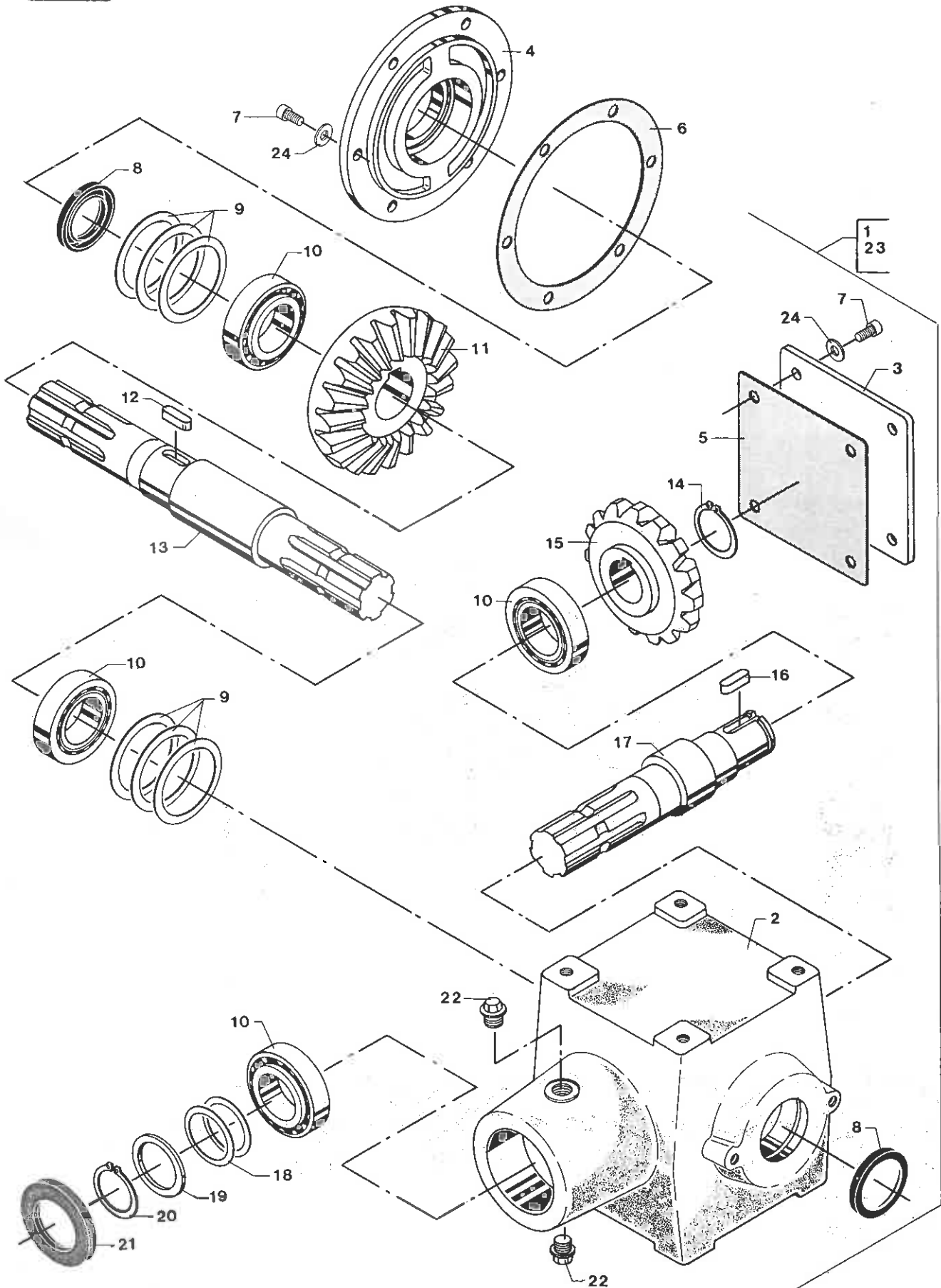
Gearbox 155-10800

Getriebe 155-10800

| | | | |
|-------------|-------------------------------------|-------------------------|-------------------------|
| 1 15510800 | VINKELGEARKS. TYPE U10HVX1 3/8" 1:1 | RIGHT-ANGLE GEAR | WINKELGETRIEBE |
| 2 15510801 | GEARHUS | GEARBOX HOUSING | GETRIEBEGEHAEUSE |
| 3 15510803 | DÆKSEL | COVER | DECKEL |
| 4 15510707 | DÆKSEL | COVER | DECKEL |
| 5 15510706 | DÆKSEL | COVER | DECKEL |
| 6 14254900 | UNBRACO MC 6 X 16 MM | UNBRACO SCREW | UNBRACOSCHRAUBE |
| 7 13327700 | SIMMERRING 35 X 47 X 7 MM | OIL SEAL | OELFANGRING |
| 8 15510708 | PAKNING 0.25 MM | GASKET | DICHTUNG |
| 9 15512206 | MELLEMLÆG Ø62 X 0.22 MM | FILLER | ZWISCHENLAGE |
| 10 15144500 | RULLELEJE KONISK 32007 | CONE ROLLER BEARING | KEGELROLLENLAGER |
| 11 15510704 | KRONHJUL Z=29 | CROWN WHEEL | KRONRAD |
| 12 15510805 | AFSTANDSRING Ø44.5/36.5 X 5 MM | SPACE RING | ABSTANDRING |
| 13 14607418 | PASFEDER 8 X 7 X 35 MM | KEY | PASSFEDER |
| 14 14608310 | PASFEDER 10 X 8 X 20 MM | KEY | PASSFEDER |
| 16 15510804 | AFSTANDSRING Ø44.5/36.5 X 29 MM | SPACE RING | ABSTANDRING |
| 17 13327900 | SIMMERRING 35 X 62 X 7 MM | OIL SEAL | OELFANGRING |
| 18 14696200 | SEEGERRING UDV. KONISK 35 X 1.5 MM | CIRCLIP CONICAL | SICHERUNGSRING KONISCH |
| 19 15516000 | SPIDSHJULSAKSEL | PINION SHAFT | KEGELRADWELLE |
| 20 14607410 | PASFEDER 8 X 7 X 20 MM | KEY | PASSFEDER |
| 21 15516500 | SPIDSHJUL Z=29 | PINION | KEGELRAD |
| 22 14696000 | SEEGERRING UDV. 25 X 1.2 MM | CIRCLIP | SICHERUNGSRING |
| 23 15510806 | PAKNING 1 MM | GASKET | DICHTUNG |
| 24 13430300 | HYDR. RØRPROP UDEN RAND 1/2" BSP | HYDR. PIPE PLUG WO/BRIM | HYDR. ROHRPROFF. O/RAND |
| 25 15596300 | PAKNINGSSÆT F. 155-10800 | GASKET SET | DICHTSATZ |
| 26 14442900 | PLAN SKIVE 6.4 X 12.5 X 1.6 MM | FACE PLATE | PLANSCHETBE |



MIISA TE105 KRB/S 311 RE



Gearkasse 155-13000

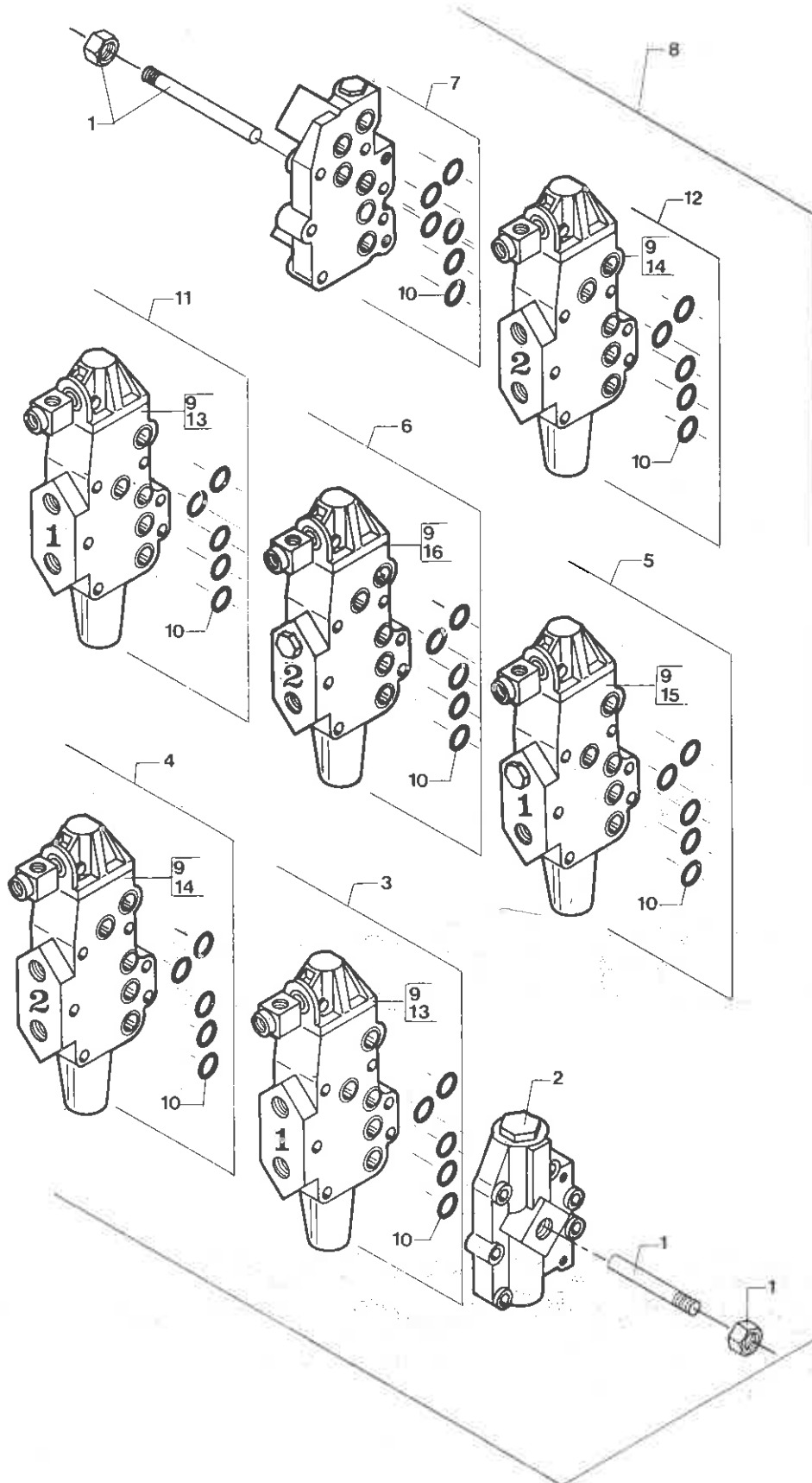
Gearbox 155-13000

Getriebe 155-13000

| | | | | |
|----|----------|-------------------------------------|------------------------|-------------------------|
| 1 | 15513000 | GEARKASSE 1:1 3-VEJS | GEARBOX 3-WAY | GETRIEBE 3-WEG |
| 2 | 15513001 | GEARHUS | GEARBOX HOUSING | GETRIEBEGEHAEUSE |
| 3 | 15512202 | DÆKSEL, LUKKET | COVER, CLOSED | DECKEL, GESCHL. |
| 4 | 15512210 | DÆKSEL, ÅBEN | COVER, OPEN | DECKEL, OFFEN |
| 5 | 15512203 | PAKNING 1 MM | GASKET | DICHTUNG |
| 6 | 15512204 | PAKNING 0.25 MM | GASKET | DICHTUNG |
| 7 | 14256600 | UNBRACO MC 8 X 20 MM | UNBRACO SCREW | UNBRACOSCHRAUBE |
| 8 | 13327700 | SIMMERRING 35 X 47 X 7 MM | OIL SEAL | OELFANGRING |
| 9 | 15512206 | MELLEMLÆG Ø62 X 0.22 MM | FILLER | ZWISCHENLAGE |
| 10 | 15144500 | RULLELEJE KONISK 32007 | CONE ROLLER BEARING | KEGELROLLENLAGER |
| 11 | 15512209 | KRONHJUL Z=15 | CROWN WHEEL | KRONRAD |
| 12 | 14608313 | PASFEDER 10 X 8 X 25 MM | KEY | PASSFEDER |
| 13 | 15512213 | KRONHJULSAKSEL - MANGENOT | CROWN WH. SPLINE SHAFT | KRONRADWELLE M/ANSCHLU. |
| 14 | 14643000 | SEEGERRING UDV. Ø30 MM | CIRCLIP | SICHERUNGSRING |
| 15 | 15586000 | KONISK TANDHJUL 15 TDR. | BEVEL GEAR 15T. | KEGELRAD 15Z. |
| 16 | 14607412 | PASFEDER 8 X 7 X 25 MM | KEY | PASSFEDER |
| 17 | 15513102 | SPIDSHJULSAKSEL - MANGENOT | PINION SPLINE SHAFT | KEGELRADWELLE M/ANSCHL. |
| 18 | 15512205 | MELLEMLÆG Ø45 X Ø35 X 0.22 MM | FILLER | ZWISCHENLAGE |
| 19 | 15512207 | STØTTESKIVE Ø35/Ø45 X 2.5 MM | SUPPORT DISC | STUETZSCHEIBE |
| 20 | 14643500 | SEEGERRING UDV. Ø35 MM | CIRCLIP | SICHERUNGSRING |
| 21 | 13327900 | SIMMERRING 35 X 62 X 7 MM | OIL SEAL | OELFANGRING |
| 22 | 13431300 | HYDR. RØRPROP 1/2"K BSP | HYDR. PIPE PLUG | HYDR. ROHRPROFFEN |
| 23 | 503101 | PAKNINGSSÆT F.155-12200/12600/13000 | GASKET SET | DICHTSATZ |
| 24 | 14450100 | LET SKIVE 1/4" | WASHER | SCHEIBE |



MIISA TE105 KRB/S 311 RE

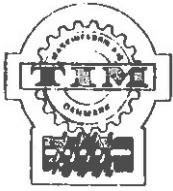


Ventilcentral 137-20700

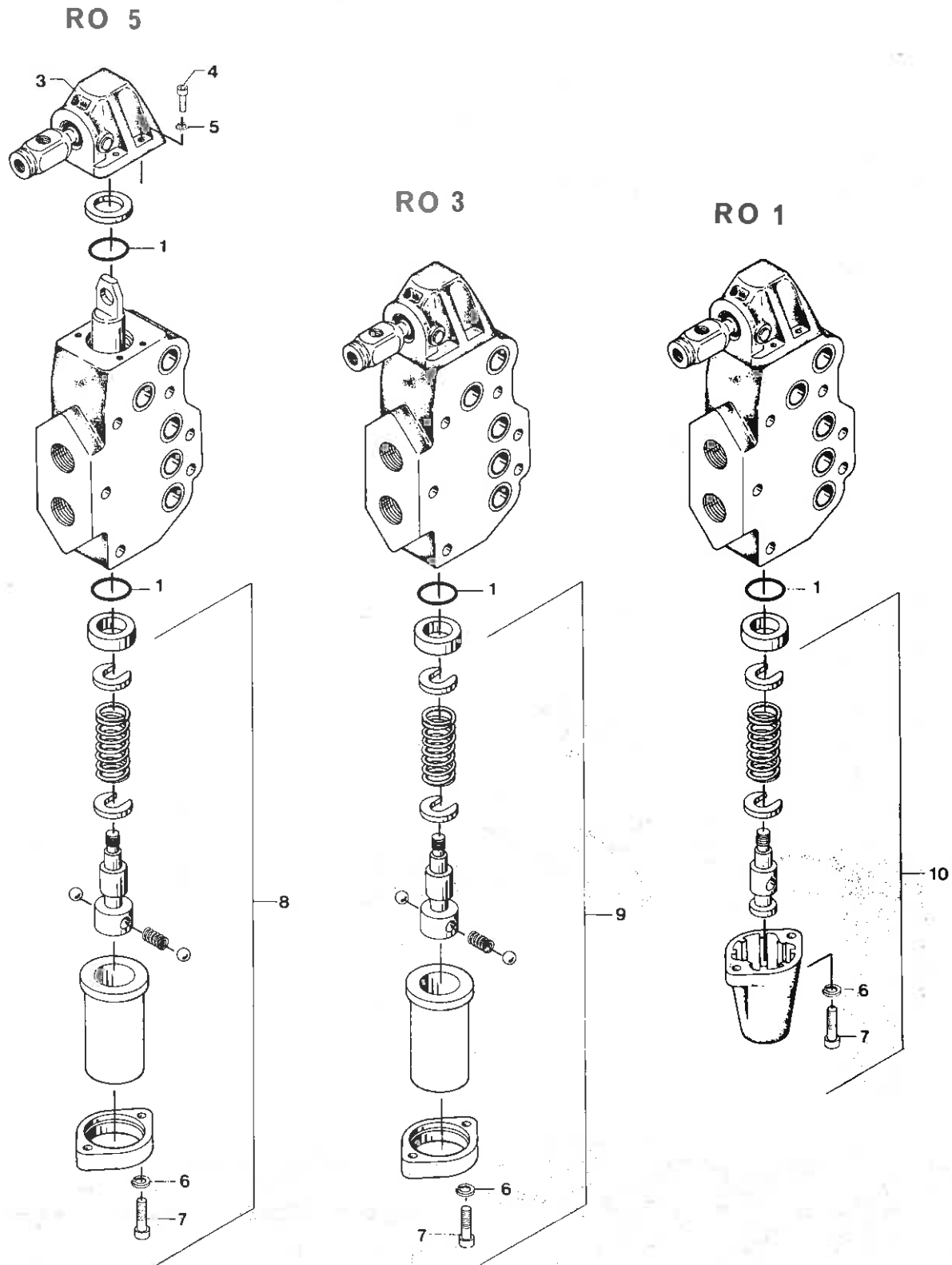
Valve block 137-20700

Steuerblock 137-20700

| | | | |
|-------------|-------------------------------------|-------------------------|-------------------------|
| 1 13784800 | PL40-BOLTESÆT F. 6 SEKTIONER | BOLT SET/6 SECTIONS | BOLZENSATZ/6 SEKTIONEN |
| 2 13787600 | INDGANGSSTYKKE KPL. PL40-F2S | INLET PIECE CPL | EINGANGSSTUECK KPL. |
| 3 13786400 | SEKTIONSSTYKKE KPL. PL40-22-1-RO1 | SECTION PART CPL | SEKTIONSTEIL KPL |
| 4 13786700 | SEKTIONSSTYKKE KPL. PL40-22-2-RO1 | SECTION PART CPL | SEKTIONSTEIL KPL |
| 5 13785800 | SEKTIONSSTYKKE KPL. PL40-21-1-RO1 | SECTION PART CPL | SEKTIONSTEIL KPL |
| 6 13786100 | SEKTIONSSTYKKE KPL. PL40-21-2-RO1 | SECTION PART CPL | SEKTIONSTEIL KPL |
| 7 13785500 | ENDESTYKKE KPL. PL40-F6D/LUKKET SY. | END PIECE CPL/CLOSED S. | ENDSTUECK KPL/GESCHL.S. |
| 8 13720700 | HYDR. VENTILCENTRAL | HYDR. VALVE BLOCK | HYDR. STEUERBLOCK |
| 9 | SIDE 71.0 | PAGE 71.0 | SEITE 71.0 |
| 10 13311300 | O-RING Ø16.0 X 2 MM | O-RING | O-RING |
| 11 13786400 | SEKTIONSSTYKKE KPL. PL40-22-1-RO1 | SECTION PART CPL | SEKTIONSTEIL KPL |
| 12 13786700 | SEKTIONSSTYKKE KPL. PL40-22-2-RO1 | SECTION PART CPL | SEKTIONSTEIL KPL |
| 13 13786401 | BETJENINGSHUS | OPER. UNIT HOUSING | BEDIENUNGSGEHAUSE |
| 14 13786701 | BETJENINGSHUS | OPER. UNIT HOUSING | BEDIENUNGSGEHAUSE |
| 15 13785801 | BETJENINGSHUS | OPER. UNIT HOUSING | BEDIENUNGSGEHAUSE |
| 16 13786101 | BETJENINGSHUS | OPER. UNIT HOUSING | BEDIENUNGSGEHAUSE |



MIISA TE105 KRB/S 311 RE



Diverse ventiler

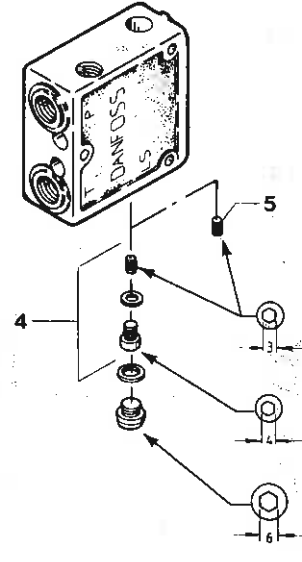
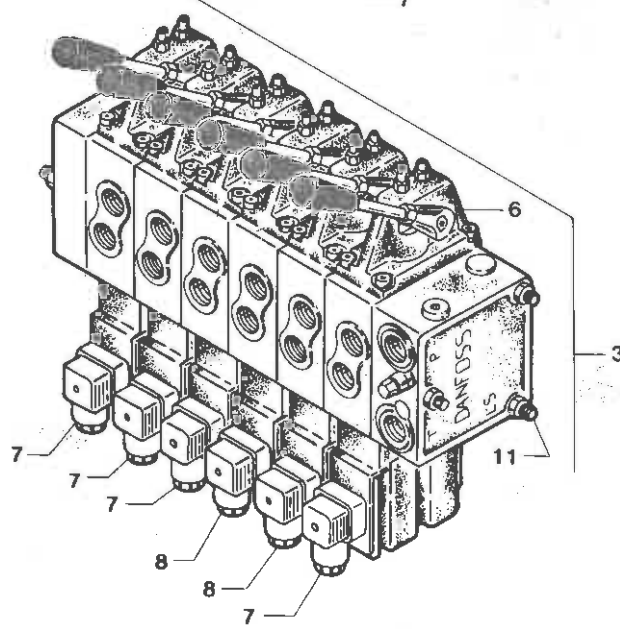
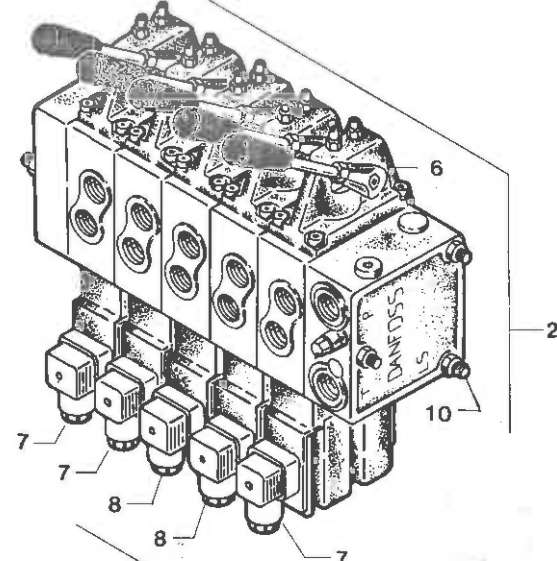
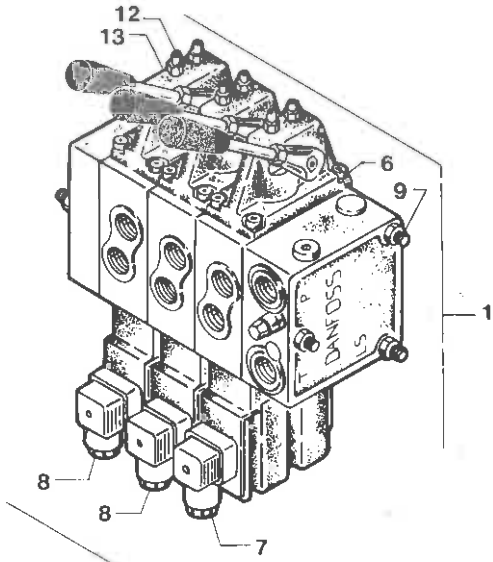
Various valves

Verschiedene Ventile

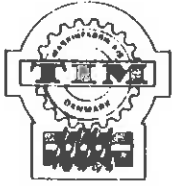
| | | | | |
|----|----------|----------------------------------|---------------------|------------------------|
| 1 | 13312200 | O-RING Ø20,22 X 3.53 MM | O-RING | O-RING |
| 3 | 13785802 | HÄNDTAGSHUS KPL. FOR PL20 & PL40 | HANDLE HOUSING CPL. | HANDGRIFFGEHAEUSE KPL. |
| 4 | 14253400 | UNBRACO MC 5 X 16 MM | UNBRACO SCREW | UNBRACOSCHRAUBE |
| 5 | 14462200 | CENTERFJEDERSKIVE M5 | SPRING WASHER | FEDERSCHEIBE |
| 6 | 14462300 | CENTERFJEDERSKIVE M6 | SPRING WASHER | FEDERSCHEIBE |
| 7 | 14254900 | UNBRACO MC 6 X 16 MM | UNBRACO SCREW | UNBRACOSCHRAUBE |
| 8 | 13787700 | DETENTSÆT KPL. F. PL40-RO5 | DETENT SET CPL. | SPERRSATZ KPL. |
| 9 | 13787800 | DETENTSÆT KPL. F. PL40-RO3 | DETENT SET CPL. | SPERRSATZ KPL. |
| 10 | 13787900 | DETENTSÆT KPL. F. PL40-RO1 | DETENT SET CPL. | SPERRSATZ KPL. |



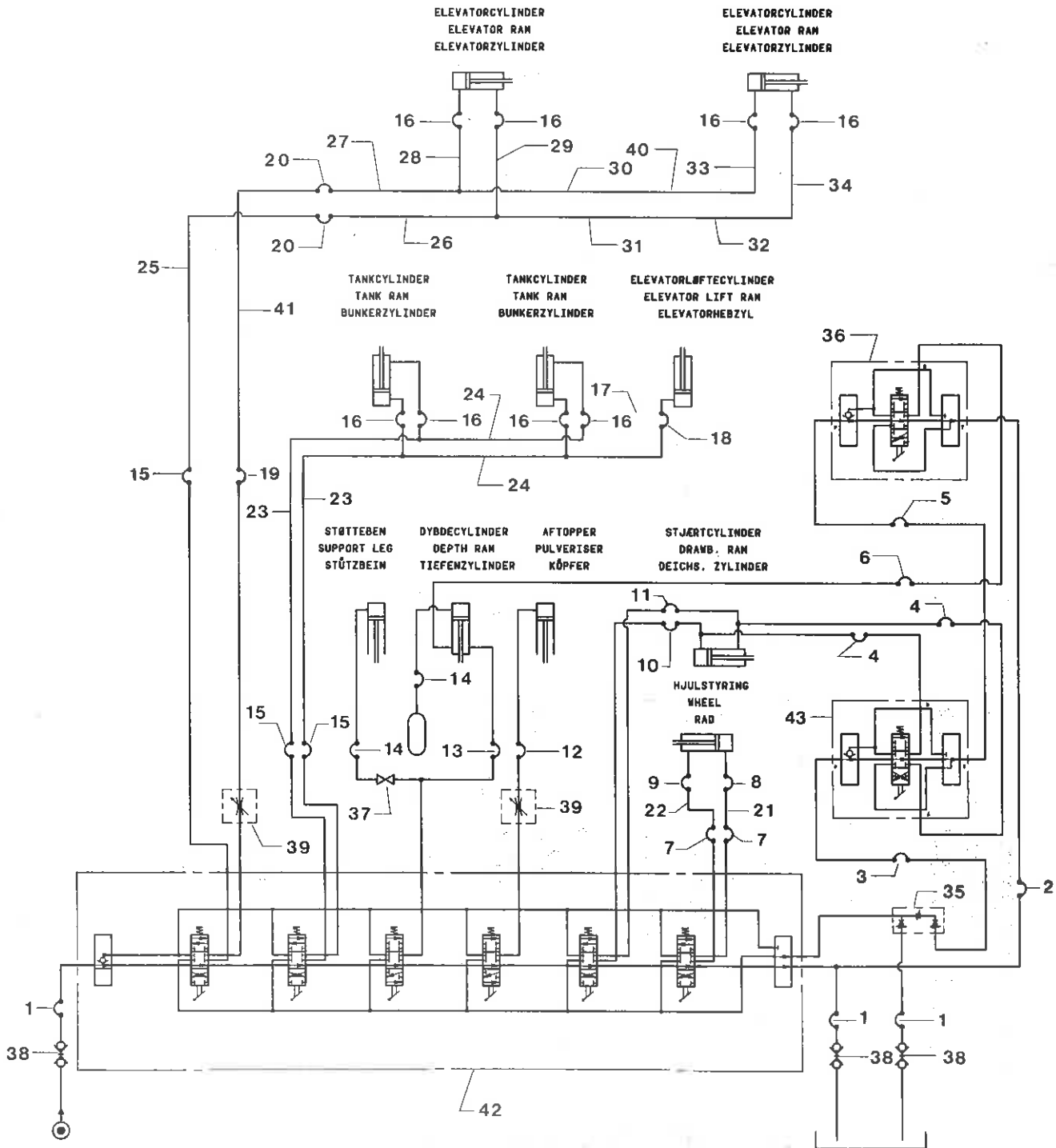
MIISA TE105 KRB/S 311 RE



| | Danfoss PVG 32 | Danfoss PVG 320 | Danfoss PVG 32 |
|----|----------------|-------------------------------------|-------------------------|
| 1 | 13789000 | HYDR. EL. VENTILC. 3 SEKT PVG32 12V | HYDR. EL. VALVE BLOCK |
| 2 | 13789200 | HYDR. EL. VENTILC. 5 SEKT PVG32 12V | HYDR. EL. VALVE BLOCK |
| 3 | 13789300 | HYDR. EL. VENTILC. 6 SEKT PVG32 12V | HYDR. EL. VALVE BLOCK |
| 4 | 502937 | JOHN DEERE SET F/DANFOSS PVG32 | J.D. SET /DANFOSS PVG32 |
| 5 | 14283400 | UNBRACO MSP 6 X 10 MM | UNBRACO SCREW |
| 6 | 13793010 | HÄNDTAGSHUS KPL. PVM 32(157B3010) | HANDLE HOUSING CPL. |
| 6 | 13792019 | PAKNINGSSET FOR HÄNDTAGSHUS | GASKET SET F/HANDLE HO. |
| 7 | 13793002 | EL-AKT.PVEO32/ON-OFF12V(157B4212) | EL. ACTIVATOR |
| 7 | 13792020 | PAKNINGSSET FOR EL-MODUL | GASKET SET |
| 8 | 13793001 | EL-AKT.PVEM32/PROP 12V(157B4112) | EL. ACTIVATOR PROPORT. |
| 8 | 13792020 | PAKNINGSSET FOR EL-MODUL | GASKET SET |
| 9 | 13793014 | PAKN.SET M/BOLT 3 SEKT(157B8003) | GASKET SET W/BOLT |
| 10 | 13793016 | PAKN.SET M/BOLT 5 SEKT(157B8005) | GASKET SET W/BOLT |
| 11 | 13793017 | PAKN.SET M/BOLT 6SEKT (157B8006) | GASKET SET W/BOLT |
| 12 | 13792021 | MØT. M/TÆTN. PVM32 6MM (681X8270) | NUT |
| 13 | 13792022 | JUSTERSKRUE PVM32 - M6 (681X3299) | ADJUSTING SCREW |
| | | | HYDR. EL. STEUERBLOCK |
| | | | HYDR. EL. STEUERBLOCK |
| | | | HYDR. EL. STEUERBLOCK |
| | | | J.D. SATZ/DANFOSS PVG32 |
| | | | UNBRACOSCHRAUBE |
| | | | HANDGRIFFGEHAEUSE KPL. |
| | | | DICHTSATZ F/HANDGR.-GE. |
| | | | EL-BETAETIGER |
| | | | DICHTUNGSSATZ |
| | | | EL-BETAETIGER PROPORT. |
| | | | DICHTUNGSSATZ |
| | | | DICHTSATZ M/BOLZEN |
| | | | DICHTSATZ M/BOLZEN |
| | | | DICHTSATZ M/BOLZEN |
| | | | MUTTER |
| | | | STELLSCHRAUBE |



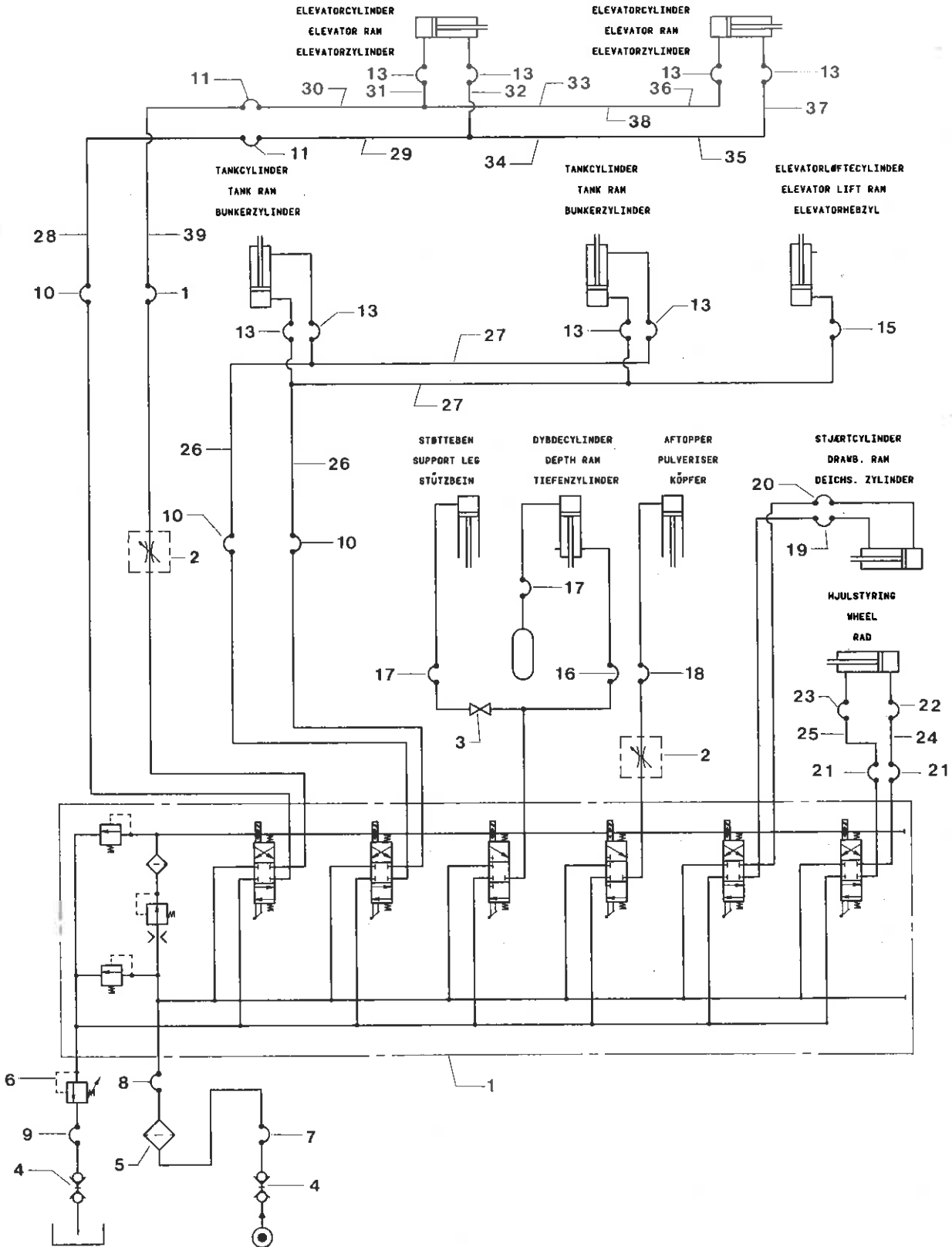
MIISA TE105 KRB/S 311 RE

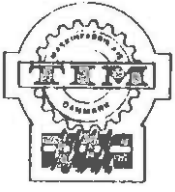


| Ekst. hydr. anlæg (alm.) | External hydr. system | Externe Oelanlage |
|--------------------------|------------------------------------|--|
| 1 13762033 | HYDR. SLANGE Ø1/2" X 3300 MM | HYDR. HOSE HYDR. SCHLAUCH |
| 2 13756430 | HYDR. SLANGE Ø3/8" X 3000 MM | HYDR. HOSE HYDR. SCHLAUCH |
| 3 13756331 | HYDR. SLANGE Ø3/8" X 3100 MM | HYDR. HOSE HYDR. SCHLAUCH |
| 4 13756427 | HYDR. SLANGE Ø3/8" X 2700 MM | HYDR. HOSE HYDR. SCHLAUCH |
| 5 13756308 | HYDR. SLANGE Ø3/8" X 850 MM | HYDR. HOSE HYDR. SCHLAUCH |
| 6 13756311 | HYDR. SLANGE Ø3/8" X 1100 MM | HYDR. HOSE HYDR. SCHLAUCH |
| 7 13510511 | HYDR. SLANGE Ø1/4" X 1000 MM | HYDR. HOSE HYDR. SCHLAUCH |
| 8 13510610 | HYDR. SLANGE Ø1/4" X 1000 MM | HYDR. HOSE HYDR. SCHLAUCH |
| 9 13508885 | HYDR. SLANGE Ø1/4" X 850 MM | HYDR. HOSE HYDR. SCHLAUCH |
| 10 13756506 | HYDR. SLANGE Ø3/8" X 630 MM | HYDR. HOSE HYDR. SCHLAUCH |
| 11 13756508 | HYDR. SLANGE Ø3/8" X 800 MM | HYDR. HOSE HYDR. SCHLAUCH |
| 12 13756325 | HYDR. SLANGE Ø3/8" X 2500 MM | HYDR. HOSE HYDR. SCHLAUCH |
| 13 13518324 | HYDR. SLANGE Ø3/8" X 2400 MM | HYDR. HOSE HYDR. SCHLAUCH |
| 14 13756313 | HYDR. SLANGE Ø3/8" X 1350 MM | HYDR. HOSE HYDR. SCHLAUCH |
| 15 13523175 | HYDR. SLANGE Ø1/2" X 750 MM | HYDR. HOSE HYDR. SCHLAUCH |
| 16 13516255 | HYDR. SLANGE Ø3/8" X 550 MM | HYDR. HOSE HYDR. SCHLAUCH |
| 18 13522475 | HYDR. SLANGE Ø1/2" X 750 MM | HYDR. HOSE HYDR. SCHLAUCH |
| 19 13523165 | HYDR. SLANGE Ø1/2" X 650 MM | HYDR. HOSE HYDR. SCHLAUCH |
| 20 13527610 | HYDR. SLANGE Ø1/2" X 1000 MM | HYDR. HOSE HYDR. SCHLAUCH |
| 21 490852 | HYDR. RØR Ø10 X 4160 MM | HYDR. PIPE HYDR. ROHR |
| 22 490846 | HYDR. RØR Ø10 X 4100 MM | HYDR. PIPE HYDR. ROHR |
| 23 490853 | HYDR. RØR Ø15 X 1145 MM | HYDR. PIPE HYDR. ROHR |
| 24 490850 | HYDR. RØR Ø15 X 1800 MM | HYDR. PIPE HYDR. ROHR |
| 25 490847 | HYDR. RØR Ø15 X 1610 MM | HYDR. PIPE HYDR. ROHR |
| 26 419657 | HYDR. RØR Ø15 X 900 MM | HYDR. PIPE HYDR. ROHR |
| 27 478092 | HYDR. RØR Ø15 X 850 MM | HYDR. PIPE HYDR. ROHR |
| 28 478074 | HYDR. RØR Ø15 X 930 MM | HYDR. PIPE HYDR. ROHR |
| 29 419656 | HYDR. RØR Ø15 X 1040 MM | HYDR. PIPE HYDR. ROHR |
| 30 478091 | HYDR. RØR Ø15 X 510 MM | HYDR. PIPE HYDR. ROHR |
| 31 478090 | HYDR. RØR Ø15 X 540 MM | HYDR. PIPE HYDR. ROHR |
| 32 478087 | HYDR. RØR Ø15 X 1580 MM | HYDR. PIPE HYDR. ROHR |
| 33 478088 | HYDR. RØR Ø15 X 1630 MM | HYDR. PIPE HYDR. ROHR |
| 34 478089 | HYDR. RØR Ø15 X 1245 MM | HYDR. PIPE HYDR. ROHR |
| 35 13735600 | PRIORITETSVENTIL 3/4" 0-47 L/MIN | PRIORITY VALVE PRIORITAETSVENTIL |
| 36 13720101 | HYDR. VENTILCENTRAL F. DYBDEREG. | HYDR. VALVE BLOCK/DEPTH HYDR. STEUERBLOCK/TIEF. |
| 36 13728700 | PAKNINGSSET F/PL25 FOR 137-20101 | PACKING SET DICHTSATZ |
| 37 13735900 | KUGLEHANE INDV. 3/8" BSP | BALL COCK/INS. THR. KUGELHAHN/INNENGEW. |
| 38 13765300 | LYNKOBLING HAN 1/2" | QUICK COUPLING MALE HYDR. ANSCHLUSS AUS.G. |
| 39 13738000 | NÅLEVENTIL 3/8" BSP X 3/8" BSP | NEEDLE VALVE NADELVENTIL |
| 40 478099 | HYDR. RØR Ø15 X 1635 MM | HYDR. PIPE HYDR. ROHR |
| 41 490854 | HYDR. RØR Ø15 X 1635 MM | HYDR. PIPE HYDR. ROHR |
| 42 13720700 | HYDR. VENTILCENTRAL | HYDR. VALVE BLOCK HYDR. STEUERBLOCK |
| 42 | SIDE 70.0 | PAGE 70.0 SEITE 70.0 |
| 43 13720102 | HYDR. VENTILCENTRAL F. SIDESTYRING | HYDR. VALVE BLOCK/SIDE HYDR. STEUERBLOCK/SEIT. |
| 43 13728700 | PAKNINGSSET F/PL25 FOR 137-20101 | PACKING SET DICHTSATZ |

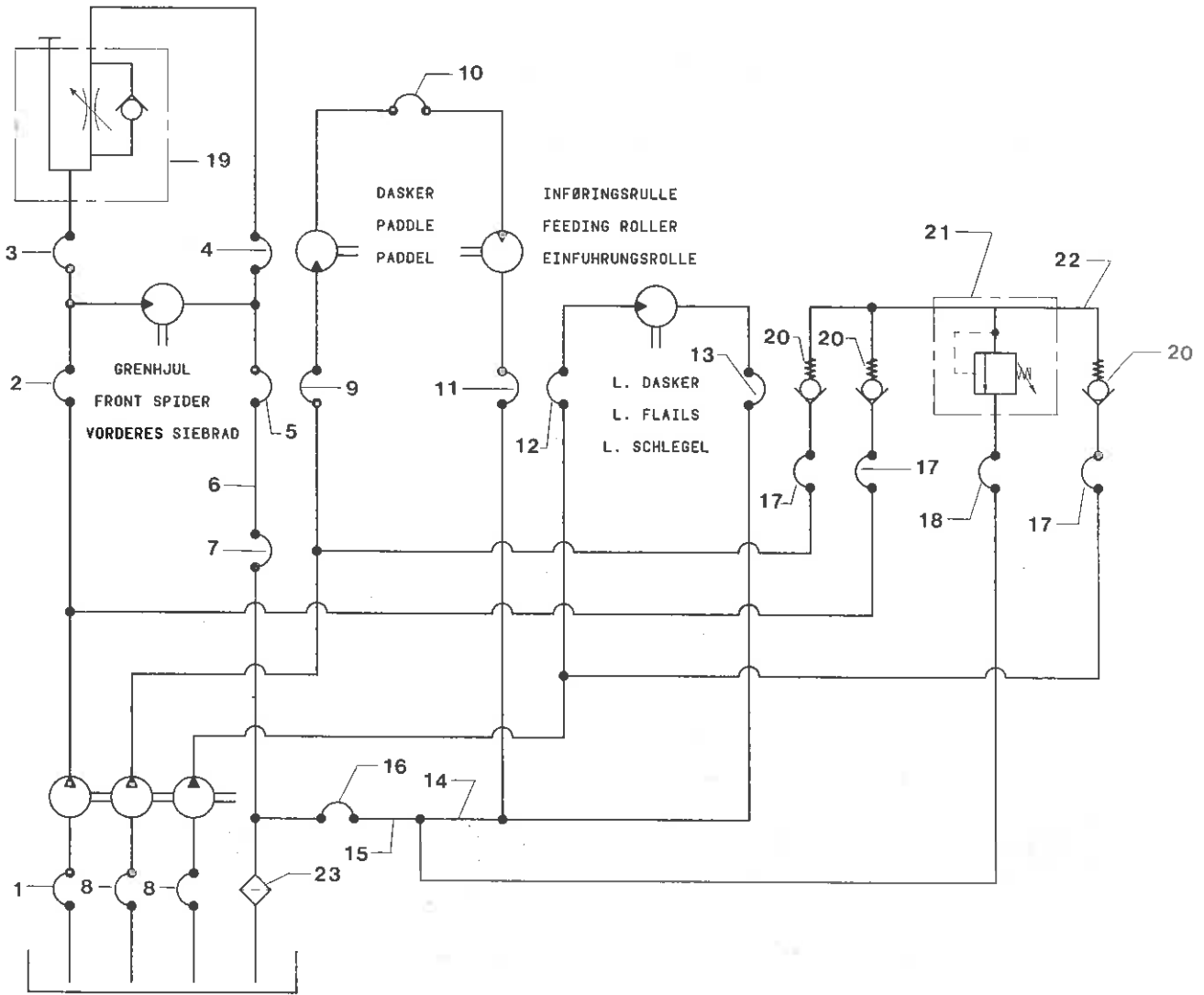


MIISA TE105 KRB/S 311 RE





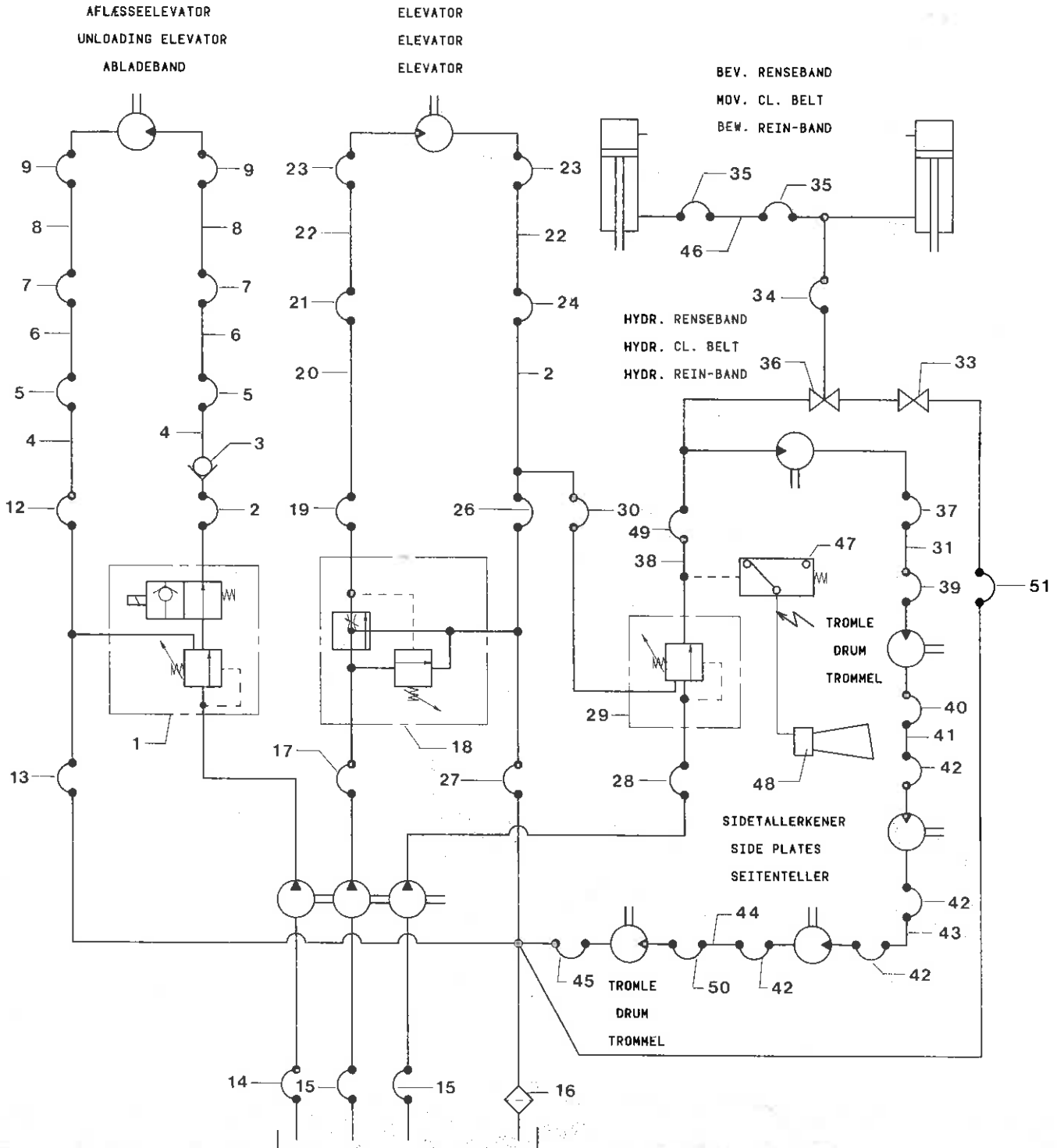
MIISA TE105 KRB/S 311 RE



| | Forreste internt hydr. anlæg | Front intern. hydr. system | Vord. interne Oelanlage |
|----|---|----------------------------|-------------------------|
| 1 | 12612001 OLIE/BENZINSLANGE Ø43 X Ø32 MM | OIL/PETROL HOSE | OEL/BENZINSCHLAUCH |
| 2 | 13541275 HYDR. SLANGE Ø3/4" X 750 MM | HYDR. HOSE | HYDR. SCHLAUCH |
| 3 | 13524740 HYDR. SLANGE Ø1/2" X 400 MM | HYDR. HOSE | HYDR. SCHLAUCH |
| 4 | 13524455 HYDR. SLANGE Ø1/2" X 550 MM | HYDR. HOSE | HYDR. SCHLAUCH |
| 5 | 13540980 HYDR. SLANGE Ø3/4" X 800 MM | HYDR. HOSE | HYDR. SCHLAUCH |
| 6 | 490842 HYDR. RØR Ø22 X 2000 MM | HYDR. PIPE | HYDR. ROHR |
| 7 | 13540995 HYDR. SLANGE Ø3/4" X 950 MM | HYDR. HOSE | HYDR. SCHLAUCH |
| 8 | 12612115 OLIESLANGE Ø39.4 X Ø25.4 MM | OIL HOSE | OELSCHLAUCH |
| 9 | 13531012 HYDR. SLANGE Ø5/8" X 1250 MM | HYDR. HOSE | HYDR. SCHLAUCH |
| 10 | 13528255 HYDR. SLANGE Ø5/8" X 550 MM | HYDR. HOSE | HYDR. SCHLAUCH |
| 11 | 13530155 HYDR. SLANGE Ø5/8" X 550 MM | HYDR. HOSE | HYDR. SCHLAUCH |
| 12 | 13520821 HYDR. SLANGE Ø1/2" X 2150 MM | HYDR. HOSE | HYDR. SCHLAUCH |
| 13 | 13522285 HYDR. SLANGE Ø1/2" X 850 MM | HYDR. HOSE | HYDR. SCHLAUCH |
| 14 | 490844 HYDR. RØR Ø22 X 500 MM | HYDR. PIPE | HYDR. ROHR |
| 15 | 490843 HYDR. RØR Ø22 X 1800 MM | HYDR. PIPE | HYDR. ROHR |
| 16 | 13542410 HYDR. SLANGE Ø3/4" X 1000 MM | HYDR. HOSE | HYDR. SCHLAUCH |
| 17 | 13525160 HYDR. SLANGE Ø1/2" X 600 MM | HYDR. HOSE | HYDR. SCHLAUCH |
| 18 | 13523450 HYDR. SLANGE Ø1/2" X 500 MM | HYDR. HOSE | HYDR. SCHLAUCH |
| 19 | 13732201 MÆNGDEREGULERINGSVENTIL 2RCR-MØ8 | QUANTITY CONTROL VALVE | MENGENREGELVENTIL |
| 19 | 503110 O-RINGSET FOR 137-32201 | O-RING SET | O-RINGSATZ |
| 20 | 13738500 KONTRAVENTIL 15 MM - DK | NON-RETURN VALVE - DK | RUECKSCHLAGVENTIL - DK |
| 21 | 13770801 OVERTRYKSVENTIL 1/2" VMP | EXCESS-PRESSURE VALVE | UEBERDRUCKVENTIL |
| 22 | 490845 HYDR. RØR Ø15 X 50 MM | HYDR. PIPE | HYDR. ROHR |
| 23 | 13708700 RETURFILTER KPL. 160 L/MIN | RETURN FILTER CPL | RUECKLAUFFILTER KPL |
| 23 | 13708701 RETURFILTERINDSATS | RETURN FILTER INSERT | RUECKFILTEREINSATZ |



MIISA TE105 KRB/S 311 RE



Bageste interne hydr. anlæg

Rear intern. hydr. system

Hinte interne Oelanlage

| | | | |
|-------------|-------------------------------------|-------------------------|-------------------------|
| 1 13771575 | OVERTRYKSPATRON 180 BAR | EXCESS-PRESSURE VALVE | UEBERDRUCKVENTIL |
| 1 13739900 | VENTILHUS | VALVE HOUSING | VENTILGEHAEUSE |
| 1 13790200 | HY.EL. VENTIL M/OVERTR.VENT.180 BAR | HY.EL.VALVE W/EXC.PR.V. | HY.EL.VENTIL M/UEBERDR. |
| 2 13528275 | HYDR. SLANGE Ø5/8" X 750 MM | HYDR. HOSE | HYDR. SCHLAUCH |
| 3 13734000 | KONTRAVENTIL 3/4" BSP - 10 BAR | NON-RETURN VALVE | RUECKSCHLAGVENTIL |
| 4 490840 | HYDR. RØR Ø18 X 2030 MM | HYDR. PIPE | HYDR. ROHR |
| 5 13528070 | HYDR. SLANGE Ø5/8" X 700 MM | HYDR. HOSE | HYDR. SCHLAUCH |
| 6 490841 | HYDR. RØR Ø18 X 1300 MM | HYDR. PIPE | HYDR. ROHR |
| 7 13530510 | HYDR. SLANGE Ø5/8" X 1050 MM | HYDR. HOSE | HYDR. SCHLAUCH |
| 8 419205 | HYDR. RØR Ø18 X 1280 MM | HYDR. PIPE | HYDR. ROHR |
| 9 13528065 | HYDR. SLANGE Ø5/8" X 650 MM | HYDR. HOSE | HYDR. SCHLAUCH |
| 12 13528695 | HYDR. SLANGE Ø5/8" X 950 MM | HYDR. HOSE | HYDR. SCHLAUCH |
| 13 13541115 | HYDR. SLANGE Ø3/4" X 1500 MM | HYDR. HOSE | HYDR. SCHLAUCH |
| 14 12612001 | OLIE/BENZINSLANGE Ø43 X Ø32 MM | OIL/PETROL HOSE | OEL/BENZINSCHLAUCH |
| 15 12612115 | OLIESLANGE Ø39.4 X Ø25.4 MM | OIL HOSE | OELSCHLAUCH |
| 16 13708700 | RETURFILTER KPL. 160 L/MIN | RETURN FILTER CPL | RUECKLAUFFILTER KPL |
| 17 13524450 | HYDR. SLANGE Ø1/2" X 500 MM | HYDR. HOSE | HYDR. SCHLAUCH |
| 18 13733900 | TRYKKOMPENS.FLOW REG.VENTIL 210 BAR | PRES. COMP. FLOW REGUL. | DRUCKAUSGLEICHREGLER |
| 19 13526001 | HYDR. SLANGE Ø1/2" X 1000 MM | HYDR. HOSE | HYDR. SCHLAUCH |
| 20 445223 | HYDR. RØR Ø15 X 840 MM | HYDR. PIPE | HYDR. ROHR |
| 21 13525290 | HYDR. SLANGE Ø1/2" X 900 MM | HYDR. HOSE | HYDR. SCHLAUCH |
| 22 445225 | HYDR. RØR Ø15 X 2000 MM | HYDR. PIPE | HYDR. ROHR |
| 23 13523970 | HYDR. SLANGE Ø1/2" X 700 MM | HYDR. HOSE | HYDR. SCHLAUCH |
| 24 13525295 | HYDR. SLANGE Ø1/2" X 950 MM | HYDR. HOSE | HYDR. SCHLAUCH |
| 25 445222 | HYDR. RØR Ø15 X 770 MM | HYDR. PIPE | HYDR. ROHR |
| 26 13524895 | HYDR. SLANGE Ø1/2" X 950 MM | HYDR. HOSE | HYDR. SCHLAUCH |
| 27 13526412 | HYDR. SLANGE Ø1/2" X 1200 MM | HYDR. HOSE | HYDR. SCHLAUCH |
| 28 13524455 | HYDR. SLANGE Ø1/2" X 550 MM | HYDR. HOSE | HYDR. SCHLAUCH |
| 29 13770830 | OVERTRYKSVENTIL KPL. | EXCESS-PRESS. VALVE CPL | UEBERDRUCKVENTIL KPL. |
| 29 13770899 | OVERTRYKSPATRON F/137-70830 | EXCESS-PRESSURE VALVE | UEBERDRUCKVENTIL |
| 29 13770898 | VENTILBLOK | VALVE BLOCK | STUEUERBLOCK |
| 30 13525650 | HYDR. SLANGE Ø1/2" X 500 MM | HYDR. HOSE | HYDR. SCHLAUCH |
| 31 445221 | HYDR. RØR Ø15 X 1560 MM | HYDR. PIPE | HYDR. ROHR |
| 32 13523980 | HYDR. SLANGE Ø1/2" X 800 MM | HYDR. HOSE | HYDR. SCHLAUCH |
| 33 13736100 | KUGLEHANE INDV. 1/4" BSP | BALL COCK/INS. THR. | KUGELHAHN/INNENGEW. |
| 34 13509050 | HYDR. SLANGE Ø1/4" X 500 MM | HYDR. HOSE | HYDR. SCHLAUCH |
| 35 13508355 | HYDR. SLANGE Ø1/4" X 550 MM | HYDR. HOSE | HYDR. SCHLAUCH |
| 36 13736400 | 3-VEJS KUGLEHANE 1/2" BSP INDV. | BALL COCK/INS. THR | KUGELHAHN/INNENGEW. |
| 37 13523960 | HYDR. SLANGE Ø1/2" X 600 MM | HYDR. HOSE | HYDR. SCHLAUCH |
| 38 445224 | HYDR. RØR Ø15 X 1380 MM | HYDR. PIPE | HYDR. ROHR |
| 39 13526911 | HYDR. SLANGE Ø1/2" X 1100 MM | HYDR. HOSE | HYDR. SCHLAUCH |
| 40 13524165 | HYDR. SLANGE Ø1/2" X 650 MM | HYDR. HOSE | HYDR. SCHLAUCH |
| 41 493787 | HYDR. RØR Ø15 X 2305 MM | HYDR. PIPE | HYDR. ROHR |
| 42 13524050 | HYDR. SLANGE Ø1/2" X 500 MM | HYDR. HOSE | HYDR. SCHLAUCH |
| 43 493788 | HYDR. RØR Ø15 X 1630 MM | HYDR. PIPE | HYDR. ROHR |
| 44 492986 | HYDR. RØR Ø15 X 1100 MM | HYDR. PIPE | HYDR. ROHR |
| 45 13524122 | HYDR. SLANGE Ø1/2" X 2250 MM | HYDR. HOSE | HYDR. SCHLAUCH |
| 46 445148 | HYDR. RØR Ø10 X 580 MM | HYDR. PIPE | HYDR. ROHR |
| 47 12531020 | HYDR. EL.-KONTAKT 50-150 BAR | HYDR. ELECTRIC SWITCH | HYDR. EL.-SCHALTER |
| 47 12531099 | BESKYTTELSESHETTE | PROTECTION CAP | SCHUTZKAPPE |
| 48 12804010 | SIGNALHORN 12V | HORN | HUPE |
| 49 13522465 | HYDR. SLANGE Ø1/2" X 650 MM | HYDR. HOSE | HYDR. SCHLAUCH |
| 50 13523130 | HYDR. SLANGE Ø1/2" X 300 MM | HYDR. HOSE | HYDR. SCHLAUCH |
| 51 13510014 | HYDR. SLANGE Ø1/4" X 1400 MM | HYDR. HOSE | HYDR. SCHLAUCH |

Index

| | | | | | | | | | | | | | | | | | | | |
|----------|----|-------|----|-------|----------|----|-------|----|-------|----|-------|----|-------|--|--|--|--|--|--|
| 13736100 | 22 | 29/00 | 33 | 78/00 | 13792201 | 10 | 43/00 | | | | | | | | | | | | |
| 13736400 | 20 | 29/00 | 36 | 78/00 | 13792202 | 11 | 43/00 | | | | | | | | | | | | |
| 13738000 | 39 | 75/00 | 2 | 76/00 | 13793001 | 8 | 72/00 | | | | | | | | | | | | |
| 13738500 | 40 | 45/00 | 20 | 77/00 | 13793002 | 7 | 72/00 | | | | | | | | | | | | |
| 13739200 | 30 | 29/00 | | | 13793010 | 6 | 72/00 | | | | | | | | | | | | |
| 13739900 | 7 | 43/00 | 1 | 78/00 | 13793014 | 9 | 72/00 | | | | | | | | | | | | |
| 13746800 | 40 | 46/00 | | | 13793016 | 10 | 72/00 | | | | | | | | | | | | |
| 13756308 | 5 | 75/00 | | | 13793017 | 11 | 72/00 | | | | | | | | | | | | |
| 13756311 | 6 | 75/00 | | | 13810800 | 38 | 59/00 | | | | | | | | | | | | |
| 13756313 | 6 | 58/00 | 14 | 75/00 | 13816500 | 13 | 34/00 | | | | | | | | | | | | |
| 13756325 | 12 | 75/00 | 18 | 76/00 | 13828300 | 3 | 15/00 | 18 | 15/01 | 9 | 54/00 | | | | | | | | |
| 13756331 | 3 | 75/00 | | | 13829301 | 25 | 6/00 | | | | | | | | | | | | |
| 13756427 | 4 | 75/00 | | | 13829320 | 5 | 6/00 | | | | | | | | | | | | |
| 13756430 | 48 | 52/00 | 2 | 75/00 | 13840800 | 37 | 30/00 | 45 | 37/00 | 20 | 38/00 | 19 | 39/00 | | | | | | |
| 13756506 | 10 | 75/00 | 19 | 76/00 | 13840800 | 45 | 54/00 | 3 | 55/00 | 44 | 56/00 | 24 | 57/00 | | | | | | |
| 13756508 | 11 | 75/00 | 20 | 76/00 | 13841000 | 5 | 15/00 | 25 | 15/00 | 3 | 15/01 | 38 | 23/00 | | | | | | |
| 13759000 | 50 | 52/00 | | | 13841000 | 20 | 25/00 | 19 | 27/00 | 9 | 31/00 | 28 | 49/00 | | | | | | |
| 13760404 | 8 | 76/00 | | | 13841000 | 7 | 53/00 | 23 | 54/00 | 22 | 55/00 | 5 | 56/00 | | | | | | |
| 13762033 | 1 | 75/00 | | | 14042300 | 2 | 23/00 | 12 | 43/00 | | | | | | | | | | |
| 13765300 | 38 | 75/00 | 4 | 76/00 | 14042600 | 32 | 23/00 | | | | | | | | | | | | |
| 13770801 | 39 | 45/00 | 21 | 77/00 | 14042800 | 23 | 7/00 | 24 | 35/00 | 4 | 37/00 | | | | | | | | |
| 13770830 | 26 | 46/00 | 29 | 78/00 | 14043000 | 35 | 7/00 | | | | | | | | | | | | |
| 13770872 | 20 | 42/00 | 6 | 76/00 | 14043200 | 22 | 32/00 | | | | | | | | | | | | |
| 13770897 | 20 | 42/00 | 6 | 76/00 | 14044000 | 30 | 46/00 | | | | | | | | | | | | |
| 13770898 | 25 | 46/00 | 29 | 78/00 | 14044200 | 55 | 32/00 | | | | | | | | | | | | |
| 13770899 | 24 | 46/00 | 29 | 78/00 | 14044500 | 42 | 12/00 | 57 | 35/00 | 41 | 36/00 | | | | | | | | |
| 13771575 | 8 | 43/00 | 1 | 78/00 | 14044700 | 10 | 22/00 | | | | | | | | | | | | |
| 13772523 | 22 | 35/00 | 49 | 37/00 | 14045200 | 20 | 39/00 | 57 | 55/00 | | | | | | | | | | |
| 13772700 | 23 | 35/00 | | | 14046000 | 11 | 24/00 | 10 | 26/01 | | | | | | | | | | |
| 13776000 | 1 | 19/00 | | | 14046500 | 10 | 20/00 | | | | | | | | | | | | |
| 13776001 | 5 | 18/00 | 5 | 18/01 | 14046700 | 7 | 24/00 | | | | | | | | | | | | |
| 13776410 | 1 | 18/00 | 1 | 18/01 | 14046800 | 4 | 22/00 | | | | | | | | | | | | |
| 13784800 | 1 | 70/00 | | | 14046900 | 17 | 51/00 | | | | | | | | | | | | |
| 13785300 | 28 | 8/00 | | | 14047000 | 43 | 32/00 | 18 | 51/00 | | | | | | | | | | |
| 13785500 | 7 | 70/00 | | | 14049000 | 22 | 34/00 | | | | | | | | | | | | |
| 13785800 | 5 | 70/00 | | | 14049500 | 31 | 34/00 | | | | | | | | | | | | |
| 13785801 | 15 | 70/00 | | | 14050000 | 26 | 35/00 | 51 | 36/00 | | | | | | | | | | |
| 13785802 | 3 | 71/00 | | | 14083700 | 16 | 26/00 | | | | | | | | | | | | |
| 13786100 | 6 | 70/00 | | | 14083800 | 6 | 12/00 | | | | | | | | | | | | |
| 13786101 | 16 | 70/00 | | | 14083900 | 15 | 23/00 | 14 | 26/01 | 27 | 28/00 | 16 | 46/00 | | | | | | |
| 13786400 | 3 | 70/00 | 11 | 70/00 | 14083900 | 47 | 51/00 | | | | | | | | | | | | |
| 13786401 | 13 | 70/00 | | | 14085300 | 19 | 2/00 | 38 | 12/00 | 30 | 15/00 | 22 | 15/01 | | | | | | |
| 13786700 | 4 | 70/00 | 12 | 70/00 | 14085300 | 28 | 35/00 | 25 | 38/00 | 10 | 41/00 | 3 | 42/00 | | | | | | |
| 13786701 | 14 | 70/00 | | | 14085300 | 5 | 52/00 | 31 | 55/00 | 54 | 55/00 | | | | | | | | |
| 13787600 | 2 | 70/00 | | | 14085400 | 18 | 26/00 | 58 | 32/00 | 19 | 33/00 | 29 | 35/00 | | | | | | |
| 13787700 | 8 | 71/00 | | | 14085400 | 32 | 36/00 | 7 | 42/00 | 29 | 49/00 | 8 | 56/00 | | | | | | |
| 13787800 | 9 | 71/00 | | | 14085400 | 13 | 57/00 | | | | | | | | | | | | |
| 13787900 | 10 | 71/00 | | | 14085500 | 50 | 7/00 | 12 | 30/00 | 4 | 32/00 | 21 | 39/00 | | | | | | |
| 13789000 | 1 | 72/00 | | | 14085500 | 47 | 50/00 | 5 | 54/00 | 8 | 57/00 | | | | | | | | |
| 13789200 | 2 | 72/00 | | | 14085600 | 15 | 30/00 | 7 | 32/00 | 8 | 40/00 | 40 | 52/00 | | | | | | |
| 13789300 | 3 | 72/00 | | | 14085600 | 64 | 55/00 | | | | | | | | | | | | |
| 13789301 | 1 | 76/00 | | | 14085700 | 12 | 25/00 | | | | | | | | | | | | |
| 13790200 | 9 | 43/00 | 1 | 78/00 | 14085800 | 14 | 3/00 | 47 | 30/00 | 25 | 35/00 | 47 | 36/00 | | | | | | |
| 13792019 | 6 | 72/00 | | | 14085800 | 39 | 39/00 | | | | | | | | | | | | |
| 13792020 | 7 | 72/00 | 8 | 72/00 | 14085900 | 54 | 30/00 | 21 | 32/00 | 18 | 42/00 | | | | | | | | |
| 13792021 | 12 | 72/00 | | | 14087400 | 43 | 12/00 | 8 | 15/00 | 7 | 15/01 | 18 | 34/00 | | | | | | |
| 13792022 | 13 | 72/00 | | | 14087400 | 6 | 45/00 | 6 | 46/00 | 38 | 53/00 | 3 | 54/00 | | | | | | |

Index

| | | | | | | | | | | | | | | | | | | |
|--------|----|-------|----|-------|----|-------|----|-------|--------|----|-------|----|-------|--|--|--|--|--|
| 419744 | 51 | 51/00 | | | | | | | 444701 | 23 | 27/00 | | | | | | | |
| 419765 | 10 | 50/00 | | | | | | | 444712 | 46 | 23/00 | | | | | | | |
| 419766 | 11 | 50/00 | | | | | | | 444713 | 45 | 23/00 | | | | | | | |
| 419767 | 20 | 43/00 | | | | | | | 444719 | 1 | 28/00 | | | | | | | |
| 419801 | 8 | 51/00 | | | | | | | 444721 | 36 | 23/00 | 2 | 25/00 | | | | | |
| 419814 | 9 | 51/00 | | | | | | | 444722 | 35 | 23/00 | 1 | 25/00 | | | | | |
| 419834 | 11 | 51/00 | | | | | | | 444727 | 33 | 23/00 | 1 | 26/01 | | | | | |
| 419855 | 13 | 3/00 | | | | | | | 444728 | 30 | 28/00 | | | | | | | |
| 419867 | 13 | 53/00 | | | | | | | 444729 | 1 | 29/00 | | | | | | | |
| 419876 | 44 | 1/00 | | | | | | | 444732 | 16 | 48/00 | | | | | | | |
| 420217 | 7 | 40/00 | | | | | | | 444824 | 5 | 28/00 | | | | | | | |
| 420227 | 36 | 27/00 | | | | | | | 444826 | 16 | 22/00 | | | | | | | |
| 430000 | 57 | 23/00 | 7 | 25/00 | | | | | 444885 | 44 | 23/00 | | | | | | | |
| 432764 | 18 | 20/00 | 34 | 21/00 | | | | | 444894 | 24 | 23/00 | 32 | 28/00 | | | | | |
| 432765 | 17 | 20/00 | 33 | 21/00 | | | | | 444902 | 6 | 24/00 | | | | | | | |
| 432767 | 16 | 20/00 | 36 | 21/00 | | | | | 444903 | 14 | 28/00 | | | | | | | |
| 443039 | 19 | 3/00 | | | | | | | 444904 | 30 | 23/00 | | | | | | | |
| 443090 | 12 | 50/00 | | | | | | | 444905 | 10 | 24/00 | | | | | | | |
| 443490 | 11 | 8/00 | 1 | 10/00 | 49 | 28/00 | 22 | 48/00 | 444906 | 30 | 27/00 | | | | | | | |
| 443490 | 10 | 49/00 | 32 | 53/00 | 26 | 56/00 | | | 444907 | 7 | 28/00 | | | | | | | |
| 443504 | 2 | 59/00 | | | | | | | 444908 | 41 | 23/00 | | | | | | | |
| 443518 | 3 | 59/00 | | | | | | | 445001 | 20 | 23/00 | 34 | 28/00 | | | | | |
| 443567 | 37 | 23/00 | 20 | 27/00 | | | | | 445056 | 53 | 23/00 | | | | | | | |
| 443570 | 22 | 53/00 | 36 | 56/00 | 6 | 59/00 | | | 445105 | 7 | 23/00 | | | | | | | |
| 443762 | 6 | 29/00 | | | | | | | 445108 | 6 | 23/00 | | | | | | | |
| 443767 | 40 | 1/00 | | | | | | | 445109 | 5 | 23/00 | | | | | | | |
| 444350 | 13 | 50/00 | 7 | 59/00 | | | | | 445116 | 3 | 28/00 | | | | | | | |
| 444400 | 24 | 15/00 | 21 | 15/01 | | | | | 445117 | 2 | 28/00 | | | | | | | |
| 444501 | 1 | 12/00 | 1 | 12/01 | | | | | 445120 | 4 | 26/01 | | | | | | | |
| 444504 | 25 | 30/00 | | | | | | | 445121 | 2 | 26/01 | | | | | | | |
| 444573 | 1 | 35/00 | 49 | 36/00 | | | | | 445130 | 5 | 26/01 | | | | | | | |
| 444574 | 2 | 35/00 | 54 | 36/00 | | | | | 445131 | 3 | 26/01 | | | | | | | |
| 444575 | 3 | 35/00 | 55 | 36/00 | | | | | 445132 | 16 | 24/00 | | | | | | | |
| 444592 | 4 | 34/00 | | | | | | | 445133 | 15 | 24/00 | | | | | | | |
| 444593 | 19 | 53/00 | 32 | 56/00 | | | | | 445135 | 2 | 29/00 | | | | | | | |
| 444620 | 10 | 3/00 | | | | | | | 445136 | 12 | 29/00 | | | | | | | |
| 444622 | 30 | 48/00 | | | | | | | 445137 | 14 | 29/00 | | | | | | | |
| 444623 | 29 | 48/00 | | | | | | | 445148 | 16 | 29/00 | 46 | 78/00 | | | | | |
| 444654 | 2 | 22/00 | | | | | | | 445152 | 16 | 42/00 | | | | | | | |
| 444655 | 3 | 22/00 | | | | | | | 445158 | 4 | 59/00 | | | | | | | |
| 444659 | 1 | 27/00 | | | | | | | 445160 | 43 | 23/00 | | | | | | | |
| 444661 | 1 | 22/00 | | | | | | | 445161 | 47 | 23/00 | | | | | | | |
| 444664 | 22 | 27/00 | | | | | | | 445166 | 13 | 23/00 | | | | | | | |
| 444667 | 19 | 28/00 | | | | | | | 445176 | 12 | 28/00 | | | | | | | |
| 444668 | 20 | 28/00 | | | | | | | 445177 | 31 | 28/00 | | | | | | | |
| 444669 | 15 | 22/00 | | | | | | | 445179 | 1 | 24/00 | | | | | | | |
| 444672 | 12 | 22/00 | | | | | | | 445181 | 14 | 25/00 | | | | | | | |
| 444677 | 34 | 23/00 | | | | | | | 445183 | 25 | 28/00 | 15 | 51/00 | | | | | |
| 444679 | 27 | 27/00 | | | | | | | 445193 | 50 | 23/00 | | | | | | | |
| 444680 | 28 | 27/00 | | | | | | | 445194 | 51 | 23/00 | | | | | | | |
| 444681 | 25 | 27/00 | | | | | | | 445195 | 8 | 25/00 | | | | | | | |
| 444682 | 26 | 27/00 | | | | | | | 445203 | 20 | 46/00 | | | | | | | |
| 444685 | 18 | 27/00 | | | | | | | 445213 | 47 | 28/00 | | | | | | | |
| 444686 | 17 | 27/00 | | | | | | | 445219 | 6 | 28/00 | | | | | | | |
| 444691 | 29 | 27/00 | | | | | | | 445221 | 31 | 78/00 | | | | | | | |
| 444694 | 29 | 23/00 | | | | | | | 445222 | 25 | 78/00 | | | | | | | |
| 444697 | 2 | 24/00 | | | | | | | 445223 | 20 | 78/00 | | | | | | | |

Index

| | | | | | | | | | |
|--------|----|-------|----|-------|--------|----|-------|----|-------|
| 490277 | 1 | 56/00 | 1 | 57/00 | 490838 | 17 | 2/00 | | |
| 490282 | 2 | 56/00 | | | 490840 | 4 | 78/00 | | |
| 490284 | 1 | 53/00 | | | 490841 | 6 | 78/00 | | |
| 490285 | 2 | 53/00 | | | 490842 | 6 | 77/00 | | |
| 490286 | 16 | 8/00 | | | 490843 | 15 | 77/00 | | |
| 490287 | 5 | 7/00 | | | 490844 | 14 | 77/00 | | |
| 490289 | 1 | 8/00 | | | 490845 | 22 | 77/00 | | |
| 490293 | 46 | 28/00 | | | 490846 | 22 | 75/00 | 25 | 76/00 |
| 490341 | 10 | 35/00 | 9 | 36/00 | 490847 | 25 | 75/00 | 28 | 76/00 |
| 490372 | 11 | 35/00 | 12 | 36/00 | 490850 | 24 | 75/00 | 27 | 76/00 |
| 490375 | 12 | 35/00 | 10 | 36/00 | 490852 | 21 | 75/00 | 24 | 76/00 |
| 490376 | 13 | 35/00 | 11 | 36/00 | 490853 | 23 | 75/00 | 26 | 76/00 |
| 490377 | 14 | 35/00 | 6 | 36/00 | 490854 | 41 | 75/00 | 39 | 76/00 |
| 490378 | 15 | 35/00 | | | 490860 | 15 | 2/00 | | |
| 490379 | 16 | 35/00 | | | 490872 | 18 | 53/00 | | |
| 490386 | 17 | 35/00 | | | 490886 | 56 | 32/00 | | |
| 490387 | 18 | 35/00 | | | 490887 | 57 | 32/00 | | |
| 490408 | 21 | 54/00 | | | 490888 | 9 | 3/00 | 2 | 30/00 |
| 490420 | 51 | 35/00 | | | 490889 | 59 | 28/00 | | |
| 490482 | 38 | 55/00 | | | 490890 | 61 | 28/00 | | |
| 490519 | 24 | 54/00 | | | 490891 | 23 | 55/00 | | |
| 490551 | 28 | 54/00 | | | 490895 | 63 | 55/00 | | |
| 490575 | 38 | 52/00 | 30 | 54/00 | 490904 | 41 | 3/00 | | |
| 490593 | 19 | 55/00 | | | 490908 | 12 | 51/00 | | |
| 490597 | 30 | 36/00 | | | 490909 | 13 | 51/00 | | |
| 490602 | 55 | 35/00 | 42 | 36/00 | 491026 | 32 | 30/00 | | |
| 490606 | 18 | 36/00 | | | 491081 | 10 | 31/00 | | |
| 490609 | 24 | 38/00 | | | 491186 | 12 | 20/00 | 27 | 21/00 |
| 490611 | 45 | 38/00 | | | 491233 | 24 | 21/00 | | |
| 490612 | 1 | 36/00 | 1 | 38/00 | 491255 | 36 | 3/00 | | |
| 490614 | 54 | 35/00 | 39 | 36/00 | 491276 | 39 | 3/00 | | |
| 490616 | 52 | 35/00 | 38 | 36/00 | 491315 | 34 | 32/00 | | |
| 490618 | 22 | 36/00 | 13 | 38/00 | 491317 | 12 | 34/00 | | |
| 490619 | 14 | 36/00 | | | 491326 | 33 | 32/00 | | |
| 490647 | 53 | 55/00 | | | 491337 | 14 | 32/00 | | |
| 490655 | 61 | 55/00 | | | 491338 | 17 | 32/00 | | |
| 490657 | 13 | 56/00 | | | 491339 | 40 | 30/00 | | |
| 490659 | 35 | 55/00 | | | 491340 | 33 | 30/00 | | |
| 490660 | 33 | 55/00 | | | 491344 | 2 | 32/00 | | |
| 490665 | 7 | 56/00 | | | 491360 | 50 | 30/00 | | |
| 490667 | 28 | 57/00 | | | 491372 | 7 | 34/00 | | |
| 490675 | 7 | 54/00 | | | 491394 | 46 | 28/00 | 13 | 49/00 |
| 490687 | 6 | 56/00 | | | 491416 | 36 | 30/00 | | |
| 490701 | 38 | 56/00 | | | 491426 | 23 | 3/00 | | |
| 490703 | 39 | 56/00 | | | 491427 | 24 | 3/00 | | |
| 490718 | 45 | 50/00 | | | 491429 | 26 | 48/00 | | |
| 490729 | 17 | 8/00 | | | 491443 | 17 | 25/00 | 12 | 27/00 |
| 490733 | 26 | 8/00 | | | 491454 | 20 | 15/00 | | |
| 490734 | 53 | 30/00 | | | 491466 | 14 | 15/00 | | |
| 490737 | 20 | 8/00 | | | 491496 | 1 | 34/00 | | |
| 490820 | 2 | 8/00 | | | 491499 | 27 | 32/00 | | |
| 490823 | 15 | 8/00 | | | 491518 | 16 | 34/00 | | |
| 490825 | 6 | 8/00 | | | 491520 | 14 | 34/00 | | |
| 490826 | 24 | 40/00 | | | 491527 | 30 | 32/00 | | |
| 490830 | 30 | 40/00 | | | 491568 | 15 | 32/00 | | |
| 490835 | 29 | 8/00 | | | 491579 | 24 | 30/00 | 18 | 31/00 |
| 490837 | 18 | 2/00 | | | 491592 | 9 | 29/00 | | |

Index

| | | | | | | |
|--------|----|-------|----------|--------|----|-------|
| 501578 | 2 | 41/00 | | 660054 | 46 | 7/00 |
| 501607 | 3 | 41/00 | | 667088 | 8 | 15/01 |
| 501614 | 42 | 52/00 | | 672836 | 6 | 10/00 |
| 501628 | 37 | 52/00 | | 672838 | 7 | 10/00 |
| 501631 | 3 | 53/00 | | 672842 | 8 | 10/00 |
| 501643 | 6 | 41/00 | | 672861 | 9 | 10/00 |
| 501644 | 7 | 41/00 | | 672862 | 20 | 10/00 |
| 501648 | 1 | 58/00 | | 732443 | 23 | 21/00 |
| 501650 | 2 | 58/00 | | 741050 | 12 | 15/00 |
| 501657 | 9 | 56/00 | | 801019 | 18 | 49/00 |
| 501680 | 3 | 37/00 | 3 38/00 | | | |
| 501681 | 2 | 37/00 | 2 38/00 | | | |
| 501682 | 25 | 37/00 | 32 38/00 | | | |
| 501683 | 41 | 37/00 | 48 38/00 | | | |
| 501684 | 44 | 37/00 | | | | |
| 501690 | 17 | 40/00 | | | | |
| 501691 | 10 | 40/00 | | | | |
| 501693 | 2 | 40/00 | | | | |
| 501694 | 25 | 40/00 | | | | |
| 501697 | 21 | 37/00 | 17 38/00 | | | |
| 501766 | 22 | 40/00 | | | | |
| 501770 | 13 | 40/00 | | | | |
| 501858 | 26 | 34/00 | | | | |
| 501869 | 14 | 39/00 | | | | |
| 501889 | 14 | 37/00 | | | | |
| 501890 | 7 | 37/00 | 22 38/00 | | | |
| 501891 | 48 | 37/00 | 19 38/00 | | | |
| 501901 | 26 | 37/00 | 34 38/00 | | | |
| 501993 | 14 | 55/00 | | | | |
| 501995 | 10 | 55/00 | | | | |
| 502244 | 1 | 55/00 | 3 57/00 | | | |
| 502248 | 9 | 55/00 | | | | |
| 502258 | 24 | 28/00 | | | | |
| 502259 | 11 | 23/00 | | | | |
| 502298 | 50 | 37/00 | 21 43/00 | | | |
| 502354 | 57 | 37/00 | 34 43/00 | | | |
| 502376 | 45 | 1/00 | | | | |
| 502377 | 45 | 1/00 | | | | |
| 502378 | 4 | 57/00 | | | | |
| 502429 | 2 | 42/00 | | | | |
| 502430 | 12 | 42/00 | | | | |
| 502433 | 5 | 42/00 | | | | |
| 502435 | 19 | 42/00 | | | | |
| 502471 | 32 | 34/00 | | | | |
| 502474 | 24 | 51/00 | | | | |
| 502475 | 43 | 51/00 | | | | |
| 502476 | 41 | 51/00 | | | | |
| 502479 | 11 | 42/00 | | | | |
| 502505 | 52 | 51/00 | | | | |
| 502507 | 26 | 36/00 | 9 38/00 | | | |
| 502937 | 4 | 72/00 | | | | |
| 503101 | 23 | 61/00 | | | | |
| 503110 | 37 | 45/00 | 19 77/00 | | | |
| 504002 | 7 | 17/00 | | | | |
| 504003 | 7 | 14/00 | 29 55/00 | | | |
| 611201 | 5 | 21/00 | | | | |
| 618296 | 23 | 33/00 | | | | |