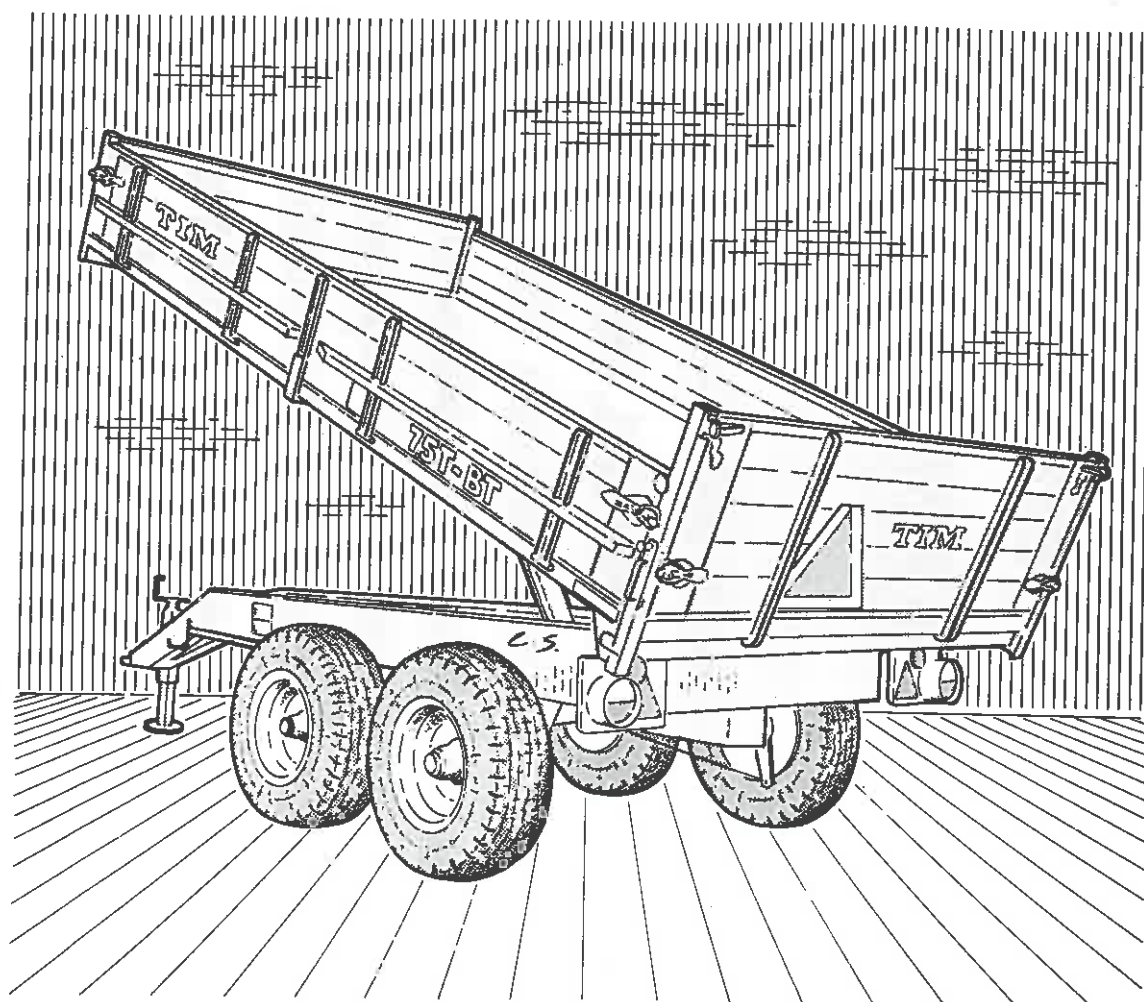


TIM

RESERVEDELSLISTE MED TILBEHØR **SPARE PARTS LIST WITH ACCESSORIES**

6,5T - 7,5T - BT/BTS



Katalog nr. Catalog No. Katalog nr. 3020

TIM MASKINFABRIK A/S
Postboks 38
Fabrikvej 13
DK-6980 Tim

Tlf. +45 97 33 31 44
Fax. +45 97 33 35 44

Danish Company Reg. No. 34 792
Bank: Jyske Bank A/S
Account No. 7590-2009531



KATALOGOPBYGNING

1. Forside med katalognr.
2. Side med generelle oplysninger om:
 - a) katalogopbygning
 - b) reservedelsbestilling
3. Side med dækningsfortegnelse:
angiver:
 - a) komplet varenr.
 - b) tekst til varenr.
 - c) gældende serie for varenr.
4. Side med indholdsfortegnelse:
angiver:
 - a) sidenr. med overskrift
 - b) sidens varenr. med tekst og gældende serienr.
5. Illustrationssider med tilhørende tekstsider.
6. Indexsider, angiver under hvilket pos.- og sidenr. reservedelen findes.

AUFBAU DES KATALOGS

1. Vorderseite mit Katalognummer
2. Blatt mit generellen Auskünften:
 - a) Katalogaufbau
 - b) Ersatzteilbestellung
3. Blatt mit Umfassungsangaben:
 - a) Komplette Warennummer
 - b) Text der Warennummer
 - c) Geltende Serien für die Warennummer
4. Blatt mit Inhaltsverzeichnis:
 - a) Nummer und Überschrift der Seite
 - b) Warennummer der Seite mit Text und geltender Seriennummer
5. Illustrationsseiten mit gehörenden Textseiten.
6. Indexseiten mit Angabe der Positions- und Seitennummer, wo der Teil zu finden ist.

BUILD-UP OF MANUAL

1. Front page with manual number.
2. Leaf with general information:
 - a) Build-up of manual
 - b) Ordering spare parts
3. Leaf with contents' index:
 - a) Complete article number
 - b) Text for article number
 - c) Series valid for article number
4. Leaf with contents:
 - a) Number and headline of page
 - b) Article No. of page with text and valid series Nos.
5. Illustration pages with belonging text sides.
6. Index pages specifying the pos. and page Nos. where the spare part can be found.

KATALOGENS UPPBYGGNAD

1. Framsida med katalognummer.
2. Blad med upplysning om:
 - a) katalogens uppbyggnad
 - b) reservedelsbeställning
3. Blad över omfattning:
 - a) komplett varunummer
 - b) varunumrets text
 - c) serier som varunumret omfattar
4. Blad med innehållsförteckning:
 - a) Sidans nr. och överskrift
 - b) Sidans varunr. med text och gällande serier
5. Illustrationssidor med tillhörande textsidor.
6. Indexsidor med angivelse av pos. och sidonr. för reservdelar.

Reservedelsbestilling:

For at fremme ekspeditionen og undgå fejlforsendelser bedes følgende oplyst:

Maskinens serienr. _____

Maskinens typenr. _____

Reservedelens nr. og antal _____

Forsendelsesmåde _____

Katalog nr. _____

T xxxxxx S xxxx

K xxxx

(findes på maskinens front)

Ersatzteilbestellungen:

Um den Versand zu beschleunigen und Fehllieferungen zu vermeiden, bitten wir um folgende Angaben:

Serienr. der Maschine _____

Typenr. der Maschine _____

Ersatzteilnr. und Stückzahl _____

Versandweise _____

Katalognr. _____

T xxxxxx S xxxx

K xxxx

(sitzt an Maschinenfront)

Spare Part orders:

In order to ensure fast and correct delivery, please inform us about the following:

Serial No. of the Machine _____

Type No. of the Machine _____

Spare Part No. and units _____

Mode of delivery _____

Catalogue No. _____

T xxxxxx S xxxx

K xxxx

(on front of machine)

Reservdelsbeställningar:

För att säkra snabb expediering och undgå felleveranser ber vi om följande upplysningar:

Maskinens serienr. _____

Maskinens typnr. _____

Reservdelsnr. och antal _____

Leveranssätt _____

Katalognr. _____

T xxxxxx S xxxx

K xxxx

(på maskinens framsida)

Højre og venstre markering i styklisten i denne reservedelsliste er vognen/maskinen set bagfra i kørselsretningen.

Stehen in der Stückliste die Richtungsangaben links oder rechts, so sind diese Hinweise in Fahrtrichtung der Maschine zu sehen.

Right and left indication in the part list of this spare part manual is the trailer/machine as seen from behind in the travel direction.

Angivelse av höger eller vänster i reservdelskatalogens styckliste avser vagnen/maskinen sedd bakifrån i körriktningen.

BRUGSMANUAL FOR 6,5-7,5T-BT/BTS (Katalog 3020)

Vognen tilkobles traktor og forsvarlig træknagle isættes og sikres med traktorsplit.

Lysstik tilkobles efter omstående el-diagram.

Hydraulikslangen tilkobles traktorens enkeltvirkende udtag (1/2").

Max. olietryk for tip ved max. last: 210 kp/cm².

Hjul:

Tryk:

12.5/80 x 15.3 - 12 ply	5.1 kp/cm ² , 74 lb/sq.in
12.5/80 x 15.3 - 12 ply/stål	5.2 kp/cm ² , 74 lb/sq.in
14.0/65 x 16.0 - 10 ply	3.9 kp/cm ² , 55 lb/sq.in
14.0/65 x 16.0 - 14 ply	5.5 kp/cm ² , 78 lb/sq.in
14.0/65 x 16.0 - 14 ply/stål	5.5 kp/cm ² , 78 lb/sq.in
15.0/70 x 18.0 - 14 ply/stål	4.3 kp/cm ² , 61 lb/sq.in

Navboltetilspænding: 6-huls: 30 kpm - 8 huls: 40 kpm

Ved vogne med oliebremse skal anvendes følgende bremsetryk:

Max. bremsetryk: 120 bar
Max. returtryk: 6 bar

Samtlige smøresteder smøres for hver 40 timers brug.

Eftersyn/smøring for hver 200 timer: Hjulene kontrolleres for lejeslør og justeres on nødvendigt, smøres med lefefedt.

Bremser adskilles, rengøres og kontrol foretages af bremsebelægning og tromler.

For sikkerhedens skyld: Sørg for rene og tørre bremser - udskift før de er slidt helt ned.

(Husk også at kontrollere dækkenes tilstand).

ADVARSEL:

Den (de) medleverede ladstøtte(r) skal altid anvendes for understøtning, når der skal arbejdes under hævet tomt tiplad (tipladet skal altid være tomt, før arbejdet påbegyndes).

Der må ikke køres med hævet tiplad!

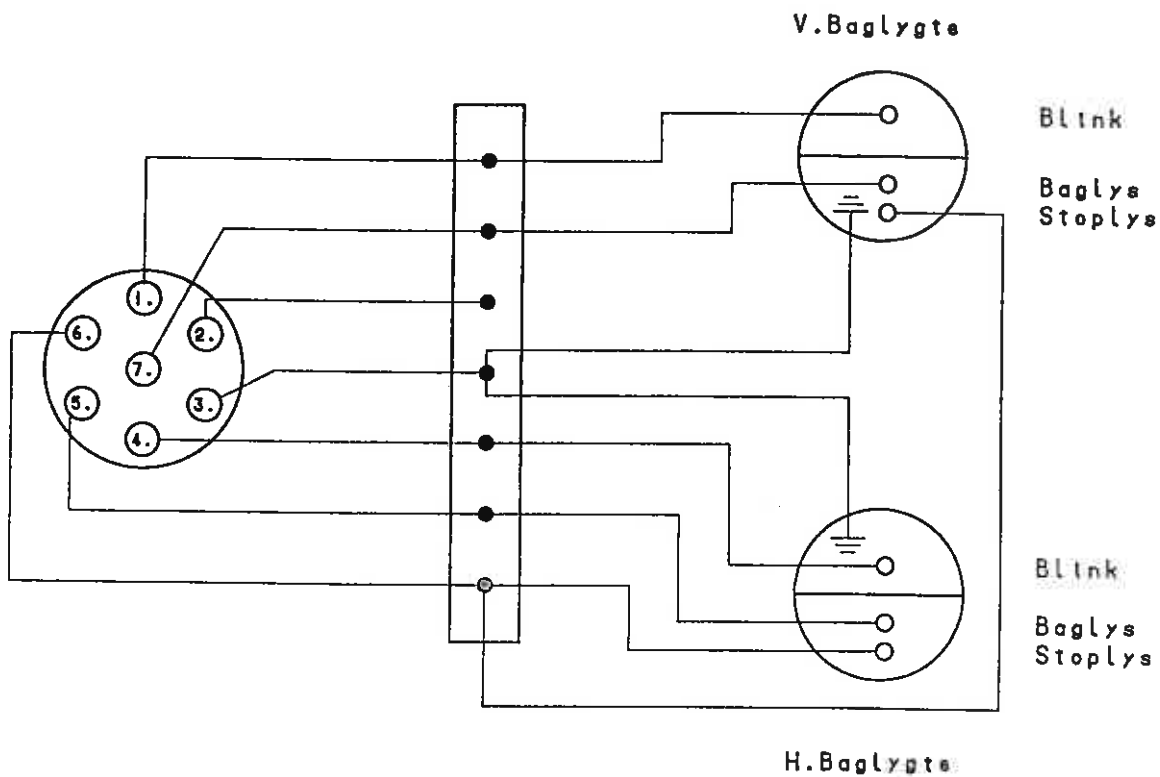
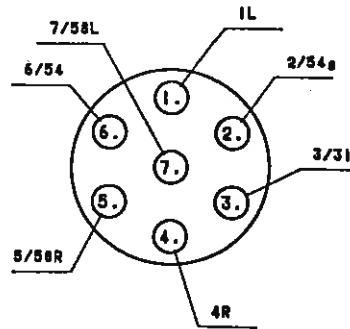
Efterse at der ved tipning er frihøjde for vognens forkant.

Vedr. hævekonsol: HUSK: før tipning SKAL vognen være tilkoblet traktorens træk med træknagle!

El-diagram for lys - se bagsiden.

EL-DIAGRAM

- 1. Venstre sideblink - 1 L
- 2. Fnt - 2/54 g
- 3. Stel - 3/31
- 4. Højre sideblink - 4 R
- 5. Højre baglys,
nummerplade - 5/58 R
- 6. Stoplys - 6/54
- 7. Venstre baglys - 7/58 L



OPERATORS INSTRUCTION FOR 6,5-7,5T-BT/BTS (Catalogue 3020)

The trailer is connected to the tractor and a secure drawnail is inserted and secured by the hitch pin.

The light plug is connected in accordance with the overleaf circuit diagram.

The hydraulic hose is connected to the single-acting take-off (1/2") of the tractor.

Max. oil pressure for tipping at max. load: 210 kp/cm².

Wheels:

Pressure:

12.5/80 x 15.3 - 12 ply	5.1 kp/cm ² , 74 lb/sq.in
12.5/80 x 15.3 - 12 ply/steel	5.2 kp/cm ² , 74 lb/sq.in
14.0/65 x 16.0 - 10 ply	3.9 kp/cm ² , 55 lb/sq.in
14.0/65 x 16.0 - 14 ply	5.5 kp/cm ² , 78 lb/sq.in
14.0/65 x 16.0 - 14 ply/steel	5.5 kp/cm ² , 78 lb/sq.in
15.0/70 x 18.0 - 14 ply/steel	4.3 kp/cm ² , 61 lb/sq.in

Tightening of hub bolts: 6-holes: 30 kpm - 8 holes: 40 kpm

For trailers with oil brakes you must use the following brake pressure:

Max. brake pressure: 120 bar
Max. return pressure: 6 bar

All lubrication points are to be lubricated for every 40 hours.

Inspection/lubrication for every 200 hours: Control of the wheels for bearing slackness and adjustment if necessary, lubrication with bearing grease.

Brakes are disassembled and cleaned and brake lining and brake cylinders are controlled.

For the sake of security: See to it that the brakes are clean and dry - exchange them before they are totally worn-down.

(Do not forget to control the condition of the tyres).

WARNING:

Always apply the enclosed platform support(s), when working under a lifted, empty dump body (the dump body should always be empty, before the work is started).

Driving with lifted dump body is not allowed!

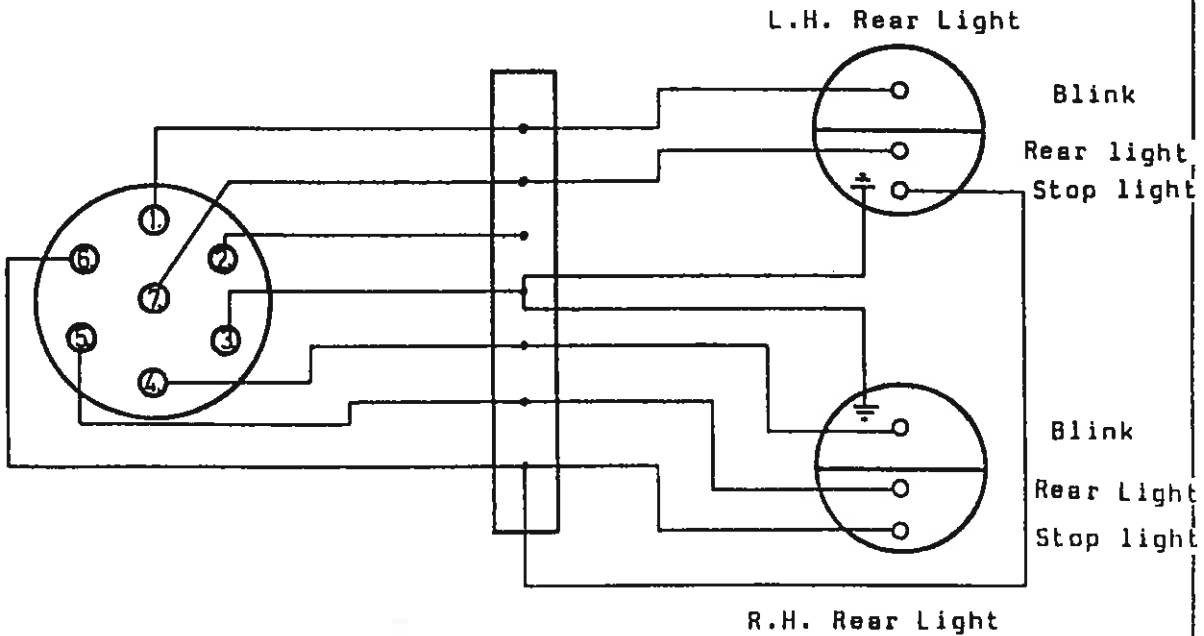
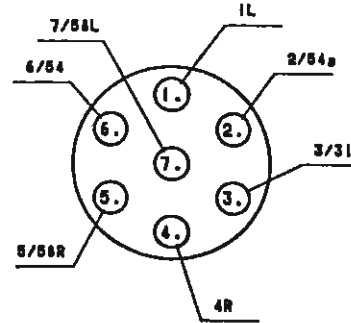
When tipping you should control, that there is some free height for the front edge of the trailer.

Re lifting bracket: REMEMBER: before tipping, the trailer MUST be connected to the hitch of the tractor by means of the hitch pin.

Circuit diagram for light - see overleaf.

Electric diagram - Traffic lights

- 1. Left blinker - 1 L
- 2. Free - 2/54 g
- 3. Frame - 3/31
- 4. Right blinker - 4 R
- 5. Right rear light, number plate - 5/58 R
- 6. Stop light - 6/54
- 7. Left rear light - 7/58 L



	Indholdsfortegnelse	Contents	Inhaltsverzeichnis	
1/00	Chassis, ladramme alm.6,5-7,5BT	Chassis, platform frame, st.	Rahmen, Plattf.-rahmen, Serie	
646010	6,5T-BT-14.0/65X16-14 PLY 1001 1002 1003	6,5T-BT 14.0/65X16-14 P	6,5T-BT 14.0/65X16-14 P	
646011	7,5T-BT BOGIE 12.5/80X15.3-12 PLY 1001 1002 1003	7,5T-BT BOGIE 12.5/80X1	7,5T-BT TANDEM 12.5/80X	
2/00	Chassis, ladramme indr.6.5-7.5BT	Frame, platform frame f. reg.	Rahmen, Plattf.-rahmen, f. Gen.	
646012	6,5T-BT INDREG.-14.0/65X16-14 STÅL 1001 1002	6,5T-BT W/BRAKES 14.0/6	6,5T-BT M/BREMSE 14.0/6	
646013	7,5T-BT, INDREG.-12.5/80X15.3-12 ST 1001	7,5T-BT W/BRAKES 12.5/8	7,5T-BT M/BREMSE 12.5/8	
3/00	Chassis, ladramme 6.5-7.5T-BTS	Frame, platform f/6.5-7.5T-BTS	Rahmen, Plattf. f/6.5-7.5T-BTS	
646015	6.5T-BTS 14.0/65X16-14 PLY 1001 1002 1003	6.5T-BTS 14.0/65X16-14	6.5T-BTS 14.0/65X16-14	
646016	7.5T-BTS BOGIE 11.5/80X15.3-10 PLY 1001 1002 1003	7.5T-BTS BOGIE 11.5/80X	7.5T-BTS TAND. 11.5/80X	
4/00	Støttefod + træk	Jack + drawbar	Stützfuss + Zug	
646010	6,5T-BT-14.0/65X16-14 PLY 1001 1002 1003	6,5T-BT 14.0/65X16-14 P	6,5T-BT 14.0/65X16-14 P	
646011	7,5T-BT BOGIE 12.5/80X15.3-12 PLY 1001 1002 1003	7,5T-BT BOGIE 12.5/80X1	7,5T-BT TANDEM 12.5/80X	
646012	6,5T-BT INDREG.-14.0/65X16-14 STÅL 1001 1002	6,5T-BT W/BRAKES 14.0/6	6,5T-BT M/BREMSE 14.0/6	
646013	7,5T-BT, INDREG.-12.5/80X15.3-12 ST 1001	7,5T-BT W/BRAKES 12.5/8	7,5T-BT M/BREMSE 12.5/8	
646015	6.5T-BTS 14.0/65X16-14 PLY 1001 1002 1003	6.5T-BTS 14.0/65X16-14	6.5T-BTS 14.0/65X16-14	
646016	7.5T-BTS BOGIE 11.5/80X15.3-10 PLY 1001 1002 1003	7.5T-BTS BOGIE 11.5/80X	7.5T-BTS TAND. 11.5/80X	
5/00	Enkelt aksel f/6.5T (HDL57)	Single axle (HDL57)	Einzelachse (HDL57)	
646010	6,5T-BT-14.0/65X16-14 PLY 1001	6,5T-BT 14.0/65X16-14 P	6,5T-BT 14.0/65X16-14 P	
646015	6.5T-BTS 14.0/65X16-14 PLY 1001	6.5T-BTS 14.0/65X16-14	6.5T-BTS 14.0/65X16-14	
5/01	Enkelt aksel f/6.5T (L55-6)	Single axle (L55-6)	Einzelachse (L55-6)	
646010	6,5T-BT-14.0/65X16-14 PLY 1002 1003	6,5T-BT 14.0/65X16-14 P	6,5T-BT 14.0/65X16-14 P	
646015	6.5T-BTS 14.0/65X16-14 PLY 1002 1003	6.5T-BTS 14.0/65X16-14	6.5T-BTS 14.0/65X16-14	
6/00	Enkelt aksel m/bremse (Peitz)	Single axle with brake	Einzelachse mit Bremse	
646012	6,5T-BT INDREG.-14.0/65X16-14 STÅL 1001	6,5T-BT W/BRAKES 14.0/6	6,5T-BT M/BREMSE 14.0/6	

Dækningsfortegnelse		Covering index	Deckung
639839	OLIE TRYSKBREMSE 7,5T-LT/7,0T-SBT * 1001	HYDRAULIC BRAKES 2-WH.	HYDR. BREMSE (2 RÆDERN)
646010	6,5T-BT-14.0/65X16-14 PLY 1001 1002 1003	6,5T-BT 14.0/65X16-14 P	6,5T-BT 14.0/65X16-14 P
646011	7,5T-BT BOGIE 12.5/80X15.3-12 PLY 1001 1002 1003	7,5T-BT BOGIE 12.5/80X1	7,5T-BT TANDEM 12.5/80X
646012	6,5T-BT INDREG.-14.0/65X16-14 STÅL 1001 1002	6,5T-BT W/BRAKES 14.0/6	6,5T-BT M/BREMSE 14.0/6
646013	7,5T-BT, INDREG.-12.5/80X15.3-12 ST 1001	7,5T-BT W/BRAKES 12.5/8	7,5T-BT M/BREMSE 12.5/8
646015	6.5T-BTS 14.0/65X16-14 PLY 1001 1002 1003	6.5T-BTS 14.0/65X16-14	6.5T-BTS 14.0/65X16-14
646016	7.5T-BTS BOGIE 11.5/80X15.3-10 PLY 1001 1002 1003	7.5T-BTS BOGIE 11.5/80X	7.5T-BTS TAND. 11.5/80X

	Indholdsfortegnelse	Contents	Inhaltsverzeichnis
6/01	Enkel aksel m/bremse (Nagbøl)	Single axle w/brake	Einzelachse mit Bremse
646012	6,5T-BT INDREG.-14.0/65X16-14 STÅL 1002	6,5T-BT W/BRAKES 14.0/6	6,5T-BT M/BREMSE 14.0/6
7/00	Bogie 7.5T - BT/BTS (HDL57)	Bogie 7.5T - BT/BTS (HDL57)	Tandem 7.5T - BT/BTS (HDL57)
646011	7,5T-BT BOGIE 12.5/80X15.3-12 PLY 1001	7,5T-BT BOGIE 12.5/80X1	7,5T-BT TANDEM 12.5/80X
646016	7.5T-BTS BOGIE 11.5/80X15.3-10 PLY 1001	7.5T-BTS BOGIE 11.5/80X	7.5T-BTS TAND. 11.5/80X
7/01	Bogie 7.5T-BT/BTS (L55-6)	Bogie 7.5T-BT/BTS (L55-6)	Tandem 7.5T-BT/BTS (L55-6)
646011	7,5T-BT BOGIE 12.5/80X15.3-12 PLY 1002 1003	7,5T-BT BOGIE 12.5/80X1	7,5T-BT TANDEM 12.5/80X
646016	7.5T-BTS BOGIE 11.5/80X15.3-10 PLY 1002 1003	7.5T-BTS BOGIE 11.5/80X	7.5T-BTS TAND. 11.5/80X
8/00	Bogie med bremse (7.5T - BT)	Bogie with brake (7.5T - BT)	Tandem mit Bremse (7.5T - BT)
639839	OLIETRYSKBREMSE 7,5T-LT/7,0T-SBT * 1001	HYDRAULIC BRAKES 2-WH.	HYDR. BREMSE (2 RAEDERN)
9/00	Bogie m/4-hjuls bremser	Bogie w/4-wheels oil brakes	Tandem m/4-Rad Oelbremsen
646013	7,5T-BT, INDREG.-12.5/80X15.3-12 ST 1001	7,5T-BT W/BRAKES 12.5/8	7,5T-BT M/BREMSE 12.5/8
10/00	Hydraulik (- bremser) 1001-1002	Hydraulics 1001-1002	Hydraulik 1001-1002
646010	6,5T-BT-14.0/65X16-14 PLY 1001 1002	6,5T-BT 14.0/65X16-14 P	6,5T-BT 14.0/65X16-14 P
646011	7,5T-BT BOGIE 12.5/80X15.3-12 PLY 1001 1002	7,5T-BT BOGIE 12.5/80X1	7,5T-BT TANDEM 12.5/80X
646015	6.5T-BTS 14.0/65X16-14 PLY 1001 1002	6.5T-BTS 14.0/65X16-14	6.5T-BTS 14.0/65X16-14
646016	7.5T-BTS BOGIE 11.5/80X15.3-10 PLY 1001 1002	7.5T-BTS BOGIE 11.5/80X	7.5T-BTS TAND. 11.5/80X
10/01	Hydraulik (excl. bremser) 1003	Hydraulics 1003	Hydraulik 1003
646010	6,5T-BT-14.0/65X16-14 PLY 1003	6,5T-BT 14.0/65X16-14 P	6,5T-BT 14.0/65X16-14 P
646011	7,5T-BT BOGIE 12.5/80X15.3-12 PLY 1003	7,5T-BT BOGIE 12.5/80X1	7,5T-BT TANDEM 12.5/80X
646015	6.5T-BTS 14.0/65X16-14 PLY 1003	6.5T-BTS 14.0/65X16-14	6.5T-BTS 14.0/65X16-14
646016	7.5T-BTS BOGIE 11.5/80X15.3-10 PLY 1003	7.5T-BTS BOGIE 11.5/80X	7.5T-BTS TAND. 11.5/80X
11/00	Hydr. 6.5T m/bremse (PEITZ)	Hydraulics 6.5T w/brake	Hydraulik 6.5T m/Bremsen
646012	6,5T-BT INDREG.-14.0/65X16-14 STÅL 1001	6,5T-BT W/BRAKES 14.0/6	6,5T-BT M/BREMSE 14.0/6

	Indholdsfortegnelse	Contents	Inhaltsverzeichnis
11/01	Hydr. 6.5T m/bremser (NAGBØL)	Hydraulics 6.5T w/brake	Hydraulik 6.5T m/Bremsen
646012	6,5T-BT INDREG.-14.0/65X16-14 STÅL 1002	6,5T-BT W/BRAKES 14.0/6	6,5T-BT M/BREMSE 14.0/6
12/00	Hydralik for 7.5T m/bremser	Hydraulics for 7.5T w/brake	Hydraulik für 7.5T m/Bremsen
646013	7,5T-BT, INDREG.-12.5/80X15.3-12 ST 1001	7,5T-BT W/BRAKES 12.5/8	7,5T-BT M/BREMSE 12.5/8
13/00	Cylinder 1001-1002	Cylinder 1001-1002	Zylinder 1001-1002
646010	6,5T-BT-14.0/65X16-14 PLY 1001 1002	6,5T-BT 14.0/65X16-14 P	6,5T-BT 14.0/65X16-14 P
646011	7,5T-BT BOGIE 12.5/80X15.3-12 PLY 1001 1002	7,5T-BT BOGIE 12.5/80X1	7,5T-BT TANDEM 12.5/80X
646012	6,5T-BT INDREG.-14.0/65X16-14 STÅL 1001 1002	6,5T-BT W/BRAKES 14.0/6	6,5T-BT M/BREMSE 14.0/6
646013	7,5T-BT, INDREG.-12.5/80X15.3-12 ST 1001	7,5T-BT W/BRAKES 12.5/8	7,5T-BT M/BREMSE 12.5/8
646015	6.5T-BTS 14.0/65X16-14 PLY 1001 1002	6.5T-BTS 14.0/65X16-14	6.5T-BTS 14.0/65X16-14
646016	7.5T-BTS BOGIE 11.5/80X15.3-10 PLY 1001 1002	7.5T-BTS BOGIE 11.5/80X	7.5T-BTS TAND. 11.5/80X
13/01	Cylinder 1003	Cylinder 1003	Zylinder 1003
646010	6,5T-BT-14.0/65X16-14 PLY 1003	6,5T-BT 14.0/65X16-14 P	6,5T-BT 14.0/65X16-14 P
646011	7,5T-BT BOGIE 12.5/80X15.3-12 PLY 1003	7,5T-BT BOGIE 12.5/80X1	7,5T-BT TANDEM 12.5/80X
646015	6.5T-BTS 14.0/65X16-14 PLY 1003	6.5T-BTS 14.0/65X16-14	6.5T-BTS 14.0/65X16-14
646016	7.5T-BTS BOGIE 11.5/80X15.3-10 PLY 1003	7.5T-BTS BOGIE 11.5/80X	7.5T-BTS TAND. 11.5/80X
14/00	Lysanlæg	Traffic lights	Beleuchtung
646010	6,5T-BT-14.0/65X16-14 PLY 1001 1002 1003	6,5T-BT 14.0/65X16-14 P	6,5T-BT 14.0/65X16-14 P
646011	7,5T-BT BOGIE 12.5/80X15.3-12 PLY 1001 1002 1003	7,5T-BT BOGIE 12.5/80X1	7,5T-BT TANDEM 12.5/80X
646012	6,5T-BT INDREG.-14.0/65X16-14 STÅL 1001 1002	6,5T-BT W/BRAKES 14.0/6	6,5T-BT M/BREMSE 14.0/6
646013	7,5T-BT, INDREG.-12.5/80X15.3-12 ST 1001	7,5T-BT W/BRAKES 12.5/8	7,5T-BT M/BREMSE 12.5/8
646015	6.5T-BTS 14.0/65X16-14 PLY 1001 1002 1003	6.5T-BTS 14.0/65X16-14	6.5T-BTS 14.0/65X16-14
646016	7.5T-BTS BOGIE 11.5/80X15.3-10 PLY 1001 1002 1003	7.5T-BTS BOGIE 11.5/80X	7.5T-BTS TAND. 11.5/80X
15/00	Kornsider 60 cm (BT)	Grainsides 60 cm (BT)	Getreideseiten 60 cm (BT)

	Indholdsfortegnelse	Contents	Inhaltsverzeichnis
16/00	Kornsider 40 cm (BT)	Grainsides 40 cm (BT)	Getreideseiten 40 cm (BT)
17/00	Kornsider 60 cm (BTS)	Grainsides 60 cm (BTS)	Getreideseiten 60 cm (BTS)
18/00	Kornudstyr	Grain equipment	Getreideausrüstung
19/00	Hydr. baggavl (BT)	Hydr. tailgate (BT)	Hydr. Hinterklappe (BT)
20/00	Hævekonsol	Lifting bracket	Hebeträger
21/00	Hydraulik for hævekonsol	Hydr. f/lift. brack.	Hydr. f/Hebeträger
22/00	Cylinder for hævekonsol	Cyl. f/lift. brack.	Zyl. f/Hebeträger
23/00	Skråstillet bundslidske	Inclined bottom slide	Schraege Bodenrutsche

Brug altid
TIM
reservedele

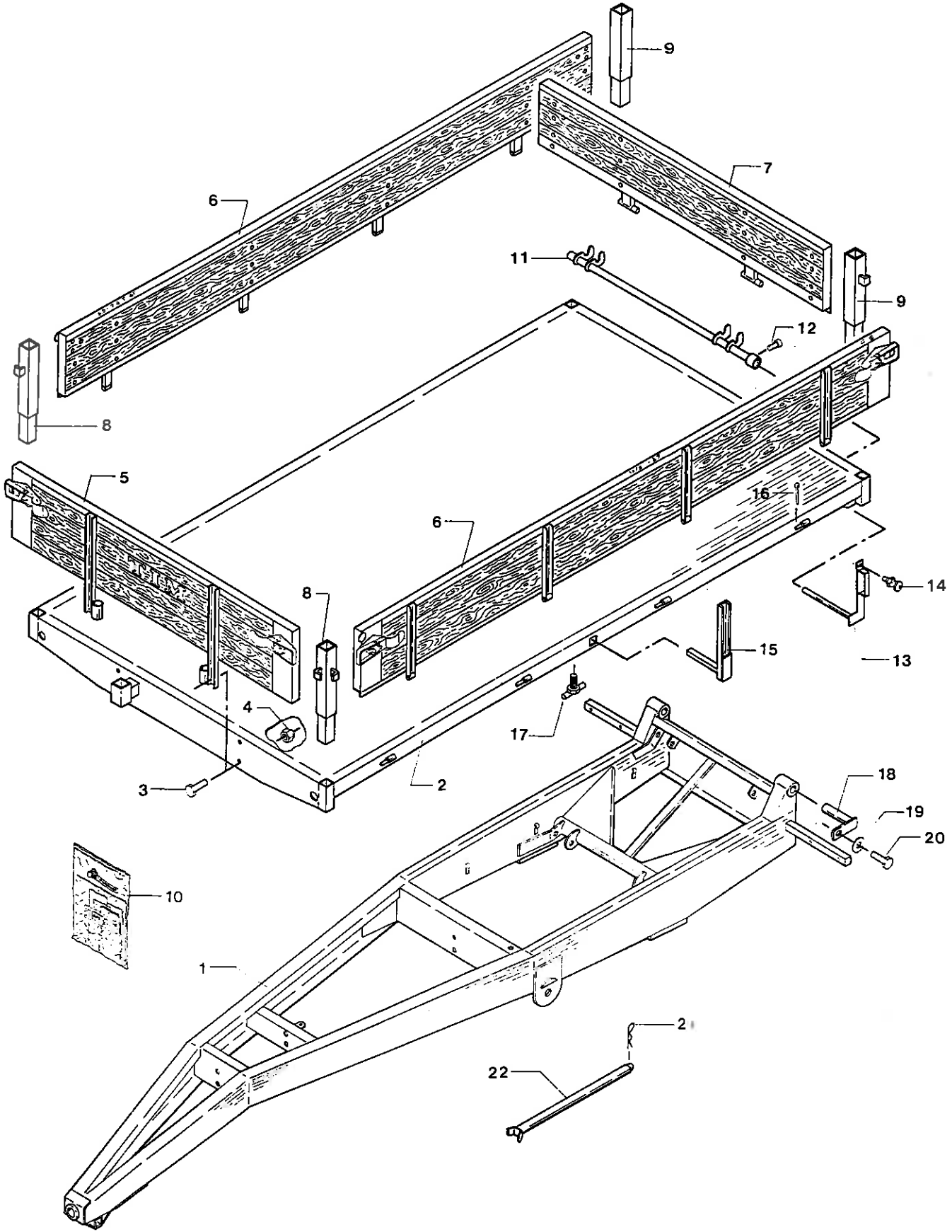
Always use
TIM
spare parts

Benutzen Sie immer
TIM
Ersatzteile

Använd alltid
TIM
reservdelar



6,5T-7,5T-BT

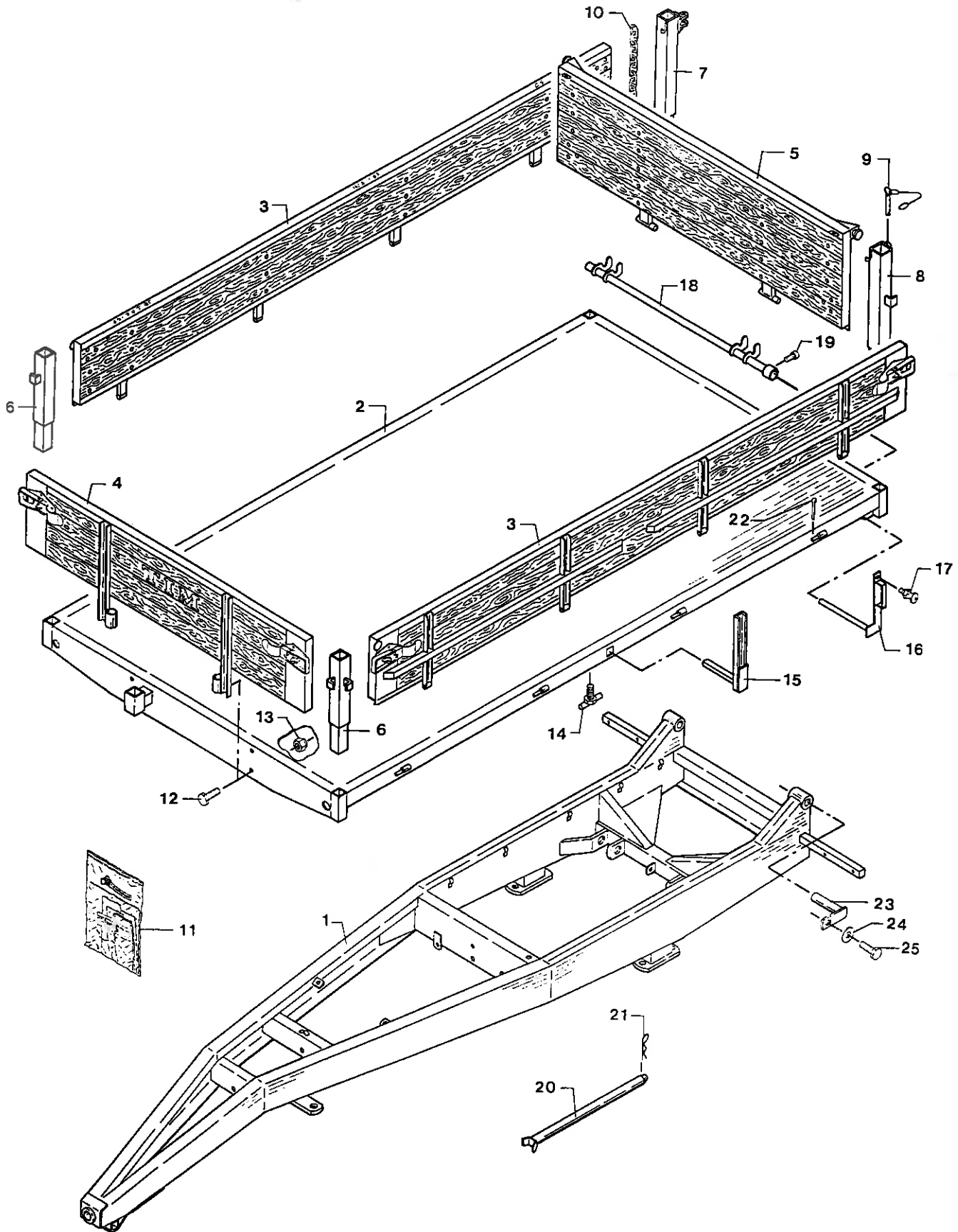


Chassis, ladramme alm.6,5-7,5B		Chassis, platform frame, st.	Rahmen, Plattf.-rahmen, Serie
646010	6,5T-BT-14.0/65X16-14 PLY 1001 1002 1003	6,5T-BT 14.0/65X16-14 P	6,5T-BT 14.0/65X16-14 P
646011	7,5T-BT BOGIE 12.5/80X15.3-12 PLY 1001 1002 1003	7,5T-BT BOGIE 12.5/80X1	7,5T-BT TANDEM 12.5/80X

1 646318	CHASSIS 6.5-7.5T BT/BTS	CHASSIS	CHASSIS
2 646424	LADRAMME 6.5-7.5T BT/BTS	PLATFORM FRAME	PLATTFORMRAHMEN
3 14089500	SÆTSKRUE GROV M12 X 20 MM	SET SCREW	SETZSCHRAUBE
4 14410700	MØTRIK M12	NUT	MUTTER
5 646134	FORGAVL KPL. 6.5/7.5T-BT	HEADBOARD CPL	FRONTWAND KPL
6 646208	SIDE KPL. 6.5/7.5T-BT	SIDE CPL	SEITE KPL
6 639501	BUNDSKINNE FOR VOGNSIDE 2X100X1947	BOTTOM RAIL/TRAIL. SIDE	BODENSCHIENE/WAGENSEITE
6 639504	BUNDSKINNE FOR VOGNSIDE 2X100X1947	BOTTOM RAIL/TRAIL. SIDE	BODENSCHIENE/WAGENSEITE
7 639807	BAGGAVL KPL. 6.6T-7.5T-LT	TAILBOARD CPL	HINTERWAND KPL
7 639506	BUNDSKINNE F.KORNBAGGAVL 2X100X2098	BOTTOM RAIL/GRAIN TAIL	BODENSCHIENE/GETR.HI.W.
8 671102	FORRESTE HJØRNESTOLPE	FRONT CORNER POST	VORD. ECKPFOSTEN
9 671104	BAGESTE HJØRNESTOLPE HØJRE+VENSTRE	REAR RH+LH CORNER POST	HINT. ECKPFOSTEN R.+ L.
10 500163	SET TRANSFER BT/SBT/HBT/VBT VOGNE	SET TRANSFERS	SATZ AUFKLEBER
11 647559	BAGESTE LUKKEBESLAG KPL.	REAR LOCK MOUNTING CPL	HI. SCHLOSSBESCHLAG KPL
12 14258000	UNBRACO MC 10 X 16 MM	UNBRACO SCREW	UNBRACOSCHRAUBE
13 672107	HÅNDTAG KPL. F. BAGLUKKE	HANDLE CPL F/REAR LOCK	HANDGRIFF KPL/HI.SCHLO.
14 613116	PAL F. HÅNDTAG	HANDLE PAWL	KLINKE F/HANDGRIFF
15 660008	OPSTANDER FOR VOGNSIDE NY MODEL	UPRIGHT F/SIDE - NEW	STAENDER F/SEITE - NEU
16 14528000	JERNSPILT Ø5 X 20 MM	SPLIT PIN	EISENSPLINT
17 645721	T-SKRUE M16 X 35 MM	T-SCREW	T-SCHRAUBE
18 646207	NAGLE F. TIP 6.5/7.5T-BT	TIP PIN	NAGEL F. KIPP
19 14440600	SVÆR SKIVE 17 X 30 X 3 MM	WASHER	SCHEIBE
20 14091900	SÆTSKRUE GROV M16 X 25 MM	SET SCREW	SETZSCHRAUBE
21 14535500	HÅRNÅLESPLIT Ø4 MM	CLEVIS PIN	SPLINT
22 640108	LADSTØTTE	PLATFORM SUPPORT	PLATTFORMSTUETZE



6,5T-7,5T-BT

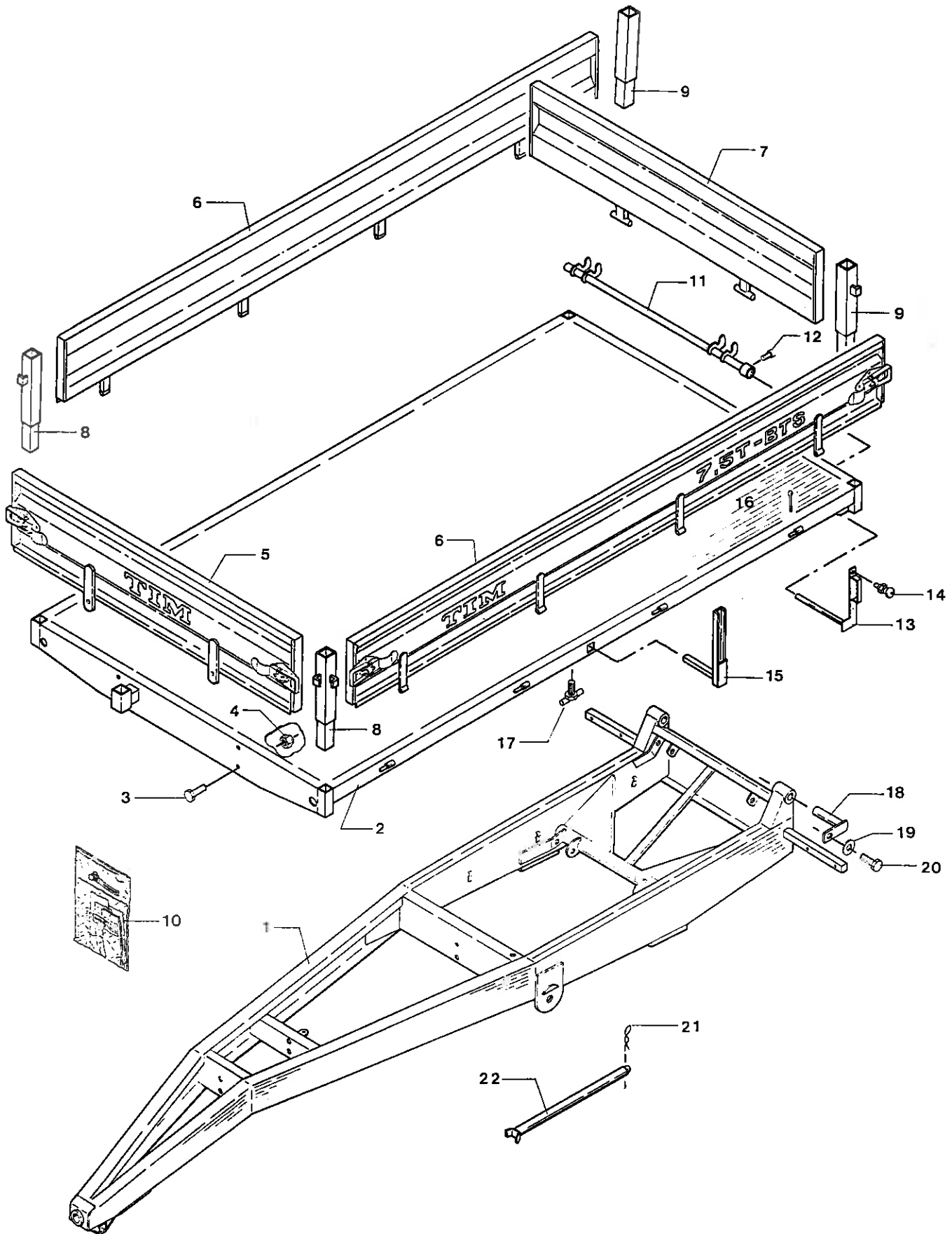


Chassis, ladramme indr.6.5-7.5	Frame, platform frame f. reg.	Rahmen, Plattf.-rahmen, f. Gen
646012	6,5T-BT INDREG.-14.0/65X16-14 STÅL 1001 1002	6,5T-BT W/BRAKES 14.0/6 6,5T-BT M/BREMSE 14.0/6
646013	7,5T-BT, INDREG.-12.5/80X15.3-12 ST 1001	7,5T-BT W/BRAKES 12.5/8 7,5T-BT M/BREMSE 12.5/8

	CHASSIS	CHASSIS	CHASSIS
1 646311	CHASSIS	CHASSIS	CHASSIS
2 646420	LADRAMME	PLATFORM FRAME	PLATTFORMRAHMEN
3 646209	SIDE KPL. F/6.5-7.5T-BT INDR.	SIDE CPL F/REG.	WAND KPL F/GEN.
3 639501	BUNDSKINNE FOR VOGNSIDE 2X100X1947	BOTTOM RAIL/TRAIL. SIDE	BODENSCHIENE/WAGENSEITE
3 639504	BUNDSKINNE FOR VOGNSIDE 2X100X1947	BOTTOM RAIL/TRAIL. SIDE	BODENSCHIENE/WAGENSEITE
4 646134	FORGAVL KPL. 6.5/7.5T-BT	HEADBOARD CPL	FRONTWAND KPL
5 639818	BAGSMÆK F/INDR.VOGEN 6.6-7.5T-IT	TAILGATE/REG. TRAILERS	HECKKLAPPE/GENEHM. WAG.
5 639506	BUNDSKINNE F.KORNBAGGAVL 2X100X2098	BOTTOM RAIL/GRAIN TAILB	BODENSCHIENE/GETR.HI.W.
6 671102	FORRESTE HJØRNESTOLPE	FRONT CORNER POST	VORD. ECKPFOSTEN
7 639819	HJØRNESTOLPE H.BAG.F/INDR.VOGEN 60CM	REAR RH CORNER POST/REG	HINT. ECKPFOSTEN R/G.W.
8 639820	HJØRNESTOLPE V.BAG.F/INDR.VOGEN 60CM	REAR LH CORNER POST/REG	HINT. ECKPFOSTEN L/G.W.
9 639408	ØJEBOLT M/WIRE KPL.	EYE BOLT W/WIRE CPL	AUGENBOLZEN M/DRAHT KPL
10 15321027	KRANKÆDE KORTL.6 X 2738 MM(148 LED)	CRANE CHAIN, SHORT LIN.	KRANKETTE, KURZGLIED
11 500163	SET TRANSFER BT/SBT/HBT/VBT VOGNE	SET TRANSFERS	SATZ AUFKLEBER
12 14089500	SÆTSKRUE GROV M12 X 20 MM	SET SCREW	SETZSCHRAUBE
13 14410700	MØTRIK M12	NUT	MUTTER
14 645721	T-SKRUE M16 X 35 MM	T-SCREW	T-SCHRAUBE
15 660008	OPSTANDER FOR VOGNSIDE NY MODEL	UPRIGHT F/SIDE - NEW	STAENDER F/SEITE - NEU
16 672107	HÅNDTAG KPL. F. BAGLUKKE	HANDLE CPL F/REAR LOCK	HANDGRIFF KPL/HI.SCHLO.
17 613116	PAL F. HÅNDTAG	HANDLE PAWL	KLINKE F/HANDGRIFF
18 647559	BAGESTE LUKKEBESLAG KPL.	REAR LOCK MOUNTING CPL	HI. SCHLOSSBESCHLAG KPL
19 14258000	UNBRACO MC 10 X 16 MM	UNBRACO SCREW	UNBRACOSCHRAUBE
20 640108	LADSTØTTE	PLATFORM SUPPORT	PLATTFORMSTUETZE
21 14535500	HÅRNÅLESPPLIT Ø4 MM	CLEVIS PIN	SPLINT
22 14528000	JERNSPLIT Ø5 X 20 MM	SPLIT PIN	EISENSPLINT
23 646207	NAGLE F. TIP 6.5/7.5T-BT	TIP PIN	NAGEL F. KIPP
24 14440600	SVÆR SKIVE 17 X 30 X 3 MM	WASHER	SCHEIBE
25 14091900	SÆTSKRUE GROV M16 X 25 MM	SET SCREW	SETZSCHRAUBE



6,5T - 7,5T - BTS

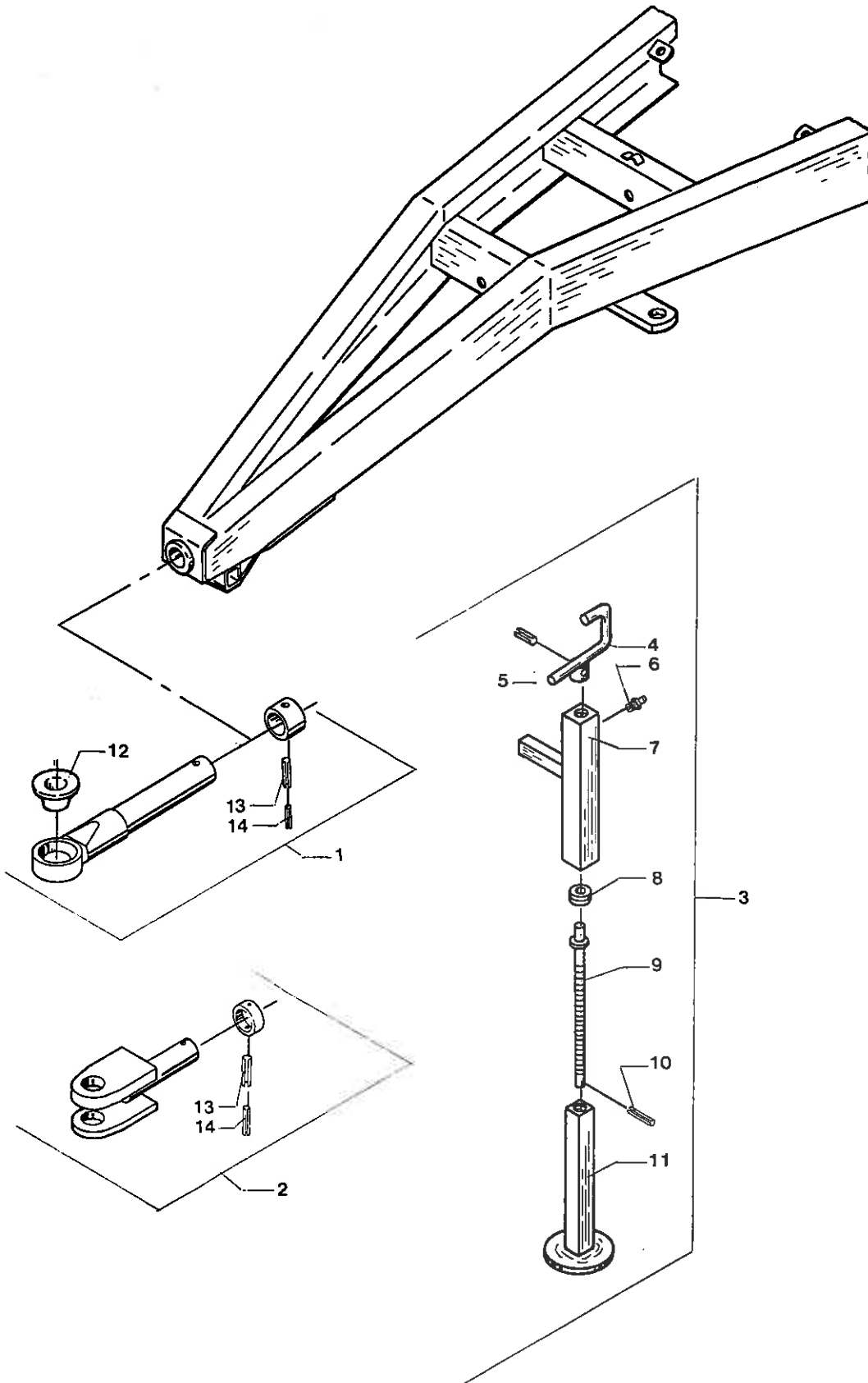


Chassis, ladramme 6.5-7.5T-BTS		Frame, platform f/6.5-7.5T-BTS	Rahmen, Plattf. f/6.5-7.5T-BTS
646015	6.5T-BTS 14.0/65X16-14 PLY 1001 1002 1003	6.5T-BTS 14.0/65X16-14	6.5T-BTS 14.0/65X16-14
646016	7.5T-BTS BOGIE 11.5/80X15.3-10 PLY 1001 1002 1003	7.5T-BTS BOGIE 11.5/80X	7.5T-BTS TAND. 11.5/80X

1 646318	CHASSIS 6.5-7.5T BT/BTS	CHASSIS	CHASSIS
2 646424	LADRAMME 6.5-7.5T BT/BTS	PLATFORM FRAME	PLATTFORMRAHMEN
3 14089500	SETSKRUE GROV M12 X 20 MM	SET SCREW	SETZSCHRAUBE
4 14410700	MØTRIK M12	NUT	MUTTER
5 646024	FORGAVL 6.5T - 7.5T-BTS	HEADBOARD	VORDERWAND
6 646023	VOGNSIDE 6.5T - 7.5T-BTS	SIDE	SEITE
7 646025	BAGGAVL 6.5T - 7.5T-BTS	TAILBOARD	HINTERWAND
8 671102	FORRESTE HJØRNESTOLPE	FRONT CORNER POST	VORD. ECKPFOSTEN
9 671104	BAGESTE HJØRNESTOLPE HØJRE+VENSTRE	REAR RH+LH CORNER POST	HINT. ECKPFOSTEN R.+ L.
10 500163	SET TRANSFER BT/SBT/HBT/VBT VOGNE	SET TRANSFERS	SATZ AUFKLEBER
11 647559	BAGESTE LUKKEBESLAG KPL.	REAR LOCK MOUNTING CPL	HI. SCHLOSSBESCHLAG KPL
12 14258000	UNBRACO MC 10 X 16 MM	UNBRACO SCREW	UNBRACOSCHRAUBE
13 672107	HÅNDTAG KPL. F. BAGLUKKE	HANDLE CPL F/REAR LOCK	HANDGRIFF KPL/HI.SCHLO.
14 613116	PAL F. HÅNDTAG	HANDLE PAWL	KLINKE F/HANDGRIFF
15 660008	OPSTANDER FOR VOGNSIDE NY MODEL	UPRIGHT F/SIDE - NEW	STAENDER F/SEITE - NEU
16 14528000	JERNSPLIT Ø5 X 20 MM	SPLIT PIN	EISENSPLINT
17 645721	T-SKRUE M16 X 35 MM	T-SCREW	T-SCHRAUBE
18 646207	NAGLE F. TIP 6.5/7.5T-BT	TIP PIN	NAGEL F. KIPP
19 14440600	SVÆR SKIVE 17 X 30 X 3 MM	WASHER	SCHEIBE
20 14091900	SETSKRUE GROV M16 X 25 MM	SET SCREW	SETZSCHRAUBE
21 14535500	HÅRNÅLESPLIT Ø4 MM	CLEVIS PIN	SPLINT
22 640108	LADSTØTTE	PLATFORM SUPPORT	PLATTFORMSTUETZE



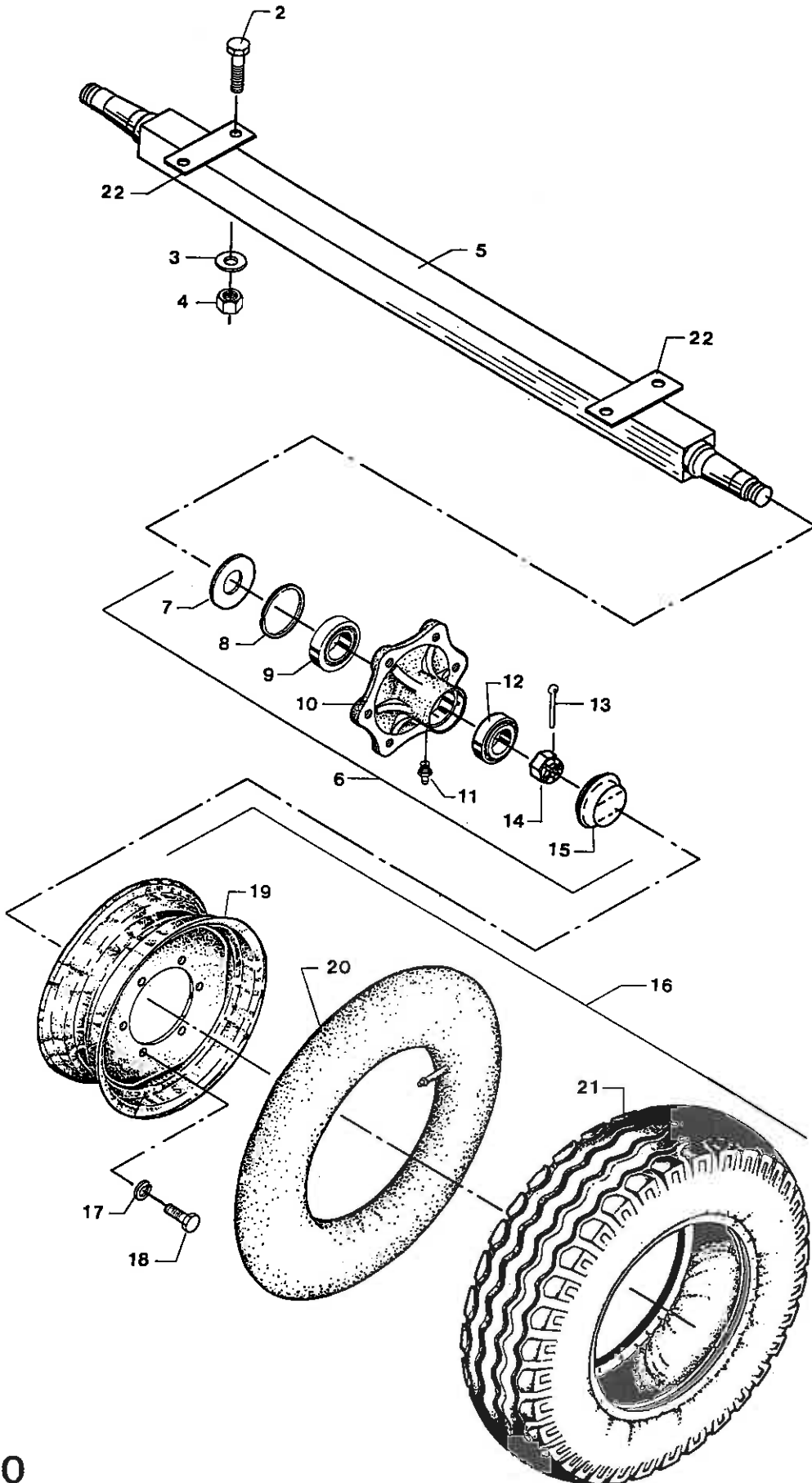
6,5T-7,5T-BT/BTS



Støttefod + trak	Jack + drawbar	Stützfuß + Zug
646010	6,5T-BT-14.0/65X16-14 PLY 1001 1002 1003	6,5T-BT 14.0/65X16-14 P 6,5T-BT 14.0/65X16-14 P
646011	7,5T-BT BOGIE 12.5/80X15.3-12 PLY 1001 1002 1003	7,5T-BT BOGIE 12.5/80X1 7,5T-BT TANDEM 12.5/80X
646012	6,5T-BT INDREG.-14.0/65X16-14 STÅL 1001 1002	6,5T-BT W/BRAKES 14.0/6 6,5T-BT M/BREMSE 14.0/6
646013	7,5T-BT, INDREG.-12.5/80X15.3-12 ST 1001	7,5T-BT W/BRAKES 12.5/8 7,5T-BT M/BREMSE 12.5/8
646015	6.5T-BTS 14.0/65X16-14 PLY 1001 1002 1003	6.5T-BTS 14.0/65X16-14 6.5T-BTS 14.0/65X16-14
646016	7.5T-BTS BOGIE 11.5/80X15.3-10 PLY 1001 1002 1003	7.5T-BTS BOGIE 11.5/80X 7.5T-BTS TAND. 11.5/80X
1 740614	PRODSØJESÆT Ø55/Ø33 - Ø54 X 165 MM	HITCH RINGSET ZUGOSESÆT
2 630106	GAFFELTRÆK KPL. M/STOPRING	CLEVIS DRAW. CPL W/RING ZUGMAUL KPL M/STOPRING
3 471235	STØTTEFOD KPL.	JACK CPL STÜTZFUSS KPL
4 380103	SVING FOR STØTTEHJUL	CRANK F/SUPPORT WHEEL KURBEL F/STUETZRAD
5 14574400	RØRSPENDESTIFT Ø8 X 40 MM	DOWEL ROHRSPANNSTIFT
6 13841000	SMØRENIPPEL LIGE MF8 X 1 MM	GREASE NIPPLE STRAIGHT SCHMIERNIPPEL GERADE
7 471234	OVERDEL TIL STØTTEBEN	SUPPORT LEG TOP PART STUETZBEIN ÜBERTEIL
8 15150400	AKSIALLEJE ENKELTV. 51105	AXIAL BEARING AXIALLAGER
9 380104	SPINDEL FOR STØTTEHJUL	SCREW F/SUPPORT WHEEL SPINDEL F/STUETZRAD
10 14563900	RØRSPENDESTIFT Ø5 X 30 MM	DOWEL ROHRSPANNSTIFT
11 380111	UNDERDEL TIL STØTTEFOD	LOW PART F/JACK STUETZFUSSUNTERTEIL
12 670361	PRODSØJE INDLEG Ø80/Ø33 X 40 MM	HITCH RING INSERT ZUGOESE EINSATZ
13 14581000	RØRSPENDESTIFT Ø12 X 70 MM	DOWEL ROHRSPANNSTIFT
14 14572100	RØRSPENDESTIFT Ø7 X 70 MM	DOWEL ROHRSPANNSTIFT



6,5T-BT/BTS

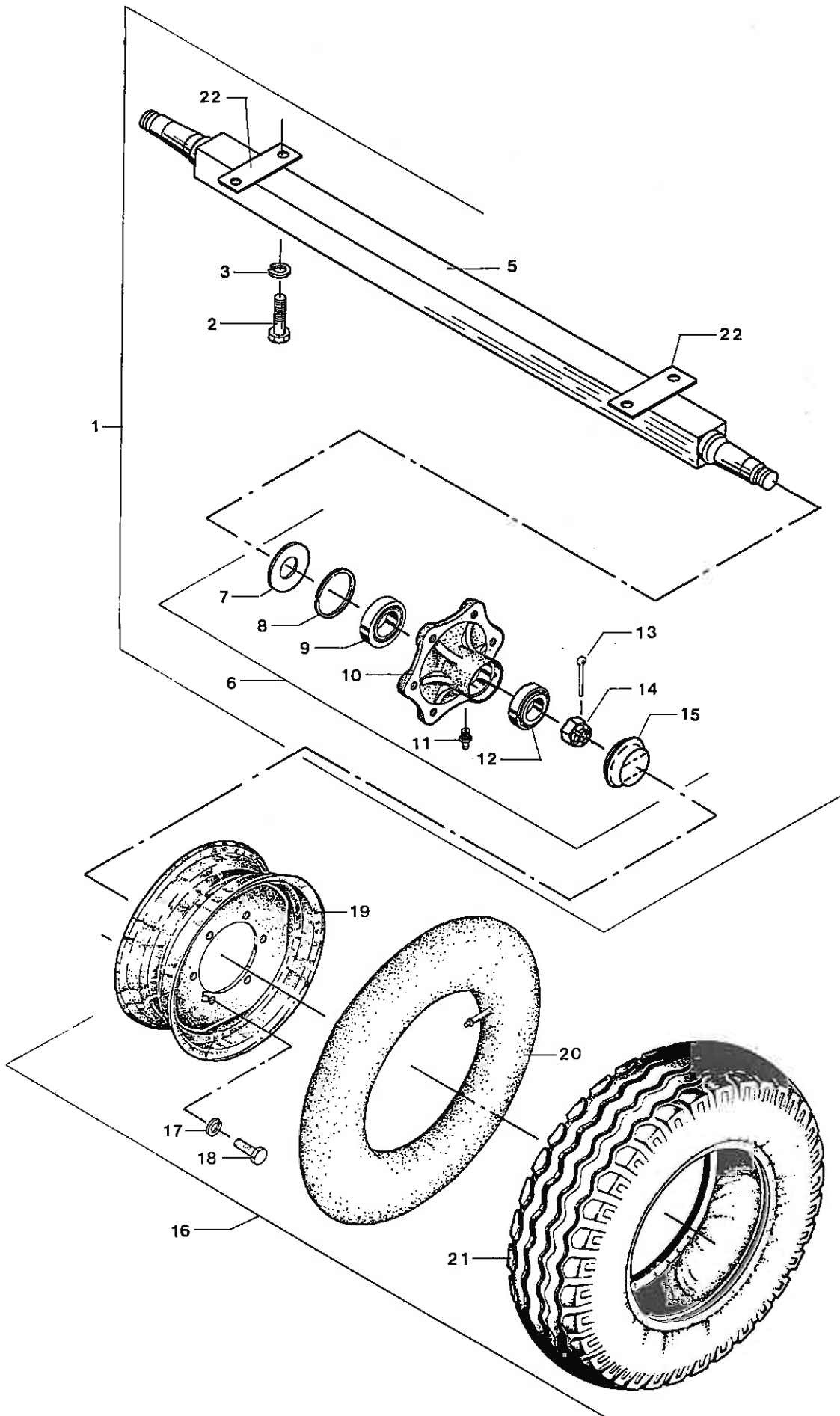


Enkelt aksel f/6.5T (HDL57)	Single axle (HDL57)	Einzelachse (HDL57)
646010	6,5T-BT-14.0/65X16-14 PLY 1001	6,5T-BT 14.0/65X16-14 P
646015	6.5T-BTS 14.0/65X16-14 PLY 1001	6.5T-BTS 14.0/65X16-14

2 14094600	SETSKRUE GROV M20 X 50 MM	SET SCREW	SETZSCHRAUBE
3 14463110	CENTERFJEDERSKIVE M20	SPRING WASHER	FEDERSCHEIBE
4 14411400	MØTRIK M20	NUT	MUTTER
5 15076600	AKSEL F. 150-61316 FIRK.70X1794 MM	AXLE	ACHSE
6 15044001	NAVHUS KPL. F. 150-44000 B=6	HUB HOUSING CPL	NABENGEHAEUSE KPL
7 13370600	TÆTNINGSPLADE HDL Ø67/98 KONISK	SEAL RING CONICAL	DICHTPLATTE KONISCH
8 13338700	SIMMERRING 70 X 100 X 10 MM	OIL SEAL	OELFANGRING
9 15190300	RULLELEJE KONISK TIMKEN 387A/382	CONE ROLLER BEARING	KEGELROLLENLAGER
10 15044000	NAVHUS HDL57 B=6	HUB HOUSING	NABENGEHAEUSE
11 13810800	DRIVNIPPEL 6 MM	GREASE NIPPLE	TRIEBNIPPEL
12 15194000	R-LEJE KON.TIMKEN 102949/910 Ø45IND	CONE ROLLER BEARING	KEGELROLLENLAGER
13 14529400	JERNSPPLIT Ø6.3 X 65 MM	SPLIT PIN	EISENSPLINT
14 14439650	KRONEMØTRIK FING. MF36 X 1.5 MM	CASTELLATED NUT	KRONEMUTTER
15 15048800	NAVKAPSEL HDL 57+65 NAGBØL Ø77MM UG	HUB CAP WO/THREAD	NABENKAPSEL O/GEWINDE
16 500017	HJUL KPL. 14.0/65X16-14 PLY *	WHEEL CPL 14.0/65X16-14	RAD KPL. 14.0/65X16-14
17 14464900	KONISK FJEDERSKIVE C18.5	CONICAL SPRING WASHER	FEDERSCHEIBE KONISCH
18 15021100	NAVOLT M/FLANGE M18 X 2.5 X 47.5MM	HUB BOLT W/FLANGE	NABBOLZEN M/FLANSCH
19 15033600	HJULFÆLG 11 X 16" E=0 6/161/205	WHEEL RIM	RADFÆLGE
20 15017500	SLANGE 14.0 X 16"	TUBE	SCHLAUCH
21 15012800	DÆK 14.0/65 X 16" - 14 PLY	TYRE	REIPEN
22 660219	PLADE FOR AKSEL 80 X 12 X 230 MM	PLATE F. SHAFT	PLATTE F. WELLE



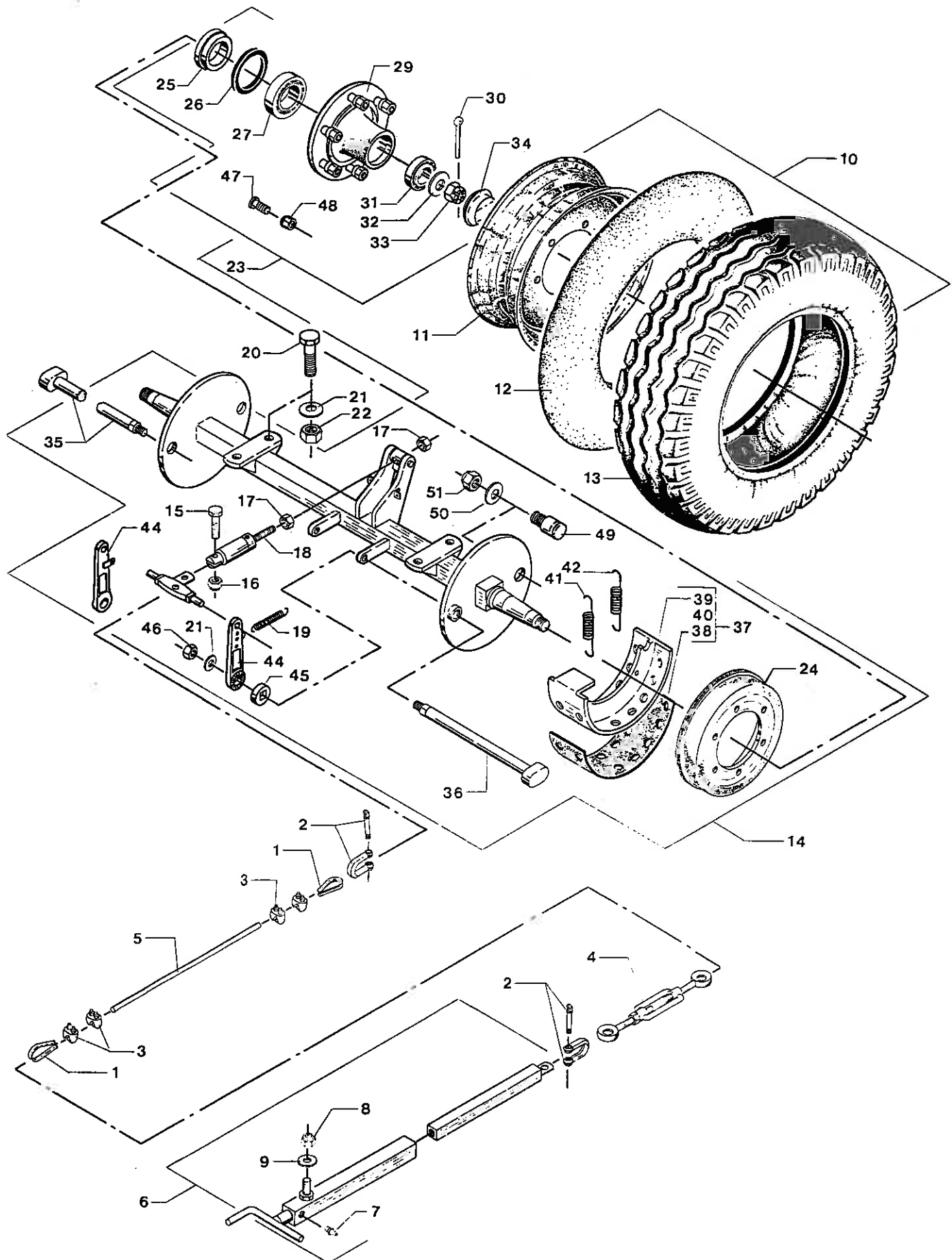
6,5T - BT/BTS



Enkelt aksel f/6.5T (L55-6)	Single axle (L55-6)	Einzelachse (L55-6)	
646010	6,5T-BT-14.0/65X16-14 PLY 1002 1003	6,5T-BT 14.0/65X16-14 P 6,5T-BT 14.0/65X16-14 P	
646015	6.5T-BTS 14.0/65X16-14 PLY 1002 1003	6.5T-BTS 14.0/65X16-14 6.5T-BTS 14.0/65X16-14	
1 638704	LØBEAKSEL KPL. 6.6T-LT	RUNNING AXLE CPL	LAUFACHSE KPL
2 14094400	SETSKRUE GROV M20 X 40 MM	SET SCREW	SETZSCHRAUBE
3 14463110	CENTERFJEDERSKIVE M20	SPRING WASHER	FEDERSCHEIBE
5 15076601	AKSEL F. 150-61416 FIRK.70X1794 MM	AXLE	ACHSE
6 15044041	NAVHUS KPL. L55 B=6	HUB HOUSING CPL	NABENGEHÄUSE KPL
7 13370600	TÆTNINGSPLADE HDL Ø67/98 KONISK	SEAL RING CONICAL	DICHTPLATTE KONISCH
8 13338700	SIMMERRING 70 X 100 X 10 MM	OIL SEAL	OELFANGRING
9 15143800	RULLELEJE KONISK 30211	CONE ROLLER BEARING	KEGELROLLENLAGER
10 15044040	NAVHUS L55 B=6	HUB HOUSING	NABENGEHÄUSE
11 13810800	DRIVNIPPEL 6 MM	GREASE NIPPLE	TRIEBNIPPEL
12 15194000	R-LEJE KON.TIMKEN 102949/910 Ø45IND	CONE ROLLER BEARING	KEGELROLLENLAGER
13 14529400	JERNSPLIT Ø6.3 X 65 MM	SPLIT PIN	EISENSPLINT
14 14439650	KRONEMØTRIK FING. MF36 X 1.5 MM	CASTELLATED NUT	KRONEMUTTER
15 15048600	NAVKAPSEL NAGBØL Ø77.5 MM U/GEVIND	HUB CAP WO/THREAD	NABENKAPSEL O/GEWINDE
16 500017	HJUL KPL. 14.0/65X16-14 PLY *	WHEEL CPL 14.0/65X16-14	RAD KPL. 14.0/65X16-14
17 14464900	KONISK FJEDERSKIVE C18.5	CONICAL SPRING WASHER	FEDERSCHREIBE KONISCH
18 15021100	NAVOLT M/FLANGE M18 X 2.5 X 47.5MM	HUB BOLT W/FLANGE	NABBOLZEN M/FLANSCH
19 15033600	HJULFÆLG 11 X 16" E=0 6/161/205	WHEEL RIM	RADFÆLGE
20 15017500	SLANGE 14.0 X 16"	TUBE	SCHLAUCH
21 15012800	DEK 14.0/65 X 16" - 14 PLY	TYRE	REIFEN
22 660219	PLADE FOR AKSEL 80 X 12 X 230 MM	PLATE F. SHAFT	PLATTE F. WELLE



6,5T - BT



Enkelt aksel m/bremse (Peitz)

Single axle with brake

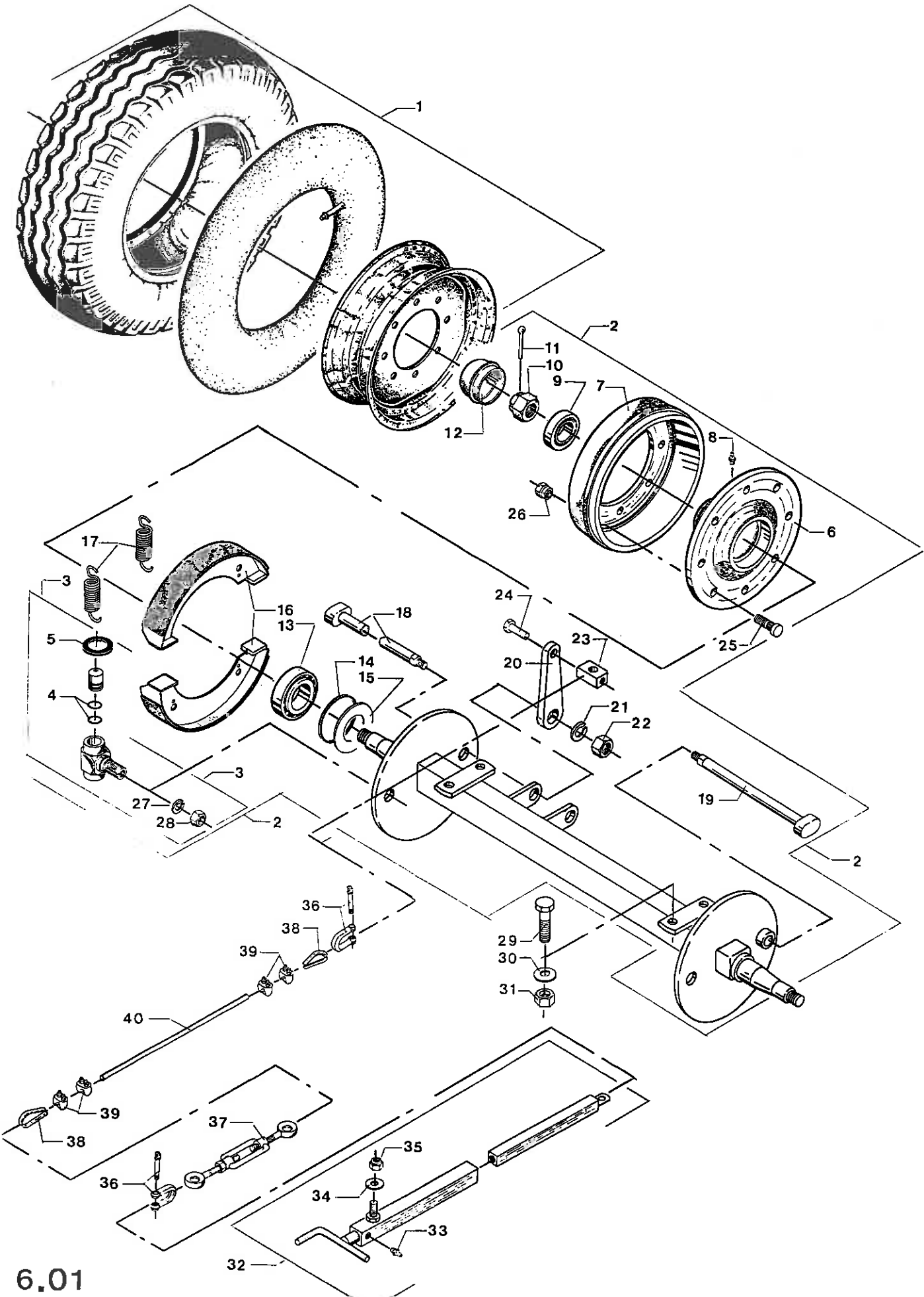
Einzelachse mit Bremse

646012 6,5T-BT INDREG.-14.0/65X16-14 STÅL 6,5T-BT W/BRAKES 14.0/6 6,5T-BT M/BREMSE 14.0/6
 1001

1 14837800	KOVS 1 1/2" = 6 MM	THIMBLE	KAUSCHE
2 14842400	SJÆKEL GALV. 3/8" MED MØTRIK	SHACKLE W/NUT	SCHÆKEL M/MUTTER
3 14847000	WIRELÅS FZB 1/4"	WIRE LOCK	DRAHTSEILSCHLOSS
4 14856100	HARDUNSTRAMMER FZB 1/2" 2 ØJER	WIRE STRAINER W/2 EYES	SPANNSCHLOSS M/2 AUGEN
5 15330900	WIRE FZB 6 MM 7 X 19 + 7FC	WIRE	STAHLDRAHT
6 671113	HÅNDBREMSE F. INDR. VOGNE	HAND BRAKE F/REG. TR.	HANDBREMSE F/GEN. WAGEN
7 13841000	SMØRENIPPEL LIGE MF8 X 1 MM	GREASE NIPPLE STRAIGHT	SCHMIERNIPPEL GERADE
8 14431400	LÅSEMØTRIK M20	LOCK NUT	GEGENMUTTER
9 14440800	SVER SKIVE 21 X 37 X 3 MM	WASHER	SCHETBE
10 500039	HJUL KPL. 14.00/65X16-14 PLY STÅL.	WHEEL CPL. 14.0/65X16-1	RAD KPL. 14.0/65X16-14
11 15033700	HJULFÆLG M. RUNDJERNFORST. 11 X 16	WHEEL RIM W/REINFORCEM.	RADFÆLGE M/VERSTAERKUNG
12 15017500	SLANGE 14.0 X 16"	TUBE	SCHLAUCH
13 15014214	DEK 14.0/65X16"-14 PLY POLY/STÅL	TYRE	REIFEN
14 639833	SE 639-852 + 2 STK. 150-34308	SEE 639-852+2X150-34308	SIEHE 639852+2X15034308
15 14044200	MASKINBOLT GROV M10 X 50 MM	BOLT	BOLZEN
16 14430500	LÅSEMØTRIK M10	LOCK NUT	GEGENMUTTER
17 14411110	MØTRIK M16	NUT	MUTTER
18 350301	BREMSECYLINDER E45 SLAGLÆNGDE=65 MM	BRAKE RAM	BREMSZYLINDER
19 14784100	TREKFJEDER 1 ØJE 2 ENDER Ø4.5 X Ø25	TENSION SPRING	ZIEHFEDER
20 14094600	SÆTSKRUE GROV M20 X 50 MM	SET SCREW	SETZSCHRAUBE
21 14463110	CENTERFJEDERSKIVE M20	SPRING WASHER	FEDERSCHETBE
22 14411400	MØTRIK M20	NUT	MUTTER
23 15044902	NAVHUS KPL. GST-KM6006 F/57 MM BOLT	HUB HOUSING CPL	NABENGEHÆUSE KPL
24 15073300	BREMSETRØMME PEITZ 350 X 60 MM	BRAKE DRUM	BREMSTRØMME
25 15087800	STØDRING INCL. FRONTRING	SUPPORT RING	STUETZRING
26 13369200	LABYRINTTÆTNING PEITZ	LABYRINTH SEAL	LABYRINTEDICHTUNG
27 15144100	RULLELEJE KONISK 30213	CONE ROLLER BEARING	KEGELROLLENLAGER
28 13810800	DRIVNIPPEL 6 MM	GREASE NIPPLE	TRIEBNIPPEL
29 15044900	NAVHUS GST-KM6006 6/160/205	HUB HOUSING	NABENGEHÆUSE
30 14529400	JERNPLIT Ø6.3 X 65 MM	SPLIT PIN	EISENSPLINT
31 15143600	RULLELEJE KONISK 30210	CONE ROLLER BEARING	KEGELROLLENLAGER
32 14483910	SKIVE Ø65/Ø36 X 5.5 MM	WASHER	SCHETBE
33 14439610	KRONEMØTRIK FING. MF36 X 1.5 MM	CASTELLATED NUT	KRONEMUTTER
34 15049600	NAVKAPSEL PEITZ Ø90 MM U/GEVIND	HUB CAP WO/THREAD	NABENKAPSEL O/GEVINDE
35 15027000	BREMSENØGLEAKSEL H L=895 MM	BRAKE TOGGLE SHAFT RH	BREMSSCHLUESSELWELLE R.
36 15027100	BREMSENØGLEAKSEL L=565 MM	BRAKE TOGGLE SHAFT	BREMSSCHLUESSELWELLE
37 15004200	SET BREMSEBAKKE M/BELEG. 350 X 60MM	BRAKE BLOCK SET W/LIN.	BREMSBACKSATZ M/BELAG
38 15029200	BREMSEBELEG. PEITZ 350 X 60 X 5 MM	BRAKE LINING	BREMSBELAG
39 15028800	BREMSEBAKKE PEITZ 350 X 60 MM	BRAKE CHECK	BREMSBACKE
40 14518500	KØBBERNITTE B6 X 10 MM	COPPER RIVET	KUPFERNIET
41 14789800	TREKFJEDER PEITZ	TENSION SPRING	ZIEHFEDER
42 14789600	TREKFJEDER	TENSION SPRING	ZIEHFEDER
44 15026000	BREMSEARM PEITZ	BRAKE LEVER	BREMSEHEBEL
45 14489600	TANDSKIVE	SPROCKET	ZAHNSCHETBE
46 14413310	MØTRIK MF20 X 1 MM	NUT	MUTTER
47 15022100	NAVOLT REB MF18 X 1.5 X 57 MM	HUB BOLT	NABBOLZEN
48 15024600	NAVØTRIK A18 X 1.5 MM	HUB NUT	NABMUTTER
49 15007902	BREMSEBAKKEBOLT	BRAKE CHECK BOLT	BREMSBACKBOLZEN
50 14450100	LET SKIVE 1/4"	WASHER	SCHETBE
51 14433605	LÅSEMØTRIK M/NYLON MF16 X 1.5 MM	LOCK NUT W/NYLON	GEGENMUTTER M/NYLON



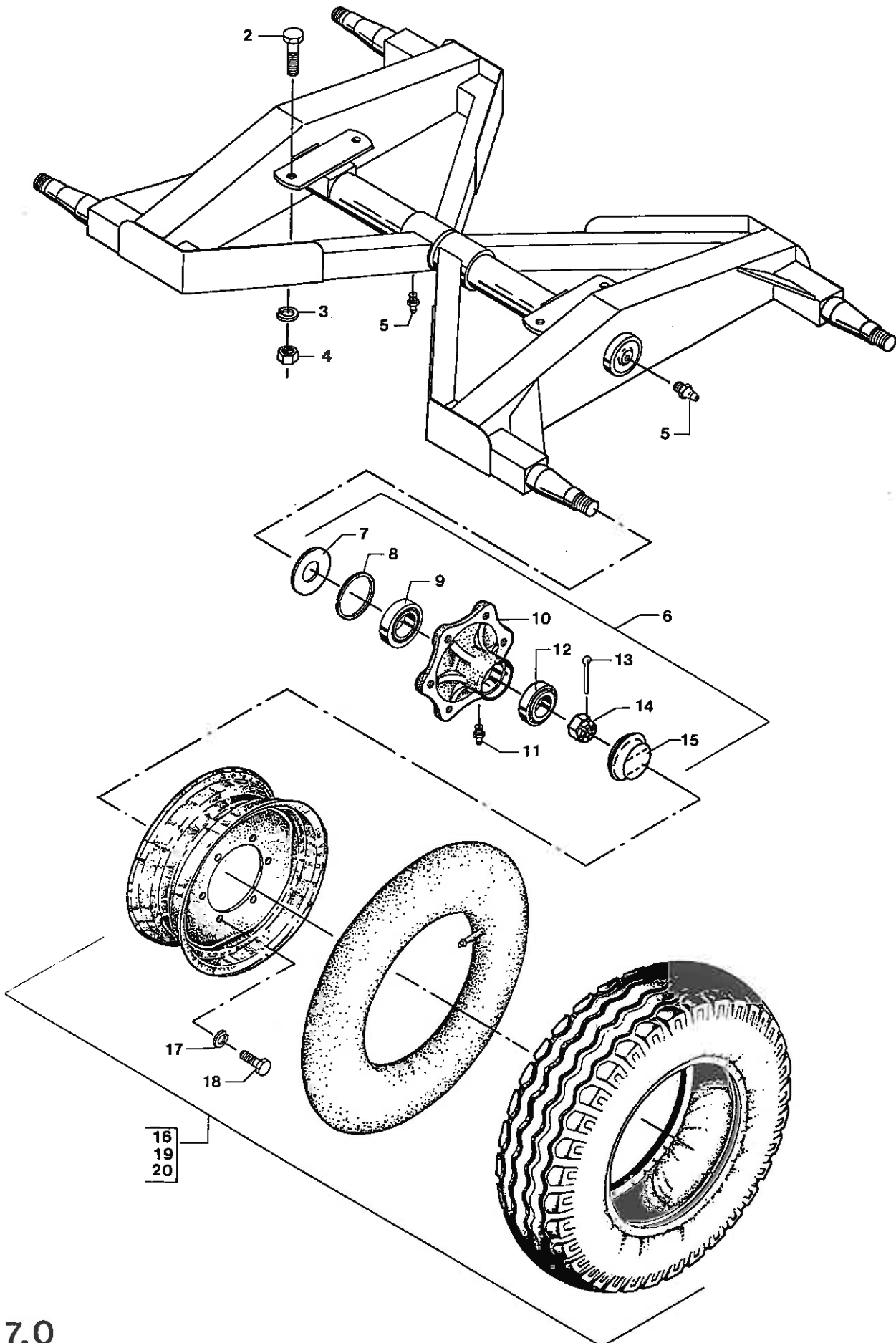
6,5T - BT



Enkel aksel m/bremse (Nagbøl)	Single axle w/brake	Einzelachse mit Bremse
646012	6,5T-BT INDREG.-14.0/65X16-14 STÅL 1002	6,5T-BT W/BRAKES 14.0/6 6,5T-BT M/BREMSE 14.0/6
1 500051	HJUL KPL. 15.0/70 X 18-14 PLY STÅL*	WHEEL 15.0/70X18-14PLY, RAD 15.0/70X18-14PLY, 8
1 15014312	DEK 15.0/70X18"-14 PLY POLY/STÅL	TYRE REIFEN
1 15018100	SLANGE 15.0 X 18"	TUBE SCHLAUCH
1 15034308	HJULFÆLG 13 X 18" E=0 8/221/275	WHEEL RIM RADFÆLGE
2 639852	AKSEL M/INDB. OLIEBREMSE - 8 HULS	SHAFT W/OIL BRAKE 8-HO. WELLE M/OELBREMSE 8-LO.
3 15095905	BREMSECYLINDER Ø35	BRAKE CYLINDER BREMSZYLINDER
4 13313900	O-RING Ø29.2 X 3 MM	O-RING O-RING
5 15095999	MANCHET FOR BREMSECYLINDER	DUST COVER F/BR.CYLIND. MANSCHETTE F/BREMSZYL.
6 15040100	BREMSENAVEUS HDB65 B=8	BRAKE SPIDER HOUSING BREMSNAEGEHAUSE
7 15075000	BREMSETRØMME 350 X 60 MM	BRAKE DRUM BREMSTROMMEL
8 13810800	DRIVNIPPEL 6 MM	GREASE NIPPLE TRIEBNIPPEL
9 15143600	RULLELEJE KONISK 30210	CONE ROLLER BEARING KEGELROLLENLAGER
10 14439810	KRONEMØTRIK MF45 X 3.0 MM	CASTELLATED NUT KRONEMUTTER
11 14529400	JERNSPILT Ø6.3 X 65 MM	SPLIT PIN EISENSPLINT
12 15048900	NAVKAPSEL HDL 65 NAGBØL M93X2MM M/G	HUB CAP W/THREAD NABENKAPSEL M/GEWINDE
13 15144100	RULLELEJE KONISK 30213	CONE ROLLER BEARING KEGELROLLENLAGER
14 13339101	SIMMERRING 75 X 120 X 12 MM	OIL SEAL OELFANGRING
15 13373300	TÆTNINGSPLADE 65/120	SEAL RING DICHTPLATTE
16 15004300	SET BREMSEBAKKE M/BELÆG. 350 X 60MM	BRAKE BLOCK SET W/LIN. BREMSBACKSATZ M/BELAG
17 15095902	BREMSEFJEDER	BRAKE SPRING BREMSFEDER
18 15026893	BREMSEØGLEAKSEL H L=936 MM	BRAKE TOGGLE SHAFT RH BREMSSCHLUESSELWELLE R.
19 15026960	BREMSEØGLEAKSEL V L=606 MM	BRAKE TOGGLE SHAFT BREMSSCHLUESSELWELLE L.
20 15095904	BREMSEARM	BRAKE LEVER BREMSHEBEL
21 15085301	SKIVE Ø21/Ø35 X 8 MM	WASHER SCHEIBE
22 14413310	MØTRIK MF20 X 1 MM	NUT MUTTER
23 15085400	BREMSEUDLIGNER 30 X 150 MM	BRAKE COMPENSATOR BREMSAUSGLEICHER
24 14089900	SETS KRUE GROV M12 X 40 MM	SET SCREW SETZSCHRAUBE
25 15022700	NAVBOLT MF20 X 1.5 X 72 MM	HUB BOLT NABBOLZEN
26 15024400	NAV MØTRIK A20 X 1.5 MM	HUB NUT NABMUTTER
27 14457000	SIKRINGSSKIVE 31.0 MM INDV.	LOCK WASHER FEDERENDE UNTERL.SCHEIBE
28 14439010	KRONEMØTRIK MF30 X 1.5 MM	CASTELLATED NUT KRONEMUTTER
29 14094600	SETS KRUE GROV M20 X 50 MM	SET SCREW SETZSCHRAUBE
30 14463110	CENTERFJEDERSKIVE M20	SPRING WASHER FEDERSCHEIBE
31 14411400	MØTRIK M20	NUT MUTTER
32 671113	HÅNDBREMSE F. INDR. VOGNE	HAND BRAKE F/REG. TR. HANDBREMSE F/GEN. WAGEN
33 13841000	SMØRENIPPEL LIGE MF8 X 1 MM	GREASE NIPPLE STRAIGHT SCHMIERNIPPEL GERADE
34 14440800	SVÆR SKIVE 21 X 37 X 3 MM	WASHER SCHEIBE
35 14431400	LÅSEMØTRIK M20	LOCK NUT GEGENMUTTER
36 14842400	SJÆKEL GALV. 3/8" MED MØTRIK	SHACKLE W/NUT SCHAÆKEL M/MUTTER
37 14856100	BARDUNSTRAMMER FZB 1/2" 2 ØJER	WIRE STRAINER W/2 EYES SPANNSCHLOSS M/2 AUGEN
38 14837800	KOV 1 1/2" = 6 MM	THIMBLE KAUSCHE
39 14847000	WIRELÅS FZB 1/4"	WIRE LOCK DRAHTSEILSCHLOSS
40 15330900	WIRE FZB 6 MM 7 X 19 + 7FC	WIRE STAHLDRAHT



7,5T-BT/BTS

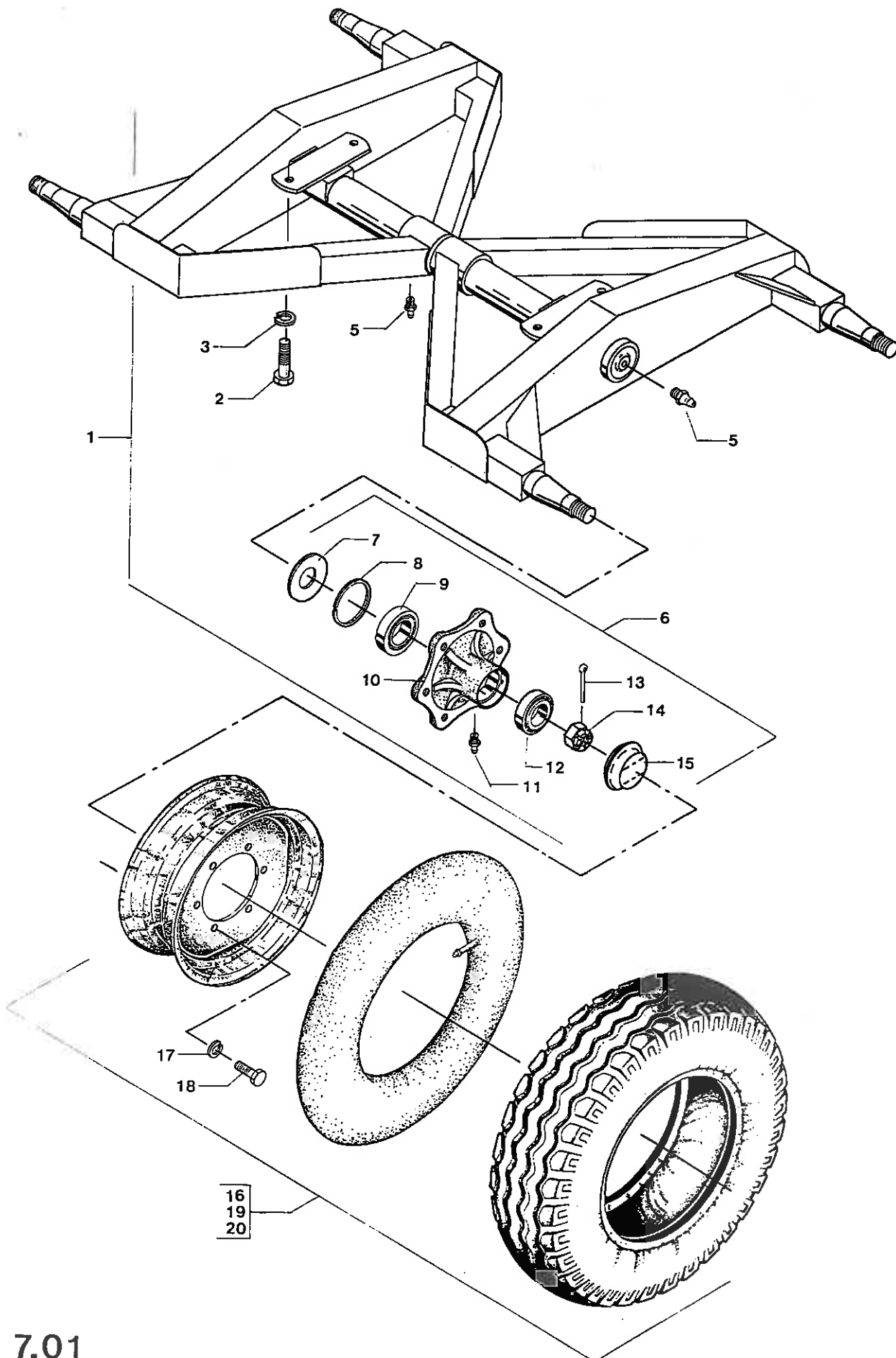


Bogie 7.5T - BT/BTS (HDL57)	Bogie 7.5T - BT/BTS (HDL57)	Tandem 7.5T - BT/BTS (HDL57)
646011	7,5T-BT BOGIE 12.5/80X15.3-12 PLY 1001	7,5T-BT BOGIE 12.5/80X1 7,5T-BT TANDEM 12.5/80X 1001
646016	7.5T-BTS BOGIE 11.5/80X15.3-10 PLY 1001	7.5T-BTS BOGIE 11.5/80X 7.5T-BTS TAND. 11.5/80X 1001

2 14094600	SETS KRUE GROV M20 X 50 MM	SET SCREW	SETZSCHRAUBE
3 14463110	CENTERFJEDERSKIVE M20	SPRING WASHER	FEDERSCHEIBE
4 14411400	MØTRIK M20	NUT	MUTTER
5 13841000	SMØRENIPPEL LIGE MF8 X 1 MM	GREASE NIPPLE STRAIGHT	SCHMIERNIPPEL GERADE
6 15044001	NAVHUS KPL. F. 150-44000 B=6	HUB HOUSING CPL	NABENGEHÄUSE KPL
7 13370600	TÆTNINGSPLADE HDL Ø67/98 KONISK	SEAL RING CONICAL	DICHTPLATTE KONISCH
8 13338700	SIMMERRING 70 X 100 X 10 MM	OIL SEAL	OELFANGRING
9 15190300	RULLELEJE KONISK TIMKEN 387A/382	CONE ROLLER BEARING	KEGELROLLENLAGER
10 15044000	NAVHUS HDL57 B=6	HUB HOUSING	NABENGEHÄUSE
11 13810800	DRIVNIPPEL 6 MM	GREASE NIPPLE	TRIEBNIPPEL
12 15194000	R-LEJE KON.TIMKEN 102949/910 Ø45IND	CONE ROLLER BEARING	KEGELROLLENLAGER
13 14529400	JERNSPLIT Ø6.3 X 65 MM	SPLIT PIN	EISENSPLINT
14 14439650	KRONEMØTRIK FING. MF36 X 1.5 MM	CASTELLATED NUT	KRONEMUTTER
15 15048800	NAVKAPSEL HDL 57+65 NAGBØL Ø77MM UG	HUB CAP WO/THREAD	NABENKAPSEL O/GEWINDE
16 500043	HJUL KPL. 12.5/80X15.3-12 PLY	WHEEL CPL. 12.5/80X15.3	RAD KPL. 12.5/80X15.3-1
16 15037111	HJULFÆLG 9.00 X 15" E=0 6/161/205	WHEEL RIM	RADFÆLGE
16 15016100	SLANGE 12.5 X 15.3"	TUBE	SCHLAUCH
16 15012012	DEK 12.5/80 X 15.3" - 12 PLY	TYRE	REIFEN
17 14464900	KONISK FJEDERSKIVE C18.5	CONICAL SPRING WASHER	FEDERSCHEIBE KONISCH
18 15021100	NAVBOLT M/FLANGE M18 X 2.5 X 47.5MM	HUB BOLT W/FLANGE	NABBOLZEN M/FLANSCH
19 500016	HJUL KPL. 14.0/65X16-10 PLY	WHEEL 14.0/65X16-10 PLY	RAD KPL. 14.0/65X16-10
19 15033600	HJULFÆLG 11 X 16" E=0 6/161/205	WHEEL RIM	RADFÆLGE
19 15017500	SLANGE 14.0 X 16"	TUBE	SCHLAUCH
19 15012600	DEK 14.0/65 X 16" - 10 PLY	TYRE	REIFEN
20 500044	HJUL KPL. 12.5/80X15.3-12 PLY STÅL	WHEEL CPL. 12.5/80X15.3	RAD KPL. 12.5/80X15.3-1
20 15037111	HJULFÆLG 9.00 X 15" E=0 6/161/205	WHEEL RIM	RADFÆLGE
20 15016100	SLANGE 12.5 X 15.3"	TUBE	SCHLAUCH
20 15012013	DEK 12.5/80X15.3"-12 PLY POLY/STÅL	TYRE	REIFEN



7,5T-BT/BTS

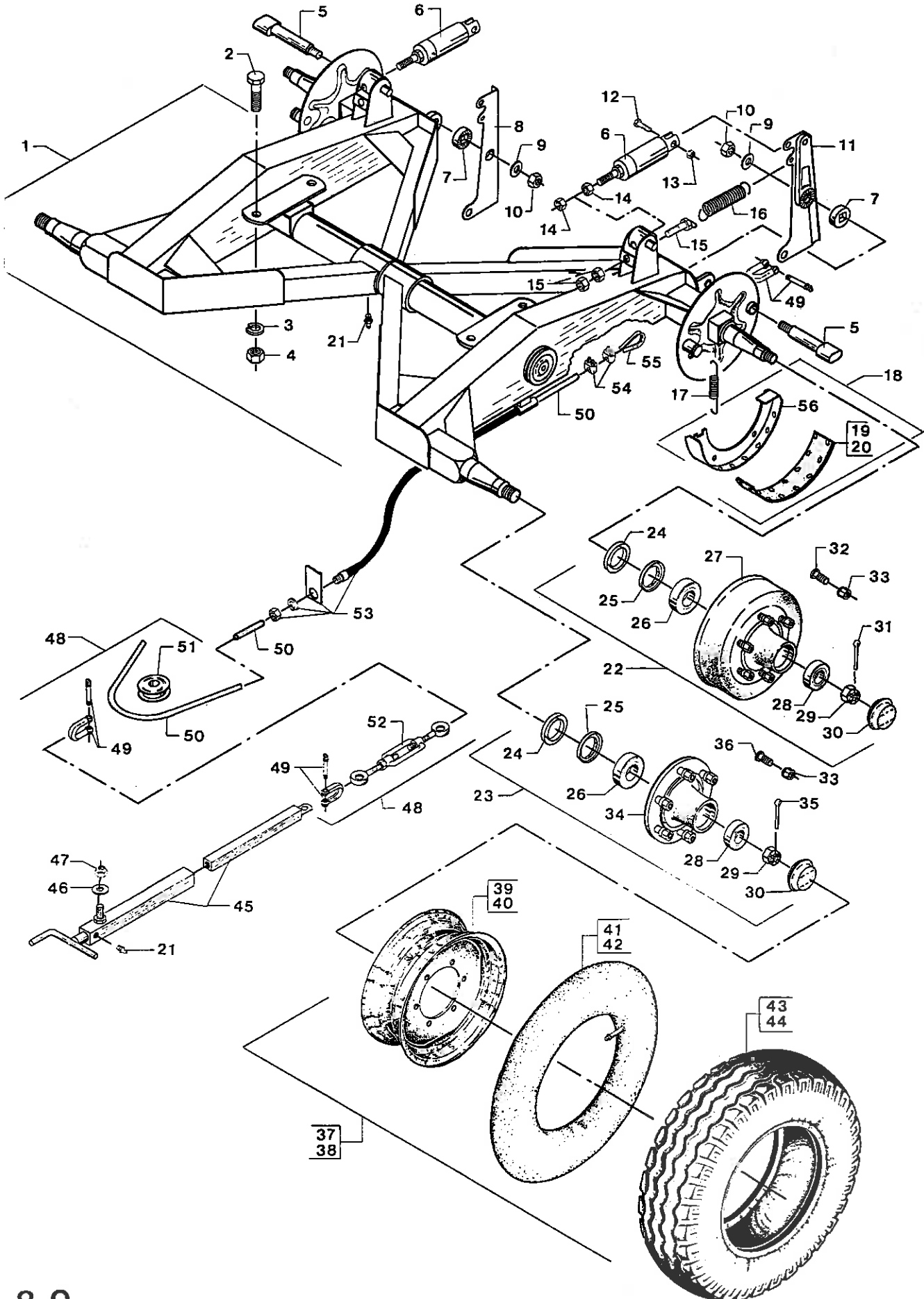


Bogje 7.5T-BT/BTS (L55-6)	Bogje 7.5T-BT/BTS (L55-6)	Tandem 7.5T-BT/BTS (L55-6)
646011	7,5T-BT BOGIE 12.5/80X15.3-12 PLY 1002 1003	7,5T-BT BOGIE 12.5/80X1 7,5T-BT TANDEM 12.5/80X
646016	7.5T-BTS BOGIE 11.5/80X15.3-10 PLY 1002 1003	7.5T-BTS BOGIE 11.5/80X 7.5T-BTS TAND. 11.5/80X

1 664203	BOGIESÆT 1700/930 UDEN BREMSER	BOGIE SET WITHOUT BRAKE	TANDEMSETZ OHNE BREMSE
2 14094400	SÆTSKRUE GROV M20 X 40 MM	SET SCREW	SETZSCHRAUBE
3 14463110	CENTERFJEDERSKIVE M20	SPRING WASHER	FEDERSCHEIBE
5 13841000	SMØRENIPPEL LIGE MF8 X 1 MM	GREASE NIPPLE STRAIGHT	SCHMIERNIPPEL GERADE
6 15044041	NAVHUS KPL. L55 B=6	HUB HOUSING CPL	NABENGEHÄUSE KPL
7 13370600	TÆTNINGSPLADE HDL Ø67/98 KONISK	SEAL RING CONICAL	DICHTPLATTE KONISCH
8 13338700	SIMMERRING 70 X 100 X 10 MM	OIL SEAL	ÖELFANGRING
9 15143800	RULLELEJE KONISK 30211	CONE ROLLER BEARING	KEGELROLLENLAGER
10 15044040	NAVHUS L55 B=6	HUB HOUSING	NABENGEHÄUSE
11 13810800	DRIVNIPPEL 6 MM	GREASE NIPPLE	TRIEBNIPPEL
12 15194000	R-LEJE KON.TIMKEN 102949/910 Ø45IND	CONE ROLLER BEARING	KEGELROLLENLAGER
13 14529400	JERNSPLIT Ø6.3 X 65 MM	SPLIT PIN	EISENSPLINT
14 14439650	KRONEMØTRIK FING. MF36 X 1.5 MM	CASTELLATED NUT	KRONEMUTTER
15 15048600	NAVKAPSEL NAGBØL Ø77.5 MM U/GEVIND	HUB CAP WO/THREAD	NABENKAPSEL O/GEWINDE
16 500043	HJUL KPL. 12.5/80X15.3-12 PLY	WHEEL CPL. 12.5/80X15.3	RAD KPL. 12.5/80X15.3-1
16 15037111	HJULFÆLG 9.00 X 15" E=0 6/161/205	WHEEL RIM	RADFÆLGE
16 15016100	SLANGE 12.5 X 15.3"	TUBE	SCHLAUCH
16 15012012	DEK 12.5/80 X 15.3" - 12 PLY	TYRE	REIFEN
17 14464900	KONISK FJEDERSKIVE C18.5	CONICAL SPRING WASHER	FEDERSCHEIBE KONISCH
18 15021100	NAVOLT M/FLANGE M18 X 2.5 X 47.5MM	HUB BOLT W/FLANGE	NABBOLZEN M/FLANSCH
19 500016	HJUL KPL. 14.0/65X16-10 PLY	WHEEL 14.0/65X16-10 PLY	RAD KPL. 14.0/65X16-10
19 15033600	HJULFÆLG 11 X 16" E=0 6/161/205	WHEEL RIM	RADFÆLGE
19 15017500	SLANGE 14.0 X 16"	TUBE	SCHLAUCH
19 15012600	DEK 14.0/65 X 16" - 10 PLY	TYRE	REIFEN
20 500044	HJUL KPL. 12.5/80X15.3-12 PLY STÅL	WHEEL CPL. 12.5/80X15.3	RAD KPL. 12.5/80X15.3-1
20 15037111	HJULFÆLG 9.00 X 15" E=0 6/161/205	WHEEL RIM	RADFÆLGE
20 15016100	SLANGE 12.5 X 15.3"	TUBE	SCHLAUCH
20 15012013	DEK 12.5/80X15.3"-12 PLY POLY/STÅL	TYRE	REIFEN



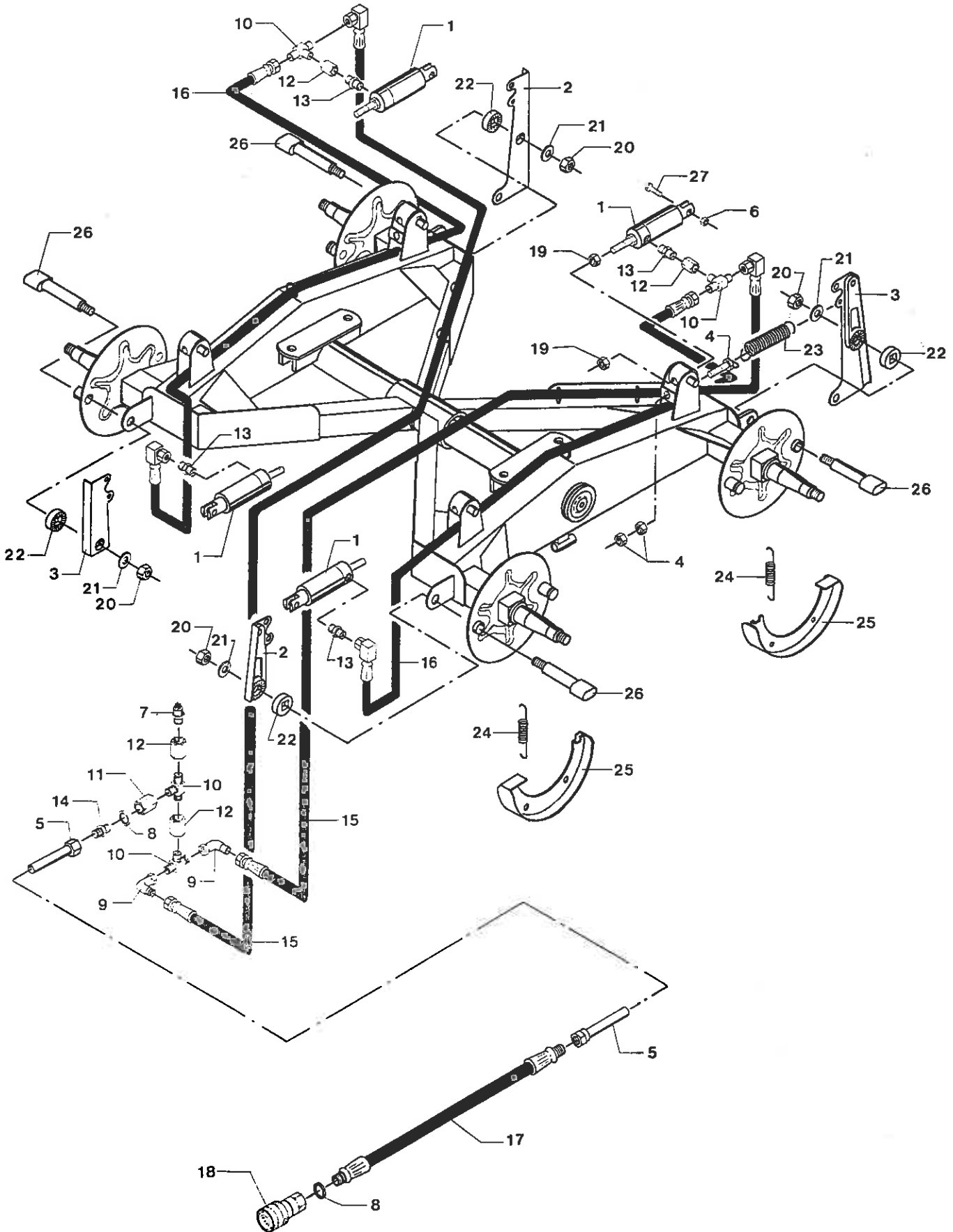
7,5T-BT



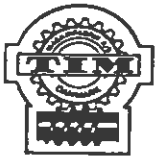
Bogie med bremse (7.5T - BT)	Bogie with brake (7.5T - BT)	Tandem mit Bremse (7.5T - BT)
639839	OLIE TRYSKBREMSE 7,5T-LT/7,0T-SET * 1001	HYDRAULIC BRAKES 2-WH. HYDR. BREMSE (2 RÆDERN)
1 664206	BOGIESET 1700/930 M/OLIEINDR.	BOGIE SET W/OIL BRAKE TANDEMSETZ M/OELBREMSE
2 14094600	SÆTSKRUE GROV M20 X 50 MM	SET SCREW SETZSCHRAUBE
3 14463110	CENTERFJEDERSKIVE M20	SPRING WASHER FEDERSCHEIBE
4 14411400	MØTRIK M20	NUT MUTTER
5 15027300	BREMSENØGLEAKSEL L=180 MM	BRAKE TOGGLE SHAFT BREMSSCHLUESSELWELLE
6 350300	BREMSECYLINDER E30 SLAGLÆNGDE=65 MM	BRAKE RAM BREMSSYLINDER
7 14489600	TANDSKIVE	SPROCKET ZAHNSCHEIBE
8 661605	BREMSEARM H. (HUSK 150-26000 MED)	BRAKE LEVER RH BREMSEHEBEL R.
9 14463110	CENTERFJEDERSKIVE M20	SPRING WASHER FEDERSCHEIBE
10 14413310	MØTRIK MF20 X 1 MM	NUT MUTTER
11 661606	BREMSEARM V. (HUSK 150-26000 MED)	BRAKE LEVER LH BREMSEHEBEL L.
12 14087700	SÆTSKRUE GROV M10 X 35 MM	SET SCREW SETZSCHRAUBE
13 14430500	LÅSEMØTRIK M10	LOCK NUT GEGENMUTTER
14 14411100	MØTRIK M16	NUT MUTTER
15 664275	STRAMMEBOLT FOR TREKFJEDER	TENSION. BOLT F/SPRING SPANNBOLZEN F/ZIEHFEDER
16 14784100	TREKFJEDER 1 ØJE 2 ENDER Ø4.5 X Ø25	TENSION SPRING ZIEHFEDER
17 14789900	TREKFJEDER PEITZ	TENSION SPRING ZIEHFEDER
18 15004200	SET BREMSEBAKKE M/BELÆG. 350 X 60MM	BRAKE BLOCK SET W/LIN. BREMSSACKSATZ M/BELAG
19 15029200	BREMSEBELÆG. PEITZ 350 X 60 X 5 MM	BRAKE LINING BREMSELÆG
20 14518500	KOBBERNITTE B6 X 10 MM	COPPER RIVET KUPFERNIET
21 13841000	SMØRENIPPEL LIGE MF8 X 1 MM	GREASE NIPPLE STRAIGHT SCHMIERNIPPEL GERADE
22 15073501	BREMSESTROMLE KPL. F. 150-73500	BRAKE DRUM CPL BREMSTROMMEL KPL
23 15040801	NAVHUS KPL. F. 150-40800	HUB HOUSING CPL NABENGEHÆUSE KPL
24 15025000	STØDRING PEITZ	SUPPORT RING STUETZRING
25 13369100	LABYRINTTÆTNING PEITZ	LABYRINTH SEAL LABYRINTHDICHTUNG
26 15146100	RULLELEJE KONISK 32211	CONE ROLLER BEARING KEGELROLLENLAGER
27 15073500	BREMSESTROMLENAV PEITZ 350 X 60 MM	BRAKE DRUM HUB BREMSTROMMELNABE
28 15145600	RULLELEJE KONISK 32207	CONE ROLLER BEARING KEGELROLLENLAGER
29 14438710	KRONEMØTRIK MF27 X 1.5 MM	CASTELLATED NUT KRONEMUTTER
30 15049800	NAVKAPSEL PEITZ Ø72 MM U/GEVIND	HUB CAP WO/THREAD NABENKAPSEL O/GEWINDE
31 14528600	JERNSPLIT Ø5 X 50 MM	SPLIT PIN EISENSPLINT
32 15022300	NAVBOLE REB MF18 X 1.5 X 52 MM	HUB BOLT NABBOLZEN
33 15024600	NAVMOØTRIK A18 X 1.5 MM	HUB NUT NABMUTTER
34 15040800	NAVHUS PEITZ R5006 6/161/205	HUB HOUSING NABENGEHÆUSE
35 14528400	JERNSPLIT Ø5 X 40 MM	SPLIT PIN EISENSPLINT
36 15022200	NAVBOLE REB M18 X 46 MM	HUB BOLT NABBOLZEN
37 500044	HJUL KPL. 12.5/80X15.3-12 PLY STÅL	WHEEL CPL. 12.5/80X15.3
38 500039	HJUL KPL. 14.00/65X16-14 PLY STÅL	WHEEL CPL. 14.0/65X16-1
39 15037111	HJULFÆLG 9.00 X 15" E=0 6/161/205	WHEEL RIM RADFELGE
40 15033700	EJULFÆLG M. RUNDJERNFORST. 11 X 16	WHEEL RIM W/REINFORCEM. RADFELGE M/VERSTÆRKUNG
41 15016100	SLANGE 12.5 X 15.3"	TUBE SCHLAUCH
42 15017500	SLANGE 14.0 X 16"	TUBE SCHLAUCH
43 15012013	DÆK 12.5/80X15.3"-12 PLY POLY/STÅL	TYRE REIFEN
44 15014214	DÆK 14.0/65X16"-14 PLY POLY/STÅL	TYRE REIFEN
45 671113	HÅNDBREMSE F. INDR. VOGNE	HAND BRAKE F/REG. TR. HANDBREMSE F/GEN. WAGEN
46 14440800	SVÆR SKIVE 21 X 37 X 3 MM	WASHER SCHEIBE
47 14431400	LÅSEMØTRIK M20	LOCK NUT GEGENMUTTER
48 639837	HÅNDBREMSESET TIL BOGIE	HANDBRAKE SET F/BOGIE HANDBREMSSATZ F/TANDEM
49 14842500	D-SJÆKEL FZB 3/8"	D-SHACKLE D-SCHÆKEL
50 15330900	WIRE FZB 6 MM 7 X 19 + 7FC	WIRE STAHLDRAHT
51 660054	FØRINGSRULLE F. WIRE	GUIDE ROLLER F/WIRE FUEHR.-ROLLE F/DRAHT
52 14856100	BARDUNSTRAMMER FZB 1/2" 2 ØJER	WIRE STRAINER W/2 EYES SPANNSCHLOSS M/2 AUGEN
53 15834900	BOWDENKABELHYLSTER = 1500 MM	BOWDEN CABLE COVER BOWDENKABELHUELUNG
54 14847000	WIRELÅS FZB 1/4"	WIRE LOCK DRAHTSEILSCHLOSS
55 14837800	KOV 1 1/2" = 6 MM	THIMBLE KAUSCHE
56 15028800	BREMSEBAKKE PEITZ 350 X 60 MM	BRAKE CHECK BREMSSACK



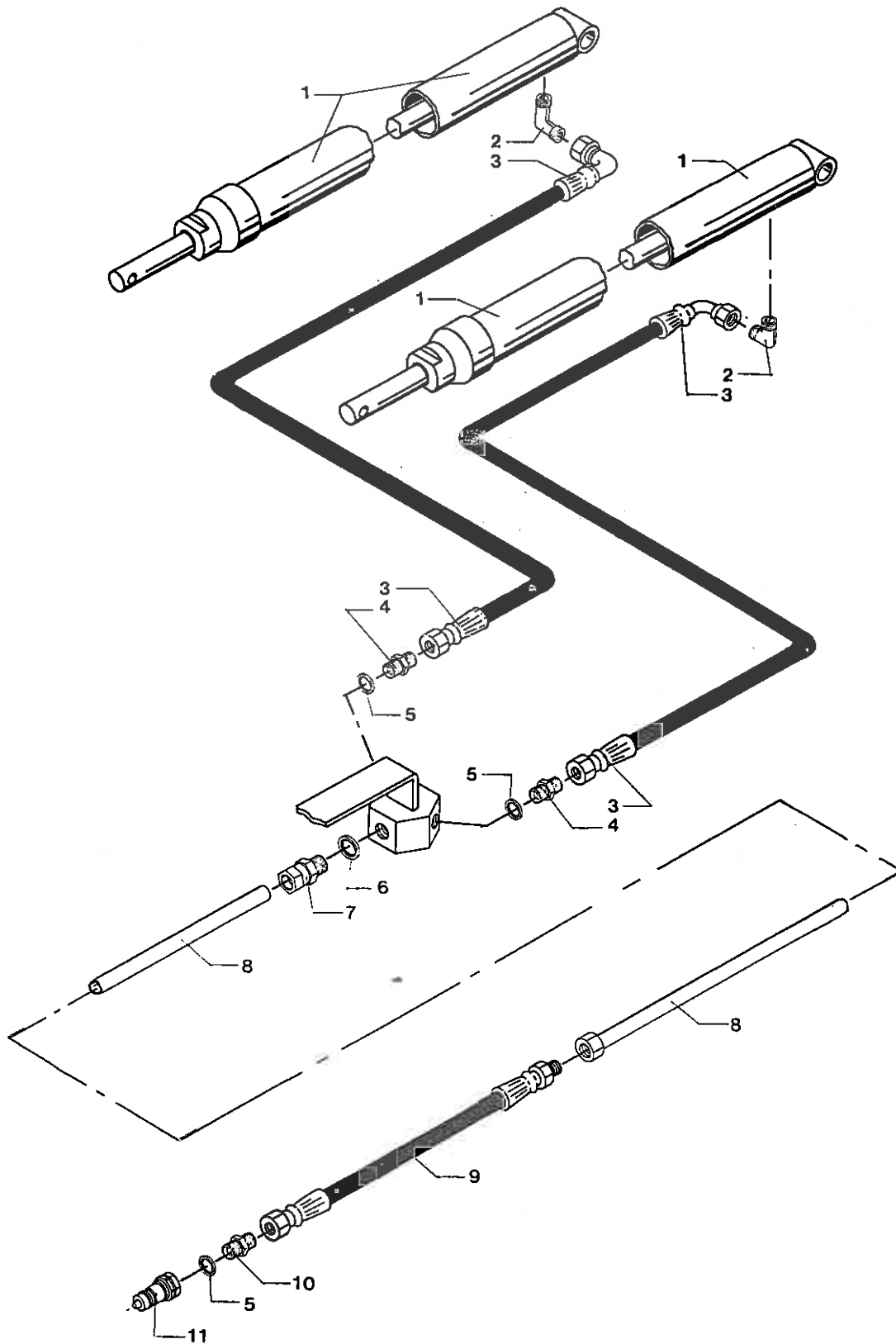
7,5T-BT/BTS



Bogie m/4-hjuls bremsar	Bogie w/4-wheels oil brakes	Tandem m/4-Rad Oelbremsen
646013	7,5T-BT, INDREG.-12.5/80X15.3-12 ST 1001	7,5T-BT W/BRAKES 12.5/8 7,5T-BT M/BREMSE 12.5/8
1 350300	BREMSECYLINDER E30 SLAGLÆNGDE=65 MM	BRAKE RAM BREMSZYLINDER
2 661605	BREMSEARM H. (HUSK 150-26000 MED)	BRAKE LEVER RH BREMSHEBEL R.
3 661606	BREMSEARM V. (HUSK 150-26000 MED)	BRAKE LEVER LH BREMSHEBEL L.
4 664275	STRAMMEBOLT FOR TRÆKFJEDER	TENSION. BOLT F/SPRING SPANNBOLZEN F/ZIEHFEDER
5 661600	HYDR. RØR Ø15 X 2800	HYDRAULIC PIPE HYDRAULIKRØHR
6 14430500	LÅSEMØTRIK M10	LOCK NUT GEGENMUTTER
7 12531000	HYDR. EL-KONTAKT 38 BAR	HYDR. ELECTRIC SWITCH HYDR. EL.-SCHALTER
8 13257200	PAKNINGSRING Ø1/2"	SEAL RING DICHRING
9 13405200	VINKEL 1/4"-90GR. OMLØBER+UDV.	ELBOW, SCREW CAP+OUTS.T. WINKEL, UE.-M.+AUS.GEW.
10 13410800	HYD. T-STYKKE 1/4" X 1/4" X 1/4" BSP	HYDR. T-PIECE HYDR. T-STUECK
11 13415100	HYDR. MUFFE 1/2" X 1/4" BSP	HYD. STRAIGHT CONNECTOR HYDR. ANSCHLUSS
12 13416200	HYDR. MUFFE 1/4" BSP	HYD. STRAIGHT CONNECTOR HYDR. ANSCHLUSS
13 13425400	HYDR. BRYSTNIPPEL 1/4" X 1/4" K BSPT	HYDR. ADAPTOR HYDR. REDUZIERNIPPEL
14 13425600	HYDR. BRYSTNIPPEL 1/2" X 1/2" BSP	HYDR. ADAPTOR HYDR. REDUZIERNIPPEL
15 13750300	HYDR. SLANGE Ø1/4" X 1250 MM	HYDR. HOSE HYDR. SCHLAUCH
16 13750400	HYDR. SLANGE Ø1/4" X 850 MM	HYDR. HOSE HYDR. SCHLAUCH
17 13762422	HYDR. SLANGE Ø1/2" X 2250 MM	HYDR. HOSE HYDR. SCHLAUCH
18 13765400	LYNKOBLLING HUN 1/2"	QUICK COUPLING FEMALE HYDR. ANSCHLUSS INW.G.
19 14411110	MØTRIK M16	NUT MUTTER
20 14413310	MØTRIK MF20 X 1 MM	NUT MUTTER
21 14463110	CENTERFJEDERSKIVE M20	SPRING WASHER FEDERSCHEIBE
22 14489600	TANDSKIVE	SPROCKET ZAHNSCHEIBE
23 14784100	TRÆKFJEDER 1 ØJE 2 ENDER Ø4.5 X Ø25	TENSION SPRING ZIEHFEDER
24 14789900	TRÆKFJEDER PEITZ	TENSION SPRING ZIEHFEDER
25 15004200	SET BREMSEBAKKE M/BELÆG. 350 X 60MM	BRAKE BLOCK SET W/LIN. BREMSBACKSATZ M/BELAG
25 15028800	BREMSEBAKKE PEITZ 350 X 60 MM	BRAKE CHECK BREMSBACKE
25 15029200	BREMSEBELÆG. PEITZ 350 X 60 X 5 MM	BRAKE LINING BREMSBELAG
25 14518500	KOBBERNITTE B6 X 10 MM	COPPER RIVET KUPFERNIET
26 15027300	BREMSENØGLEAKSEL L=180 MM	BRAKE TOGGLE SHAFT BREMS-SCHLUESSELWELLE
27 14087700	SETS KRUE GROV M10 X 35 MM	SET SCREW SETZSCHRAUBE



6,5 - 7,5 T BT

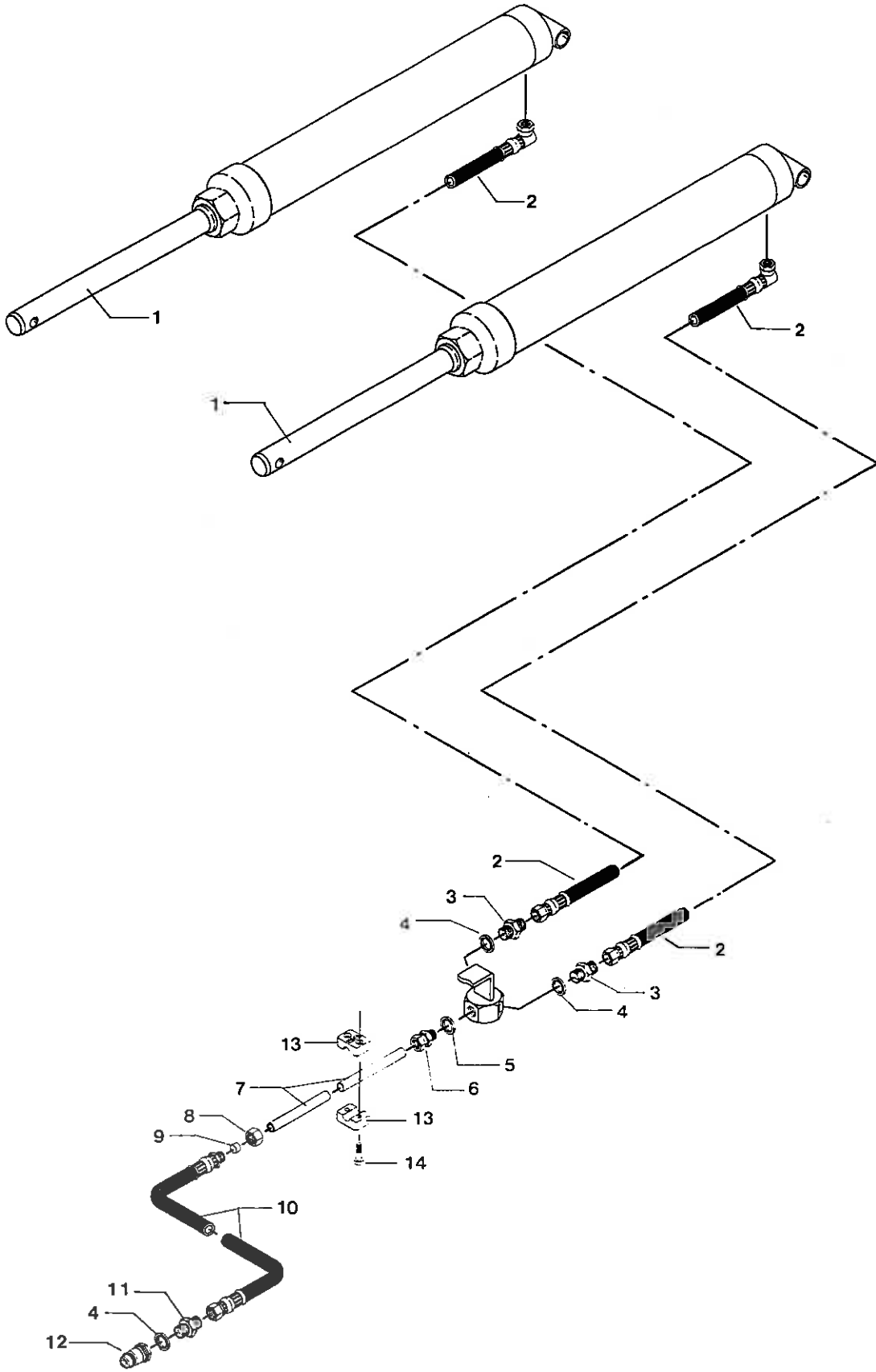


Hydraulik (- bremsor) 1001-100	Hydraulics 1001-1002	Hydraulik 1001-1002
646010	6,5T-BT-14.0/65X16-14 PLY 1001 1002	6,5T-BT 14.0/65X16-14 P 6,5T-BT 14.0/65X16-14 P
646011	7,5T-BT BOGIE 12.5/80X15.3-12 PLY 1001 1002	7,5T-BT BOGIE 12.5/80X1 7,5T-BT TANDEM 12.5/80X
646015	6.5T-BTS 14.0/65X16-14 PLY 1001 1002	6.5T-BTS 14.0/65X16-14 6.5T-BTS 14.0/65X16-14
646016	7.5T-BTS BOGIE 11.5/80X15.3-10 PLY 1001 1002	7.5T-BTS BOGIE 11.5/80X 7.5T-BTS TAND. 11.5/80X

1	SIDE 13.0	PAGE 13.0	SEITE 13.0
2 13404300	VINKEL 1/2" BSP X 1/2" BSP X	ELBOW	WINKEL
3 13760610	HYDR. SLANGE Ø1/2" X 1050 MM	HYDR. HOSE	HYDR. SCHLAUCH
4 13425600	HYDR. BRYSTNIPPEL 1/2" X 1/2" BSP	HYDR. ADAPTOR	HYDR. REDUZIERNIPPEL
5 13257200	PAKNINGSRING Ø1/2"	SEAL RING	DICHTRING
6 13257300	PAKNINGSRING Ø3/4" (27.0X35.0X2.5)	SEAL RING	DICHTRING
7 13461700	FITTING 3/4" BSP/Ø22 MM	CONNECTOR	ANSCHLUSS
8 646344	HYDR. RØR Ø22 X 2000 MM	HYDR. PIPE	HYDR. ROHR
8 13361700	SKÆRERING 22 MM	CLAMPING RING	SCHNEIDRING
8 13436700	RØRMØTRIK M30 X 2.0 MM	PIPE NUT	ROHRMUTTER
9 13703922	HYDR. SLANGE Ø3/4" X 2250 MM	HYDR. HOSE.	HYDR. SCHLAUCH
10 13427700	HYDR. BRYSTNIPPEL 3/4" X 1/2" BSP	HYDR. ADAPTOR	HYDR. REDUZIERNIPPEL
11 13765300	LYNKOBLING HAN 1/2"	QUICK COUPLING MALE	HYDR. ANSCHLUSS AUS.G.



6,5T - 7,5T - BT/BTS

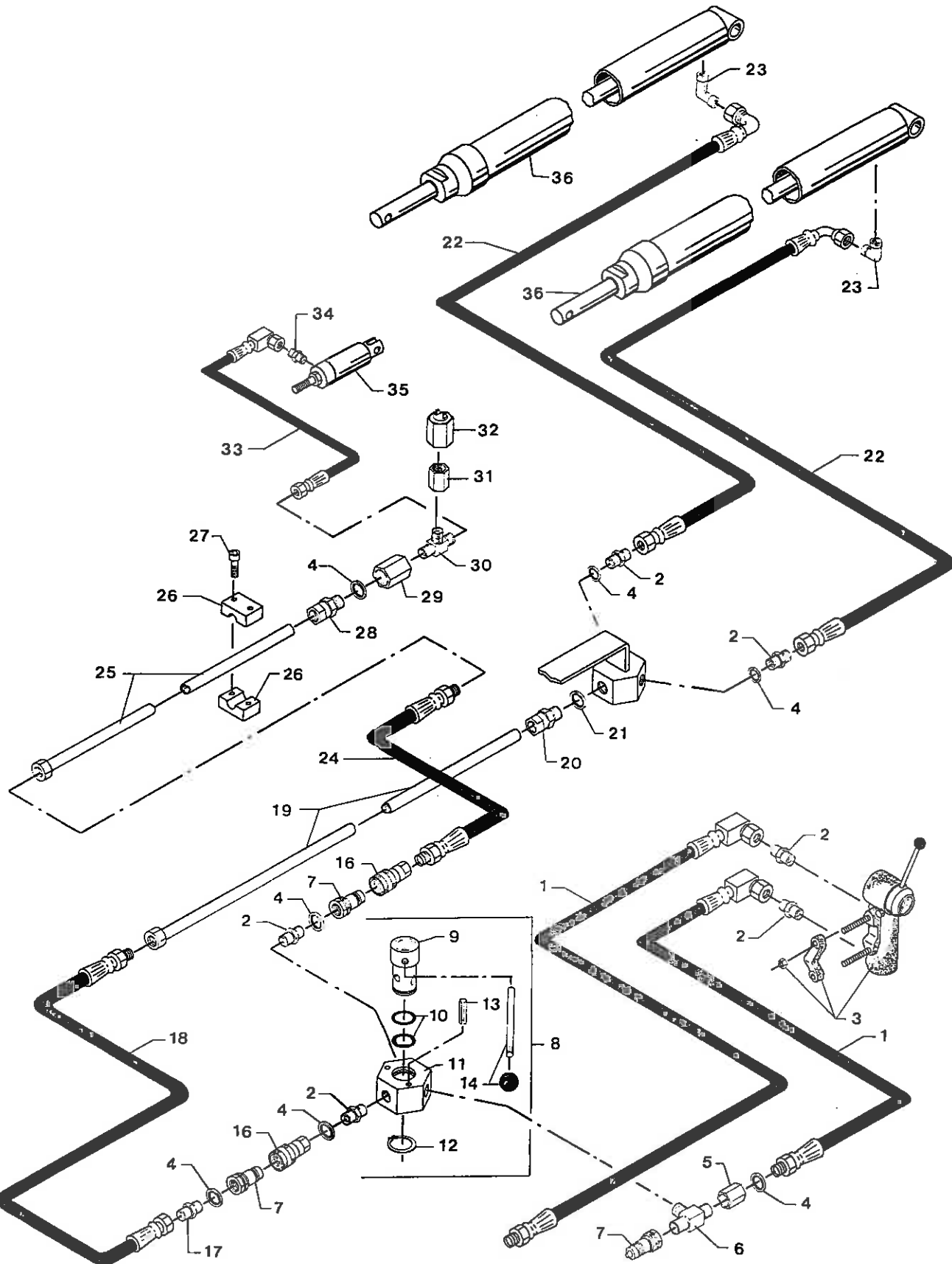


Hydraulik (excl. bremses) 1003	Hydraulics 1003	Hydraulik 1003
646010	6,5T-BT-14.0/65X16-14 PLY 1003	6,5T-BT 14.0/65X16-14 P 6,5T-BT 14.0/65X16-14 P
646011	7,5T-BT BOGIE 12.5/80X15.3-12 PLY 1003	7,5T-BT BOGIE 12.5/80X1 7,5T-BT TANDEM 12.5/80X
646015	6.5T-BTS 14.0/65X16-14 PLY 1003	6.5T-BTS 14.0/65X16-14 6.5T-BTS 14.0/65X16-14
646016	7.5T-BTS BOGIE 11.5/80X15.3-10 PLY 1003	7.5T-BTS BOGIE 11.5/80X 7.5T-BTS TAND. 11.5/80X

1	SIDE 13.01	PAGE 13.01	SEITE 13.01
2 13760408	HYDR. SLANGE Ø1/2" X 800 MM	HYDR. HOSE	HYDR. SCHLAUCH
3 13425600	HYDR. BRYSTNIPPEL 1/2" X 1/2" BSP	HYDR. ADAPTOR	HYDR. REDUZIERNIPPEL
4 13257200	PAKNINGSRING Ø1/2"	SEAL RING	DICHTRING
5 13257300	PAKNINGSRING Ø3/4" (27.OX35.OX2.5)	SEAL RING	DICHTRING
6 13461400	FITTING 3/4" BSP/Ø18 MM	CONNECTOR	ANSCHLUSS
7 646294	HYDR. RØR Ø18 X 2860 MM	HYDR. PIPE	HYDR. ROHR
8 13436600	RØRMØTRIK M26 X 1.5 MM	PIPE NUT	ROHRMUTTER
9 13361600	SKÆRERING 18 MM	CLAMPING RING	SCHNEIDRING
10 13530922	HYDR. SLANGE Ø5/8" X 2250 MM	HYDR. HOSE	HYDR. SCHLAUCH
11 13427700	HYDR. BRYSTNIPPEL 3/4" X 1/2" BSP	HYDR. ADAPTOR	HYDR. REDUZIERNIPPEL
12 13765300	LYNKOBLING HAN 1/2"	QUICK COUPLING MALE	HYDR. ANSCHLUSS AUS.G.
13 13482102	HALVPART F. RØRHOLDER 18 MM	PIPE HOLDER HALF	ROERHALTER-HALBTEIL
14 14255300	UNBRACO MC 6 X 25 MM	UNBRACO SCREW	UNBRACOSCHRAUBE



6,5T - BT/BTS

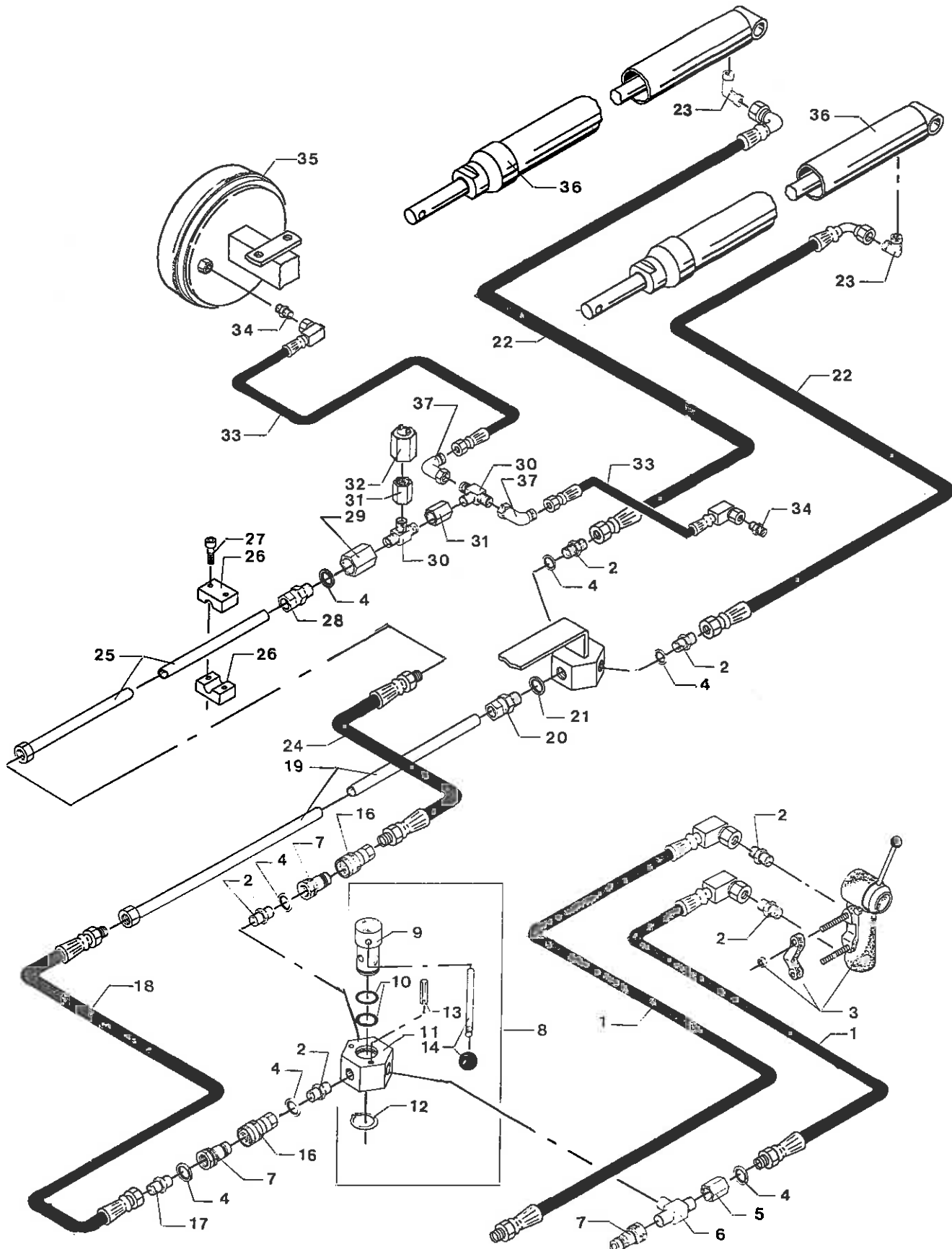


Hydr. 6.5T m/bremse (PEITZ)	Hydraulics 6.5T w/brake	Hydraulik 6.5T m/Bremsen
646012	6,5T-BT INDREG.-14.0/65X16-14 STÅL 1001	6,5T-BT W/BRAKES 14.0/6 6,5T-BT M/BREMSE 14.0/6

1 13762015	HYDR. SLANGE Ø1/2" X 1500 MM	HYDR. HOSE	HYDR. SCHLAUCH
2 13425600	HYDR. BRYSTNIPPEL 1/2" X 1/2" BSP	HYDR. ADAPTOR	HYDR. REDUZIERNIPPEL
3 13731000	HYDR. BREMSEREGULATOR	HYDR. BRAKE GOVENOR	HYDR. BREMSREGLER
4 13257200	PAKNINGSRING Ø1/2"	SEAL RING	DICHTRING
5 13416500	HYDR. MUFFE 1/2" BSP	HYD. STRAIGHT CONNECTOR	HYDR. ANSCHLUSS
6 13411100	HYD. T-STYK. 1/2" X 1/2"K X 1/2" BSP	HYDR. T-PIECE	HYDR. T-STUECK
7 13765300	LYNKOBLING HAN 1/2"	QUICK COUPLING MALE	HYDR. ANSCHLUSS AUS.G.
8 350000	TREVEJSVENTIL KPL.	THREE-WAY VALVE CPL.	DREIWEGVENTIL KPL.
9 350201	DREJESTEMPEL	TURNING PISTON	DREHKOLBEN
10 13314000	O-RING Ø29.75 X 3.53 MM	O-RING	O-RING
11 350200	VENTILHUS NV. 65 X 42	VALVE HOUSING	VENTILGEHAEUSE
12 14643000	SEEGERRING UDV. Ø30 MM	CIRCLIP	SICHERUNGSRING
13 14563900	RØRSPENDESTIFT Ø5 X 30 MM	DOWEL	ROHRSPANNSTIFT
14 13772700	HÅNDTAG MED BAKELITKUGLE	HANDLE W/BAKELITE BALL	HANDGRIFF M/BAKELITKUG.
16 13765400	LYNKOBLING HUN 1/2"	QUICK COUPLING FEMALE	HYDR. ANSCHLUSS INW.G.
17 13427700	HYDR. BRYSTNIPPEL 3/4" X 1/2" BSP	HYDR. ADAPTOR	HYDR. REDUZIERNIPPEL
18 13703922	HYDR. SLANGE Ø3/4" X 2250 MM	HYDR. HOSE.	HYDR. SCHLAUCH
19 646344	HYDR. RØR Ø22 X 2000 MM	HYDR. PIPE	HYDR. ROHR
19 13361700	SKRERERING 22 MM	CLAMPING RING	SCHNEIDRING
19 13436700	RØRMØTRIK M30 X 2.0 MM	PIPE NUT	ROHRMUTTER
20 13461700	FITTING 3/4" BSP/Ø22 MM	CONNECTOR	ANSCHLUSS
21 13257300	PAKNINGSRING Ø3/4" (27.0X35.0X2.5)	SEAL RING	DICHTRING
22 13760610	HYDR. SLANGE Ø1/2" X 1050 MM	HYDR. HOSE	HYDR. SCHLAUCH
23 13404300	VINKEL 1/2" BSP X 1/2" BSP K	ELBOW	WINKEL
24 13762422	HYDR. SLANGE Ø1/2" X 2250 MM	HYDR. HOSE	HYDR. SCHLAUCH
25 661600	HYDR. RØR Ø15 X 2800	HYDRAULIC PIPE	HYDRAULIKROHR
26 13481800	RØRHOLDER 15 MM	PIPE HOLDER	ROHRHALTER
27 14255300	UNBRACO MC 6 X 25 MM	UNBRACO SCREW	UNBRACOSCHRAUBE
28 13461000	FITTING 1/2" BSP/Ø15 MM	CONNECTOR	ANSCHLUSS
29 13415100	HYDR. MUFFE 1/2" X 1/4" BSP	HYD. STRAIGHT CONNECTOR	HYDR. ANSCHLUSS
30 13410800	HYD. T-STYKKE 1/4" X 1/4" X 1/4" BSP	HYDR. T-PIECE	HYDR. T-STUECK
31 13416200	HYDR. MUFFE 1/4" BSP	HYD. STRAIGHT CONNECTOR	HYDR. ANSCHLUSS
32 12531000	HYDR. EL-KONTAKT 38 BAR	HYDR. ELECTRIC SWITCH	HYDR. EL.-SCHALTER
33 13752804	HYDR. SLANGE Ø1/4" X 470 MM	HYDR. HOSE	HYDR. SCHLAUCH
34 13425400	HYDR. BRYSTNIPPEL 1/4" X 1/4"K BSPT	HYDR. ADAPTOR	HYDR. REDUZIERNIPPEL
35 350301	BREMSECYLINDER E45 SLAGLÆNGDE=65 MM	BRAKE RAM	BREMSEZYLINDER
36	SIDE 13.0	PAGE 13.0	SEITE 13.0



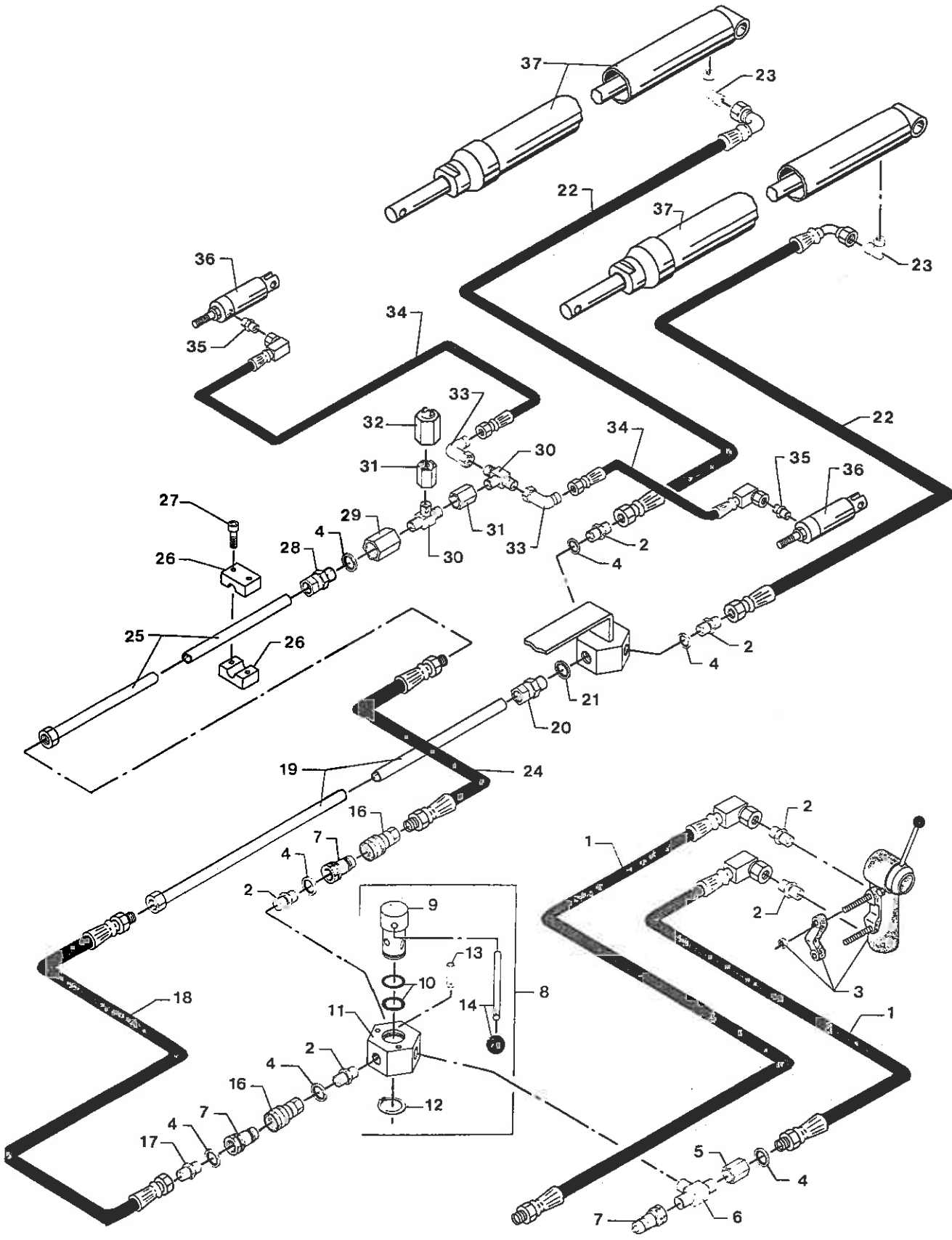
6,5T - BT



Hydr. 6.5T m/bremser (NAGBØL)	Hydraulics 6.5T w/brake	Hydraulik 6.5T m/Bremsen	
646012	6,5T-BT INDREG.-14.0/65X16-14 STÅL 1002	6,5T-BT W/BRAKES 14.0/6 6,5T-BT M/BREMSE 14.0/6	
1 13762015	HYDR. SLANGE Ø1/2" X 1500 MM	HYDR. HOSE	HYDR. SCHLAUCH
2 13425600	HYDR. BRYSTNIPPEL 1/2" X 1/2" BSP	HYDR. ADAPTOR	HYDR. REDUZIERNIPPEL
3 13731000	HYDR. BREMSEREGULATOR	HYDR. BRAKE GOVENOR	HYDR. BREMSREGLER
4 13257200	PAKNINGSRING Ø1/2"	SEAL RING	DICHTRING
5 13416500	HYDR. MUFFE 1/2" BSP	HYD. STRAIGHT CONNECTOR	HYDR. ANSCHLUSS
6 13411100	HYD. T-STYK. 1/2" X 1/2"K X 1/2"BSP	HYDR. T-PIECE	HYDR. T-STUECK
7 13765300	LYNKOBLING HAN 1/2"	QUICK COUPLING MALE	HYDR. ANSCHLUSS AUS.G.
8 350000	TREVEJSVENTIL KPL.	THREE-WAY VALVE CPL.	DREIWEQVENTIL KPL.
9 350201	DREJESTEMPEL	TURNING PISTON	DREHKOLBEN
10 13314000	O-RING Ø29.75 X 3.53 MM	O-RING	O-RING
11 350200	VENTILHUS NV. 65 X 42	VALVE HOUSING	VENTILGEHAEUSE
12 14643000	SEEGERRING UDV. Ø30 MM	CIRCLIP	SICHERUNGSRING
13 14563900	RØRSPENDESTIFT Ø5 X 30 MM	DOWEL	ROHRSPANNSTIFT
14 13772700	HÅNDTAG MED BAKELITKUGLE	HANDLE W/BAKELITE BALL	HANDGRIFF M/BAKELITKUG.
16 13765400	LYNKOBLING HUN 1/2"	QUICK COUPLING FEMALE	HYDR. ANSCHLUSS INW.G.
17 13427700	HYDR. BRYSTNIPPEL 3/4" X 1/2" BSP	HYDR. ADAPTOR	HYDR. REDUZIERNIPPEL
18 13703922	HYDR. SLANGE Ø3/4" X 2250 MM	HYDR. HOSE.	HYDR. SCHLAUCH
19 646344	HYDR. RØR Ø22 X 2000 MM	HYDR. PIPE	HYDR. ROHR
19 13361700	SKERERING 22 MM	CLAMPING RING	SCHNEIDRING
19 13436700	RØRMØTRIK M30 X 2.0 MM	PIPE NUT	ROHRMUTTER
20 13461700	FITTING 3/4" BSP/Ø22 MM	CONNECTOR	ANSCHLUSS
21 13257300	PAKNINGSRING Ø3/4" (27.0X35.0X2.5)	SEAL RING	DICHTRING
22 13760610	HYDR. SLANGE Ø1/2" X 1050 MM	HYDR. HOSE	HYDR. SCHLAUCH
23 13404300	VINKEL 1/2" BSP X 1/2" BSP K	ELBOW	WINKEL
24 13762422	HYDR. SLANGE Ø1/2" X 2250 MM	HYDR. HOSE	HYDR. SCHLAUCH
25 661600	HYDR. RØR Ø15 X 2800	HYDRAULIC PIPE	HYDRAULIKROHR
25 13361500	SKERERING 15 MM	CLAMPING RING	SCHNEIDRING
26 13481800	RØRHOLDER 15 MM	PIPE HOLDER	ROHRHALTER
27 14255300	UNBRACO MC 6 X 25 MM	UNBRACO SCREW	UNBRACOSCHRAUBE
28 13461000	FITTING 1/2" BSP/Ø15 MM	CONNECTOR	ANSCHLUSS
29 13415100	HYDR. MUFFE 1/2" X 1/4" BSP	HYD. STRAIGHT CONNECTOR	HYDR. ANSCHLUSS
30 13410800	HYD. T-STYKKE 1/4" X 1/4" X 1/4"BSP	HYDR. T-PIECE	HYDR. T-STUECK
31 13416200	HYDR. MUFFE 1/4" BSP	HYD. STRAIGHT CONNECTOR	HYDR. ANSCHLUSS
32 12531000	HYDR. EL-KONTAKT 38 BAR	HYDR. ELECTRIC SWITCH	HYDR. EL.-SCHALTER
33 13750300	HYDR. SLANGE Ø1/4" X 1250 MM	HYDR. HOSE	HYDR. SCHLAUCH
34 13427400	HYDR. BRYSTNIPPEL 3/8" X 1/4" BSP	HYDR. ADAPTOR	HYDR. REDUZIERNIPPEL
35	SIDE 6.01	PAGE 6.01	SEITE 6.01
35 13436500	RØRMØTRIK M22 X 1.5 MM	PIPE NUT	ROHRMUTTER
36	SIDE 13.0	PAGE 13.0	SEITE 13.0
37 13405200	VINKEL 1/4"-90GR. CMLØBER+UDV.	ELBOW,SCREW CAP+OUTS.T.	WINKEL, UE.-M.+AUS.GEW.



7,5T-BT/BTS



Hydralik for 7.5T m/bremser

Hydraulics for 7.5T w/brake

Hydraulik für 7.5T m/Bremsen

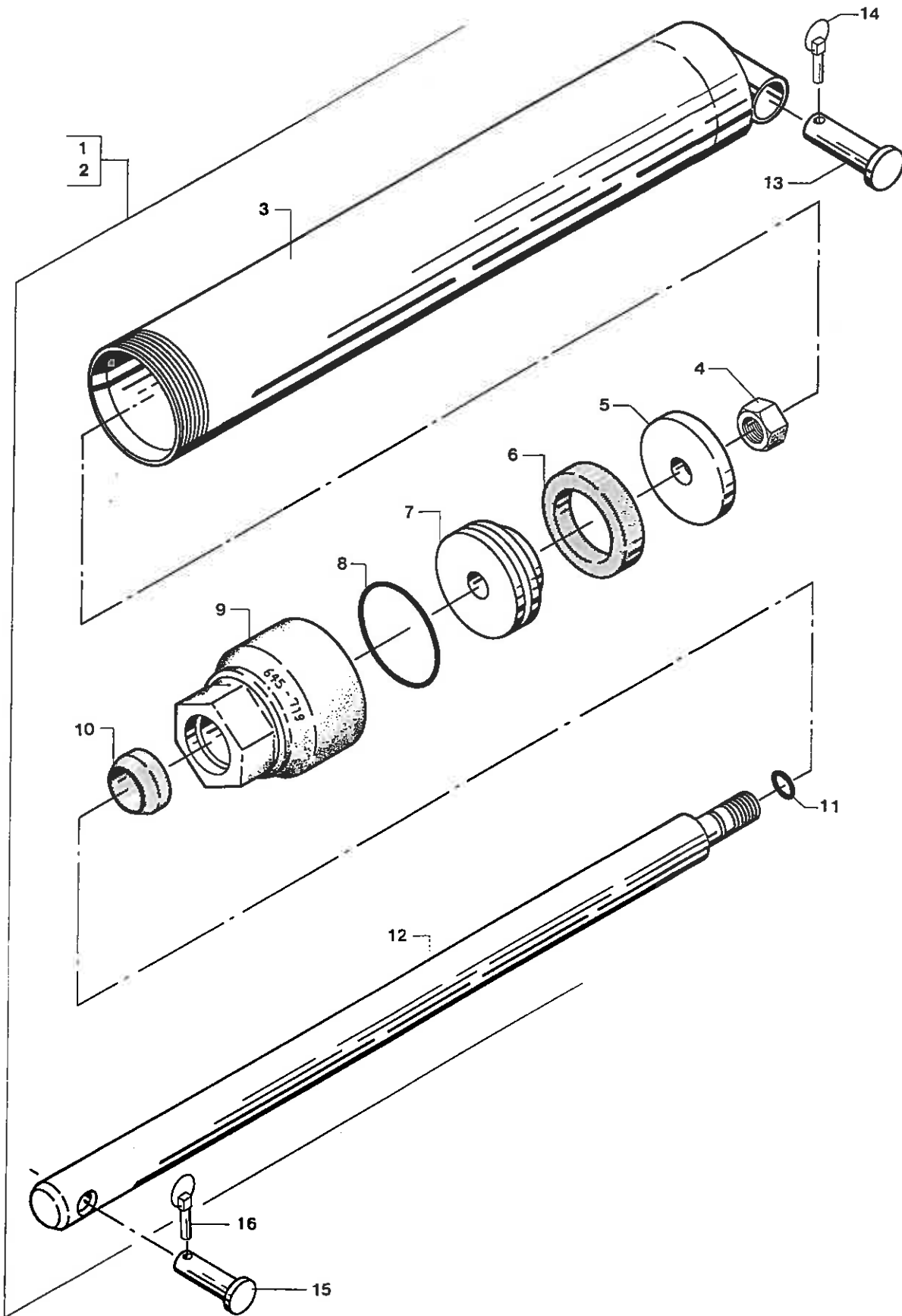
646013

7,5T-BT, INDREG.-12.5/80X15.3-12 ST 7,5T-BT W/BRAKES 12.5/8 7,5T-BT M/BREMSE 12.5/8
 1001

1	13762015	HYDR. SLANGE Ø1/2" X 1500 MM	HYDR. HOSE	HYDR. SCHLAUCH
2	13425600	HYDR. BRYSTNIPPEL 1/2" X 1/2" BSP	HYDR. ADAPTOR	HYDR. REDUZIERNIPPEL
3	13731000	HYDR. BREMSEREGULATOR	HYDR. BRAKE GOVENOR	HYDR. BREMSREGLER
4	13257200	PAKNINGSRING Ø1/2"	SEAL RING	DICHTRING
5	13416500	HYDR. MUFFE 1/2" BSP	HYD. STRAIGHT CONNECTOR	HYDR. ANSCHLUSS
6	13411100	HYD. T-STYK. 1/2" X 1/2"K X 1/2"BSP	HYDR. T-PIECE	HYDR. T-STUECK
7	13765300	LYNKOBLING HAN 1/2"	QUICK COUPLING MALE	HYDR. ANSCHLUSS AUS.G.
8	350000	TREVEJSVENTIL KPL.	THREE-WAY VALVE CPL.	DREIWEGVENTIL KPL.
9	350201	DREJESTEMPEL	TURNING PISTON	DREHKOLBEN
10	13314000	O-RING Ø29.75 X 3.53 MM	O-RING	O-RING
11	350200	VENTILHUS NV. 65 X 42	VALVE HOUSING	VENTILGEHAEUSE
12	14643000	SEEGERRING UDV. Ø30 MM	CIRCLIP	SICHERUNGSRING
13	14563900	RØRSPÆNDSTIFT Ø5 X 30 MM	DOWEL	ROHRSPANNSTIFT
14	13772700	HÅNDTAG MED BAKELITKUGLE	HANDLE W/BAKELITE BALL	HANDGRIFF M/BAKELITKUG.
15	13765400	LYNKOBLING HUN 1/2"	QUICK COUPLING FEMALE	HYDR. ANSCHLUSS INW.G.
17	13427700	HYDR. BRYSTNIPPEL 3/4" X 1/2" BSP	HYDR. ADAPTOR	HYDR. REDUZIERNIPPEL
18	13703922	HYDR. SLANGE Ø3/4" X 2250 MM	HYDR. HOSE.	HYDR. SCHLAUCH
19	646344	HYDR. RØR Ø22 X 2000 MM	HYDR. PIPE	HYDR. ROHR
19	13361700	SKRERERING 22 MM	CLAMPING RING	SCHNEIDRING
19	13436700	RØRMØTRIK M30 X 2.0 MM	PIPE NUT	ROHRMÜTTER
20	13461700	FITTING 3/4" BSP/Ø22 MM	CONNECTOR	ANSCHLUSS
21	13257300	PAKNINGSRING Ø3/4" (27.0X35.0X2.5)	SEAL RING	DICHTRING
22	13760610	HYDR. SLANGE Ø1/2" X 1050 MM	HYDR. HOSE	HYDR. SCHLAUCH
23	13404300	VINKEL 1/2" BSP X 1/2" BSP X	ELBOW	WINKEL
24	13762422	HYDR. SLANGE Ø1/2" X 2250 MM	HYDR. HOSE	HYDR. SCHLAUCH
25	661600	HYDR. RØR Ø15 X 2800	HYDRAULIC PIPE	HYDRAULIKROHR
26	13481800	RØRHOLDER 15 MM	PIPE HOLDER	ROHRHALTER
27	14255300	UNBRACO MC 6 X 25 MM	UNBRACO SCREW	UNBRACOSCHRAUBE
28	13461000	FITTING 1/2" BSP/Ø15 MM	CONNECTOR	ANSCHLUSS
29	13415100	HYDR. MUFFE 1/2" X 1/4" BSP	HYD. STRAIGHT CONNECTOR	HYDR. ANSCHLUSS
30	13410800	HYD. T-STYKKE 1/4" X 1/4" X 1/4"BSP	HYDR. T-PIECE	HYDR. T-STUECK
31	13416200	HYDR. MUFFE 1/4" BSP	HYD. STRAIGHT CONNECTOR	HYDR. ANSCHLUSS
32	12531000	HYDR. EL-KONTAKT 38 BAR	HYDR. ELECTRIC SWITCH	HYDR. EL.-SCHALTER
33	13405200	VINKEL 1/4"-90GR. OMLØBER+UDV.	ELBOW,SCREW CAP+OUTS.T.	WINKEL, UE.-M.+AUS.GEW.
34	13750300	HYDR. SLANGE Ø1/4" X 1250 MM	HYDR. HOSE	HYDR. SCHLAUCH
35	13425400	HYDR. BRYSTNIPPEL 1/4" X 1/4"K BSPT	HYDR. ADAPTOR	HYDR. REDUZIERNIPPEL
36	350300	BREMSECYLINDER E30 SLAGLÆNGDE=65 MM	BRAKE RAM	BREMSEZYLINDER
37		SIDE 13.0	PAGE 13.0	SEITE 13.0



6,5T - 7,5T - BT/BTS



Cylinder 1001-1002

Cylinder 1001-1002

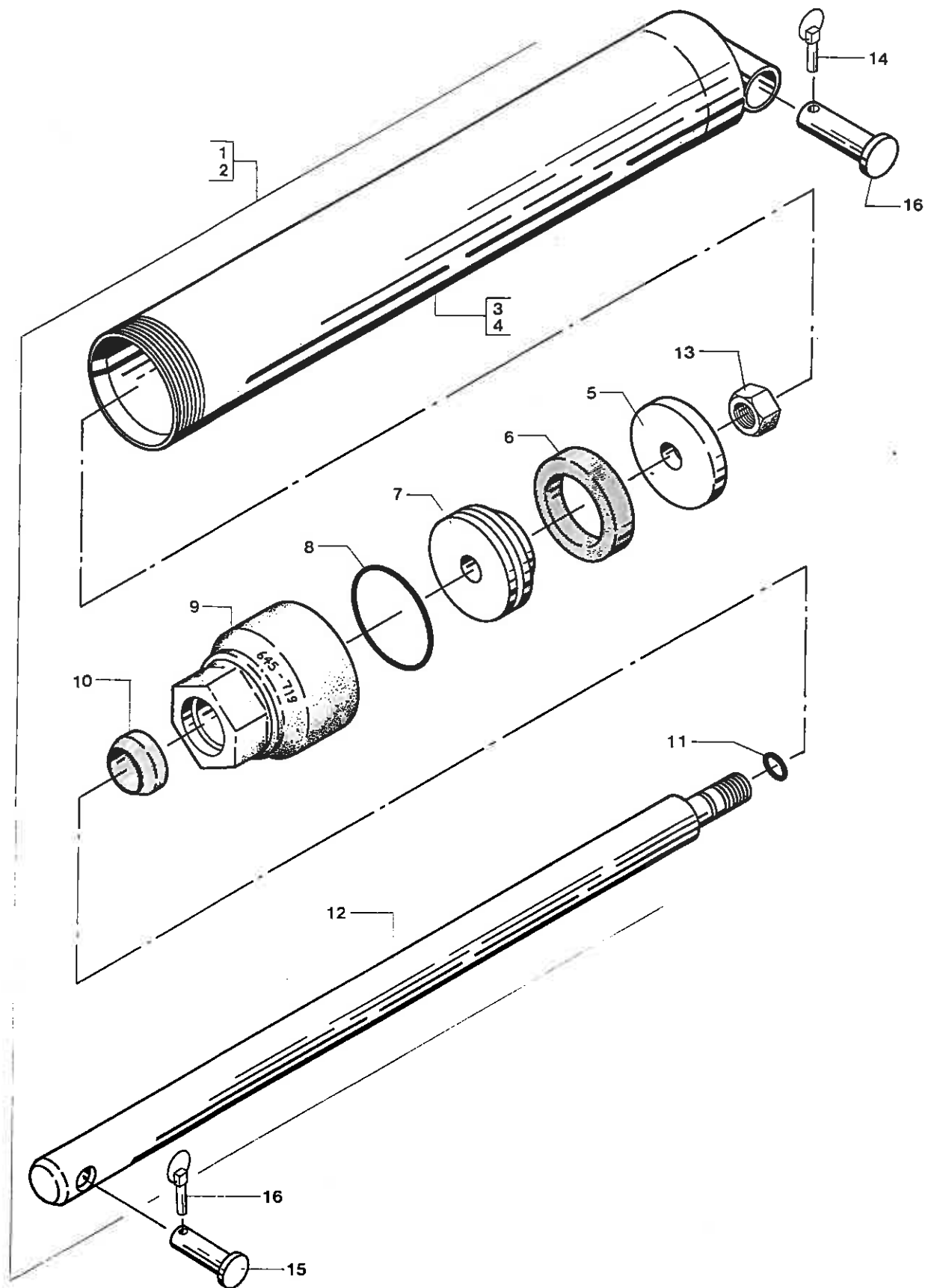
Zylinder 1001-1002

646010	6,5T-BT-14.0/65X16-14 PLY 1001 1002	6,5T-BT 14.0/65X16-14 P	6,5T-BT 14.0/65X16-14 P
646011	7,5T-BT BOGIE 12.5/80X15.3-12 PLY 1001 1002	7,5T-BT BOGIE 12.5/80X1	7,5T-BT TANDEM 12.5/80X
646012	6,5T-BT INDREG.-14.0/65X16-14 STÅL 1001 1002	6,5T-BT W/BRAKES 14.0/6	6,5T-BT M/BREMSE 14.0/6
646013	7,5T-BT, INDREG.-12.5/80X15.3-12 ST 1001	7,5T-BT W/BRAKES 12.5/8	7,5T-BT M/BREMSE 12.5/8
646015	6.5T-BTS 14.0/65X16-14 PLY 1001 1002	6.5T-BTS 14.0/65X16-14	6.5T-BTS 14.0/65X16-14
646016	7.5T-BTS BOGIE 11.5/80X15.3-10 PLY 1001 1002	7.5T-BTS BOGIE 11.5/80X	7.5T-BTS TAND. 11.5/80X

1 350508	CYL. E100/45-872/1482 F/3.5-7.5T-BT	CYLINDER	ZYLINDER
2 350509	PAKNINGSSET F. E100/45 F. 350-508	GASKET SET	DICHTSATZ
3 350618	CYLINDERRØR Ø110/Ø100 X 670 MM	CYLINDER TUBE	ZYLINDERROHR
4 14408610	STÅLMØTRIK UNF 1"	STEEL NUT	STAHLMUTTER
5 801097	SKIVE FOR MANCHETHOLDER Ø99/Ø25.5X8	WASHER F/OIL SEAL HOLD.	SCHEIBE F/MANSCH.HALTER
6 13348400	NUTRING 100 X 80 X 12 MM	OIL SEAL	MANSCHETTE
7 351523	NUTRINGSHOLDER F. E.Ø100	SLEEVE HOLDER	HALTER F/MANSCHETTE
8 13318800	O-RING Ø89.1 X 5.7 MM	O-RING	O-RING
9 645719	TOPMØTRIK M110/Ø45 MM	TOP NUT	KOPFMUTTER
10 13387800	AFSTRYGGER 45 X 55 X 7/10 MM	WIPER	ABSTREIFER
11 13312000	O-RING Ø19.2 X 3 MM	O-RING	O-RING
12 645713	STEMPELSTANG Ø45 X 840 MM	PISTON ROD	KOLBENSTANGE
13 645794	NAGLE Ø30-132/148	PIN	NAGEL
14 14538900	TRAKTORSPLIT Ø9.5 MM	LINCH PIN	SICHERUNGSSPLINT
15 491366	NAGLE FOR TRÆK Ø25 X 85 MM	PIN F/DRAWBAR	NAGEL F/ZUG
16 14538700	TRAKTORSPLIT Ø8 MM	LINCH PIN	SICHERUNGSSPLINT



6,5T - 7,5T - BT/BTS

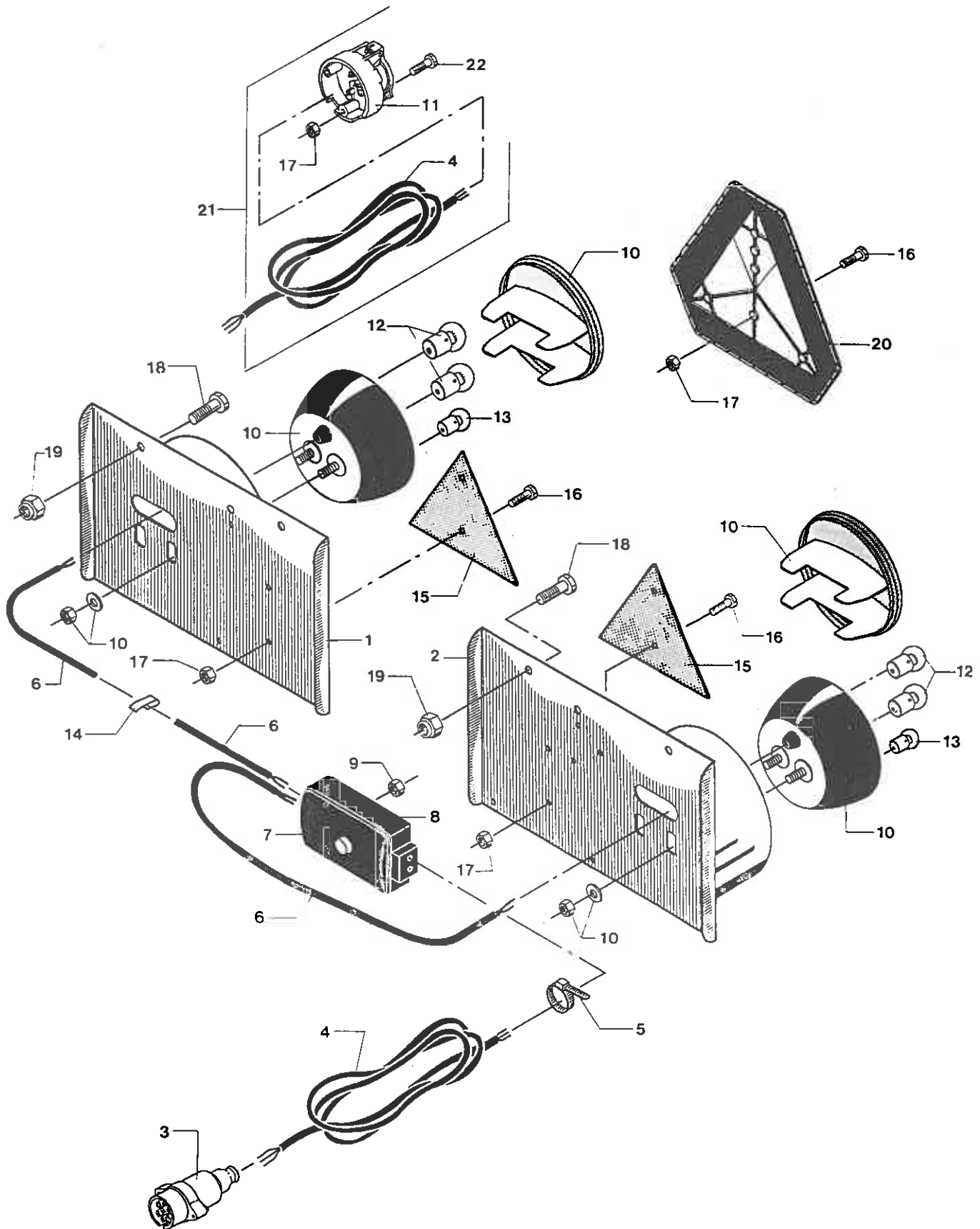


Cylinder 1003	Cylinder 1003	Zylinder 1003
646010	6,5T-BT-14.0/65X16-14 PLY 1003	6,5T-BT 14.0/65X16-14 P 6,5T-BT 14.0/65X16-14 P
646011	7,5T-BT BOGIE 12.5/80X15.3-12 PLY 1003	7,5T-BT BOGIE 12.5/80X1 7,5T-BT TANDEM 12.5/80X
646015	6.5T-BTS 14.0/65X16-14 PLY 1003	6.5T-BTS 14.0/65X16-14 6.5T-BTS 14.0/65X16-14
646016	7.5T-BTS BOGIE 11.5/80X15.3-10 PLY 1003	7.5T-BTS BOGIE 11.5/80X 7.5T-BTS TAND. 11.5/80X

1 646297	H. CYLINDER KPL. E100/45-1090/1929	RH CYLINDER CPL	R. ZYLINDER KPL
1 350509	PAKNINGSSÆT F. E100/45 F. 350-508	GASKET SET	DICHTSATZ
2 646298	V. CYLINDER KPL. E100/45-1090/1929	LE CYLINDER CPL	L. ZYLINDER KPL
2 350509	PAKNINGSSÆT F. E100/45 F. 350-508	GASKET SET	DICHTSATZ
3 646295	HØJRE CYLINDERRØR Ø110/Ø100x910 MM	RH CYLINDER TUBE	R. ZYLINDERROHR
4 646296	VENSTRE CYLINDERRØR Ø110/Ø100x910MM	RL CYLINDER TUBE	L. ZYLINDERROHR
5 801097	SKIVE FOR MANCHETHOLDER Ø99/Ø25.5X8	WASHER F/OIL SEAL HOLD.	SCHEIBE F/MANSCH.HALTER
6 13348400	NUTRING 100 X 80 X 12 MM	OIL SEAL	MANSCHETTE
7 351523	NUTRINGSHOLDER F. E.Ø100	SLEEVE HOLDER	HALTER F/MANSCHETTE
8 13318800	O-RING Ø89.1 X 5.7 MM	O-RING	O-RING
9 645719	TOPMØTRIK M110/Ø45 MM	TOP NUT	KOPFMUTTER
10 13387800	AFSTRYGGER 45 X 55 X 7/10 MM	WIPER	ABSTREIFER
11 13312000	O-RING Ø19.2 X 3 MM	O-RING	O-RING
12 667110	STEMPELSTANG Ø45 X 1070 MM	PISTON ROD	KOLBENSTANGE
13 14408610	STÅLMØTRIK UNF 1"	STEEL NUT	STAHLMUTTER
14 471690	NAGLE Ø30/Ø9 X 163 MM	PIN	NAGEL
15 491366	NAGLE FOR TRÆK Ø25 X 85 MM	PIN F/DRAWBAR	NAGEL F/ZUG
16 14538900	TRAKTORSPLIT Ø9.5 MM	LINCH PIN	SICHERUNGSSPLINT



6,5T-7,5T-BT/BTS

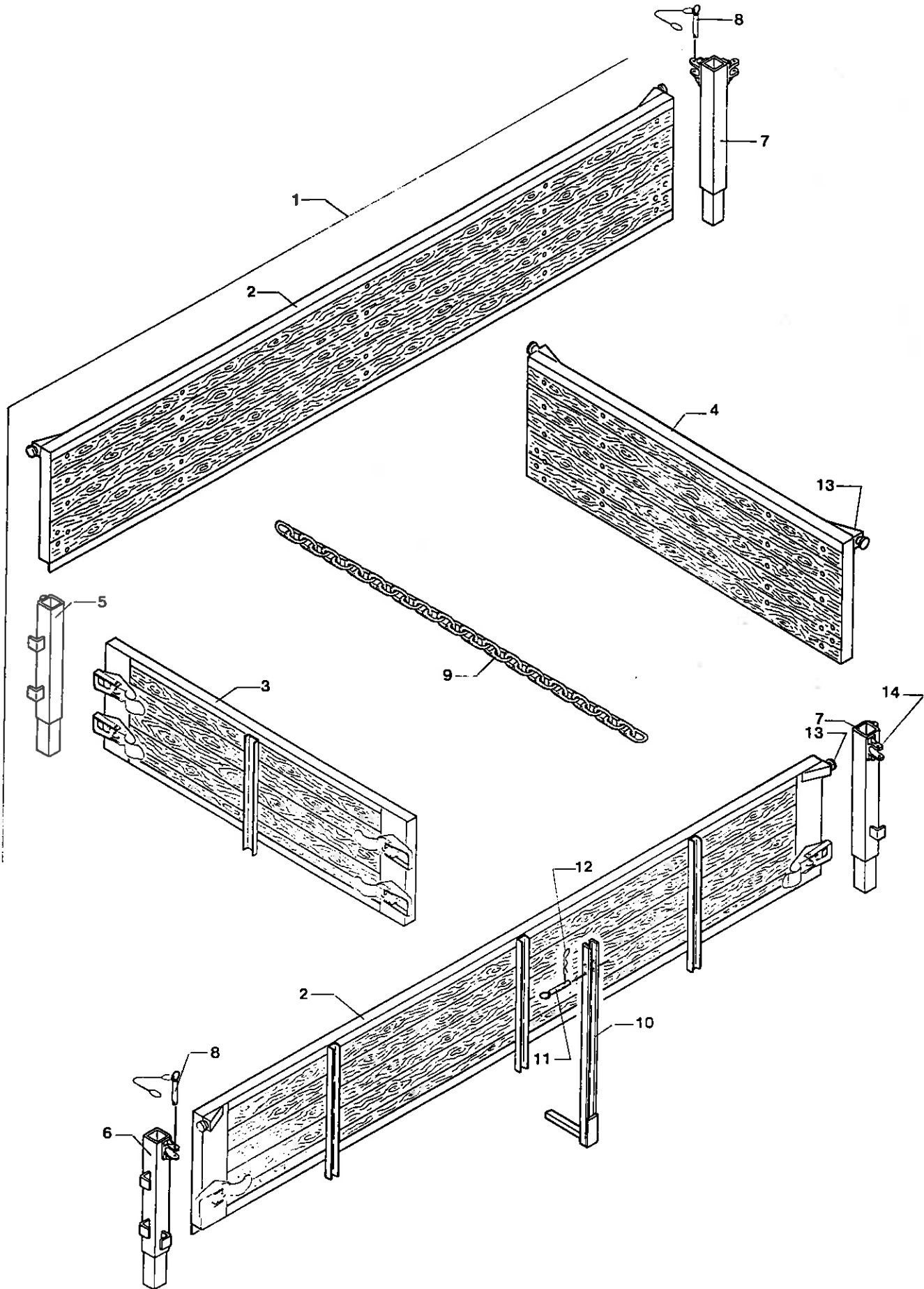


Lysanlæg	Traffic lights	Beleuchtung	
646010	6,5T-BT-14.0/65X16-14 PLY 1001 1002 1003	6,5T-BT 14.0/65X16-14 P	6,5T-BT 14.0/65X16-14 P
646011	7,5T-BT BOGIE 12.5/80X15.3-12 PLY 1001 1002 1003	7,5T-BT BOGIE 12.5/80X1	7,5T-BT TANDEM 12.5/80X
646012	6,5T-BT INDREG.-14.0/65X16-14 STÅL 1001 1002	6,5T-BT W/BRAKES 14.0/6	6,5T-BT M/BREMSE 14.0/6
646013	7,5T-BT, INDREG.-12.5/80X15.3-12 ST 1001	7,5T-BT W/BRAKES 12.5/8	7,5T-BT M/BREMSE 12.5/8
646015	6.5T-BTS 14.0/65X16-14 PLY 1001 1002 1003	6.5T-BTS 14.0/65X16-14	6.5T-BTS 14.0/65X16-14
646016	7.5T-BTS BOGIE 11.5/80X15.3-10 PLY 1001 1002 1003	7.5T-BTS BOGIE 11.5/80X	7.5T-BTS TAND. 11.5/80X

1 491306	LYSPLADE HØJRE	LIGHT PLATE RH	LICHTPLATTE R.
2 491307	LYSPLADE VENSTRE	LIGHT PLATE LH	LICHTPLATTE L.
2 500296	LYSPLADE VENSTRE INDR.	LIGHT PLATE LH REG.	LICHTPLATTE I. GEN.
3 12516600	HANSTIK 7-POLET	PLUG SOCKET	STECKER
4 12504900	PVC-KABEL 0.75 KVD. 7-LEDET	PVC-CABLE	PVC-KABEL
5 12526700	KABELBÅND 170 MM LANG	CABLE BAND	KABELBAND
6 12504600	PVC-KABEL 0.75 KVD. 4-LEDET	PVC-CABLE	PVC-KABEL
7 12533301	SE 125-33300	SEE 125-33300	SIEHE 125-33300
8 12533300	SAMLEDÅSE 6-LEDET	CONDUIT BOX	SAMMELDOSE
9 14410100	MØTRIK M5	NUT	MUTTER
10 12552000	BAGLYGTE U/NUMMERPL. LYS Ø140	REAR LIGHT WO/NU.PL.LI.	SCHLUSSLATERNE O/NR.LI.
10 12527800	LYGTEGLAS TIL 125-52000/52200	LAMP LENS	LATERNEGLAS
11 12515600	HUNSTIK 7-POLET	SOCKET	STECKDOSE
12 12517800	EL-PÆRE 12498 (12V 21W)	BULB	EL. BIRNE
13 12519400	EL-PÆRE 12821 (12V 5W)	BULB	EL. BIRNE
14 12526000	CHASSISKLEMMER	CHASSIS CLAMP	GESTELLKLEMME
15 12550600	REFLEKTREKANT LILLE - RØD	TRIANGLE REFL. SM., RED	REFLEXDREIECK KLEIN, ROT
16 14183500	JERNMASKINSKRUE M5 X 16 MM	SCREW	SCHRAUBE
17 14410100	MØTRIK M5	NUT	MUTTER
18 14087400	SETSCHRUE GROV M10 X 20 MM	SET SCREW	SETZSCHRAUBE
19 14430500	LÅSEMØTRIK M10	LOCK NUT	GEGENMUTTER
20 12550651	REFLEKTREKANT STOR - RØD (PLAST)	REFL. TRIANGLE BIG. RED	REFLEXDREIECK GROSS. ROT
21 500130	TRAFIKLYSTILSLUTNING F. EKSTRA VOGN	LIGHT CONN.SET/EXT.TRA.	LICHTANSCHL.-SATZ F/ANH
22 14183700	JERNMASKINSKRUE CYL. M5 X 35 MM	SCREW	SCHRAUBE



6,5T-7,5T-BT



Kornsider 60 cm (BT)

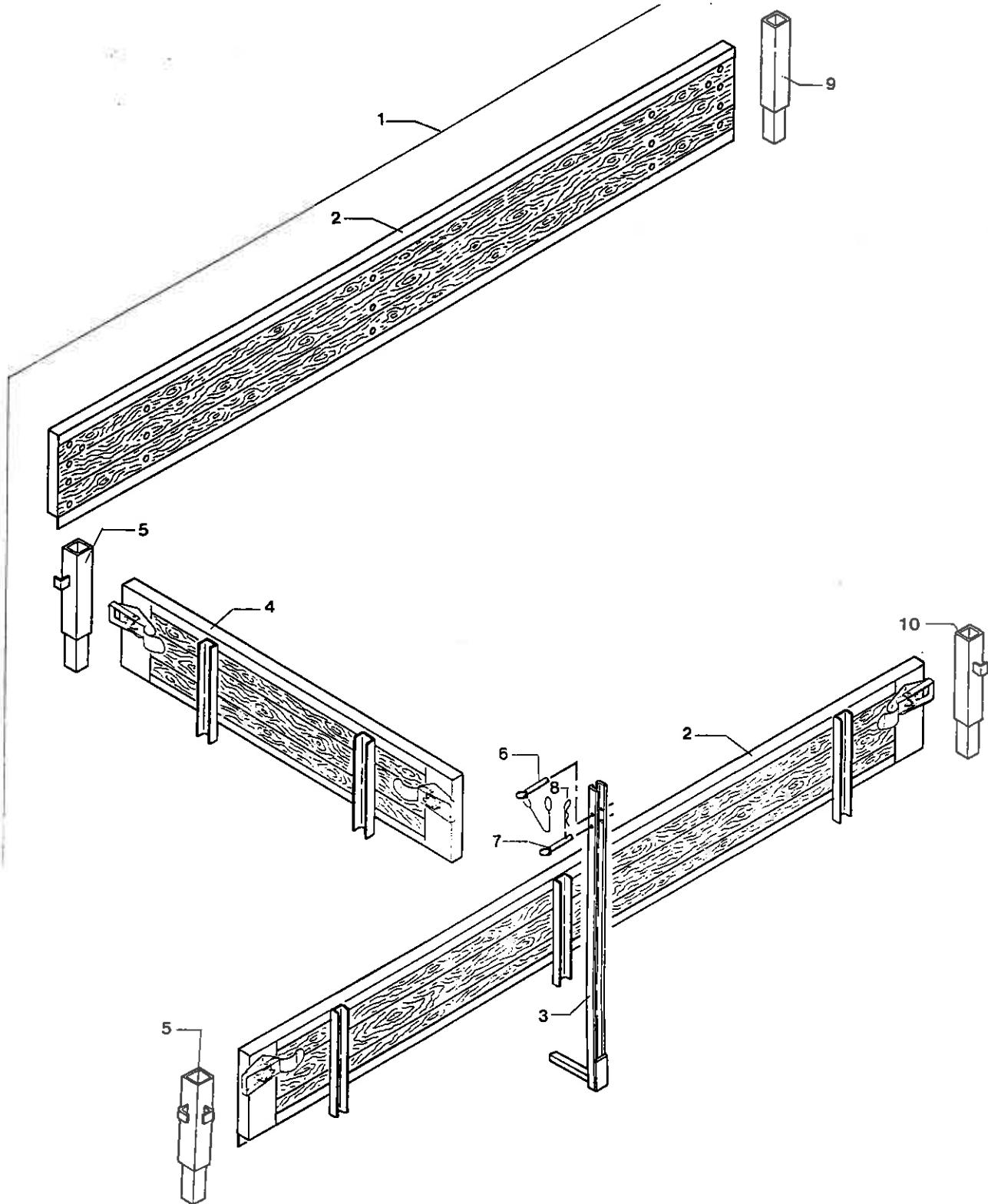
Grainsides 60 cm (BT)

Getreideseiten 60 cm (BT)

1 645865	KORNSIDER, 60 CM 6,5T/7,5T-BT	* GRAINSIDES 60CM	GETREIDESEITEN 60 CM
2 665517	KORNSIDE 60 CM 6.0T-SBT/6.5T-BT	GRAINSIDE	GETREIDEWAND
2 639521	BUNDSKINNE F. KORNSIDE 2X125X1947MM	BOTTOM RAIL/GRAINSIDE	BODENSCHIENE/GETR.SEITE
2 639522	BUNDSKINNE F. KORNSIDE 2X125X1947MM	BOTTOM RAIL/GRAINSIDE	BODENSCHIENE/GETR.SEITE
3 639811	KORNFORGAVL KPL. 6.6T-7.5T-LT	GRAIN HEADBOARD CPL	GETREIDEVORDERWAND KPL
3 639525	BUNDSKINNE F.KORNBAGGAVL 2X125X2095	BOTTOM RAIL/GRAIN TAILB	BODENSCHIENE/GETR.HI.W
4 639810	KORNBAGGAVL KPL. 6.6T-7.5T-LT	GRAIN TAILBOARD CPL	GETREIDEHINTERWAND KPL
4 639525	BUNDSKINNE F.KORNBAGGAVL 2X125X2095	BOTTOM RAIL/GRAIN TAILB	BODENSCHIENE/GETR.HI.W
5 672307	FORRESTE HJØRNESTOLPE HØJRE 60 CM	FRONT RH CORNER POST	VORD. ECKPFOSTEN R.
6 672306	FORRESTE HJØRNESTOLPE VENSTRE 60 CM	FRONT LH CORNER POST	VORD. ECKPFOSTEN L.
7 672301	BAGESTE HJØRNESTOLPE 60 CM	REAR CORNER POST	HINT. ECKPFOSTEN
8 639408	ØJEBOLT M/WIRE KPL.	EYE BOLT W/WIRE CPL	AUGENBOLZEN M/DRAHT KPL
9 15321027	KRANKÆDE KORTL.6 X 2738 MM(148 LED)	CRANE CHAIN, SHORT LIN.	KRANKETTE, KURZGLIED
10 645868	SIDESTIVER F. 60 CM KORN -BT	SIDE SUPPORT F. GRAINS.	SEITENSTÜT. F. GETR.-S.
11 501503	ØJEBOLT Ø6 X 65 MM M/Ø2.5 HUL	EYE BOLT	AUGENBOLZEN
12 14535100	HÅRNÅLESPLIT Ø2 MM	CLEVIS PIN	SPLINT
13 2682905	HÆNGSELTAP	HINGE STUD	SCHARNIERZAPFEN
14 670616	HÆNGSELGAPFEL	HINGE CLEVIS	SCHARNIERGABEL



6,5T - 7,5T - BT



Kornsider 40 cm (BT)

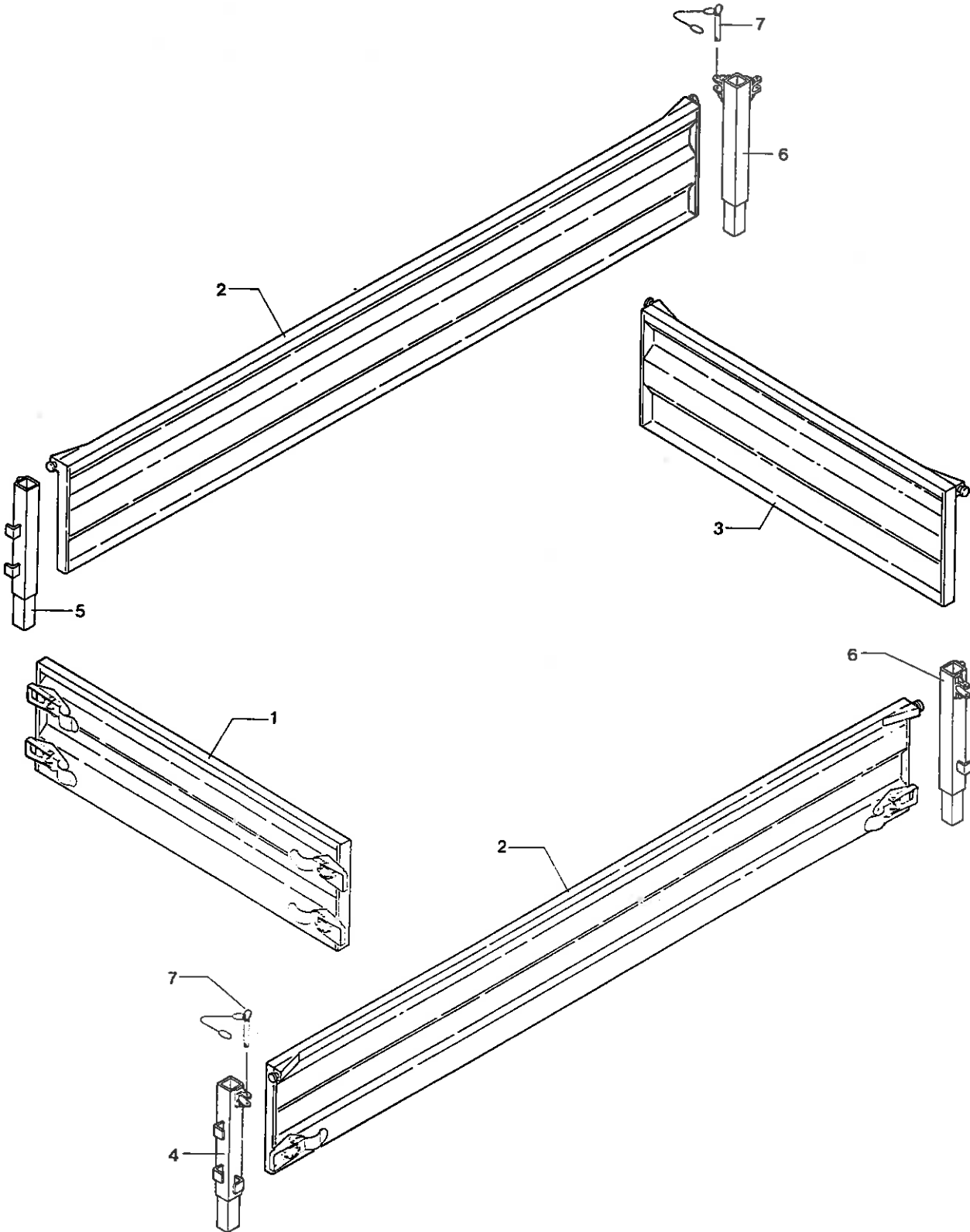
Grainsides 40 cm (BT)

Getreideseiten 40 cm (BT)

1 645870	EKSTRA SIDER F. GRØNTTR. 7,5T-BT *	EXTENSION S. F. FORAGE	AUFSATSWAENDE F. GRÜNF.
2 645871	GRØNTSIDE 40 CM	FORAGE SIDE	GRÜNSEITE
2 639521	BUNDSKINNE F. KORNSIDE 2X125X1947MM	BOTTOM RAIL/GRAINSIDE	BODENSCHIENE/GETR. SEITE
2 639522	BUNDSKINNE F. KORNSIDE 2X125X1947MM	BOTTOM RAIL/GRAINSIDE	BODENSCHIENE/GETR. SEITE
3 645872	SIDESTØTTE L=1485 MM	SIDE SUPPORT	SITENSTUETZE
4 500132	GRØNTFORGAVL 40 CM 6.6-7.5T-LT	FORAGE HEADBOARD	GRUENVORDERWAND
4 639525	BUNDSKINNE F. KORNBAGGAVL 2X125X2095	BOTTOM RAIL/GRAIN TAILB	BODENSCHIENE/GETR. HI. W
5 671104	BAGESTE HJØRNESTOLPE HØJRE+VENSTRE	REAR RH+LH CORNER POST	HINT. ECKPFOSTEN R.+ L.
6 639408	ØJEBOLT M/WIRE KPL.	EYE BOLT W/WIRE CPL	AUGENBOLZEN M/DRAET KPL
7 501503	ØJEBOLT Ø6 X 65 MM M/Ø2.5 HUL	EYE BOLT	AUGENBOLZEN
8 14535100	HÅRNÅLESPLIT Ø2 MM	CLEVIS PIN	SPLINT
9 646565	BAG. H. HJØRNESTOLPE F. 40CM KORNS.	RE. CORN. POST RH/GR.S.	HINT.ECKPFO. R/GETR.SE.
10 646566	BAG. V. HJØRNESTOLPE F. 40CM KORNS.	RE. CORN. POST LH/GR.S.	HINT.ECKPFO. L/GETR.SE.



6,5T - 7,5T - BTS



1:

Kornsider 60 cm (BTS)

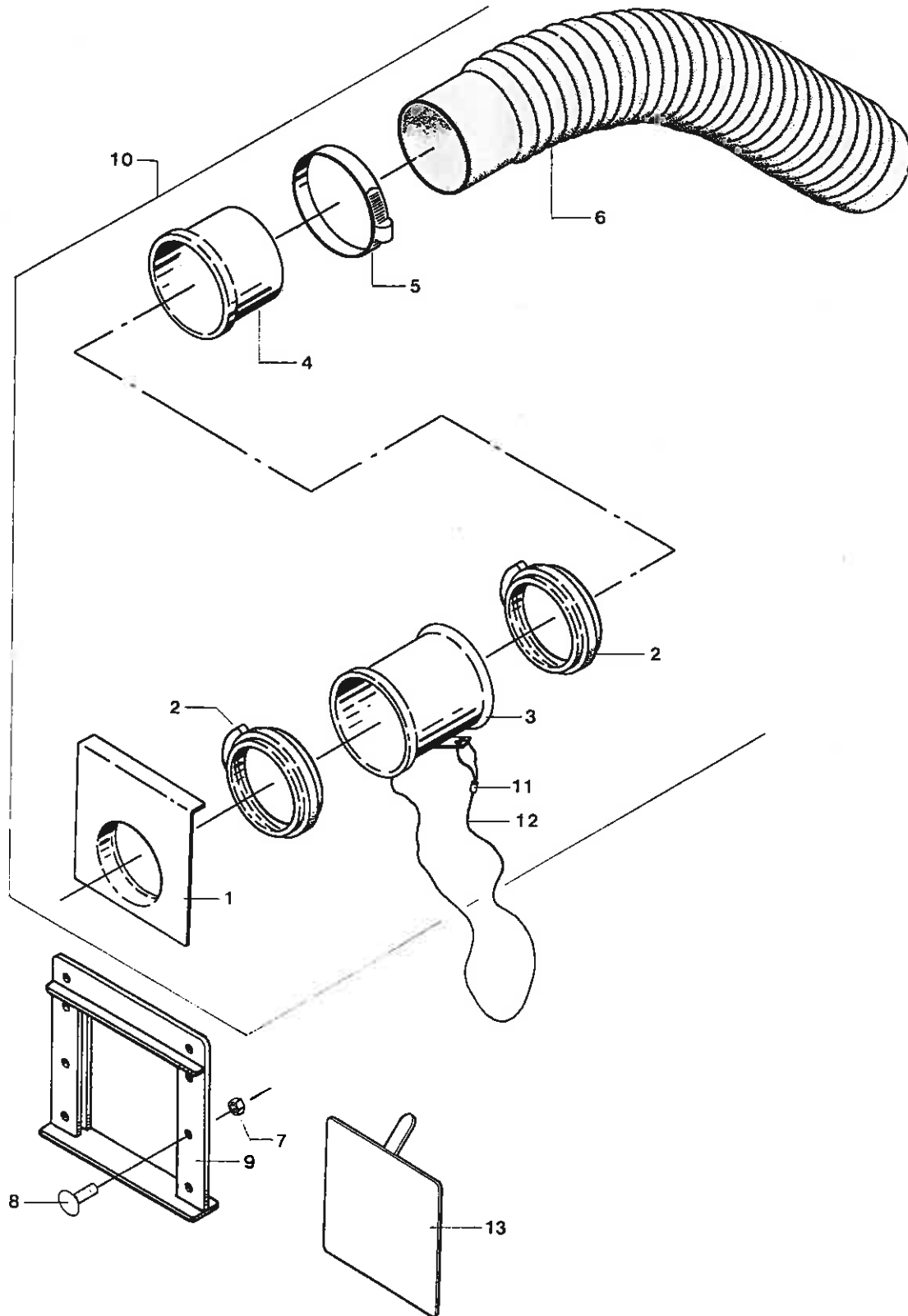
Grainsides 60 cm (BTS)

Getreideseiten 60 cm (BTS)

1 646027	KORNFORGAVL 6.5T - 7.5T-BTS	GRAIN HEADBOARD	GETREIDEVORDERWAND
2 646029	KORNSIDE 6.5T - 7.5T-BTS	GRAINSIDE	GETREIDESEITE
3 646031	KORNBAGGAVL 6.5T - 7.5T-BTS	GRAIN TAILBOARD	GETREIDEHINTERWAND
4 672306	FORRESTE HJØRNESTOLPE VENSTRE 60 CM	FRONT LH CORNER POST	VORD. ECKPFOSTEN L.
5 672307	FORRESTE HJØRNESTOLPE HØJRE 60 CM	FRONT RH CORNER POST	VORD. ECKPFOSTEN R.
6 672301	BAGESTE HJØRNESTOLPE 60 CM	REAR CORNER POST	HINT. ECKPFOSTEN
7 639408	ØJEBOLT M/WIRE KPL.	EYE BOLT W/WIRE CPL	AUGENBOLZEN M/DRAHT KPL



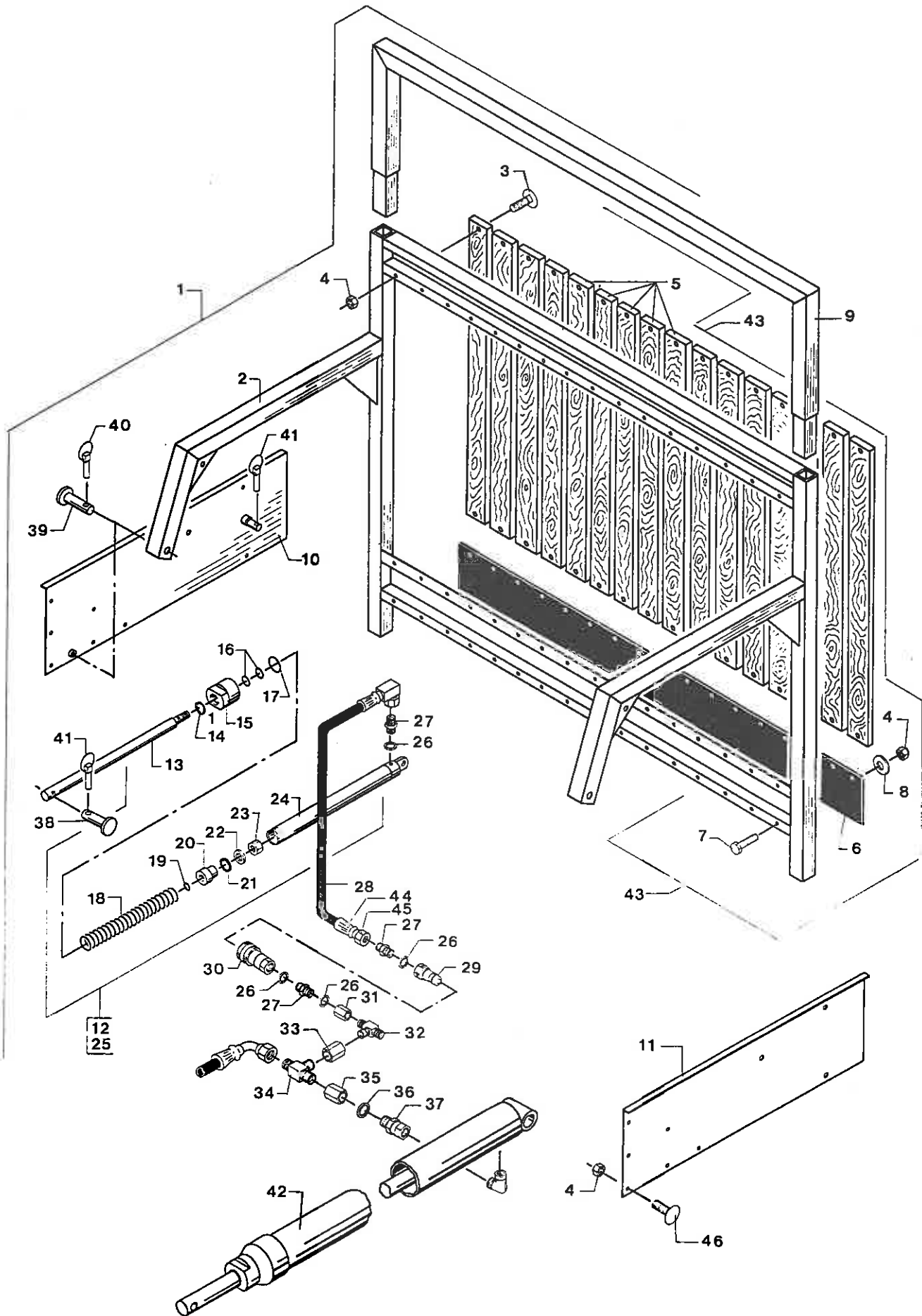
6,5T - 7,5T - BT/BTS



Kornudstyr	Grain equipment	Getreideausrüstung	
1 665518	RØRPLADE F. FYLDNINGSUDSTYR KPL.	PIPE PLATE CPL/FILL.EQ.	ROHRPLATTE KPL/FÜLLAUS.
2 14881000	OK LYNKOBLING KONGSKILDE	QUICK COUPLING	ANSCHLUSS
3 14881200	FJEDERBEJENT LUKKESPJÆLD KONGSK.	THROTTLE, SPRING OPER.	ZUREGLER, FEDERBEDIENT
4 14881400	OK STUDS MØK TIL ENDE-KBL KONGSK.	STUD F/END COUPLING	STUTZEN F/ENDANSCHLUSS
5 14879200	SPÆNDEBÅND 155-180 MM	CLIP	SPANNBAND
6 12637012	SLANGE M. SPIRAL Ø155/150/155X1200	HOSE W/SPIRAL	SCHLAUCH M/SPIRALE
7 14410400	MØTRIK M8	NUT	MUTTER
8 14322100	BRÆDEBOLT M8 X 40 MM	CARRIAGE BOLT	BOLZEN
9 647004	RAMME FOR KORNLUGE	FRAME	RAHMEN
10 667009	UDSTYR FOR FYLDNING AF SÅMASKINE *	LOADING EQ. F/SOWING M.	FÜLLAUSRÜST. F/SAEMA.
11 14850300	WIREKLEMMER 3 MM	WIRE CLIP	DRAHTKLEMME
12 15330100	WIRE PVC OVERTRUKKET 1.3 MM/2.3 MM	WIRE, PVC COATED	STAHLDRAHT, PVC-UEBERZ.
13 647005	KORNLUGE	GRAIN HATCH	GETREIDEKLAPPE



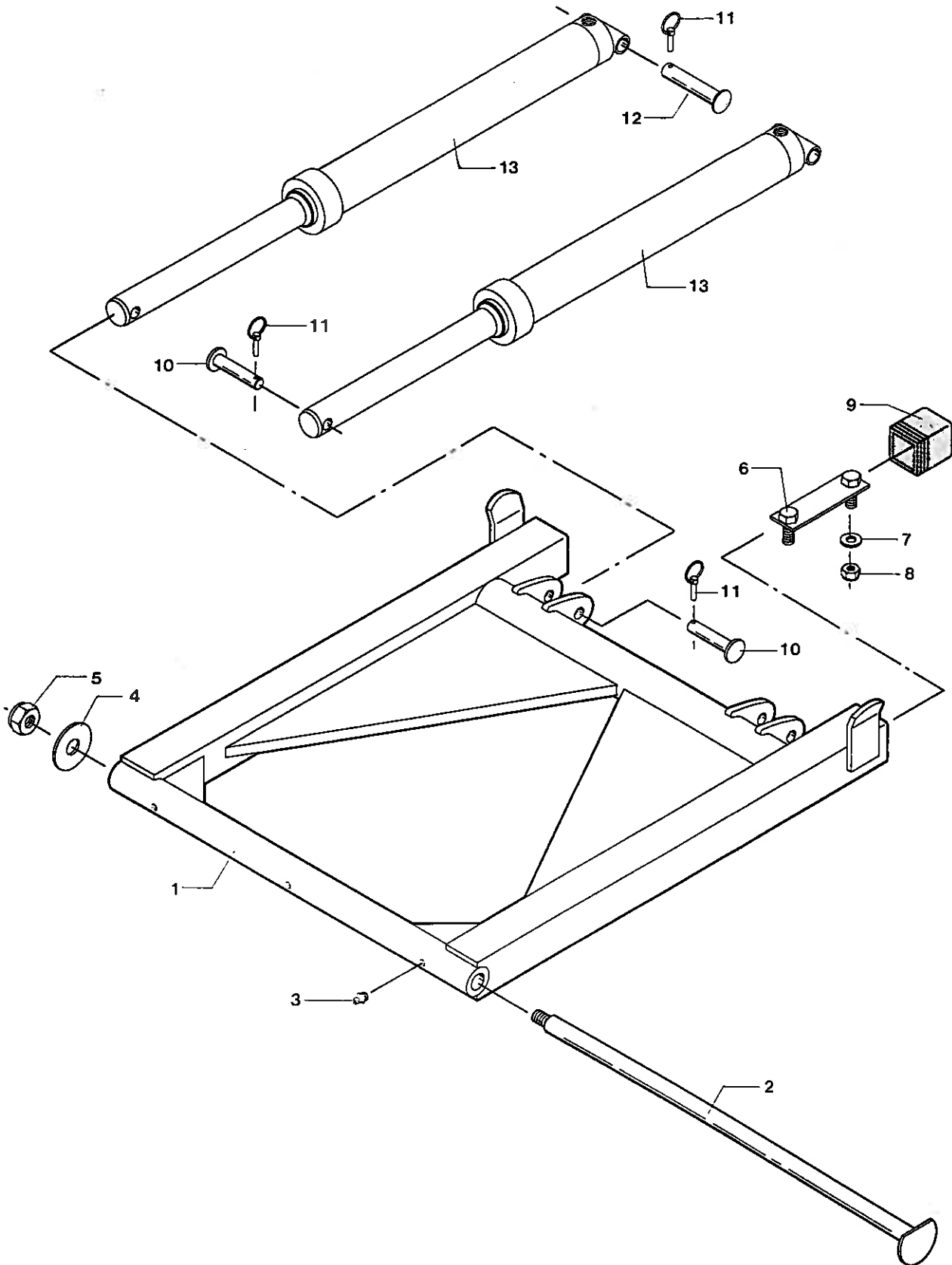
6,5T-7,5T-BT/BTS



Hydr. baggavl (BT)	Hydr. tailgate (BT)	Hydr. Hinterklappe (BT)
1 500117	HYDR. BAGSMÆK F. GRØNTS.	* HYDR. TAILGATE/FOR.SI.
2 500121	RAMME F. HYDR. BAGGAVL	FRAME F/HYDR. TAILGATE
3 14321900	BREDDEBOLT M8 X 30 MM	CARRIAGE BOLT
4 14410400	MØTRIK M8	NUT
5 500280	TRE FOR BAGGAVL 20 X 95 X 1200 MM	WOOD F/TAILOBOARD
6 500282	GUMMITÆTNING F. BAGGAVL 6X230X1990	RUBBER SEAL F/TAILOBOARD
7 14085300	SETSKRUE GROV M8 X 16 MM	SET SCREW
8 14482800	SPEC. SKIVE 35 X 8.5 X 3 MM	SPECIAL WASHER
9 500143	BØJLE F. GRØNTBAGGAVL 2200 MM	BOW F/FORAGE TAILBOARD
10 500146	H. SIDEPLADE F/HYDR. GRØNTBAGGAVL	RH SIDE PL. F/HY.TAILB.
11 500145	V. SIDEPLADE F/HYDR. GRØNTBAGGAVL	LH SIDE PL. F/HY.TAILB.
12 350522	KPL. HYDR. CYLINDER E-42/30-655/940	HYDR. CYLINDER CPL
13 351543	STEMPELSTANG Ø30 X 605 MM	PISTON ROD
14 13387000	AFSTRYGGER 30 X 40 X 7/10 MM	WIPER
15 491592	TOPMØTRIK Ø50	TOP NUT
16 13314000	O-RING Ø29.75 X 3.53 MM	O-RING
17 13315600	O-RING Ø49.2 X 5.7 MM	O-RING
18 14776000	TRYKFEJEDER Ø5 X UDV. Ø40 X 390 MM	COMPRESSION SPRING
19 13311500	O-RING Ø15.6 X 1.78 MM	O-RING
20 351519	MANCHETHOLDER - ENK. Ø42/Ø20 X 30MM	SLEEVE HOLDER
21 13345100	NUTRING 42 X 30 X 10 MM	OIL SEAL
22 443762	SKIVE FOR Ø42 CYL.	DISC
23 14413310	MØTRIK MF20 X 1 MM	NUT
24 350521	CYLINDERRØR M/BUNDSTK. Ø50/42 X 490	CYL. PIPE W/BASE PCE
25 350523	PAKNINGSSET E42/30	GASKET SET
26 13257000	PAKNINGSRING Ø1/4" (13.7X20.6X2.1)	SEAL RING
27 13425300	HYDR. BRYSTNIPPEL 1/4" X 1/4" BSP	HYDR. ADAPTOR
28 13510145	HYDR. SLANGE Ø1/4" X 4500 MM	HYDR. HOSE
29 13765000	LYNKOBLING HAN 1/4"	QUICK COUPLING MALE
30 13765100	LYNKOBLING HUN 1/4"	QUICK COUPLING FEMALE
31 13416200	HYDR. MUFFE 1/4" BSP	HYD. STRAIGHT CONNECTOR
32 13410800	HYD. T-STYKKE 1/4" X 1/4" X 1/4"BSP	HYDR. T-PIECE
33 13415100	HYDR. MUFFE 1/2" X 1/4" BSP	HYD. STRAIGHT CONNECTOR
34 13411100	HYD. T-STYK. 1/2" X 1/2"K X 1/2"BSP	HYDR. T-PIECE
35 13416500	HYDR. MUFFE 1/2" BSP	HYD. STRAIGHT CONNECTOR
36 13257200	PAKNINGSRING Ø1/2"	SEAL RING
37 13408600	NIPPEL M/OMLØBER 1/2"OML.X1/2" BSP	NIPPLE W/SCREW CAP
38 500148	NAGLE F. GRØNTBAGGAVL Ø16 X 62 MM	PIN F/FORAGE TAILBOARD
39 500149	NAGLE Ø19 X 122 MM	PIN
40 14538500	TRAKTORSPLIT Ø6 MM	LINCH PIN
41 14538100	TRAKTORSPLIT Ø4.5 MM	LINCH PIN
42	SIDE 12.0	PAGE 12.0
43 500119	HYDR. BAGGAVL - STOR M/TREMONT.	HYDR. TAILBOARD, LARGE
44 13471300	KAPPE F. SKRUEKOBL. 1/4" 2 LAG	SCREW COUPLING CAP
45 13468800	INDSTIK F. SKRUEKOBL. 1/4" M/I.GEV.	SCREW COUPLING PLUG
46 14322100	BREDDEBOLT M8 X 40 MM	CARRIAGE BOLT
		HYDR. HINTERKLAPPE
		RAHMEN F/HYDR. HINTERW.
		BOLZEN
		MUTTER
		HOLZ F/HINERWAND
		GUMMIDICHTUNG F/HI-WAND
		SETZSCHRAUBE
		SPEZIALSCHRIEBE
		BUEGEL F/GR.-HINTERWAND
		R. SEITENPL./HY. HI-KL.
		L. SEITENPL./HY. HI-KL.
		HYDR. ZYLINDER KPL
		KOLBENSTANGE
		ABSTREIFER
		KOPFMUTTER
		O-RING
		O-RING
		DRUCKFEDER
		O-RING
		HALTER F/MANSCHETTE
		MANSCHETTE
		SCHEIBE
		MUTTER
		ZYLINDERROHR M/BODENST.
		DICHTSATZ
		DICHTRING
		HYDR. REDUZIERNIPPEL
		HYDR. SCHLAUCH
		HYDR. ANSCHLUSS AUS.G.
		HYDR. ANSCHLUSS INW.G.
		HYDR. ANSCHLUSS
		HYDR. T-STUECK
		HYDR. ANSCHLUSS
		HYDR. T-STUECK
		HYDR. ANSCHLUSS
		DICHTRING
		NIPPEL M/UEBERW.MUTTER
		NAGEL F/GRUENHINTERWAND
		NAGEL
		SICHERUNGSSPLINT
		SICHERUNGSSPLINT
		SEITE 12.0
		HYDR. HINTERWAND, GROSS
		KAPPE F. SCHRAUBENKUP.
		EINSTECK/SCHRAUBENKUP.
		BOLZEN



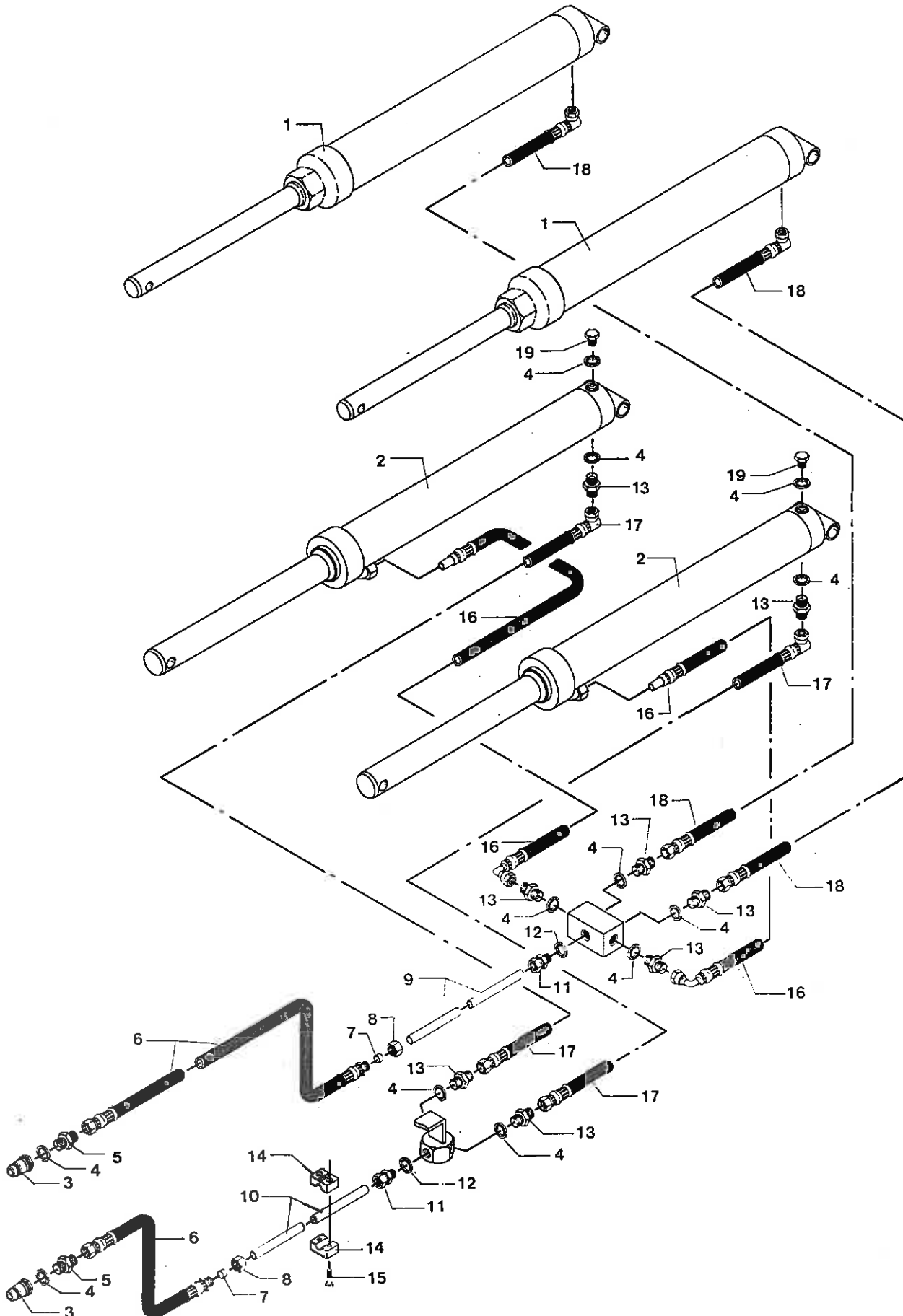
6,5T-7,5T-BT/BTS



Hævekonsol	Lifting bracket	Hebeträger
1 664303	HEVERAMME	LIFTING FRAME
2 664314	NAGLE Ø35 X 1040 MM	PIN
3 13841000	SMØRENIPPEL LIGE MF8 X 1 MM	GREASE NIPPLE STRAIGHT
4 411124	RONDEL Ø102/Ø25 X 6 MM PLADE	CIRCULAR PIECE
5 14431800	LÅSEMØTRIK M24	LOCK NUT
6 664301	BOLTEHOLDER	BOLT HOLDER
7 14463110	CENTERFJEDERSKIVE M20	SPRING WASHER
8 14411400	MØTRIK M20	NUT
9 12640144	PLASTPROP 80 X 80 MM	PLASTIC STOPPER
10 671408	NAGLE Ø25/Ø8 X 105 MM	NAGEL
11 14538700	TRAKTORSPLIT Ø8 MM	LINCH PIN
12 645794	NAGLE Ø30-132/148	PIN
13	SIDE 22.0	PAGE 22.0
		HUBRAHMEN
		NAGEL
		SCHMIERNIPPEL GERADE
		RUNDELL
		GEGENMUTTER
		BOLZENHALTER
		FEDERSCHEIBE
		MUTTER
		KUNSTSTOFFPROPEN
		PIN
		SICHERUNGSSPLINT
		NAGEL
		SEITE 22.0



6,5T-7,5T-BT/BTS



Hydraulik for havekonsol

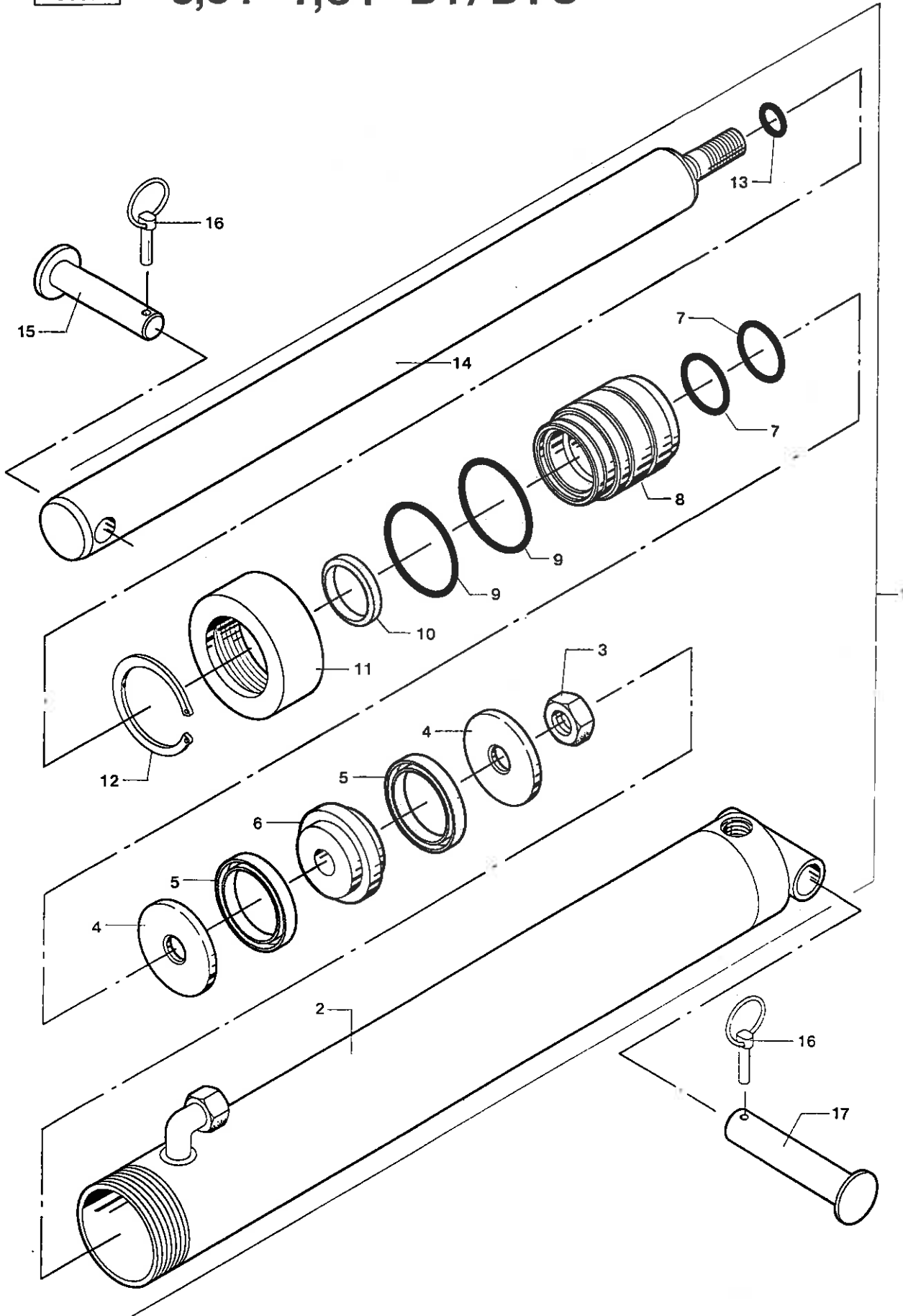
Hydr. f/lift. brack.

Hydr. f/Hebetaeger

1	SIDE 13.01	PAGE 13.01	SEITE 13.01
2	SIDE 22.0	PAGE 22.0	SEITE 22.0
3 13765300	LYNKOBLING HAN 1/2"	QUICK COUPLING MALE	HYDR. ANSCHLUSS AUS.G.
4 13257200	PAKNINGSRING Ø1/2"	SEAL RING	DICHTRING
5 13427700	HYDR. BRYSTNIPPEL 3/4" X 1/2" BSP	HYDR. ADAPTOR	HYDR. REDUZIERNIPPEL
6 13530922	HYDR. SLANGE Ø5/8" X 2250 MM	HYDR. HOSE	HYDR. SCHLAUCH
7 13361600	SKÆRERING 18 MM	CLAMPING RING	SCHNEIDRING
8 13436600	RØRMØTRIK M26 X 1.5 MM	PIPE NUT	ROHRMUTTER
9 664316	HYDR. RØR Ø18 X 3140 MM	HYDR. PIPE	HYDR. ROHR
10 646294	HYDR. RØR Ø18 X 2860 MM	HYDR. PIPE	HYDR. ROHR
11 13461400	FITTING 3/4" BSP/Ø18 MM	CONNECTOR	ANSCHLUSS
12 13257300	PAKNINGSRING Ø3/4" (27.0X35.0X2.5)	SEAL RING	DICHTRING
13 13425600	HYDR. BRYSTNIPPEL 1/2" X 1/2" BSP	HYDR. ADAPTOR	HYDR. REDUZIERNIPPEL
14 13482102	HALVPART F. RØRHOLDER 18 MM	PIPE HOLDER HALF	ROHRHALTER-HALBTEIL
15 14255300	UNBRACO MC 6 X 25 MM	UNBRACO SCREW	UNBRACOSCHRAUBE
16 13524875	HYDR. SLANGE Ø1/2" X 750 MM	HYDR. HOSE	HYDR. SCHLAUCH
17 13760408	HYDR. SLANGE Ø1/2" X 800 MM	HYDR. HOSE	HYDR. SCHLAUCH
18 13522770	HYDR. SLANGE Ø1/2" X 700 MM	HYDR. HOSE	HYDR. SCHLAUCH
19 13431301	HYDR. RØRPROP 1/2" BSP	HYDR. PIPE PLUG	HYDR. ROHRPROFFEN



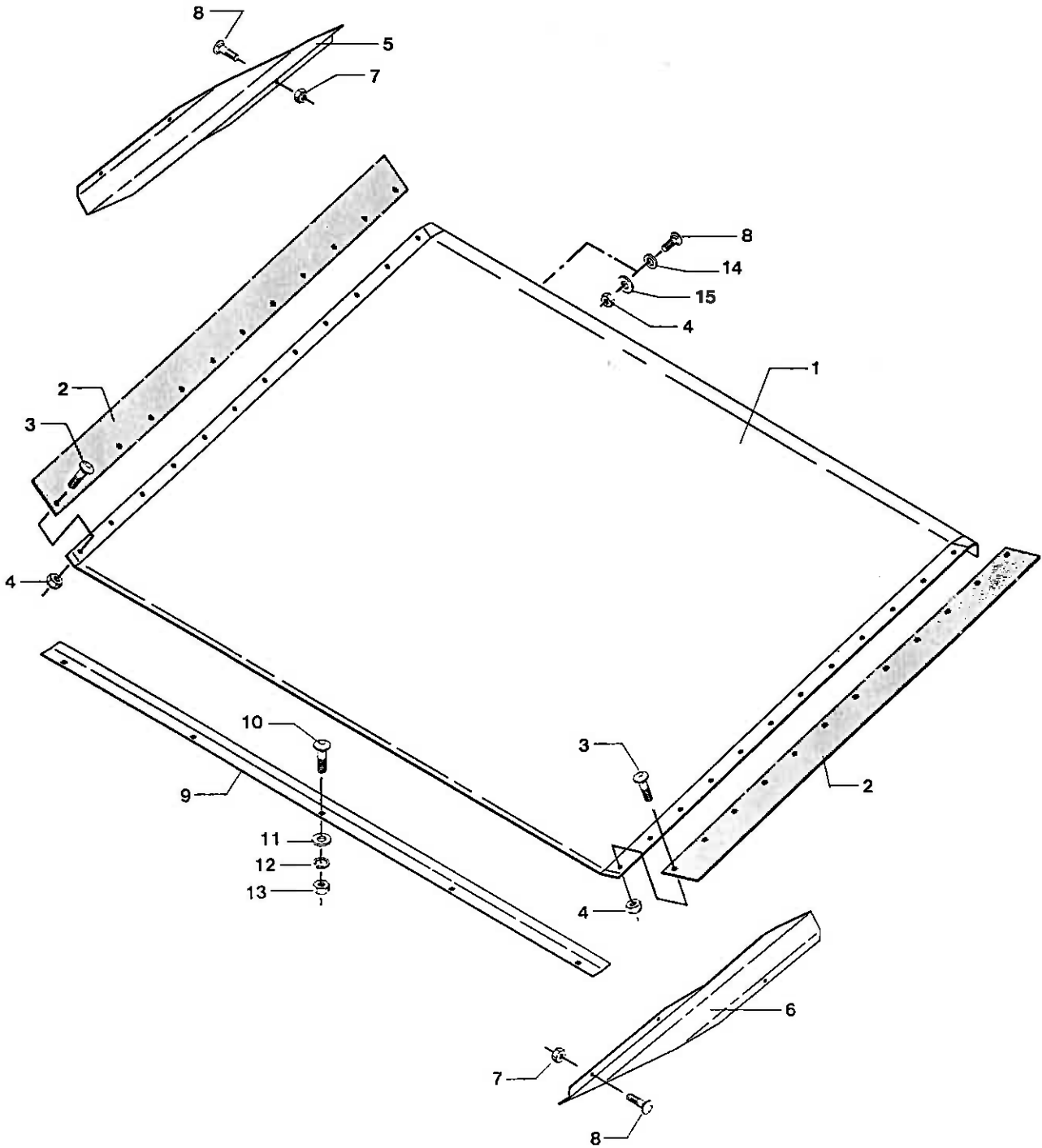
6,5T - 7,5T - BT/BTS



	Cylinder for havekonsol	Cyl. f/lift. brack.	Zyl. f/Hebeträger
1	664322	CYLINDER KPL. Ø90/60 - 893/1503	CYLINDER CPL
1	801076	PAKNINGSSÆT D-Ø90/Ø60	GASKET SET DOUBLE
2	664320	CYLINDERØR Ø100/Ø90 X 770 MM	CYLINDER TUBE
3	14408610	STÅLMØTRIK UNF 1"	STEEL NUT
4	801018	SKIVE Ø89 X 26 X 8 MM	WASHER
5	13348000	NUTRING 90 X 70 X 12 MM	OIL SEAL
6	801017	MANCHETHOLDER Ø90/Ø25 MM	OIL SEAL HOLDER
7	13316900	O-RING Ø59.2 X 5.7 MM	O-RING
8	801094	STEMPELSTYR Ø90/Ø60 X 103 MM	PISTON GUIDE
9	13318500	O-RING Ø80 X 5 MM	O-RING
10	13388500	AFSTRYGGER 60 X 70 X 7/10 MM	WIPER
11	801012	TOPMØTRIK Ø121.7/Ø71.2 X 53 MM	TOP NUT
12	14654500	SEEGERRING UDV. Ø80 MM	CIRCLIP
13	13312000	O-RING Ø19.2 X 3 MM	O-RING
14	664321	STEMPELSTANG Ø60 X 860 MM	PISTON ROD
15	671408	NAGLE Ø25/Ø8 X 105 MM	NAGEL
16	14538700	TRAKTORSPLIT Ø8 MM	LINCH PIN
17	645794	NAGLE Ø30-132/148	PIN
			ZYLINDER KPL.
			DICHTSATZ DOPPEL
			ZYLINDERROHR
			STAHMUTTER
			SCHREIBE
			MANSCHETTE
			HALTER F/MANSCHETTE
			O-RING
			KOLBENFUEHRUNG
			O-RING
			ABSTREIFER
			KOPFMUTTER
			SICHERUNGSRING
			O-RING
			KOLBENSTANGE
			PIN
			SICHERUNGSSPLINT
			NAGEL



6,5T-7,5T-BT/BTS



Skråstillet bundslidske

Inclined bottom slide

Schraege Bodenrutsche

1 646484	SKRÅPLADE	INCLINED PLATE	SCHRAEGPLATTE
2 646489	GUMMIPLADE 6 X 100 X 1435 MM	RUBBER PLATE	GUMMIPLATTE
3 14321700	BREDDEBOLT M8 X 20 MM	CARRIAGE BOLT	BOLZEN
4 14410400	MØTRIK M8	NUT	MUTTER
5 646486	HØJRE AFSTANDSSTYKKE	SPACER - RH	ABSTANDSTUECK - R.
6 646487	VENSTRE AFSTANDSSTYKKE	SPACER - LH	ABSTANDSTUECK L.
7 14085400	SÆTSKRUE GROV M8 X 20 MM	SET SCREW	SETZSCHRAUBE
8 14430300	LÅSEMØTRIK M8	LOCK NUT	GEGENMUTTER
9 646488	HOLDER F/SKRÅPLADE 2 X 70 X 2080 MM	INCLINED PLATE HOLDER	HALTER F/SCHRAEGPLATTE
10 14323700	BREDDEBOLT M10 X 25 MM	CARRIAGE BOLT	BOLZEN
11 14440500	SVER SKIVE 13 X 24 X 2.5 MM	WASHER	SCHIEBE
12 14462600	CENTERFJEDERSKIVE M10	SPRING WASHER	FEDERSCHIEBE
13 14410600	MØTRIK M10	NUT	MUTTER
14 14480200	SPEC. SKIVE 25 X 8.5 X 2.0 MM	SPECIAL WASHER	SPEZIALSCHIEBE
15 14482800	SPEC. SKIVE 35 X 8.5 X 3 MM	SPECIAL WASHER	SPEZIALSCHIEBE

Index

15044902	23	6/00							491592	15	19/00							
15048600	15	5/01	15	7/01					500016	19	7/00	19	7/01					
15048800	15	5/00	15	7/00					500017	16	5/00	16	5/01					
15048900	12	6/01							500039	10	6/00	38	8/00					
15049600	34	6/00							500043	16	7/00	16	7/01					
15049800	30	8/00							500044	20	7/00	20	7/01	37	8/00			
15073300	24	6/00							500051	1	6/01							
15073500	27	8/00							500117	1	19/00							
15073501	22	8/00							500119	43	19/00							
15075000	7	6/01							500121	2	19/00							
15076600	5	5/00							500130	21	14/00							
15076601	5	5/01							500132	4	16/00							
15085301	21	6/01							500143	9	19/00							
15085400	23	6/01							500145	11	19/00							
15087800	25	6/00							500146	10	19/00							
15095902	17	6/01							500148	38	19/00							
15095904	20	6/01							500149	39	19/00							
15095905	3	6/01							500163	10	1/00	11	2/00	10	3/00			
15095999	5	6/01							500280	5	19/00							
15143600	31	6/00	9	6/01					500282	6	19/00							
15143800	9	5/01	9	7/01					500296	2	14/00							
15144100	27	6/00	13	6/01					501503	11	15/00	7	16/00					
15145600	28	8/00							613116	14	1/00	17	2/00	14	3/00			
15146100	26	8/00							630106	2	4/00							
15150400	8	4/00							638704	1	5/01							
15190300	9	5/00	9	7/00					639408	9	2/00	8	15/00	6	16/00	7	17/00	
15194000	12	5/00	12	5/01	12	7/00	12	7/01	639501	6	1/00	3	2/00					
15321027	10	2/00	9	15/00					639504	6	1/00	3	2/00					
15330100	12	18/00							639506	7	1/00	5	2/00					
15330900	5	6/00	40	6/01	50	8/00			639521	2	15/00	2	16/00					
15834900	53	8/00							639522	2	15/00	2	16/00					
2682905	13	15/00							639525	3	15/00	4	15/00	4	16/00			
350000	8	11/00	8	11/01	8	12/00			639807	7	1/00							
350200	11	11/00	11	11/01	11	12/00			639810	4	15/00							
350201	9	11/00	9	11/01	9	12/00			639811	3	15/00							
350300	6	8/00	1	9/00	36	12/00			639818	5	2/00							
350301	18	6/00	35	11/00					639819	7	2/00							
350508	1	13/00							639820	8	2/00							
350509	2	13/00	1	13/01	2	13/01			639833	14	6/00							
350521	24	19/00							639837	48	8/00							
350522	12	19/00							639852	2	6/01							
350523	25	19/00							640108	22	1/00	20	2/00	22	3/00			
350618	3	13/00							645713	12	13/00							
351519	20	19/00							645719	9	13/00	9	13/01					
351523	7	13/00	7	13/01					645721	17	1/00	14	2/00	17	3/00			
351543	13	19/00							645794	13	13/00	12	20/00	17	22/00			
380103	4	4/00							645865	1	15/00							
380104	9	4/00							645868	10	15/00							
380111	11	4/00							645870	1	16/00							
411124	4	20/00							645871	2	16/00							
443762	22	19/00							645872	3	16/00							
471234	7	4/00							646023	6	3/00							
471235	3	4/00							646024	5	3/00							
471690	14	13/01							646025	7	3/00							
491306	1	14/00							646027	1	17/00							
491307	2	14/00							646029	2	17/00							
491366	15	13/00	15	13/01					646031	3	17/00							

 Index

646134	5	1/00	4	2/00	801018	4	22/00		
646207	18	1/00	23	2/00	18	3/00	801076	1	22/00
646208	6	1/00			801094	8	22/00		
646209	3	2/00							
646294	7	10/01	10	21/00					
646295	3	13/01							
646296	4	13/01							
646297	1	13/01							
646298	2	13/01							
646311	1	2/00							
646318	1	1/00	1	3/00					
646344	8	10/00	19	11/00	19	11/01	19	12/00	
646420	2	2/00							
646424	2	1/00	2	3/00					
646484	1	23/00							
646486	5	23/00							
646487	6	23/00							
646488	9	23/00							
646489	2	23/00							
646565	9	16/00							
646566	10	16/00							
647004	9	18/00							
647005	13	18/00							
647559	11	1/00	18	2/00	11	3/00			
660008	15	1/00	15	2/00	15	3/00			
660054	51	8/00							
660219	22	5/00	22	5/01					
661600	5	9/00	25	11/00	25	11/01	25	12/00	
661605	8	8/00	2	9/00					
661606	11	8/00	3	9/00					
664203	1	7/01							
664206	1	8/00							
664275	15	8/00	4	9/00					
664301	6	20/00							
664303	1	20/00							
664314	2	20/00							
664316	9	21/00							
664320	2	22/00							
664321	14	22/00							
664322	1	22/00							
665517	2	15/00							
665518	1	18/00							
667009	10	18/00							
667110	12	13/01							
670361	12	4/00							
670616	14	15/00							
671102	8	1/00	6	2/00	8	3/00			
671104	9	1/00	9	3/00	5	16/00			
671113	6	5/00	32	6/01	45	8/00			
671408	10	20/00	15	22/00					
672107	13	1/00	16	2/00	13	3/00			
672301	7	15/00	6	17/00					
672306	6	15/00	4	17/00					
672307	5	15/00	5	17/00					
740614	1	4/00							
801012	11	22/00							
801017	6	22/00							

